



US00D705017S

(12) **United States Design Patent**
Siebel

(10) **Patent No.:** **US D705,017 S**
(45) **Date of Patent:** **** May 20, 2014**

- (54) **NAPKIN DISPENSER**
- (71) Applicant: **SCA Hygiene Products AB**, Göteborg (SE)
- (72) Inventor: **Justin Siebel**, Chatham, NJ (US)
- (73) Assignee: **SCA Hygiene Products AB**, Gothenburg (SE)
- (**) Term: **14 Years**
- (21) Appl. No.: **29/467,398**
- (22) Filed: **Sep. 18, 2013**

- D379,569 S * 6/1997 Strickland et al. D6/518
- D493,312 S * 7/2004 Collins et al. D6/518
- D507,138 S 7/2005 Hochtritt et al.
- 6,981,610 B2 * 1/2006 Smiley et al. 221/33
- D526,165 S 8/2006 Burns et al.
- D527,587 S 9/2006 Zeiron
- D528,871 S 9/2006 Zeiron
- 7,134,571 B2 11/2006 Hochtritt et al.
- D552,428 S 10/2007 Zeiron
- D568,655 S 5/2008 Friesen et al.

(Continued)

FOREIGN PATENT DOCUMENTS

- AU 307524 S 6/2006
- RU 67907 S 9/2008

OTHER PUBLICATIONS

Office Action dated Sep. 12, 2012, issued in corresponding Russian Patent Application No. 2012501546, and an English Translation thereof.

Primary Examiner — Terry Wallace

(74) *Attorney, Agent, or Firm* — Buchanan Ingersoll & Rooney PC

Related U.S. Application Data

- (62) Division of application No. 29/414,208, filed on Feb. 27, 2012, now Pat. No. Des. 692,730.

Foreign Application Priority Data

- (30) Aug. 30, 2011 (EM) 001293070

- (51) **LOC (10) Cl.** **07-06**

- (52) **U.S. Cl.**
USPC **D7/631**

- (58) **Field of Classification Search**
USPC D7/631–634; D6/518–525, 553, 567, D6/574, 542–545; 206/409, 233, 494, 206/77.1; 221/30–60, 208, 227, 279, 282, 221/284, 14, 92, 649, 146.1; 211/13.1, 211/86.01, 87.01

See application file for complete search history.

References Cited

U.S. PATENT DOCUMENTS

- (56) 2,426,136 A 8/1947 Agamaite, Jr.
- 2,852,158 A 9/1958 Jones et al.
- 4,838,454 A * 6/1989 Salzman et al. 221/57
- D371,708 S * 7/1996 Haley et al. D6/518

- (57) **CLAIM**
The ornamental design for a napkin dispenser, as shown and described.

DESCRIPTION

FIG. 1 is a top plan view of a dispensing portion of a napkin dispenser.

FIG. 2 is a bottom view thereof.

FIG. 3 is a side elevational view thereof.

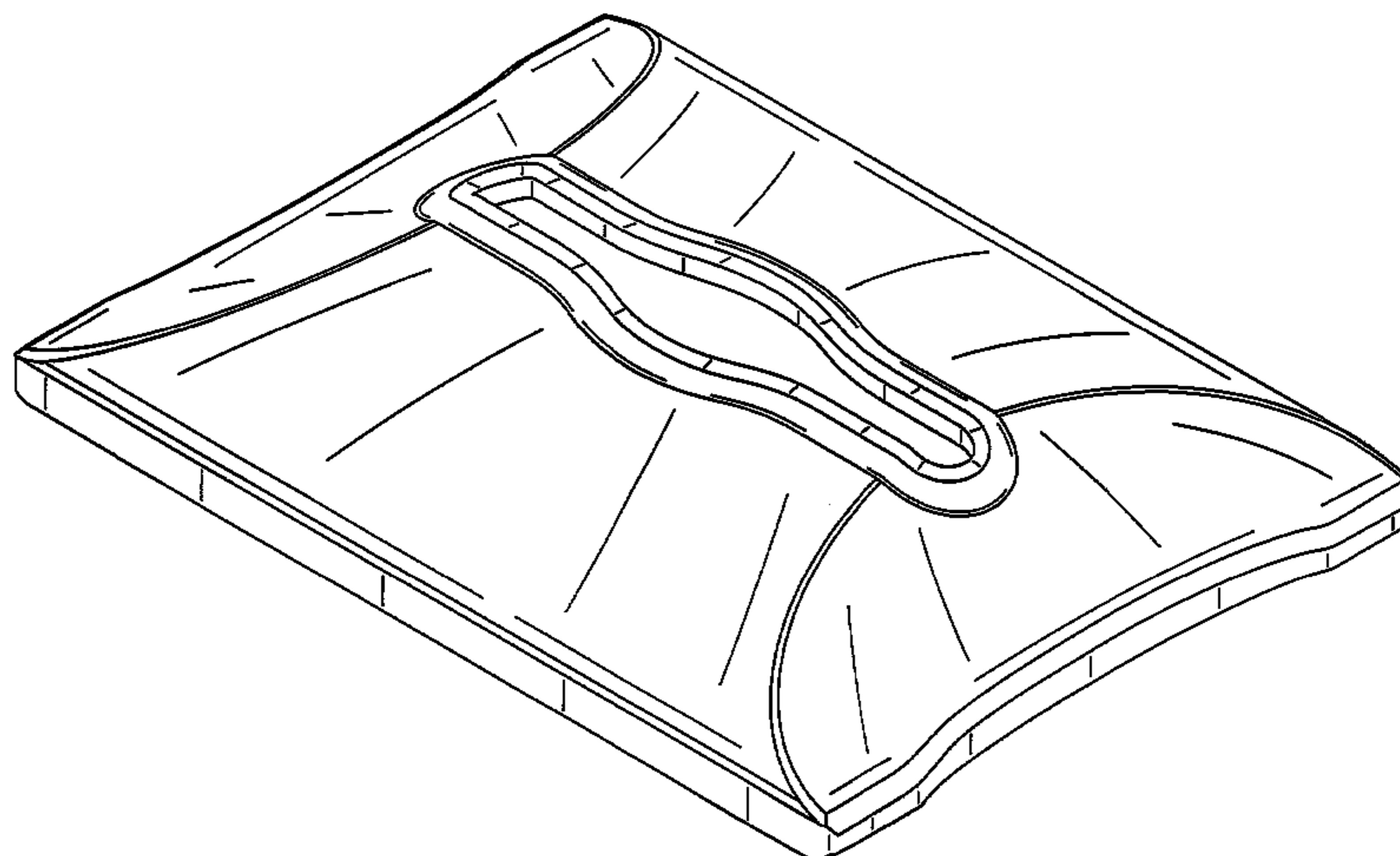
FIG. 4 is a side elevational view thereof, showing the side opposite the side shown in FIG. 3.

FIG. 5 is a front elevational view thereof.

FIG. 6 is a rear elevational view thereof; and,

FIG. 7 is a perspective view thereof.

1 Claim, 4 Drawing Sheets



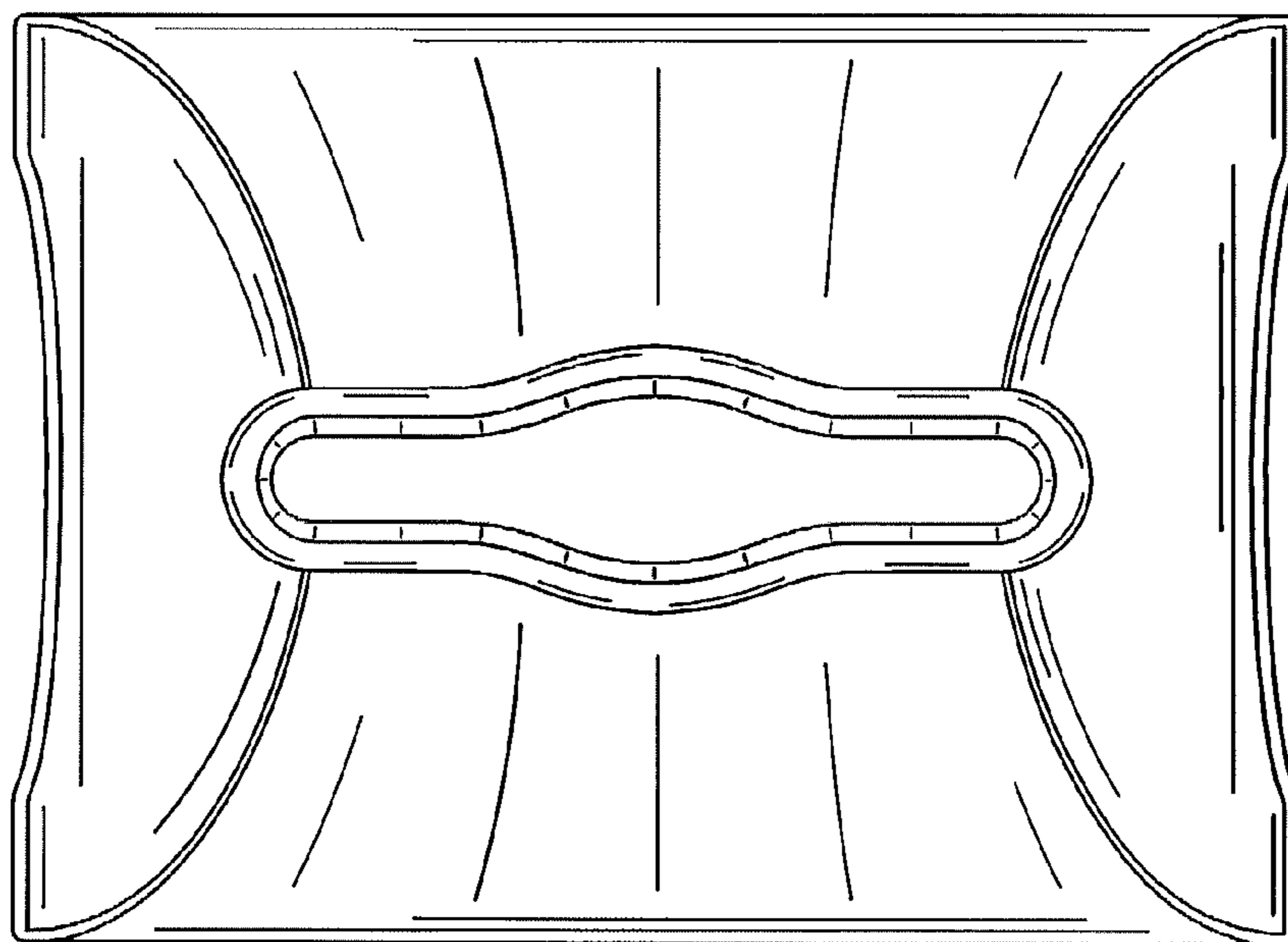


FIG. 1

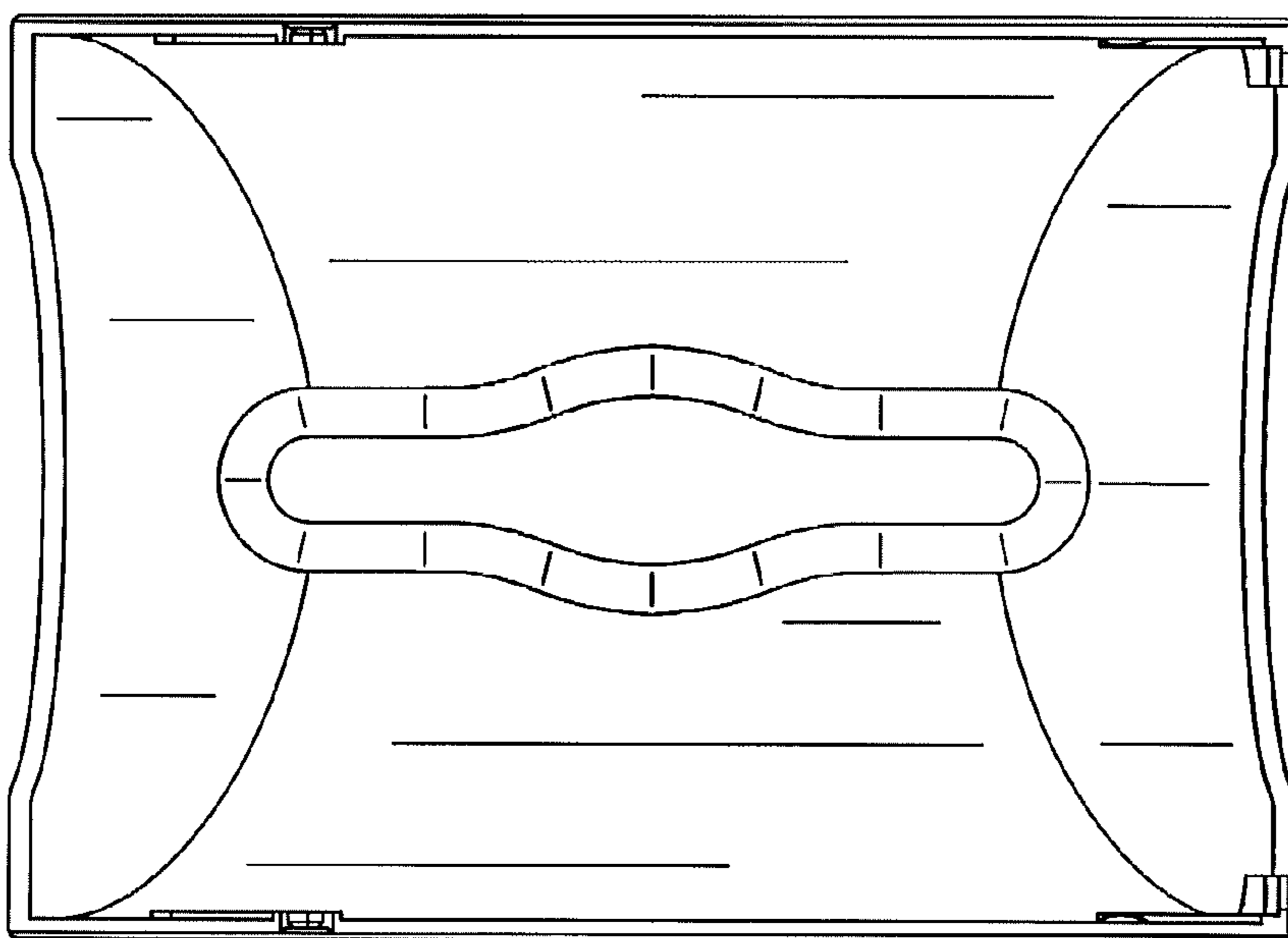


FIG. 2

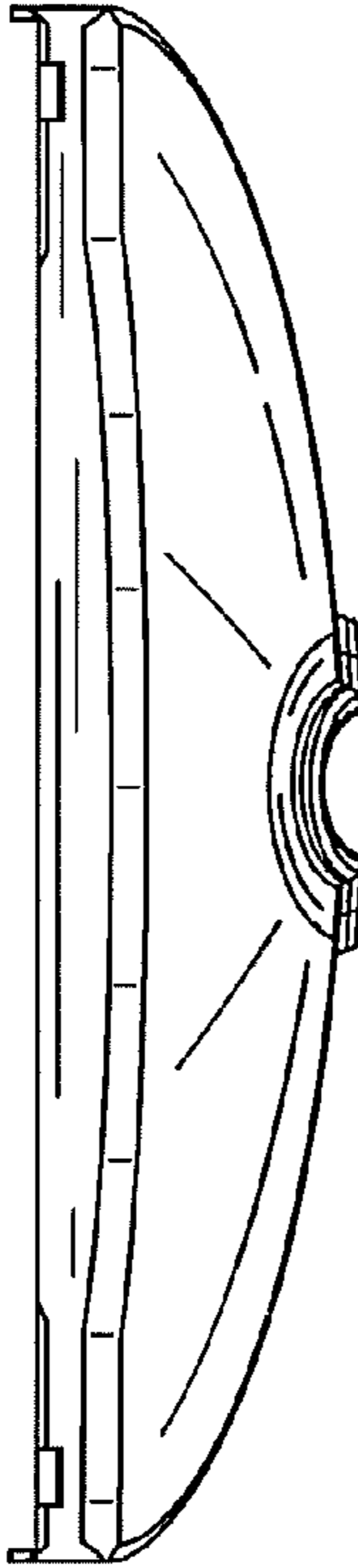


FIG. 3

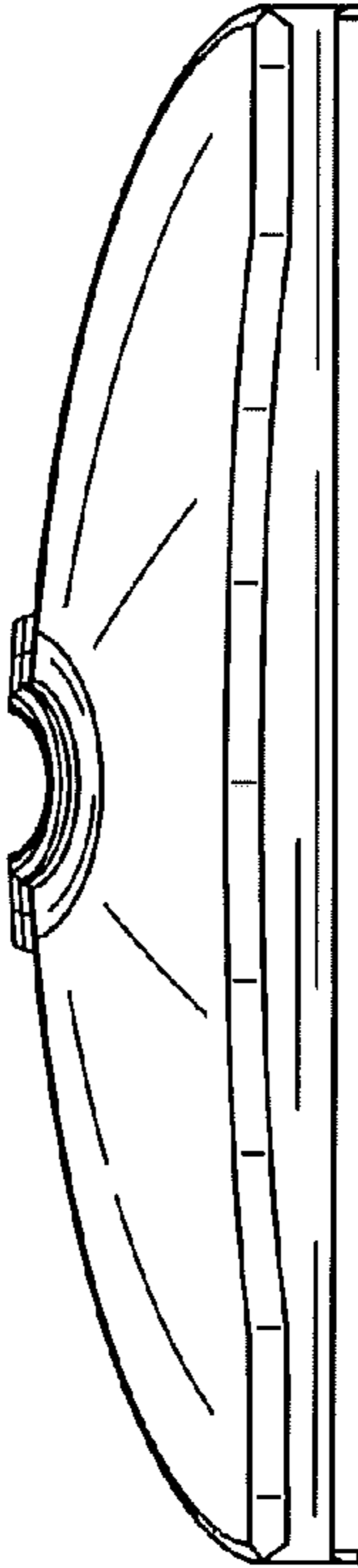


FIG. 4

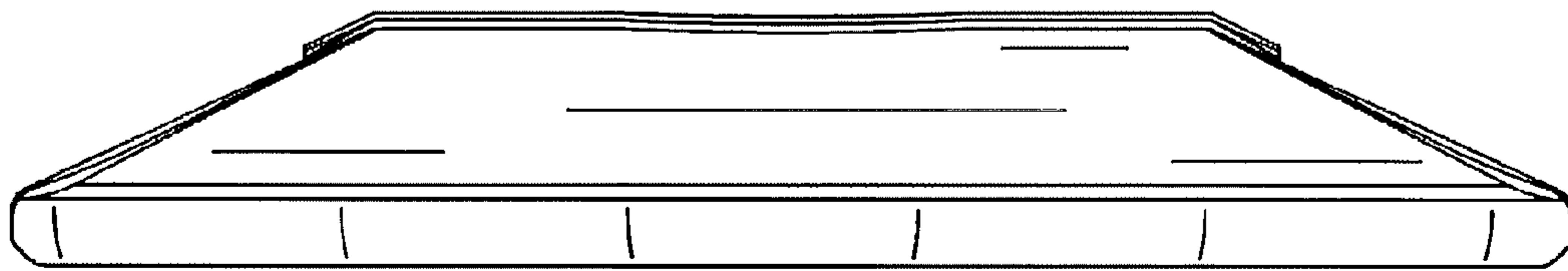


FIG. 5

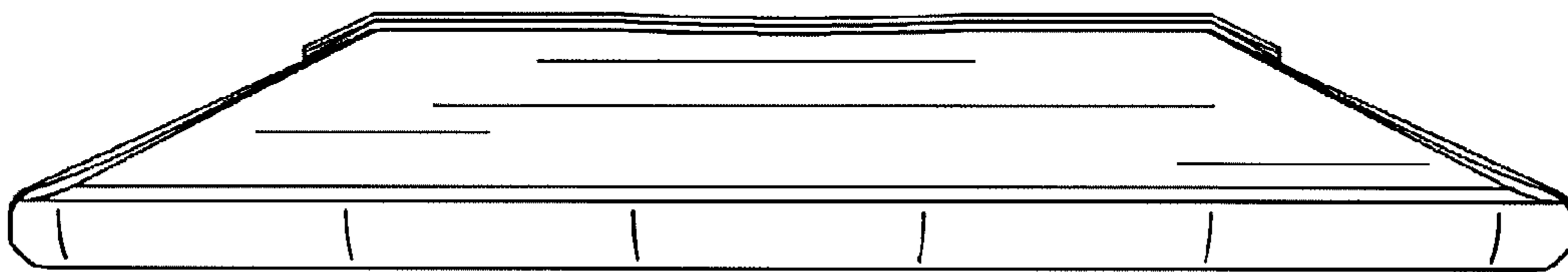


FIG. 6

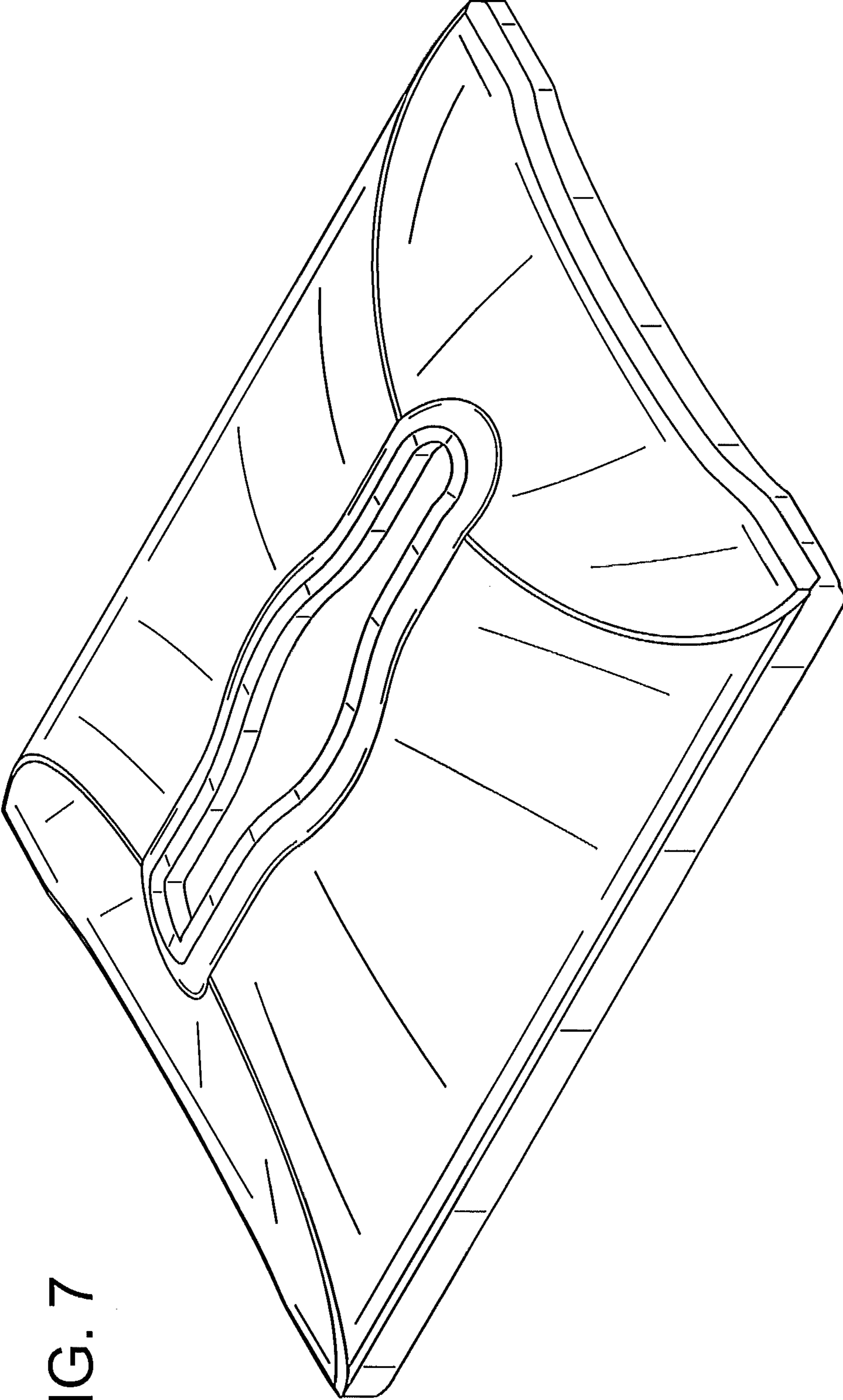


FIG. 7