



US00D705016S

(12) **United States Design Patent**  
**Wilson, Jr. et al.**

(10) **Patent No.:** **US D705,016 S**  
(45) **Date of Patent:** **\*\* May 20, 2014**

- (54) **NAPKIN DISPENSER**
- (71) Applicant: **SCA Hygiene Products AB**, Göteborg (SE)
- (72) Inventors: **Rodney A. Wilson, Jr.**, Wilmington, DE (US); **Leo Gonzales**, West Chester, PA (US)
- (73) Assignee: **SCA Hygiene Products AB**, Gothenburg (SE)
- (\*\*) Term: **14 Years**
- (21) Appl. No.: **29/467,397**
- (22) Filed: **Sep. 18, 2013**

D371,708 S *	7/1996	Haley et al.	.....	D6/518
6,585,129 B2 *	7/2003	Moody et al.	.....	221/44
D493,312 S *	7/2004	Collins et al.	.....	D6/518
D507,138 S	7/2005	Hochtritt et al.		
6,981,610 B2 *	1/2006	Smiley et al.	.....	221/33
D526,165 S	8/2006	Burns et al.		
D527,587 S	9/2006	Zeiron		
D528,871 S	9/2006	Zeiron		
7,134,571 B2	11/2006	Hochtritt et al.		

(Continued)

**FOREIGN PATENT DOCUMENTS**

AU	307524 S	6/2006
RU	67907 S	9/2008

**OTHER PUBLICATIONS**

Office Action dated Sep. 12, 2012, issued in corresponding Russian Patent Application No. 2012501546, and an English Translation thereof.

*Primary Examiner* — Terry Wallace  
(74) *Attorney, Agent, or Firm* — Buchanan Ingersoll & Rooney PC

**Related U.S. Application Data**

- (62) Division of application No. 29/414,208, filed on Feb. 27, 2012, now Pat. No. Des. 692,730.

**Foreign Application Priority Data**

Aug. 30, 2011 (EM) ..... 001293070

- (51) **LOC (10) Cl.** ..... **07-06**
- (52) **U.S. Cl.**  
USPC ..... **D7/631**

(58) **Field of Classification Search**

USPC ..... D7/631-634; D6/518-525, 553, 567, D6/574, 542-545; 206/409, 233, 494, 206/77.1; 221/30-60, 208, 227, 279, 282, 221/284, 14, 92, 649, 146.1; 211/13.1, 211/86.01, 87.01

See application file for complete search history.

(56) **References Cited**

**U.S. PATENT DOCUMENTS**

2,426,136 A	8/1947	Agamaite, Jr.	
2,852,158 A	9/1958	Jones et al.	
4,838,454 A *	6/1989	Salzmann et al.	..... 221/57

(57) **CLAIM**

The ornamental design for a napkin dispenser, as shown and described.

**DESCRIPTION**

FIG. 1 is a top plan view of a napkin dispenser showing our new design.

FIG. 2 is a bottom view thereof.

FIG. 3 is a side elevational view thereof.

FIG. 4 is a side elevational view thereof showing a side opposite that shown in FIG. 3.

FIG. 5 is a front elevational view thereof.

FIG. 6 is a rear elevational view thereof; and,

FIG. 7 is a perspective view thereof.

**1 Claim, 4 Drawing Sheets**



(56)

**References Cited**

U.S. PATENT DOCUMENTS

D552,428 S 10/2007 Zeiron  
D568,655 S 5/2008 Friesen et al.  
7,543,719 B2 6/2009 Young et al.  
D604,996 S 12/2009 Kuehneman et al.  
D613,536 S 4/2010 Pattberg  
D623,452 S 9/2010 McNeely et al.  
D630,873 S 1/2011 Kuehneman et al.

D648,187 S \* 11/2011 Kuehneman et al. .... D7/631  
D649,820 S 12/2011 Stutzel  
D666,035 S 8/2012 Velazquez et al.  
D675,851 S 2/2013 Wilson  
2003/0019880 A1 \* 1/2003 Timmers et al. .... 221/47  
2005/0056657 A1 3/2005 Hochtritt et al.  
2005/0150898 A1 \* 7/2005 Young et al. .... 221/53  
2006/0071012 A1 4/2006 Reinsel et al.  
2008/0257903 A1 \* 10/2008 Hirasawa et al. .... 221/52

\* cited by examiner

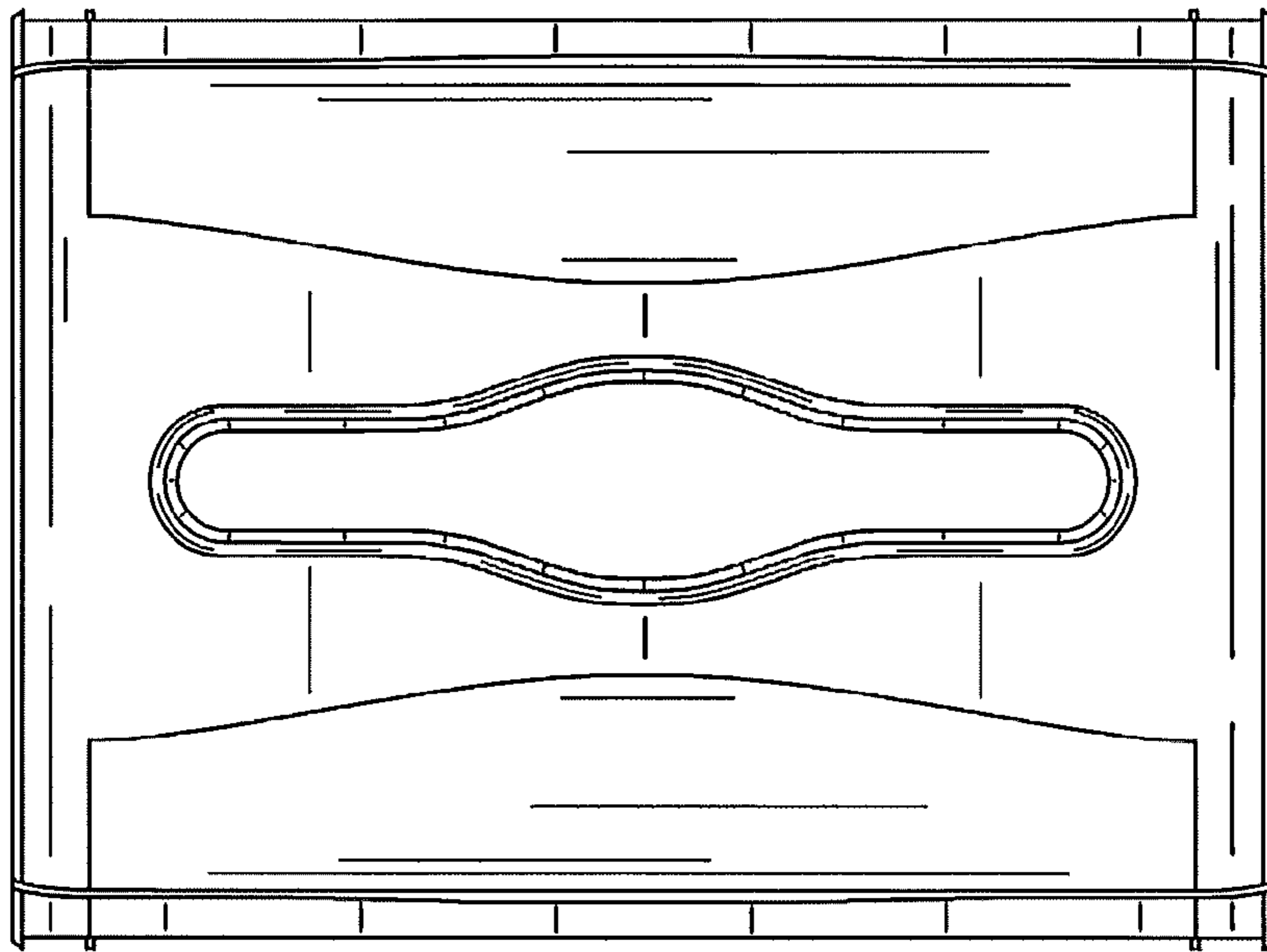


FIG. 1

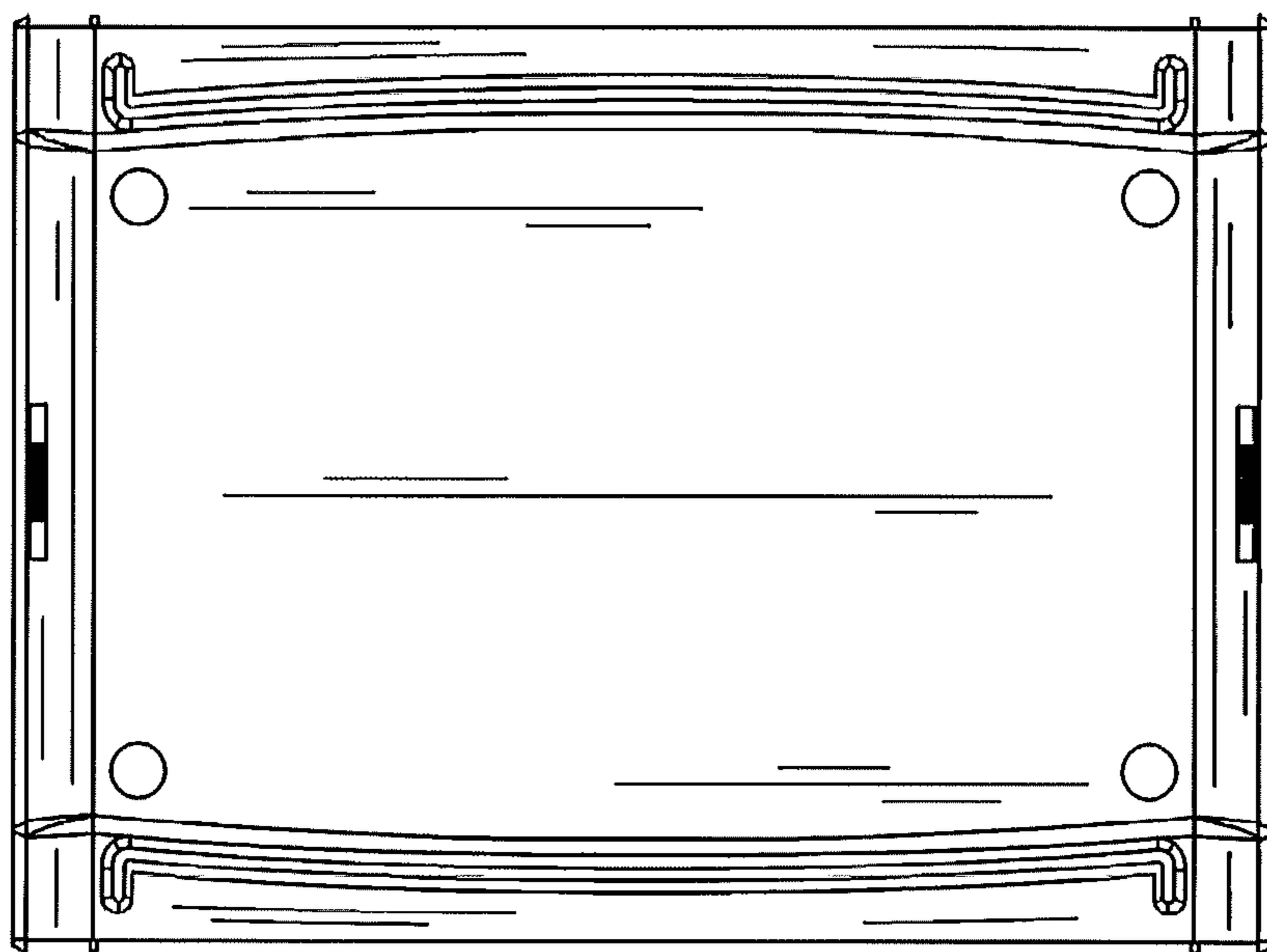


FIG. 2



FIG. 3



FIG. 4

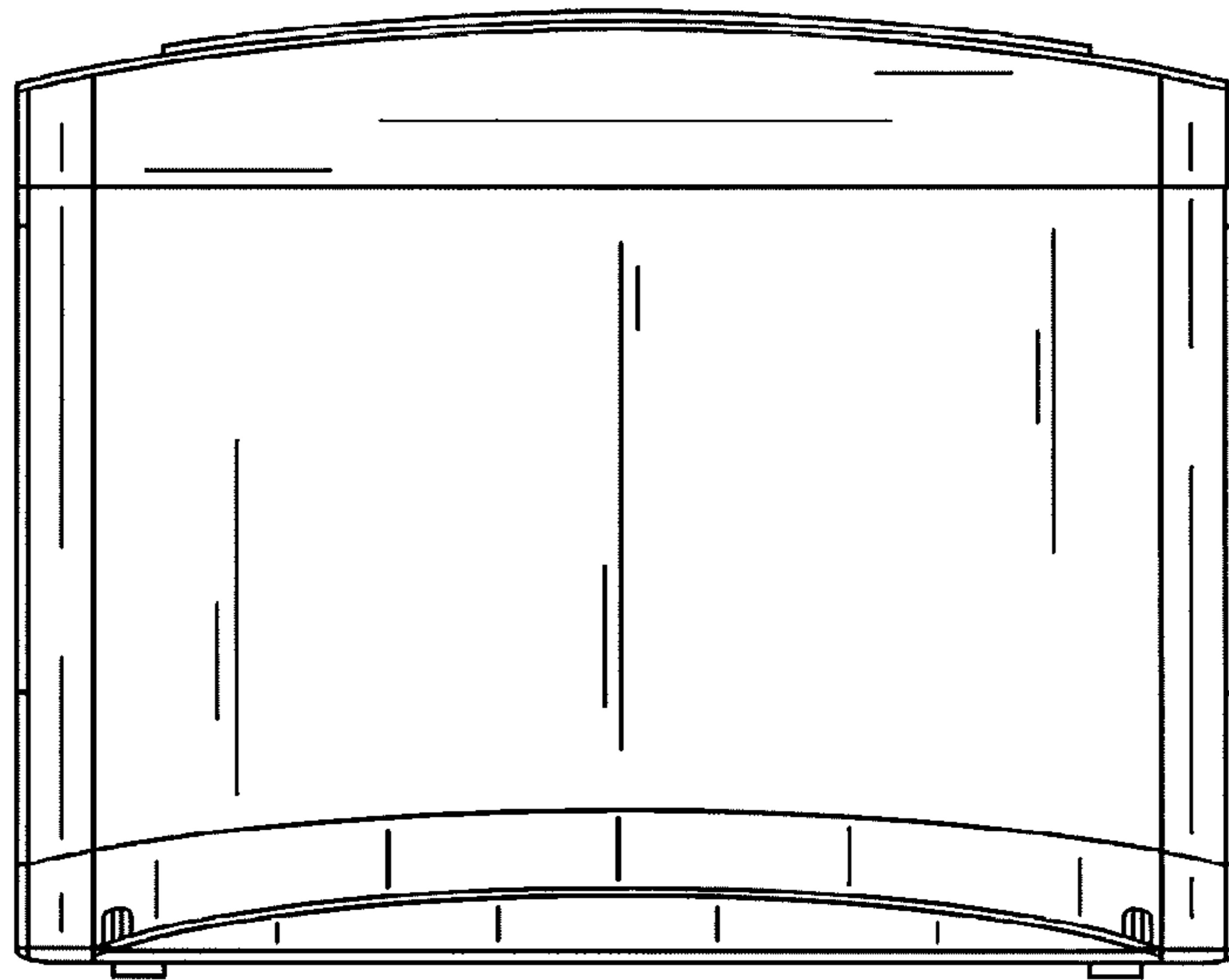


FIG. 5

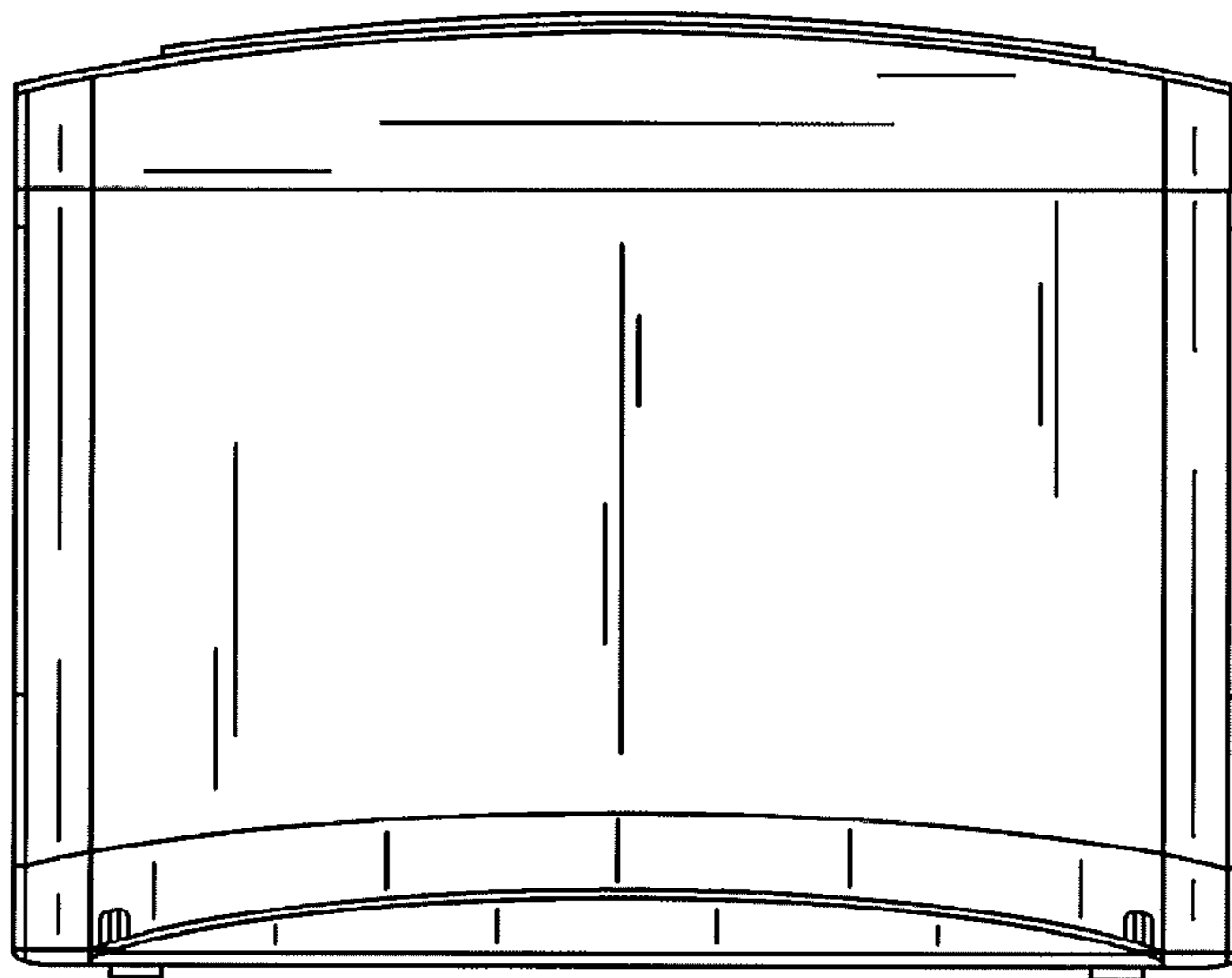


FIG. 6

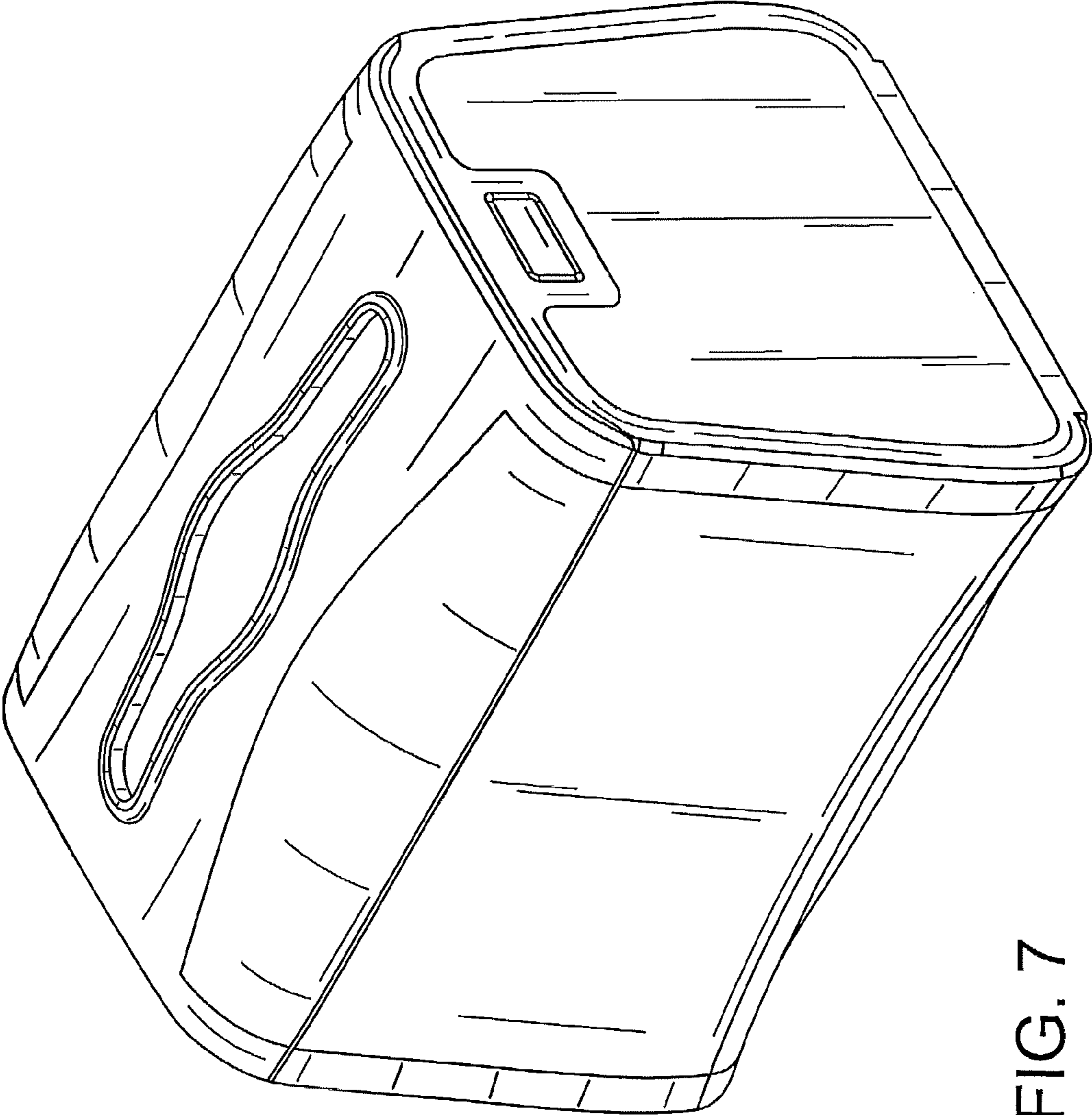


FIG. 7