



US00D705015S

(12) **United States Design Patent**
Wilson, Jr. et al.

(10) **Patent No.:** **US D705,015 S**
(45) **Date of Patent:** **** May 20, 2014**

- (54) **NAPKIN DISPENSER**
- (71) Applicant: **SCA Hygiene Products AB**, Göteborg (SE)
- (72) Inventors: **Rodney A. Wilson, Jr.**, Wilmington, DE (US); **Justin Siebel**, Chatham, NJ (US)
- (73) Assignee: **SCA Hygiene Products AB**, Gothenburg (SE)

- D371,708 S * 7/1996 Haley et al. D6/518
- 6,585,129 B2 * 7/2003 Moody et al. 221/44
- D493,312 S * 7/2004 Collins et al. D6/518
- D507,138 S 7/2005 Hochtritt et al.
- 6,981,610 B2 * 1/2006 Smiley et al. 221/33
- D526,165 S 8/2006 Burns et al.
- D527,587 S 9/2006 Zeiron
- D528,871 S 9/2006 Zeiron
- 7,134,571 B2 11/2006 Hochtritt et al.
- D552,428 S 10/2007 Zeiron

(Continued)

(**) Term: **14 Years**

FOREIGN PATENT DOCUMENTS

(21) Appl. No.: **29/467,394**

- AU 307524 S 6/2006
- RU 67907 S 9/2008

(22) Filed: **Sep. 18, 2013**

OTHER PUBLICATIONS

Related U.S. Application Data

(62) Division of application No. 29/414,208, filed on Feb. 27, 2012, now Pat. No. Des. 692,730.

Office Action dated Sep. 12, 2012, issued in corresponding Russian Patent Application No. 2012501546, and an English Translation thereof.

(30) **Foreign Application Priority Data**

Aug. 30, 2011 (EM) 001293070

Primary Examiner — Terry Wallace

(51) **LOC (10) Cl.** **07-06**

(74) *Attorney, Agent, or Firm* — Buchanan Ingersoll & Rooney PC

(52) **U.S. Cl.**
USPC **D7/631**

(58) **Field of Classification Search**
USPC D7/631–634; D6/518–525, 553, 567, D6/574, 542–545; 206/409, 233, 494, 206/77.1; 221/30–60, 208, 227, 279, 282, 221/284, 14, 92, 649, 146.1; 211/13.1, 211/86.01, 87.01
See application file for complete search history.

(57) **CLAIM**

The ornamental design for a napkin dispenser, as shown and described.

(56) **References Cited**

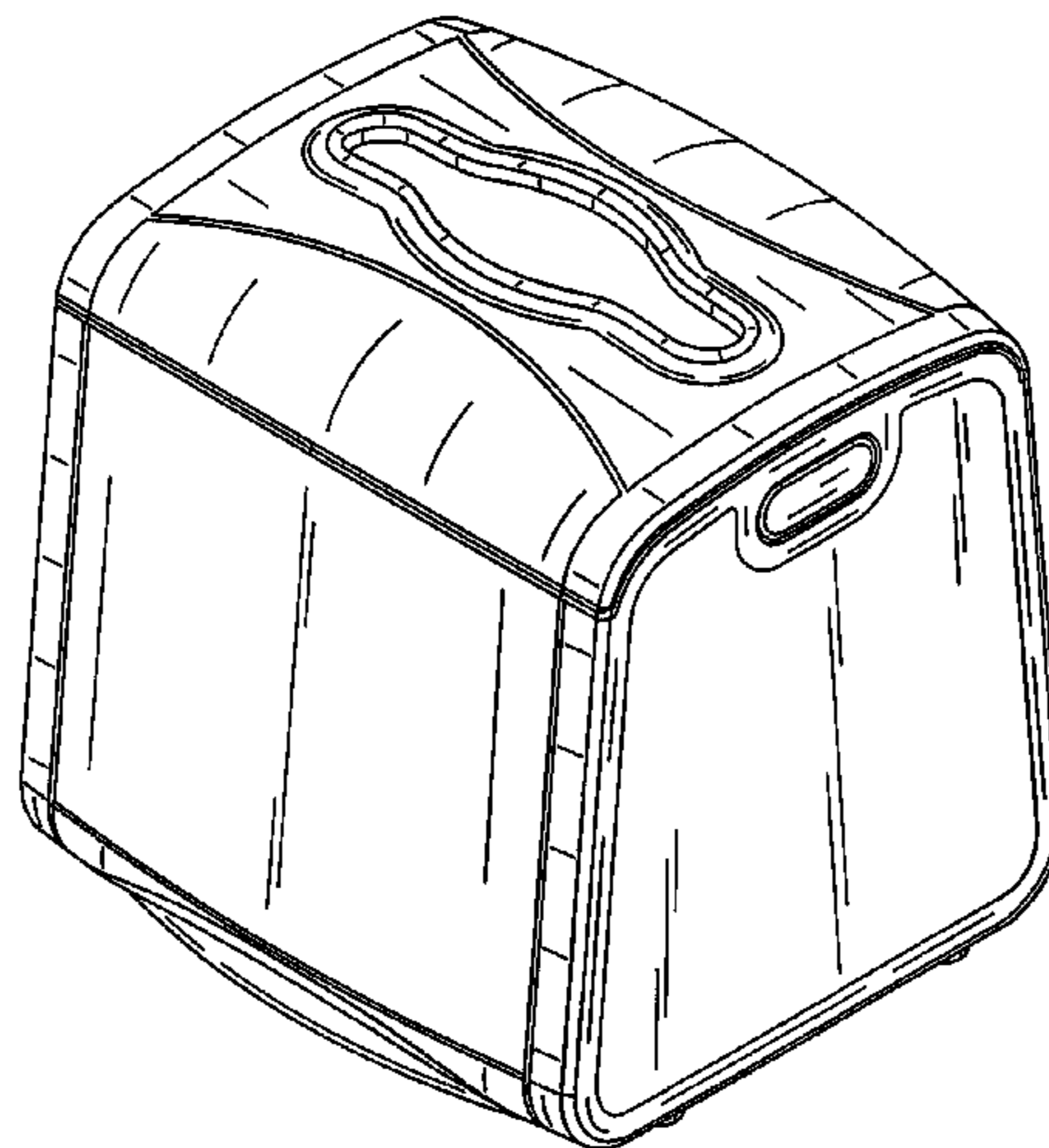
U.S. PATENT DOCUMENTS

- 2,426,136 A 8/1947 Agamaite, Jr.
- 2,852,158 A 9/1958 Jones et al.
- 4,838,454 A * 6/1989 Salzman et al. 221/57

DESCRIPTION

FIG. 1 is a top plan view of a napkin dispenser showing our new design.
FIG. 2 is a bottom view thereof.
FIG. 3 is a side elevational view thereof.
FIG. 4 is a side elevational view thereof showing a side opposite that shown in FIG. 3.
FIG. 5 is a front elevational view thereof.
FIG. 6 is a rear elevational view thereof; and,
FIG. 7 is a perspective view thereof.

1 Claim, 4 Drawing Sheets



(56)

References Cited

U.S. PATENT DOCUMENTS

D568,655 S 5/2008 Friesen et al.
7,543,719 B2 6/2009 Young et al.
D604,996 S 12/2009 Kuehneman et al.
D613,536 S 4/2010 Pattberg
D623,452 S 9/2010 McNeely et al.
D630,873 S 1/2011 Kuehneman et al.

D648,187 S * 11/2011 Kuehneman et al. D7/631
D649,820 S 12/2011 Stutzel
D666,035 S 8/2012 Velazquez et al.
D675,851 S 2/2013 Wilson
2003/0019880 A1 * 1/2003 Timmers et al. 221/47
2005/0056657 A1 3/2005 Hochtritt et al.
2005/0150898 A1 * 7/2005 Young et al. 221/53
2006/0071012 A1 4/2006 Reinsel et al.
2008/0257903 A1 * 10/2008 Hirasawa et al. 221/52

* cited by examiner

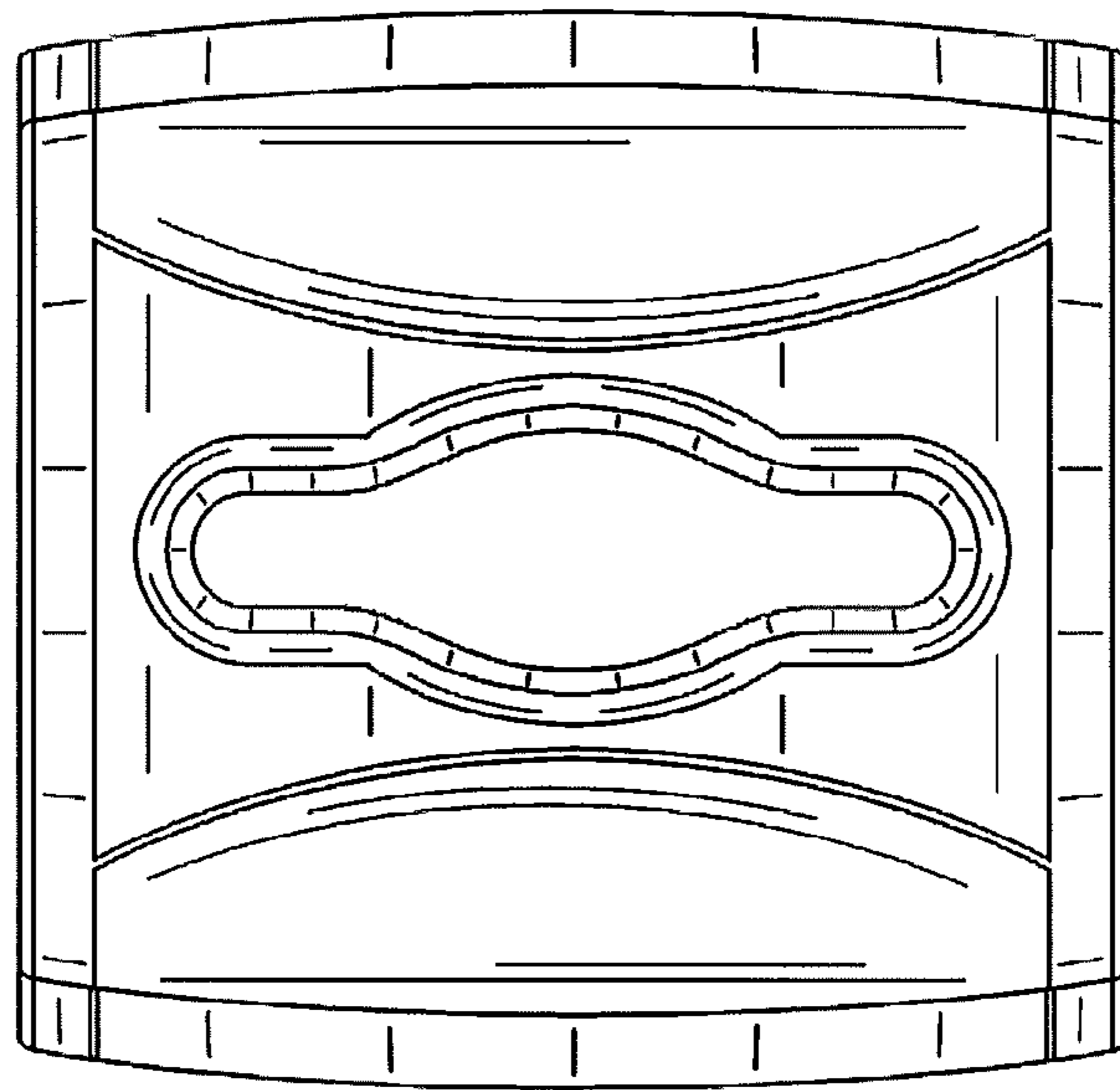


FIG. 1

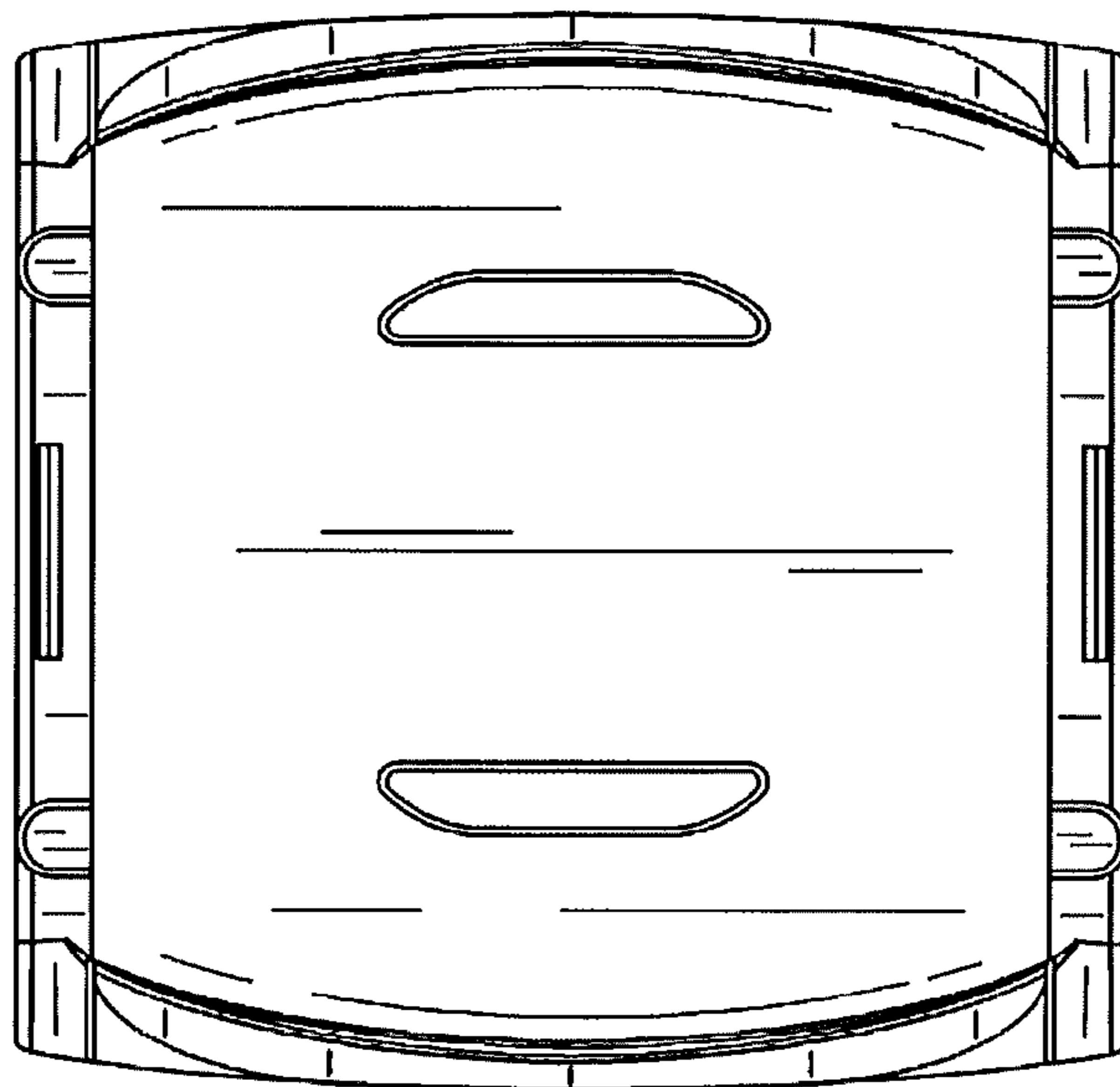


FIG. 2



FIG. 3



FIG. 4

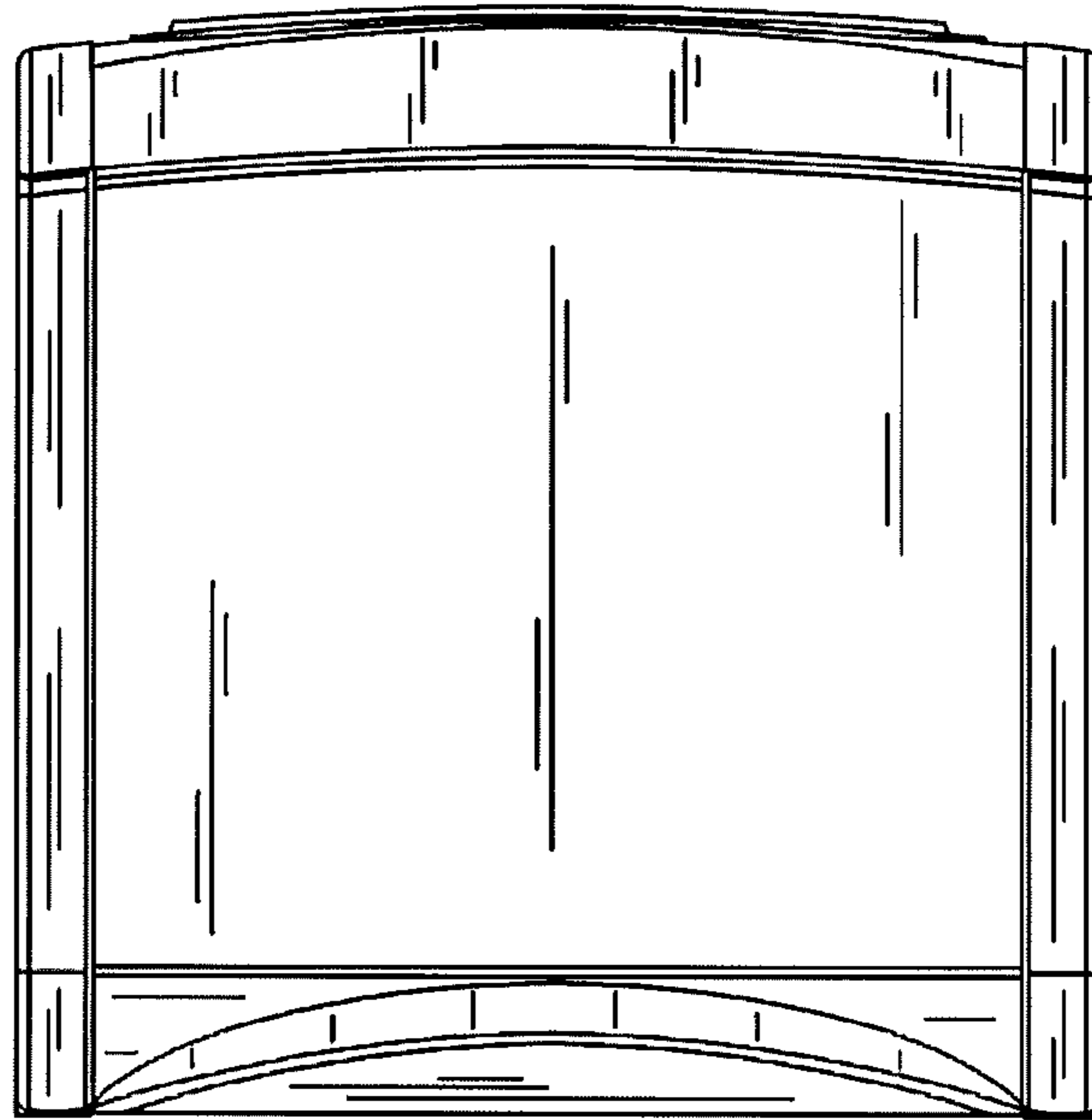


FIG. 5

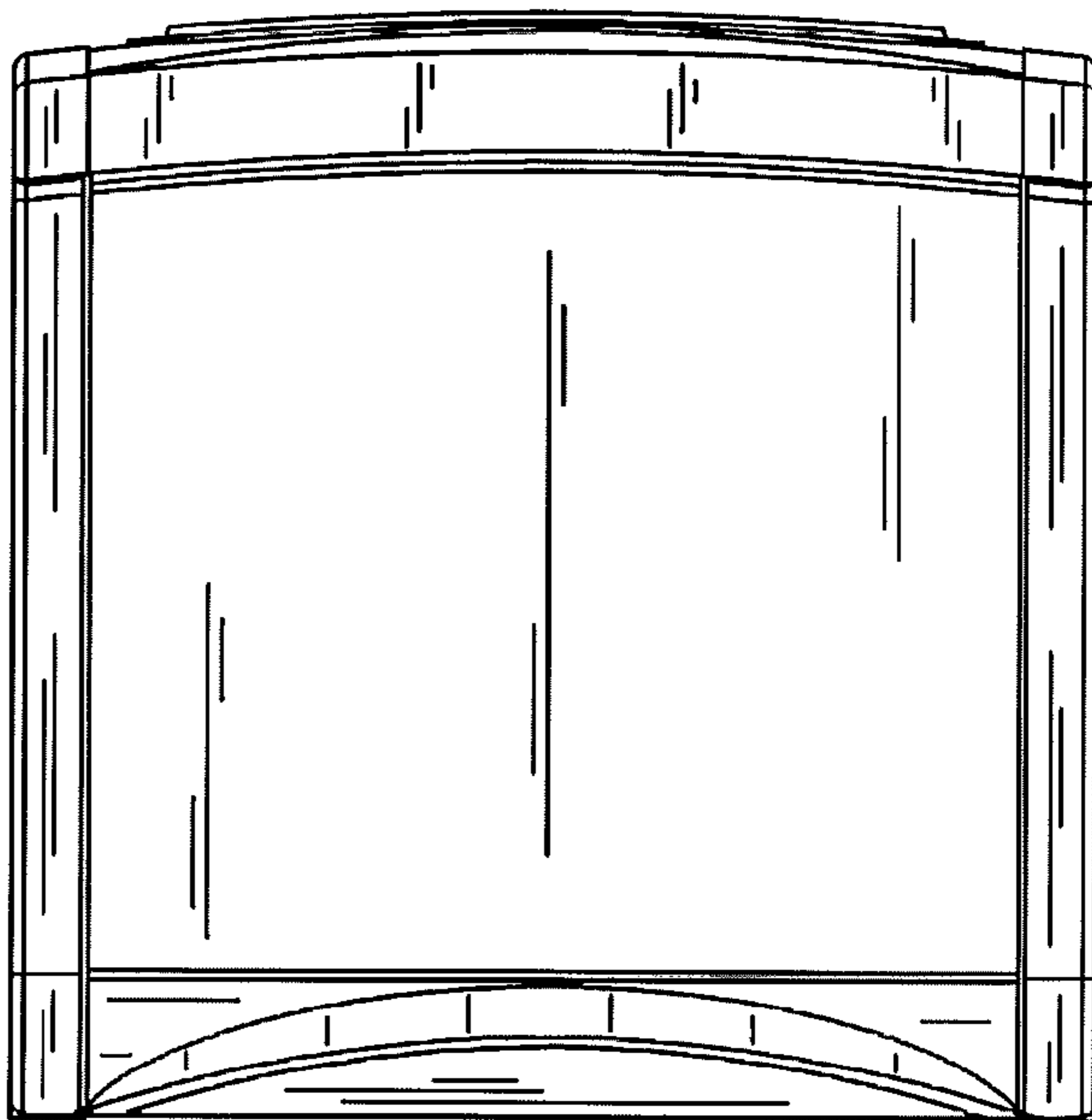


FIG. 6

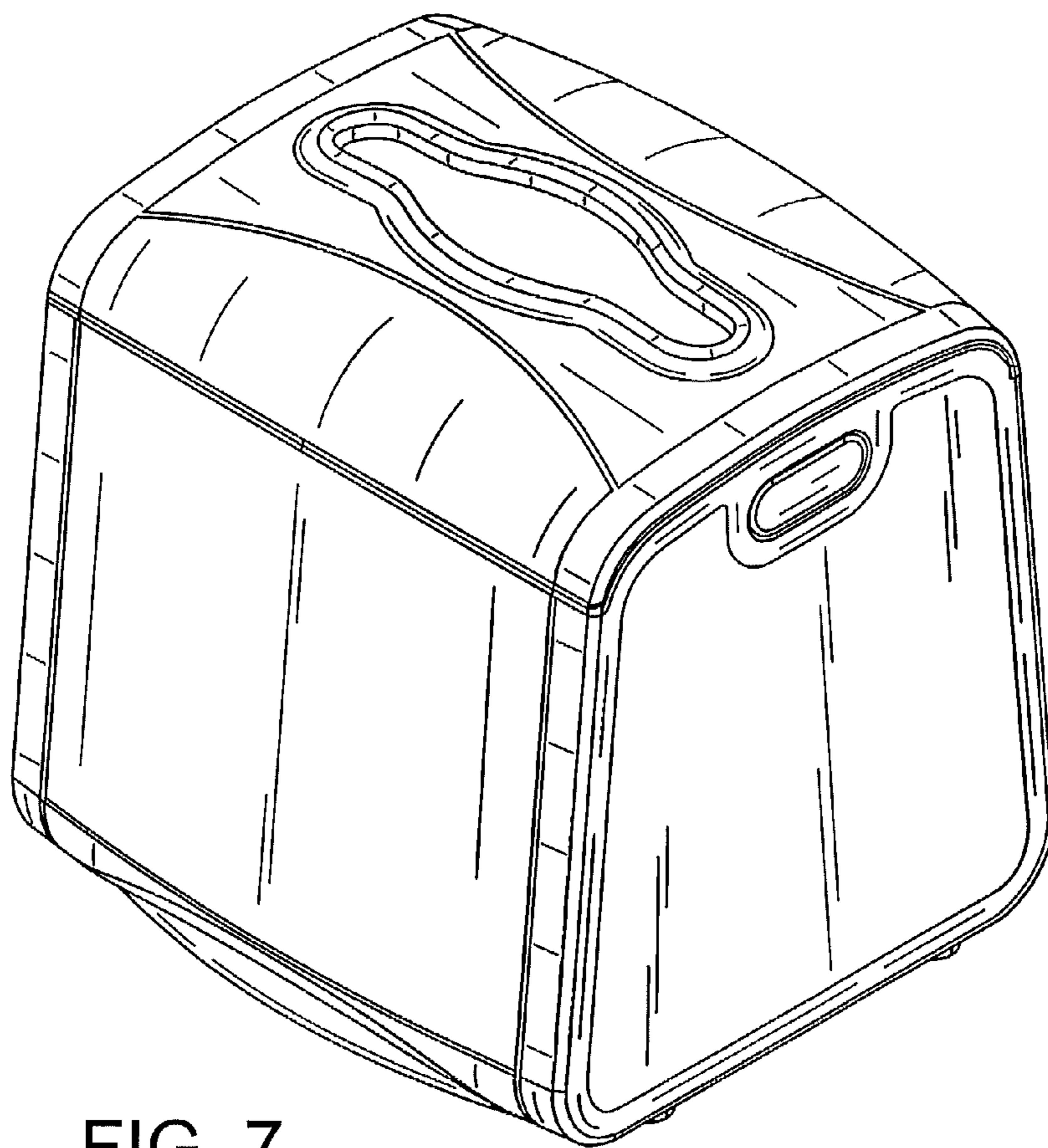


FIG. 7