



US00D705014S

(12) **United States Design Patent**  
**Kyle et al.**

(10) **Patent No.:** **US D705,014 S**  
(45) **Date of Patent:** **\*\* May 20, 2014**

(54) **CONTAINER**

(75) Inventors: **Troy Kyle**, Pembroke, MA (US); **Donna Roth**, Duxbury, MA (US); **John Mason**, Brookton, MA (US)

(73) Assignee: **Cool Gear International, LLC**, Plymouth, MA (US)

(\*\*) Term: **14 Years**

(21) Appl. No.: **29/416,388**

(22) Filed: **Mar. 21, 2012**

(51) **LOC (10) Cl.** ..... **07-01**

(52) **U.S. Cl.**

USPC ..... **D7/629**

(58) **Field of Classification Search**

USPC ..... D7/672, 601, 550.1, 551.1, 551.2, D7/551.3, 552.1, 552.2, 553.1, 553.2, D7/553.3, 553.4, 553.5, 553.7, 553.8, D7/554.1, 554.3, 554.4, 555, 557, 602, D7/629, 630, 538-542, 612-615, 584, 586, D7/587, 392.1, 709, 502, 608, 622; D9/414-432; D3/273, 201-206, 276, D3/283, 284, 295, 274, 302; 229/107, 406, 229/120, 125.17, 4.5, 938; 220/669-673, 220/675, 574-575, 573.1, 4.21, 660, 326, 220/236, 780-806, 4.24, 288, 260, 266, 220/306, 352, 356; 190/109, 110; 426/106; 206/216, 217, 541-550, 223, 467

See application file for complete search history.

(56) **References Cited**

**U.S. PATENT DOCUMENTS**

D256,994 S \* 9/1980 MacGregor ..... D3/205  
D257,555 S \* 11/1980 Ikushima et al. .... D9/425  
D328,030 S \* 7/1992 Dumbrell ..... D3/302  
D452,374 S \* 12/2001 Kim ..... D3/302  
D481,910 S \* 11/2003 Kim ..... D7/629  
D514,439 S \* 2/2006 Snedden et al. .... D9/425

D538,638 S \* 3/2007 Dunshee ..... D9/425  
D542,100 S \* 5/2007 Kim ..... D7/629  
D556,517 S \* 12/2007 Lown et al. .... D7/629  
D590,706 S \* 4/2009 Doliwa et al. .... D9/425  
D601,381 S \* 10/2009 Stamper ..... D7/505  
D610,879 S \* 3/2010 Kim ..... D7/629  
D615,821 S \* 5/2010 Stamper ..... D7/541  
D618,515 S \* 6/2010 Roth et al. .... D7/629  
D632,931 S \* 2/2011 Roth et al. .... D7/629  
D636,641 S \* 4/2011 Smyers ..... D7/629  
D646,127 S \* 10/2011 Lindsay et al. .... D7/629  
D651,477 S \* 1/2012 Nie ..... D7/629  
D652,265 S \* 1/2012 Lindsay et al. .... D7/629  
D652,686 S \* 1/2012 Lindsay et al. .... D7/629  
D656,369 S \* 3/2012 Everson ..... D7/629  
D657,204 S \* 4/2012 Seehoff et al. .... D7/629

(Continued)

*Primary Examiner* — Ian Simmons

*Assistant Examiner* — Shannon Morgan

(74) *Attorney, Agent, or Firm* — Edwards Wildman Palmer LLP; Steven M. Jensen

(57) **CLAIM**

The ornamental design for a container, as shown and described.

**DESCRIPTION**

FIG. 1 is a top, front, right side perspective view of a container showing our new design;

FIG. 2 is a bottom, front, right side perspective view thereof;

FIG. 3 is a front side elevational view thereof;

FIG. 4 is a rear side elevational view thereof;

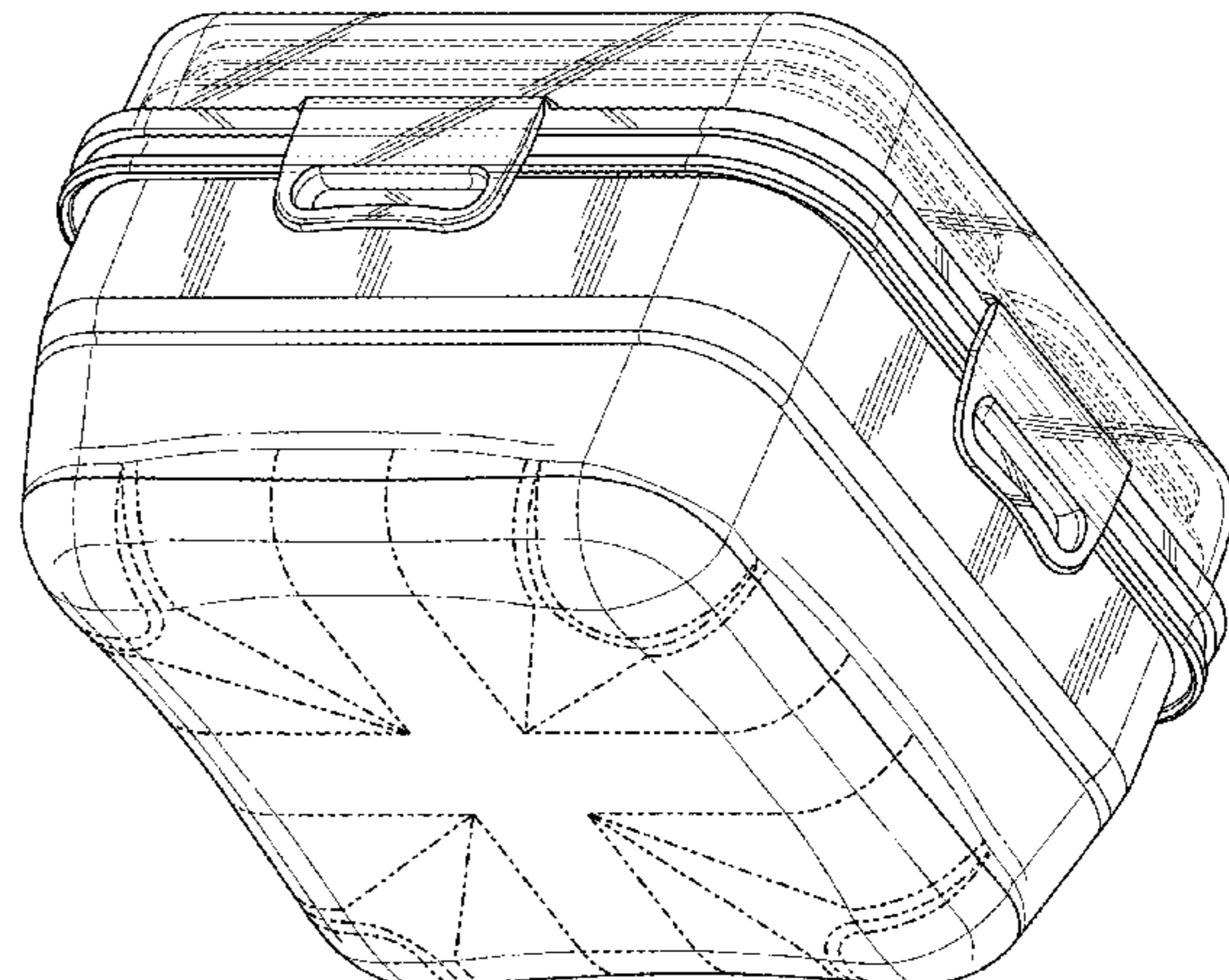
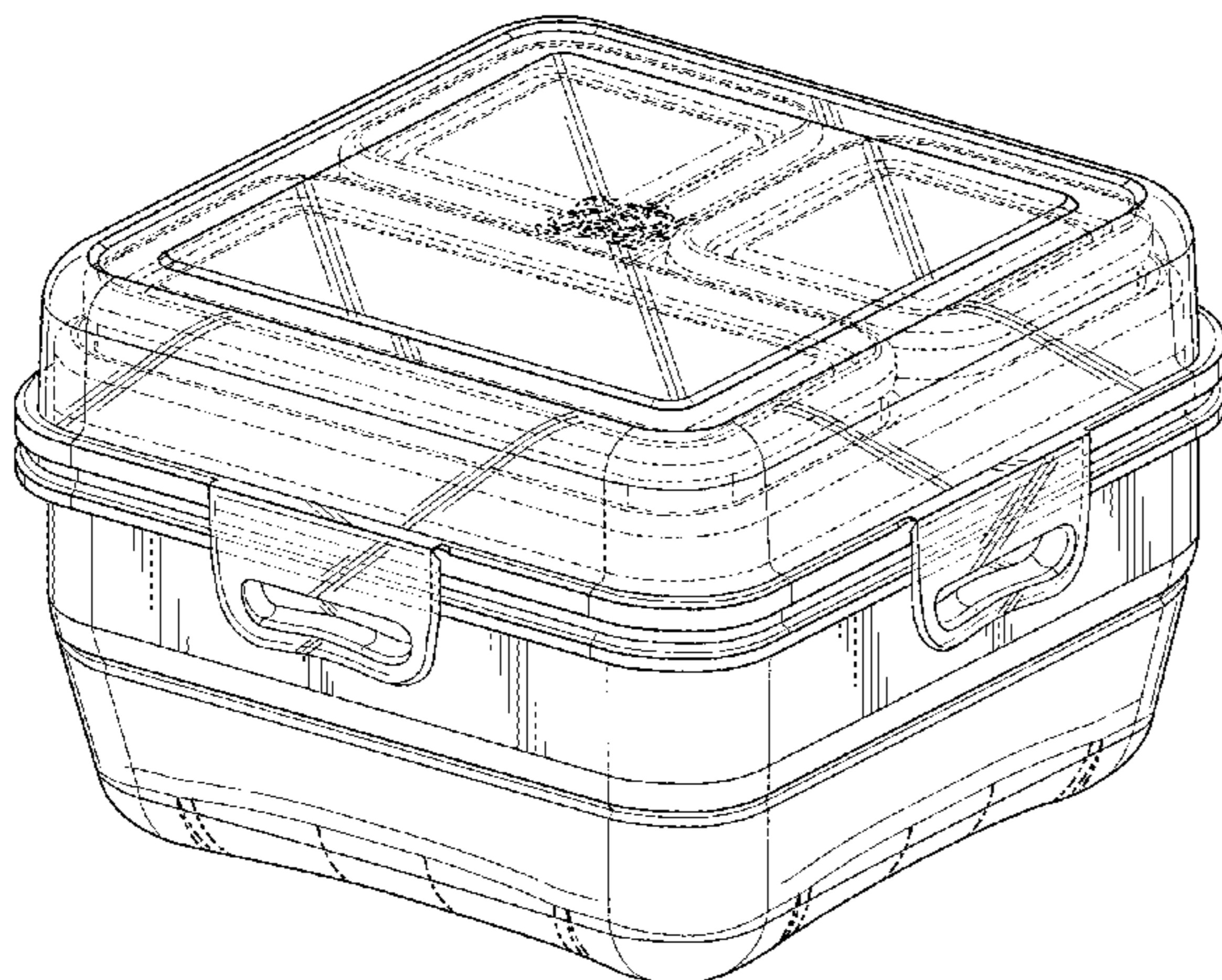
FIG. 5 is a right side elevational view thereof; the left side elevational view being identical thereof;

FIG. 6 is a top plan view thereof; and,

FIG. 7 is a bottom plan view thereof.

The broken lines in FIGS. 1-7 of the container immediately adjacent to the claimed subject matter along the bottom surface and lower portion of the sides of the container represent surface ornamentation and form no part of the claimed design.

**1 Claim, 7 Drawing Sheets**



# US D705,014 S

Page 2

---

(56)

## References Cited

### U.S. PATENT DOCUMENTS

D660,092 S \* 5/2012 Kyung ..... D7/629  
D660,094 S \* 5/2012 Kyung ..... D7/629  
D660,659 S \* 5/2012 Cohen ..... D7/629

D664,356 S \* 7/2012 Liao ..... D3/282  
D679,508 S \* 4/2013 Rivera ..... D4/199  
2002/0008043 A1\* 1/2002 Gunter ..... 206/278  
2004/0166207 A1\* 8/2004 Vincent et al. .... 426/106  
2010/0006579 A1\* 1/2010 Roth et al. .... 220/592.01

\* cited by examiner



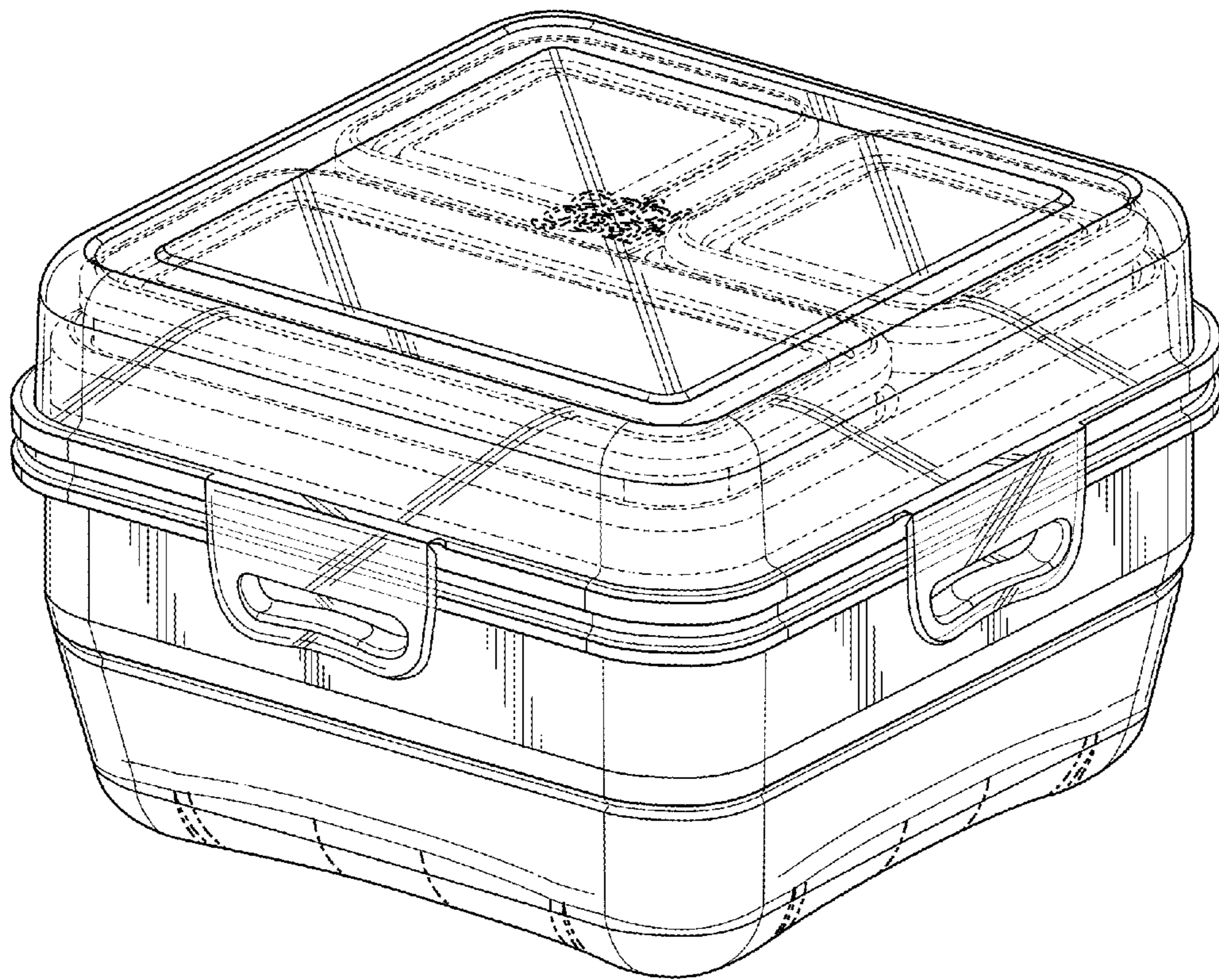


FIG. 1

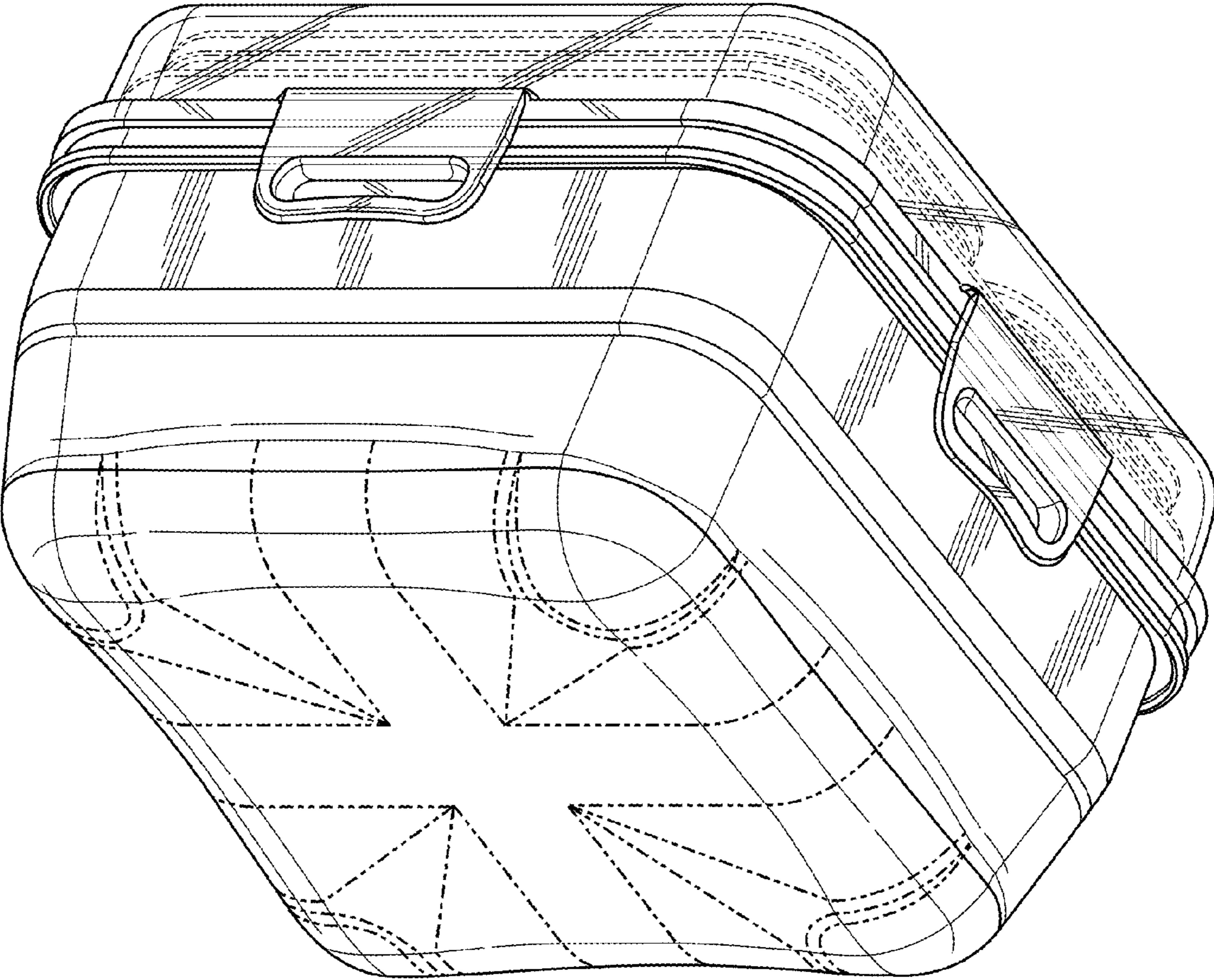


FIG. 2

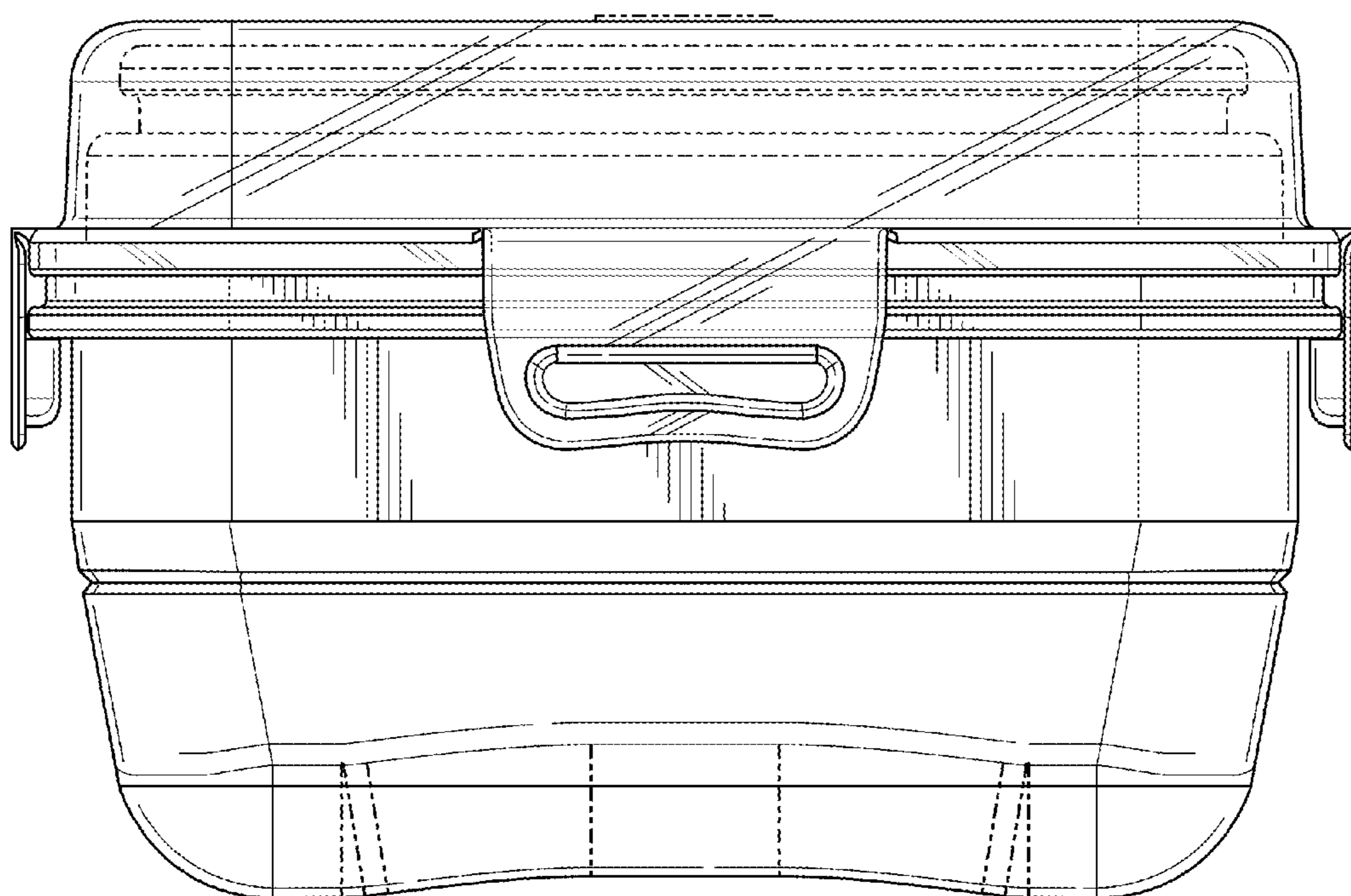


FIG. 3

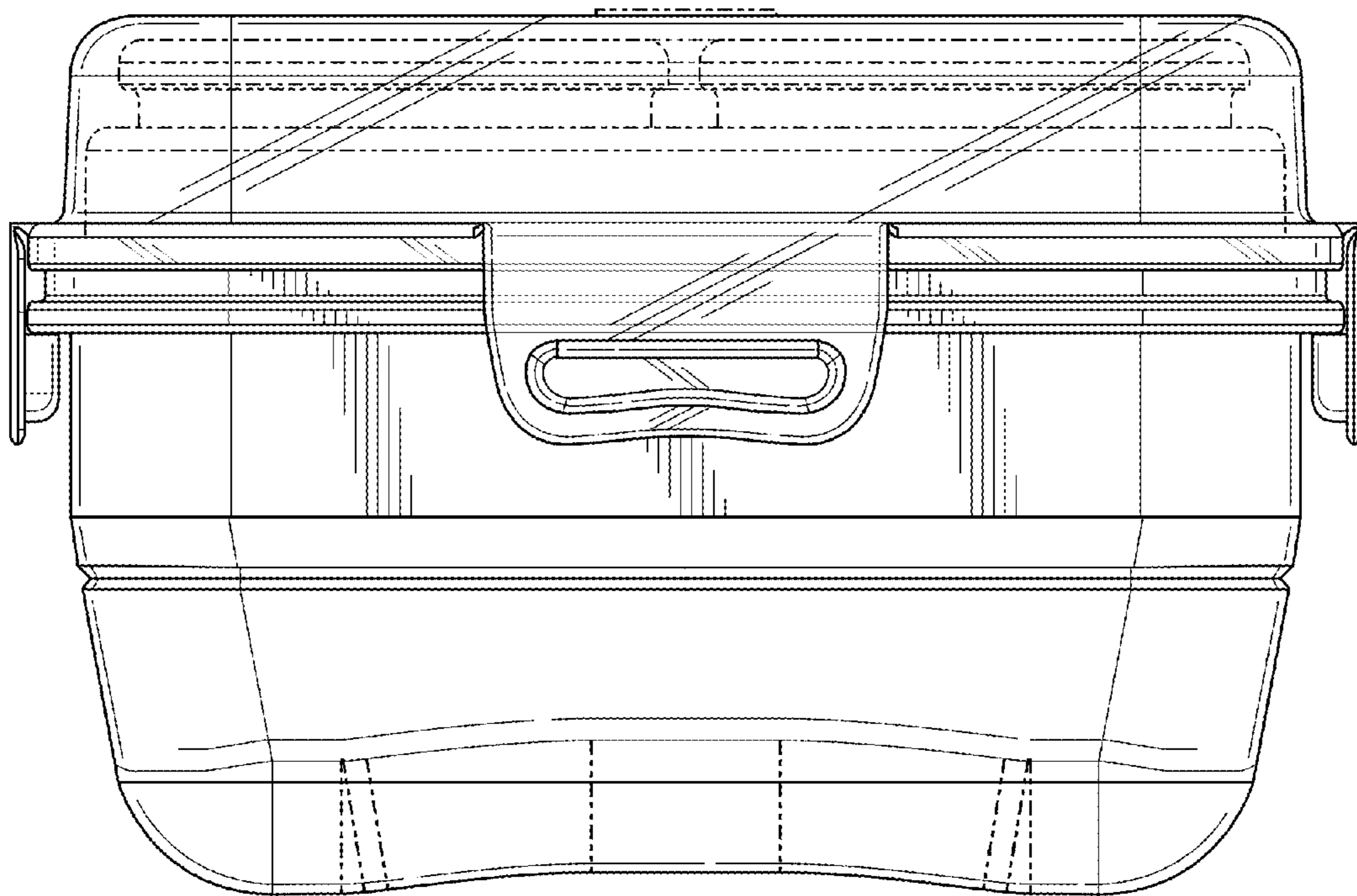


FIG. 4



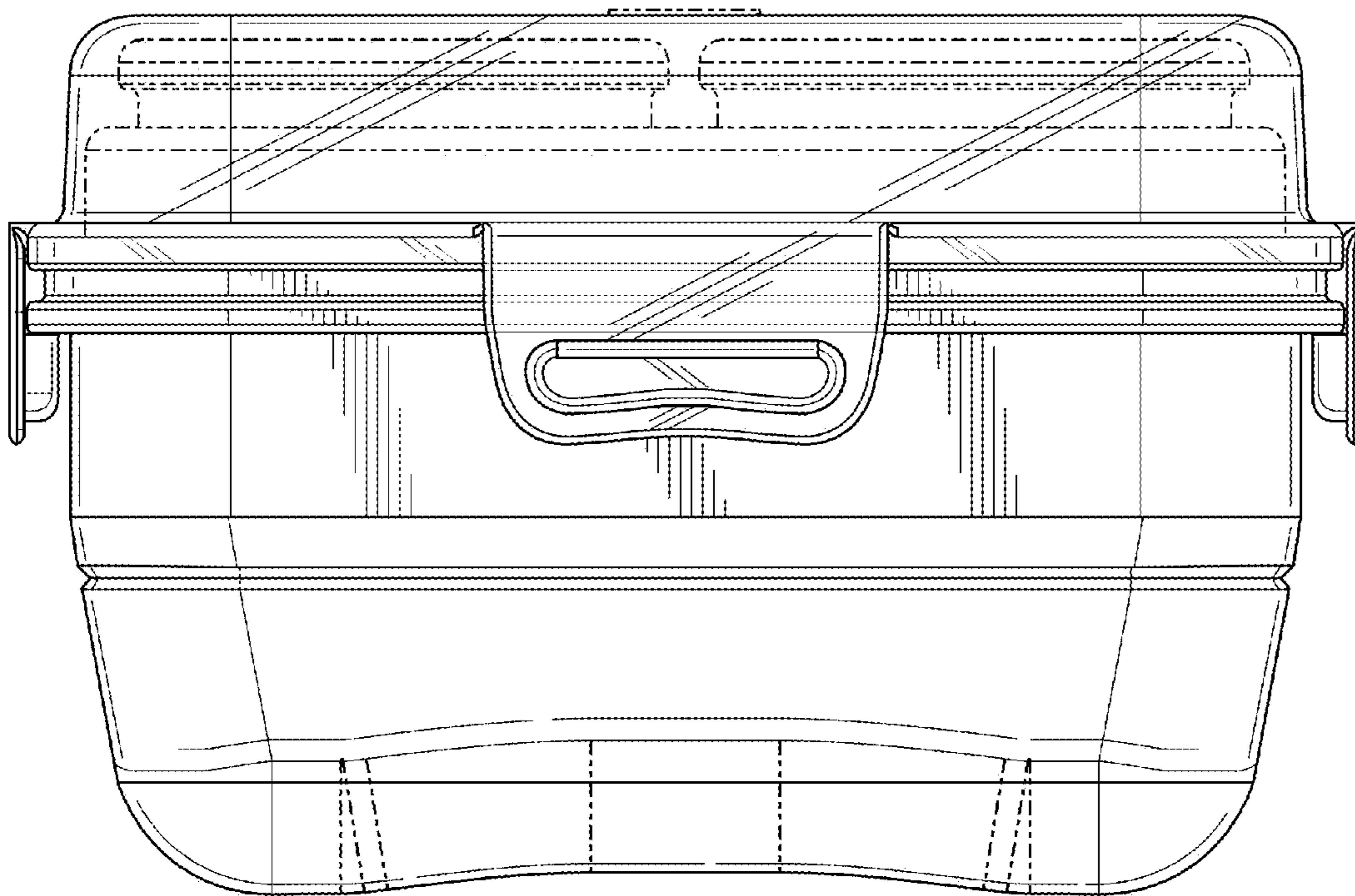


FIG. 5

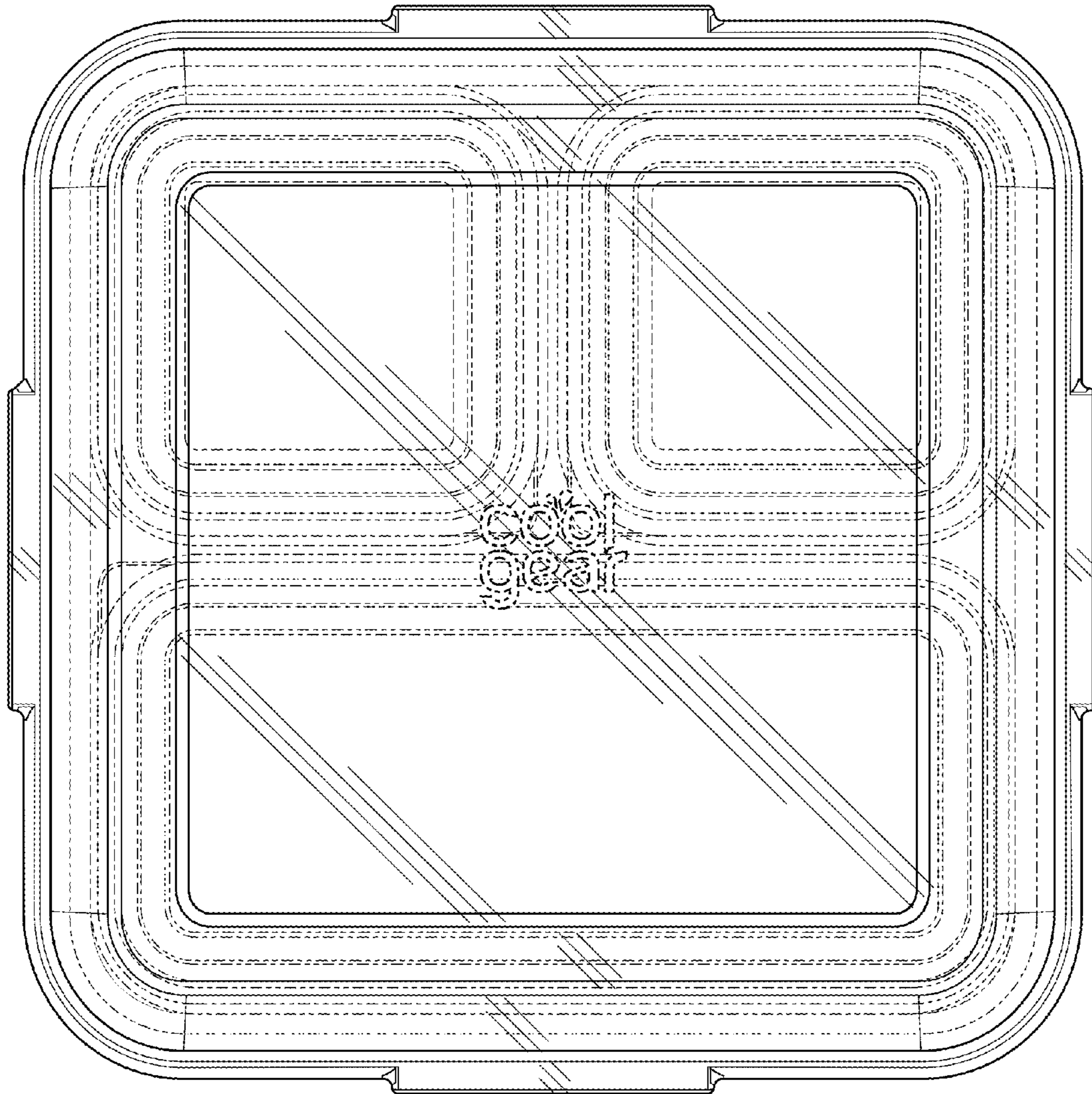


FIG. 6



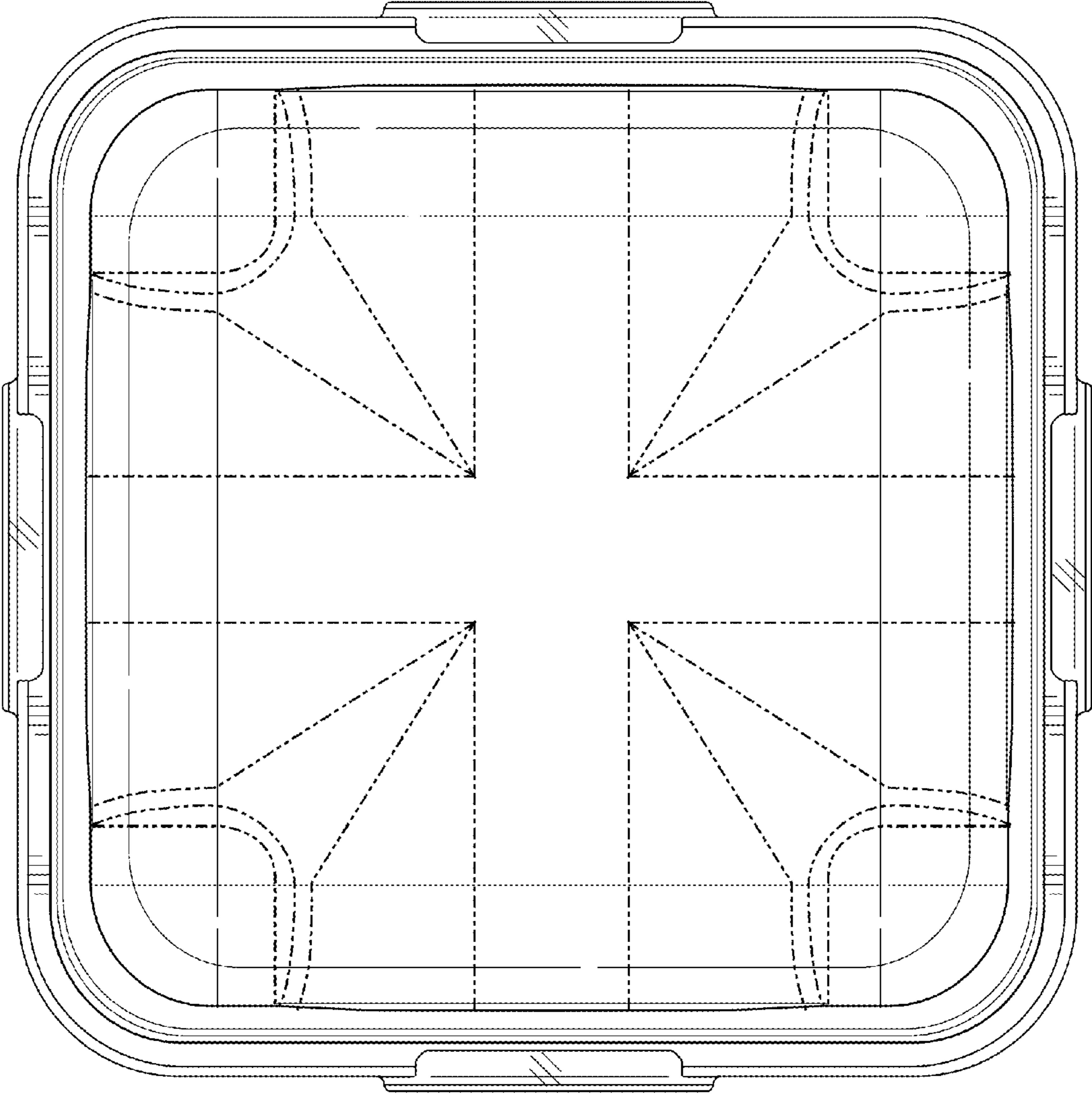


FIG. 7