



US00D705010S

(12) **United States Design Patent**
Coakley et al.

(10) **Patent No.:** **US D705,010 S**
(45) **Date of Patent:** **** May 20, 2014**

(54) **CONTROL PANEL**

(71) Applicant: **Euro-Pro Operating LLC**, Newton,
MA (US)
(72) Inventors: **Devin Joseph Coakley**, Bellingham,
MA (US); **Mark Allen Nichols**, Newton
Highlands, MA (US)

(73) Assignee: **Euro-Pro Operating LLC**, Newton,
MA (US)

(**) Term: **14 Years**

(21) Appl. No.: **29/447,091**

(22) Filed: **Feb. 28, 2013**

(51) **LOC (10) Cl.** **31-00**

(52) **U.S. Cl.**
USPC **D7/412**

(58) **Field of Classification Search**
USPC D7/665-667, 412, 376-386; 241/92,
241/101.1-101.7, 285.1-285.3;
99/501-513, 495, 499, 348, 357, 349,
99/369, 370; 366/98, 142, 197-211,
366/241-254, 279-292, 341-347; 100/213,
100/218, 283, 288

See application file for complete search history.

(56) **References Cited**

U.S. PATENT DOCUMENTS

D551,915 S * 10/2007 Chang Chien D7/665
D660,642 S 5/2012 Boozer et al.
D660,643 S 5/2012 Boozer et al.
D668,100 S * 10/2012 Palermo et al. D7/386

* cited by examiner

Primary Examiner — Terry Wallace

(74) *Attorney, Agent, or Firm* — Wolf, Greenfield & Sacks,
P.C.

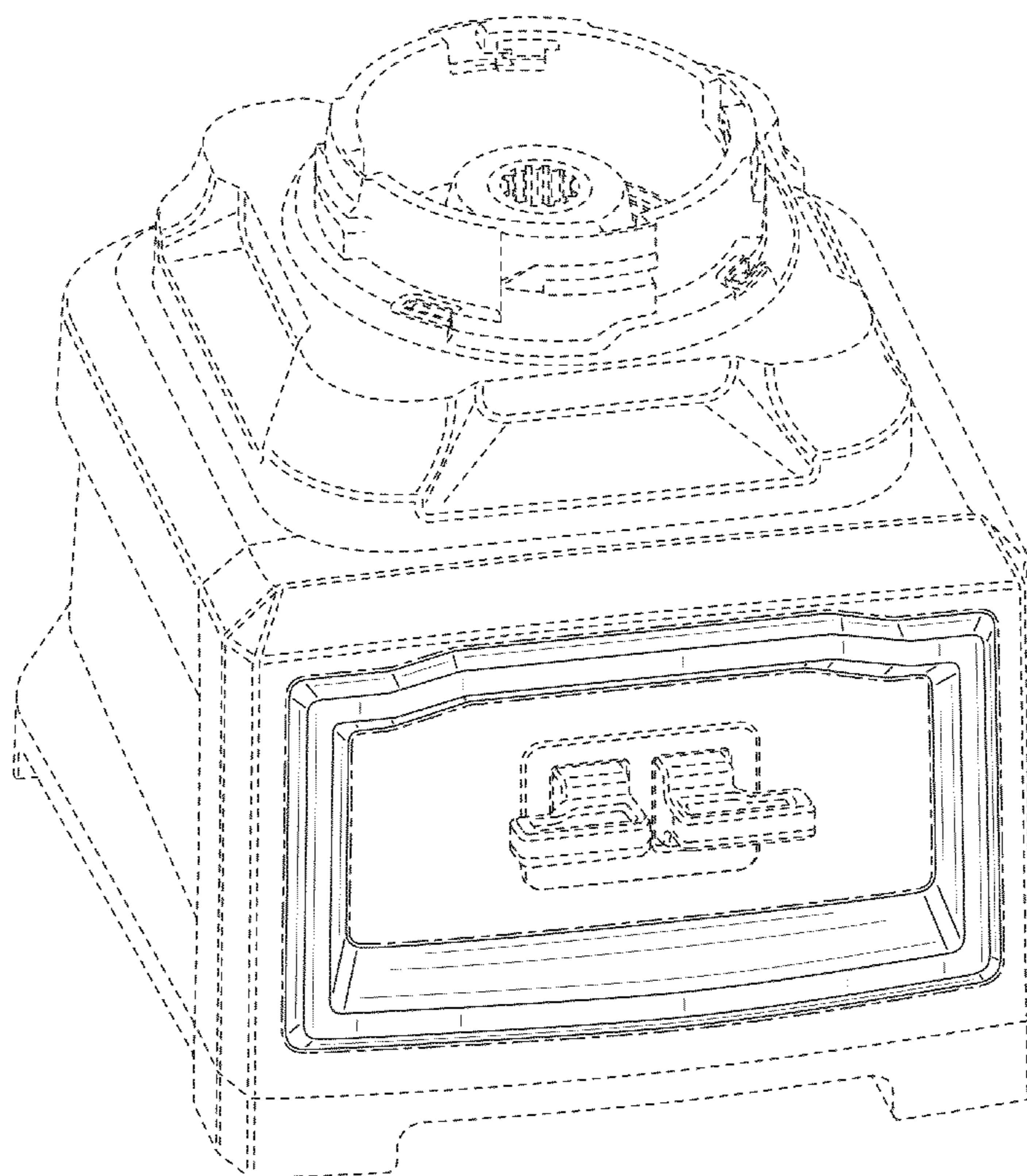
(57) **CLAIM**

The ornamental design for a control panel, as shown and
described.

DESCRIPTION

FIG. 1 is a top, front, left side perspective view of a control
panel showing our new design;
FIG. 2 is a front elevational view thereof;
FIG. 3 is a rear elevational view thereof;
FIG. 4 is a left side elevational view thereof;
FIG. 5 is a right side elevational view thereof;
FIG. 6 is a top plan view thereof; and,
FIG. 7 is a bottom plan view thereof.
The broken lines of FIGS. 1-7 illustrate portions of the device
that form no part of the claimed design. The dash-dot-dash
broken lines shown in FIGS. 1, 2 and 4-6 define boundaries of
the claimed design.

1 Claim, 7 Drawing Sheets



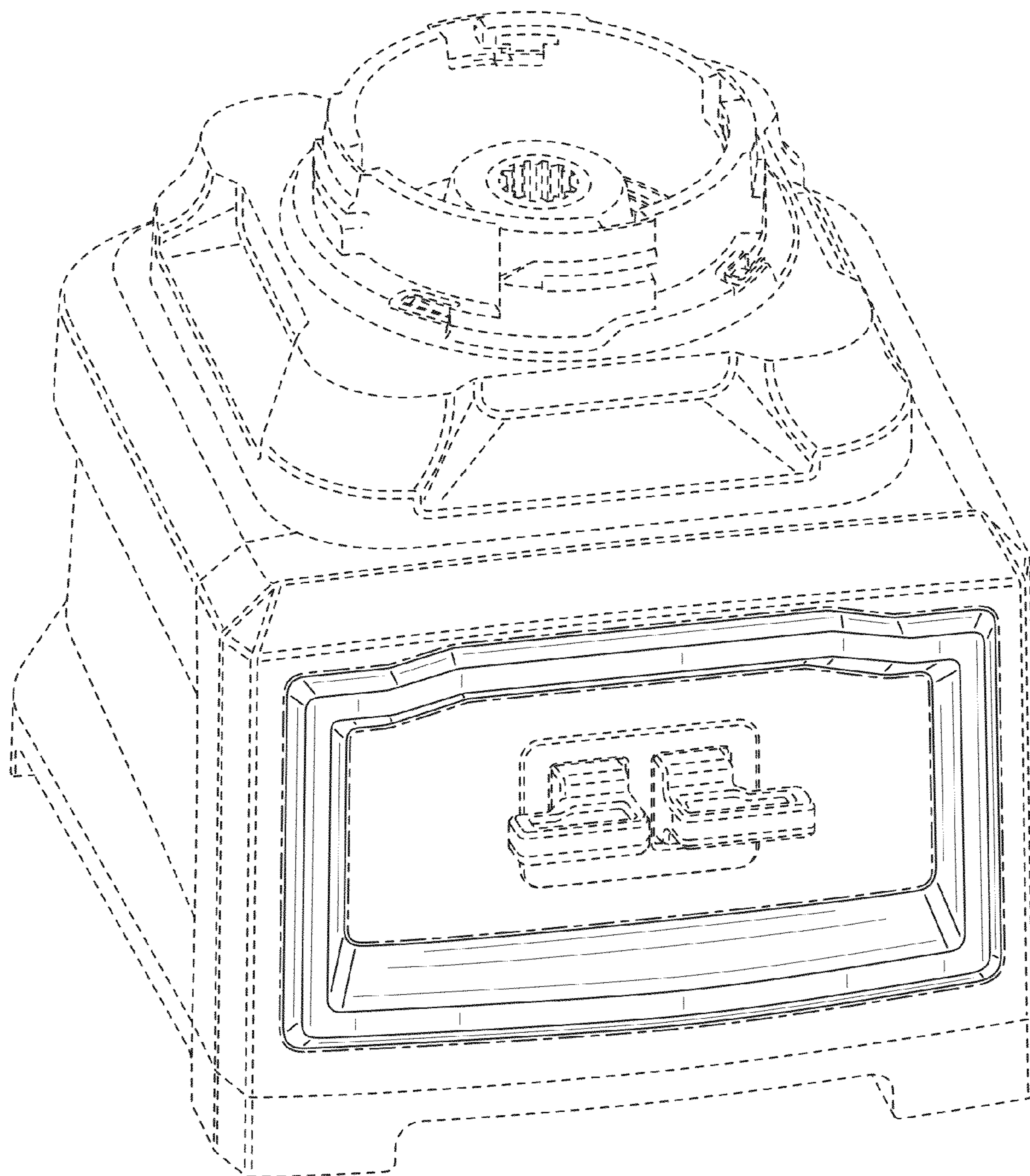


FIG. 1

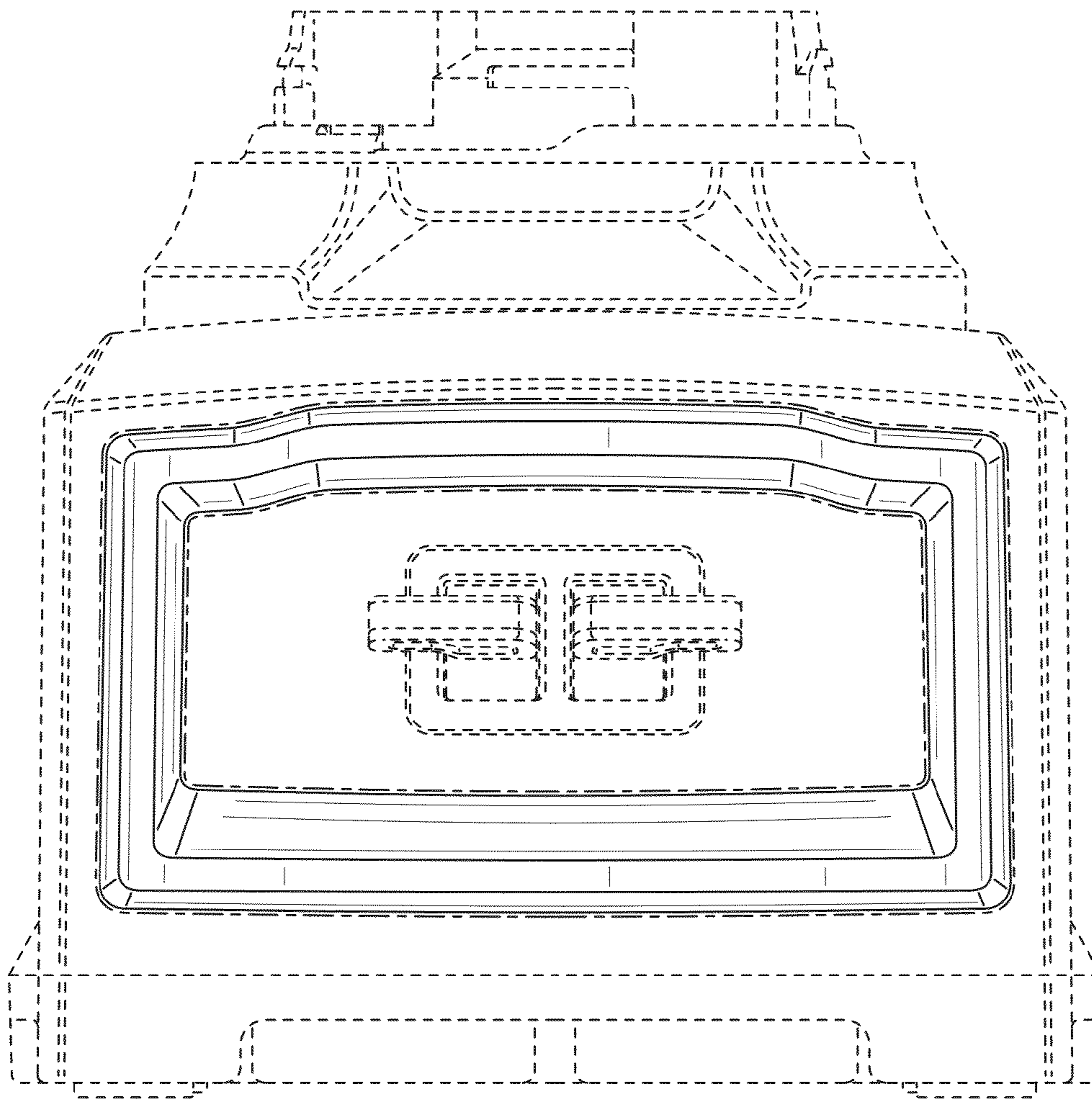


FIG. 2

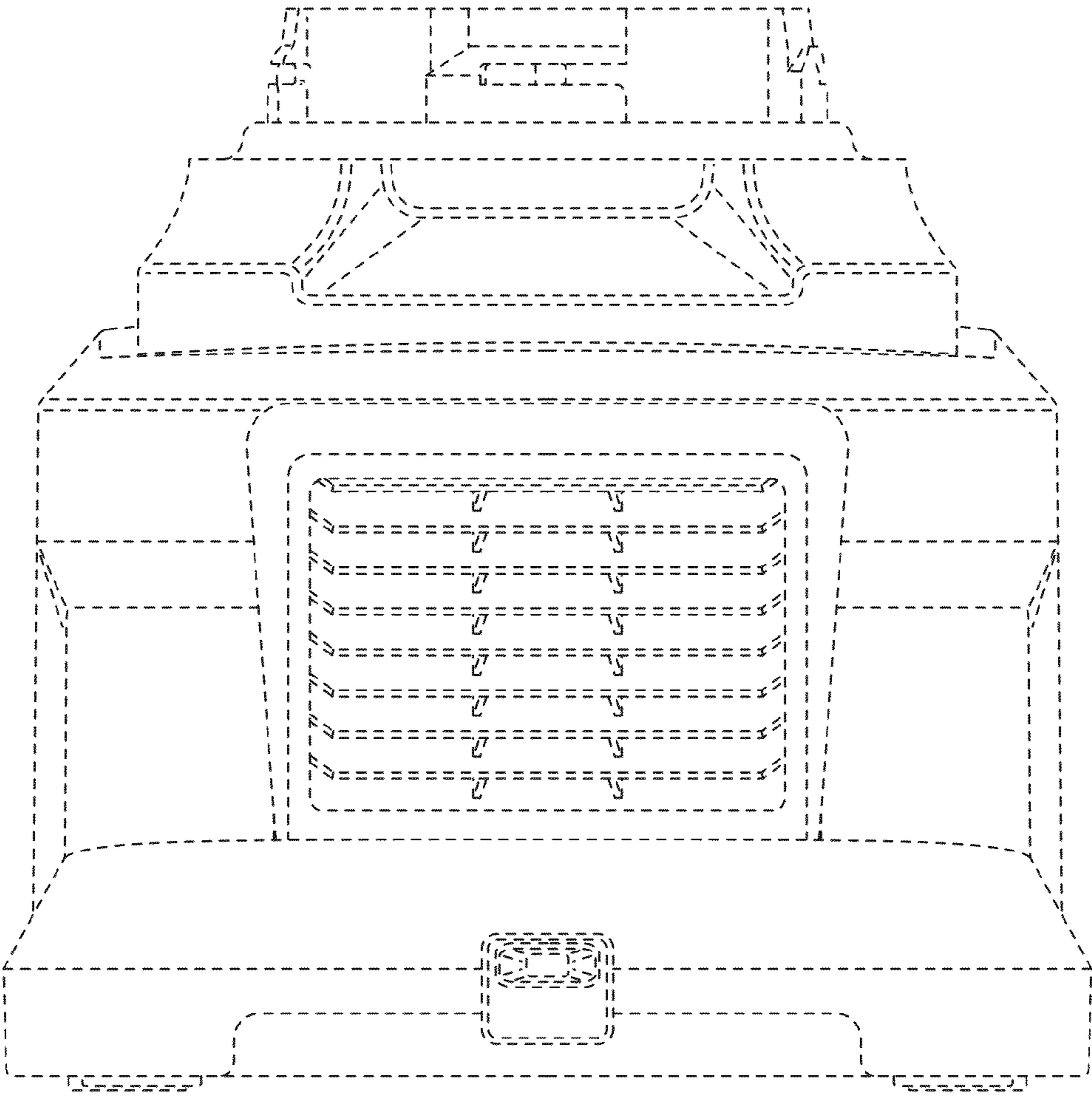


FIG. 3

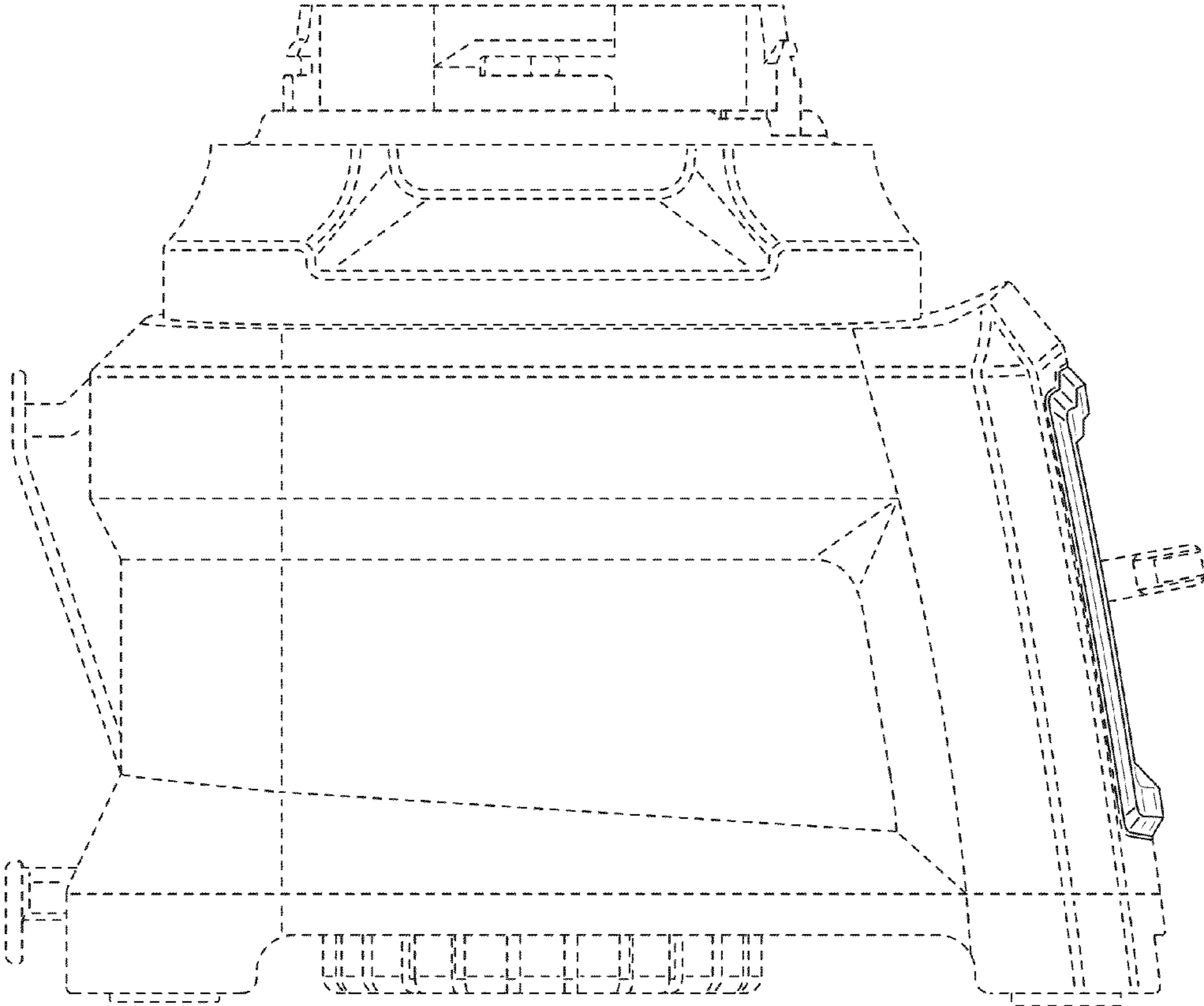


FIG. 4

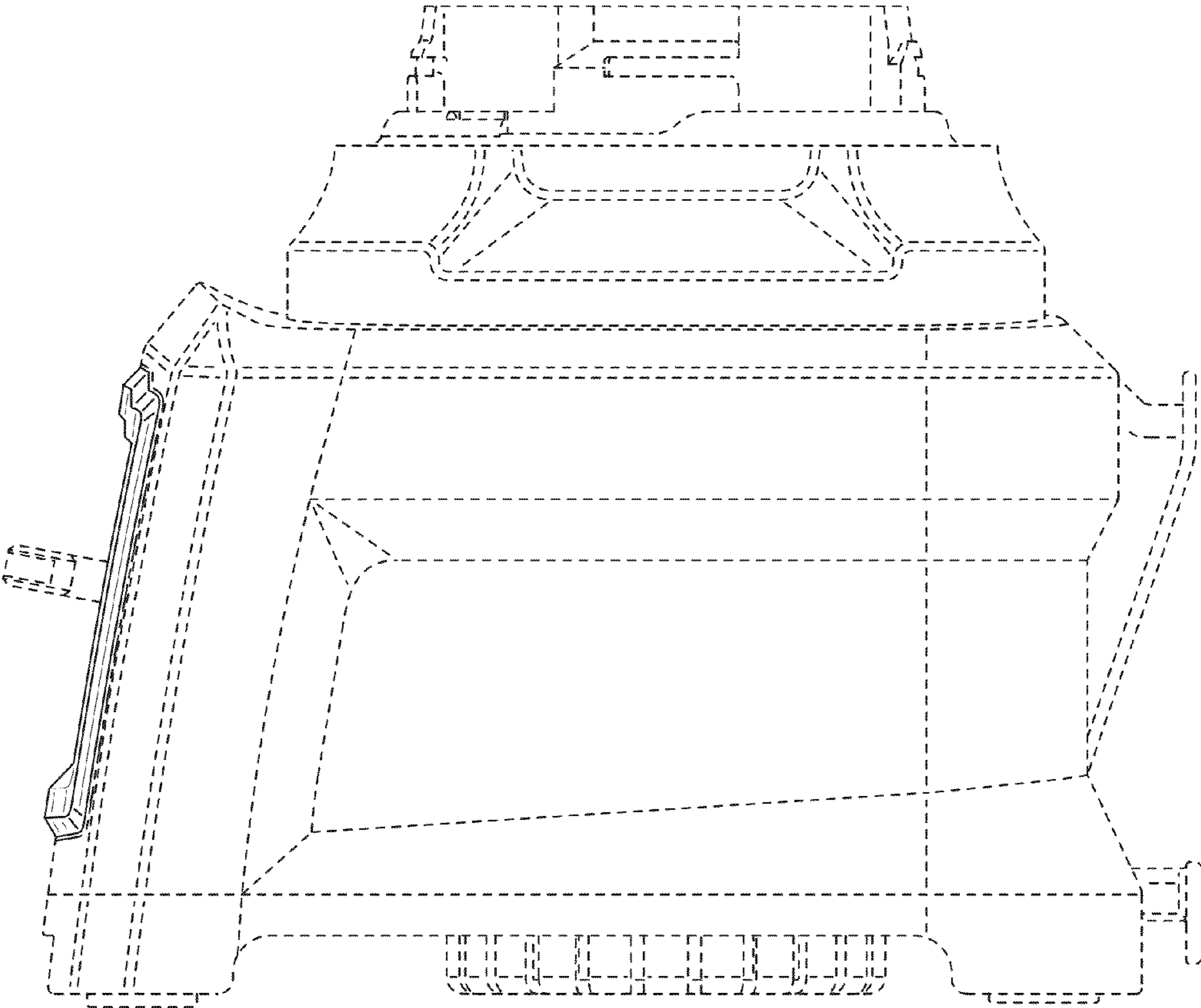


FIG. 5

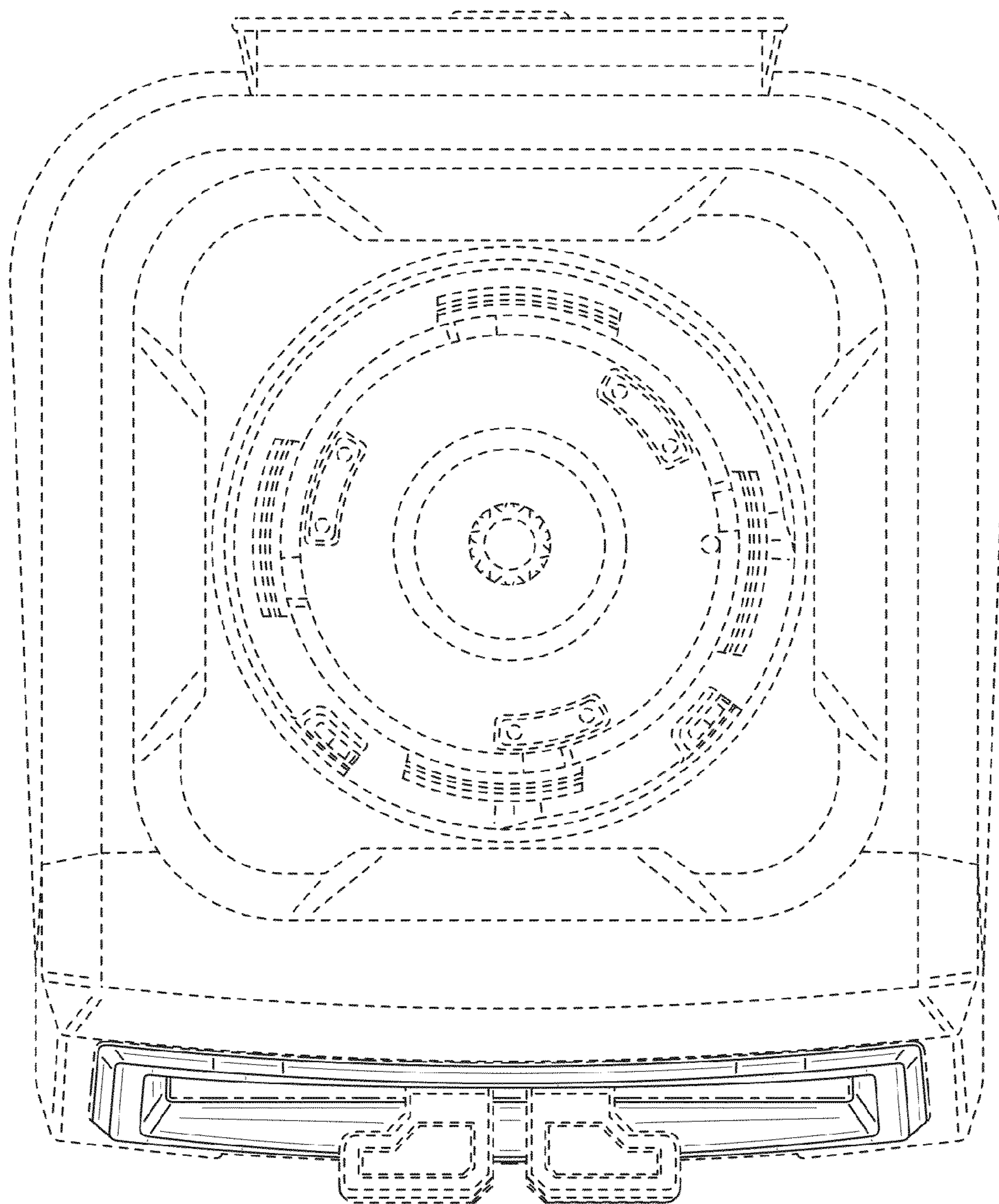


FIG. 6

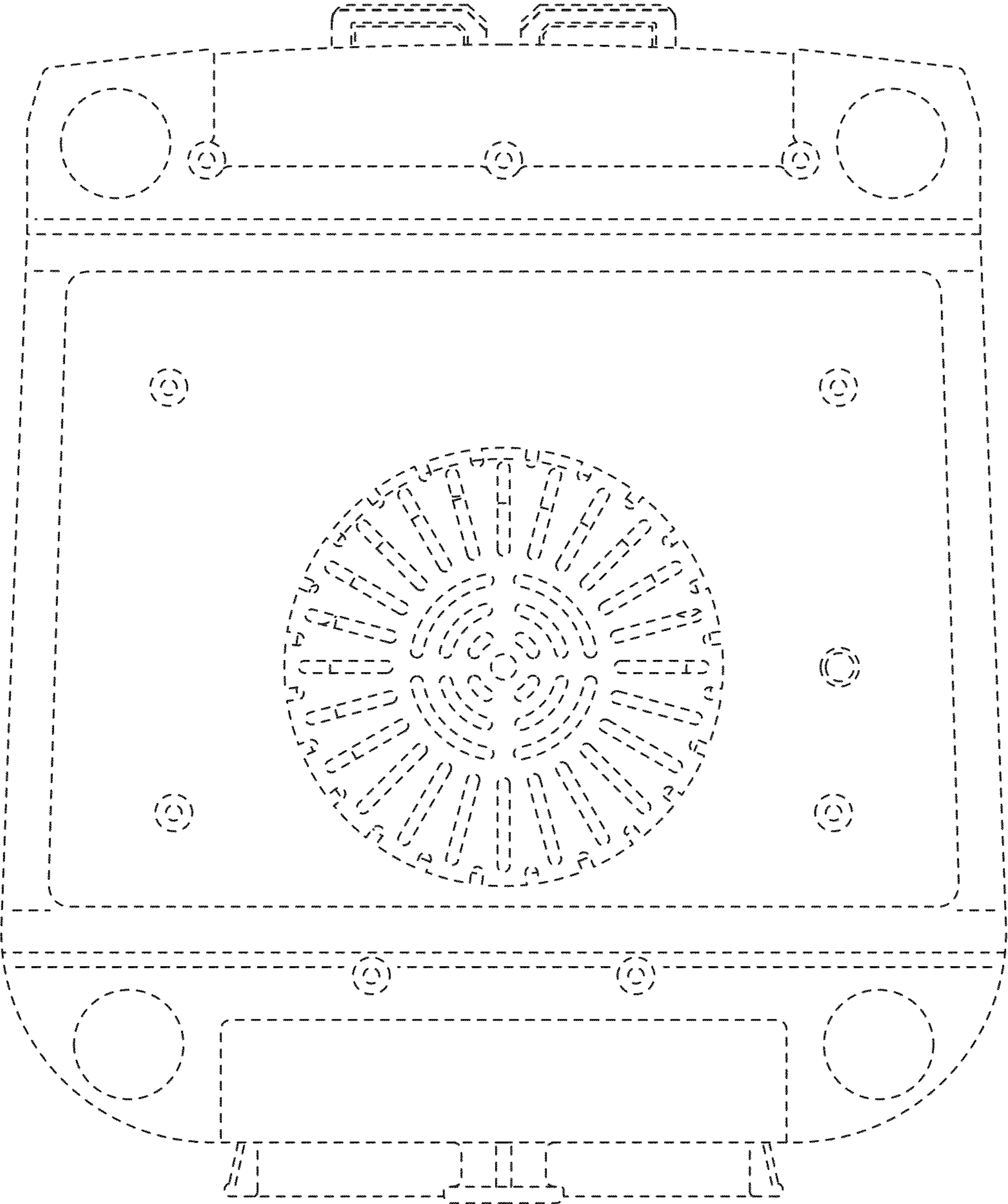


FIG. 7