



US00D705009S

(12) **United States Design Patent**  
**Kwack et al.**

(10) **Patent No.:** **US D705,009 S**

(45) **Date of Patent:** **\*\* May 20, 2014**

(54) **OVEN BURNER PANEL**

(71) Applicant: **Samsung Electronics Co., Ltd.**,  
Suwon-Si (KR)

(72) Inventors: **Jungkyung Kwack**, Seoul (KR); **Gilock Lee**, Seoul (KR)

(73) Assignee: **Samsung Electronics Co., Ltd.**,  
Gyeonggi-do (KR)

(\*\*) Term: **14 Years**

(21) Appl. No.: **29/457,996**

(22) Filed: **Jun. 14, 2013**

(30) **Foreign Application Priority Data**

Dec. 17, 2012 (KR) ..... 30-2012-0060864

(51) **LOC (10) Cl.** ..... **07-02**

(52) **U.S. Cl.**  
USPC ..... **D7/407; D7/346**

(58) **Field of Classification Search**  
USPC ..... D7/323, 340-348, 404-409; 126/39 B,  
126/211, 217-218, 214 C, 214 R, 215-216,  
126/152 R; 219/460.1, 506  
See application file for complete search history.

(56) **References Cited**

**U.S. PATENT DOCUMENTS**

D271,269 S \* 11/1983 Vetter et al. .... D7/407  
D277,448 S \* 2/1985 Vetter et al. .... D7/346  
D312,748 S \* 12/1990 Jung et al. .... D7/407  
D417,363 S \* 12/1999 Deo et al. .... D7/407  
D422,839 S \* 4/2000 Marchand ..... D7/405  
D462,866 S \* 9/2002 Resuello et al. .... D7/346

D468,160 S \* 1/2003 Staebler et al. .... D7/407  
D482,931 S \* 12/2003 Staebler et al. .... D7/407  
D506,637 S \* 6/2005 Tanaka ..... D7/346  
D508,366 S \* 8/2005 Wilsdorf ..... D7/346  
D510,228 S \* 10/2005 Huxhold ..... D7/346  
D511,641 S \* 11/2005 Kim ..... D7/346  
D542,597 S \* 5/2007 Huxhold ..... D7/407  
D560,956 S \* 2/2008 Shin et al. .... D7/346  
D568,673 S \* 5/2008 Tanaka ..... D7/346  
D568,674 S \* 5/2008 Tanaka ..... D7/346  
D609,960 S \* 2/2010 Cutino ..... D7/346  
D646,519 S \* 10/2011 Kim et al. .... D7/346  
D671,789 S \* 12/2012 Goss et al. .... D7/346

\* cited by examiner

*Primary Examiner* — T. Chase Nelson

*Assistant Examiner* — Mark Cavanna

(74) *Attorney, Agent, or Firm* — Harness, Dickey & Pierce,  
P.L.C.

(57) **CLAIM**

The ornamental design for an oven burner panel, as shown and described.

**DESCRIPTION**

FIG. 1 is the front/right-side/top perspective view of an oven burner panel showing our new design;  
FIG. 2 is the front elevational view thereof;  
FIG. 3 is the rear elevational view thereof;  
FIG. 4 is the left-side elevational view thereof;  
FIG. 5 is the right-side elevational view thereof;  
FIG. 6 is the top-side plan view thereof;  
FIG. 7 is the bottom-side plan view thereof; and,  
FIG. 8 is the enlargement view of the claimed part of FIG. 1 without dashed line.

The broken lines shown in the drawings represent unclaimed portions of oven.

**1 Claim, 8 Drawing Sheets**

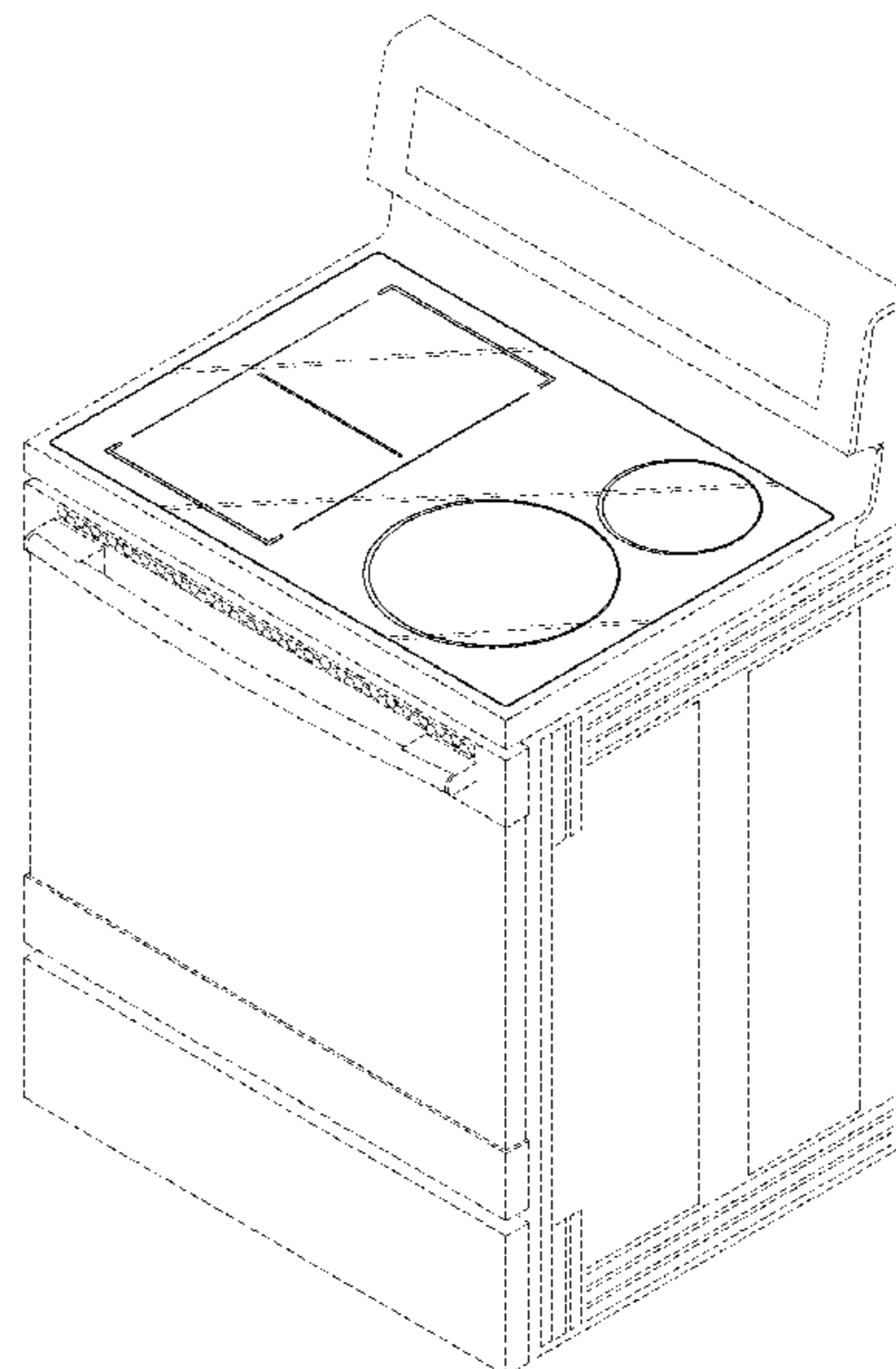


FIG. 1

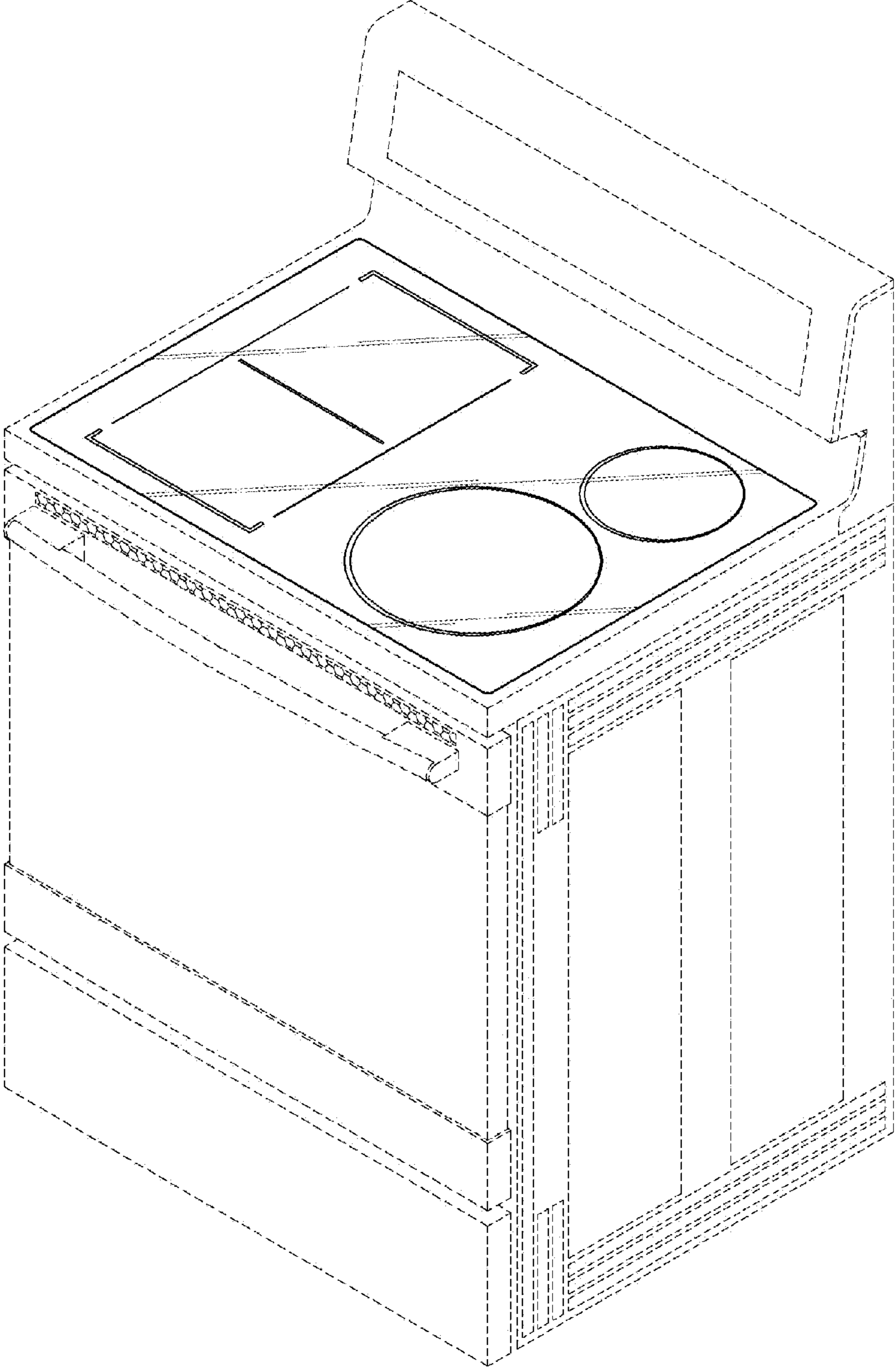
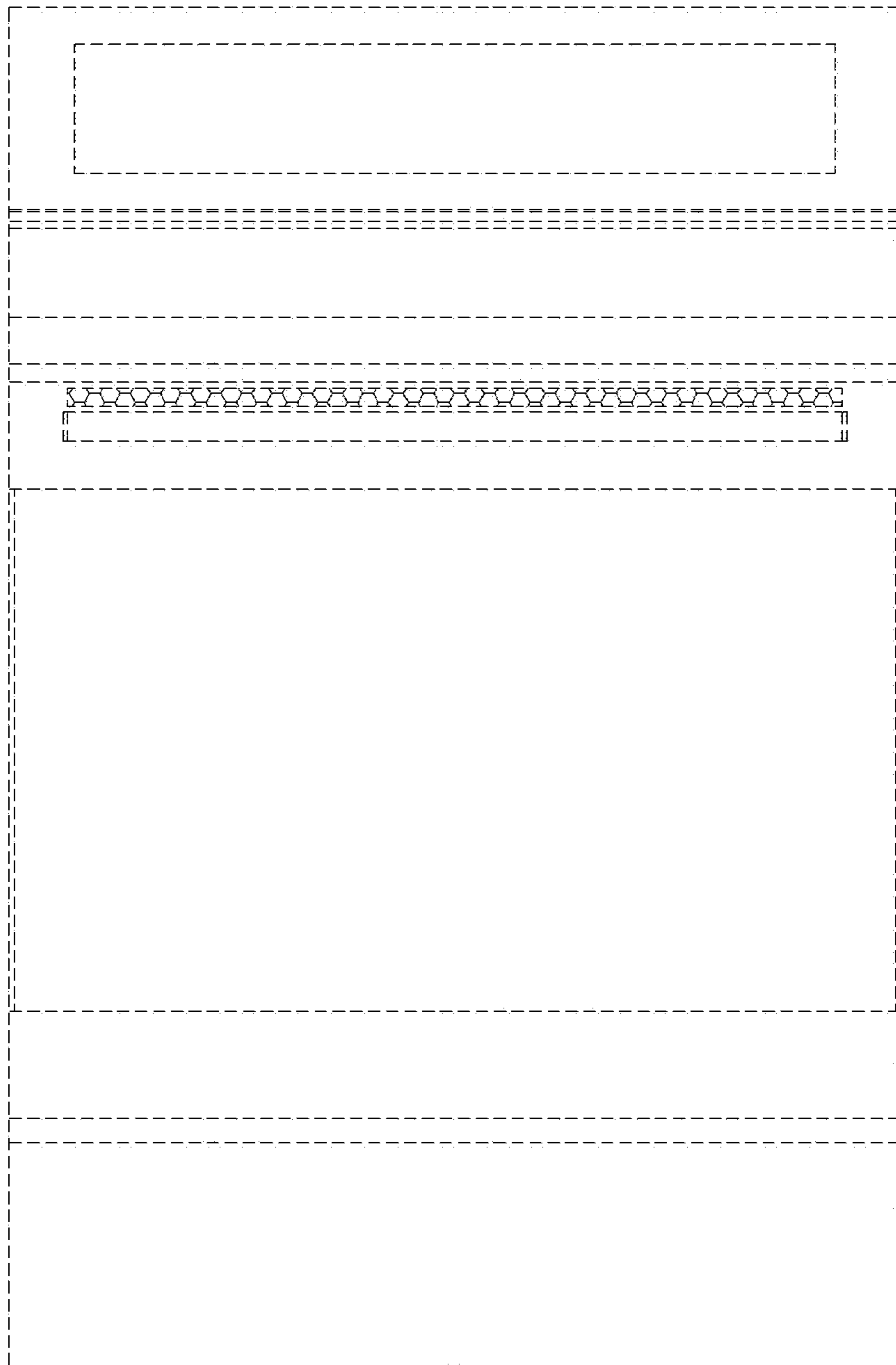


FIG. 2



**FIG. 3**



FIG. 4

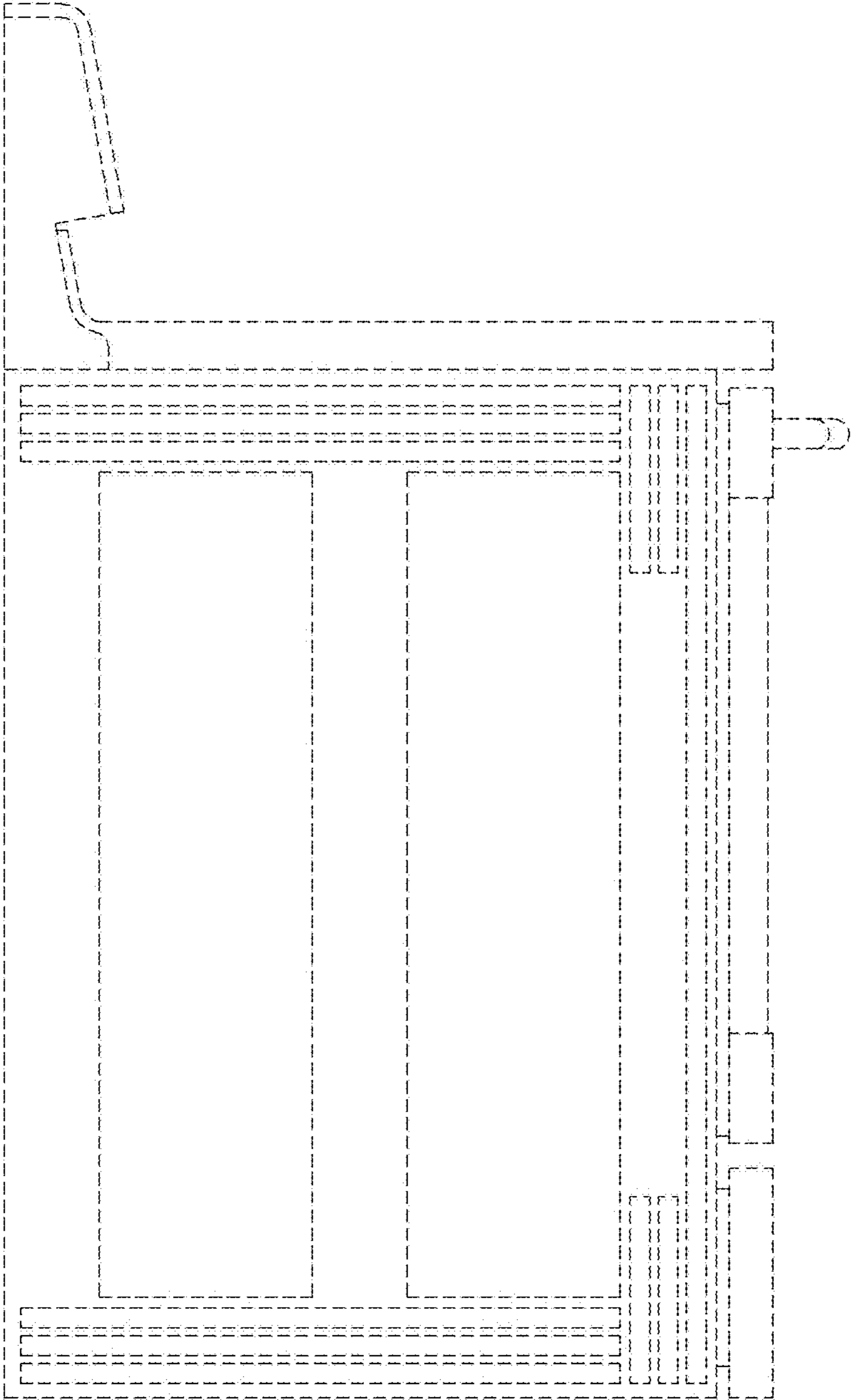


FIG. 5

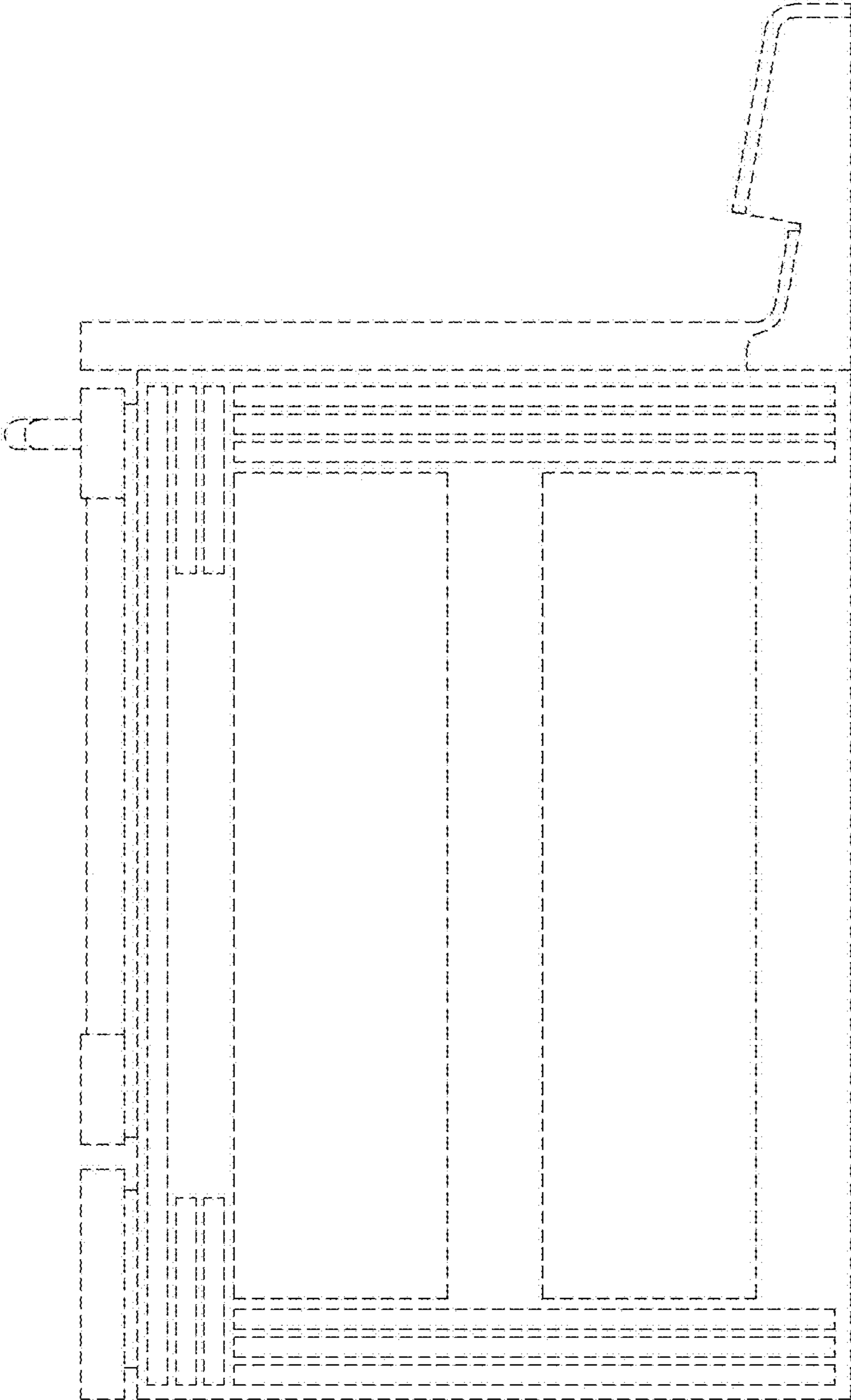


FIG. 6

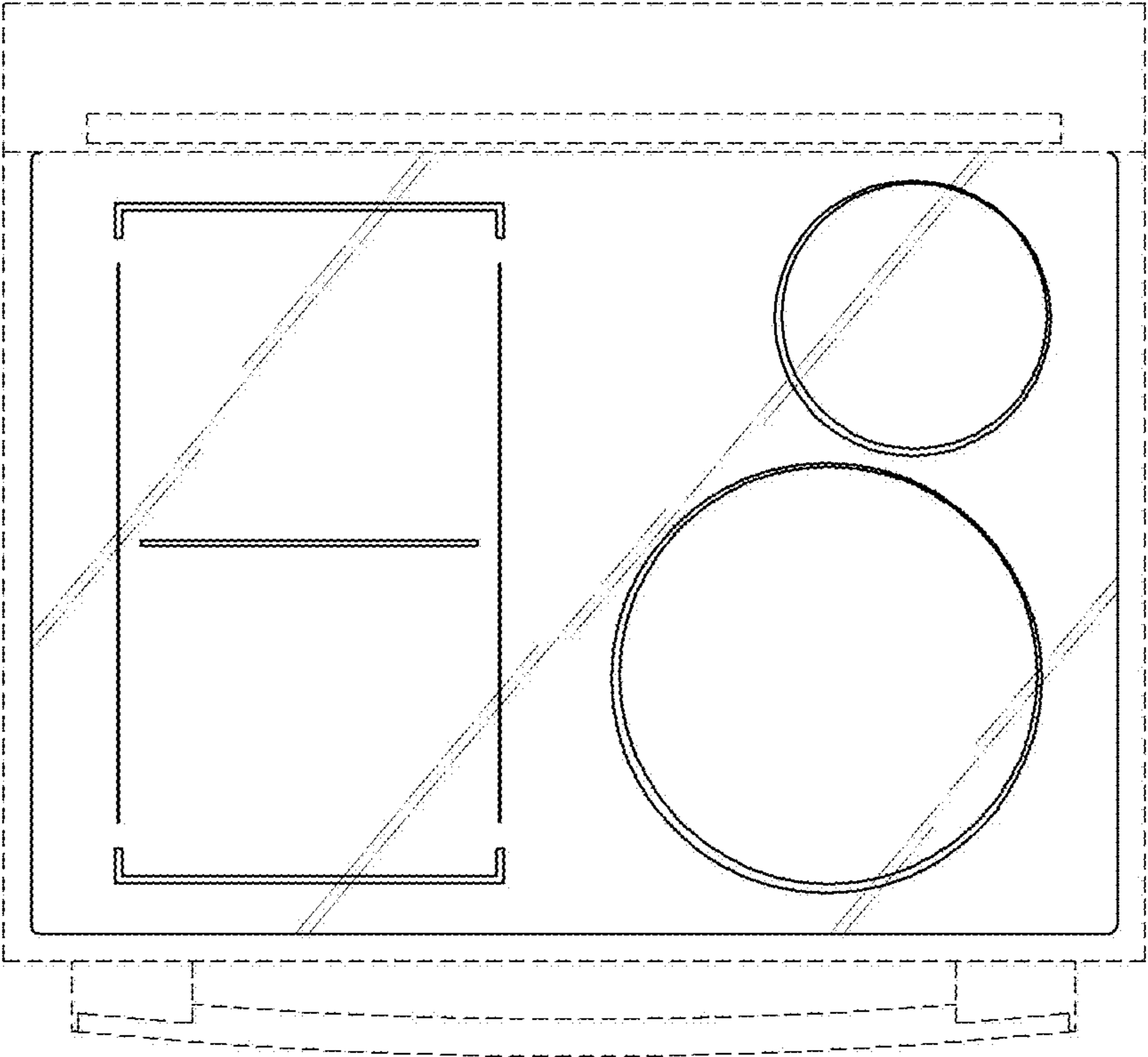


FIG. 7

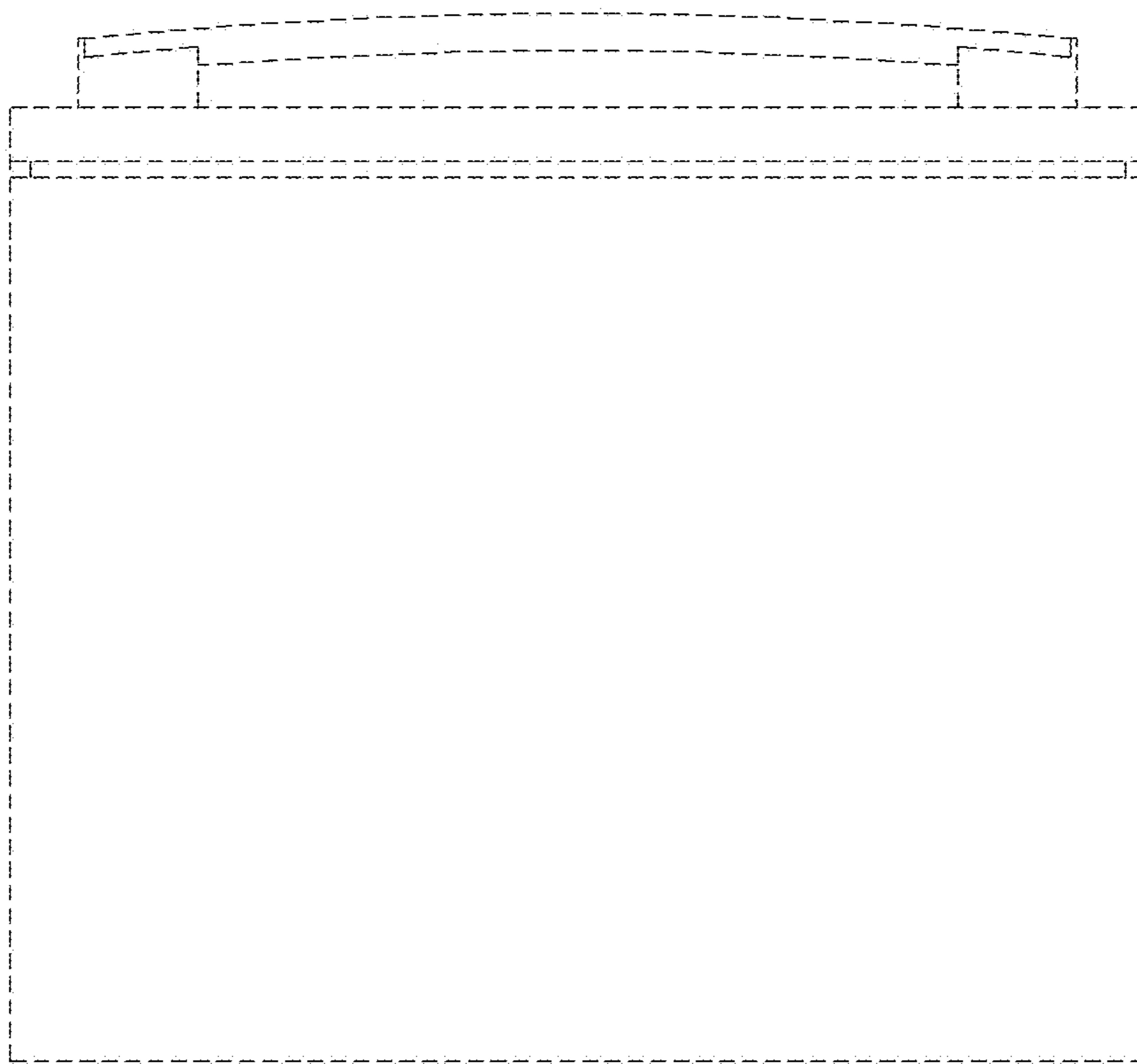




FIG. 8

