



US00D705006S

(12) **United States Design Patent**  
**Dicocco**

(10) **Patent No.:** **US D705,006 S**

(45) **Date of Patent:** **\*\* May 20, 2014**

(54) **FLATWARE**

(71) Applicant: **Oneida Ltd.**, Oneida, NY (US)

(72) Inventor: **Michael Dicocco**, Chittenango, NY (US)

(73) Assignee: **Oneida Ltd.**, Oneida, NY (US)

(\*\*) Term: **14 Years**

(21) Appl. No.: **29/451,082**

(22) Filed: **Mar. 27, 2013**

(51) **LOC (10) Cl.** ..... **07-03**

(52) **U.S. Cl.**

USPC ..... **D7/401.2**; D7/642; D7/653; D7/661

(58) **Field of Classification Search**

USPC ..... D7/368, 393-395, 401.2, 642-646,  
D7/649-654, 660-664, 669, 675-677, 683,  
D7/688-692, 695-696; D8/10; D30/162;  
30/120.1, 137, 141-143, 147-150,  
30/322-327, 329, 340, 342-344; 416/70 R,  
416/75

See application file for complete search history.

(56) **References Cited**

U.S. PATENT DOCUMENTS

D76,946 S	*	11/1928	Malinowski	.....	D7/653
D398,197 S	*	9/1998	Deglon	.....	D7/689
D427,031 S	*	6/2000	Winchester	.....	D8/10
D471,770 S	*	3/2003	Teuber	.....	D7/645
D507,083 S	*	7/2005	Miller et al.	.....	D30/162
D557,078 S	*	12/2007	Morrison	.....	D7/642
D612,676 S	*	3/2010	Holcomb	.....	D7/401.2
D647,362 S	*	10/2011	Shane-Schuldt	.....	D7/401.2
D647,755 S	*	11/2011	Shane-Schuldt	.....	D7/401.2
D647,756 S	*	11/2011	Shane-Schuldt	.....	D7/401.2

\* cited by examiner

Primary Examiner — Ricky Pham

(74) *Attorney, Agent, or Firm* — Frost Brown Todd LLC

(57) **CLAIM**

The ornamental design for flatware, as shown and described.

**DESCRIPTION**

FIG. 1 is a top plan view of a new ornamental design for flatware embodied as a fork.

FIG. 2 is a bottom plan view thereof.

FIG. 3 is a side elevation view thereof, the opposite side being a mirror image.

FIG. 4 is an end view thereof, shown from the end of the handle.

FIG. 5 is an end view thereof, shown from the opposite end of that shown in FIG. 4.

FIG. 6 is a cross-sectional view taken along section line 6-6 of FIG. 1 to illustrate the peripheral shape of the article at the cross-section.

FIG. 7 is a cross-sectional view taken along section line 7-7 of FIG. 1 to illustrate the peripheral shape of the article at the cross-section.

FIG. 8 is a top plan view of a new ornamental design for flatware embodied as a spoon.

FIG. 9 is a bottom plan view thereof.

FIG. 10 is a side elevation view thereof, the opposite side being a mirror image.

FIG. 11 is an end view thereof, shown from the end of the handle.

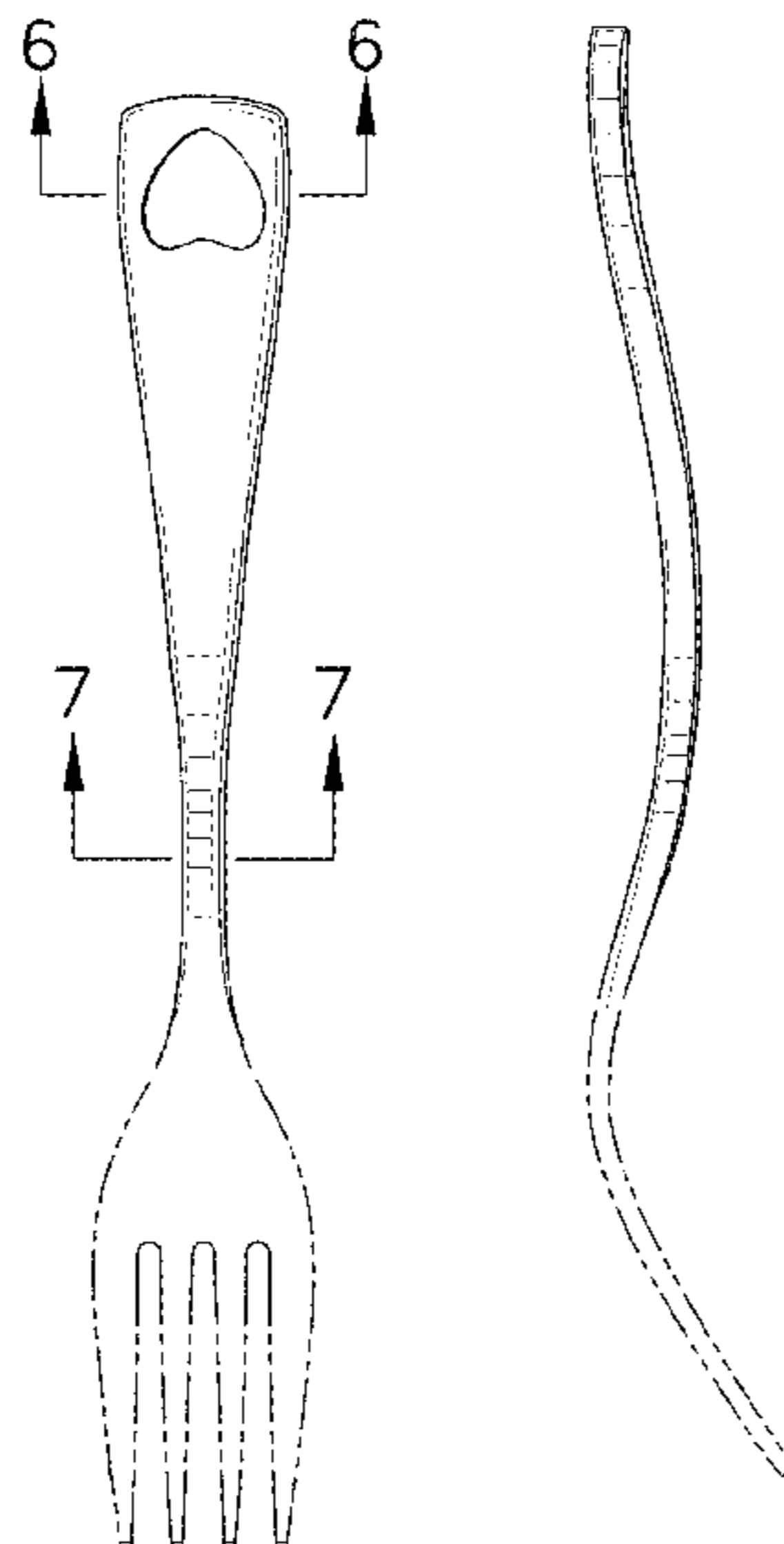
FIG. 12 is an end view thereof, shown from the opposite end of that shown in FIG. 11.

FIG. 13 is a cross-sectional view taken along section line 13-13 of FIG. 8 to illustrate the peripheral shape of the article at the cross-section; and,

FIG. 14 is a cross-sectional view taken along section line 14-14 of FIG. 8 to illustrate the peripheral shape of the article at the cross-section.

The broken lines in the drawings are included for purposes of illustrating portions of the article that form no part of the claimed design.

**1 Claim, 2 Drawing Sheets**



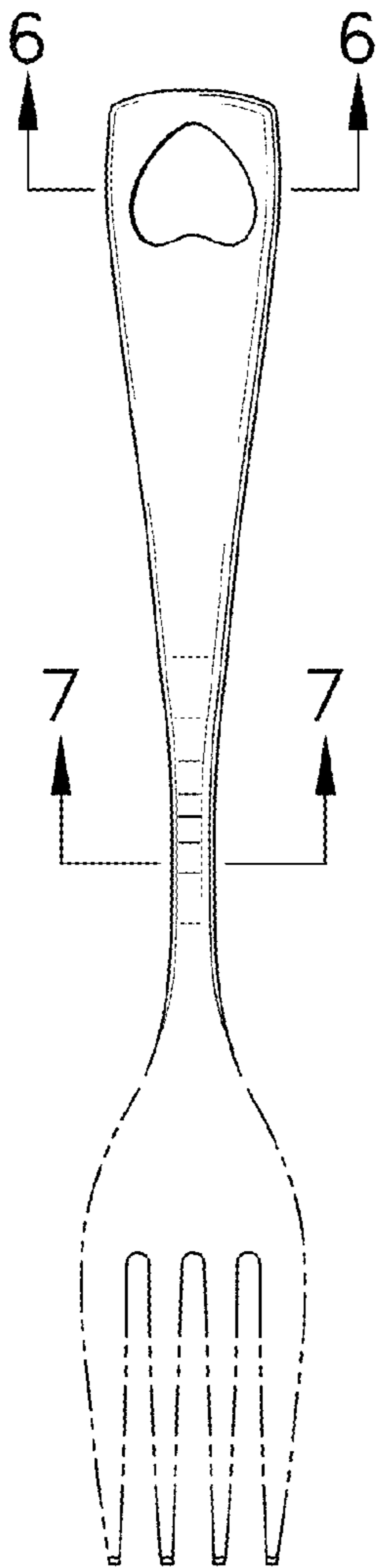


Fig. 1

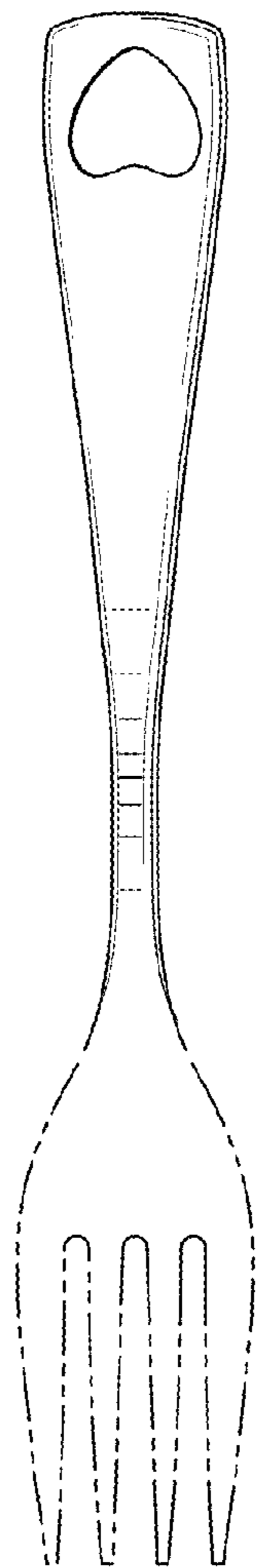


Fig. 2

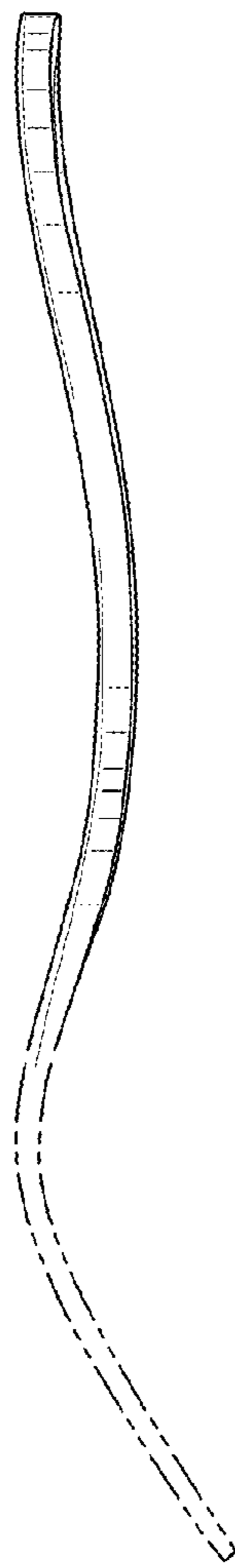


Fig. 3

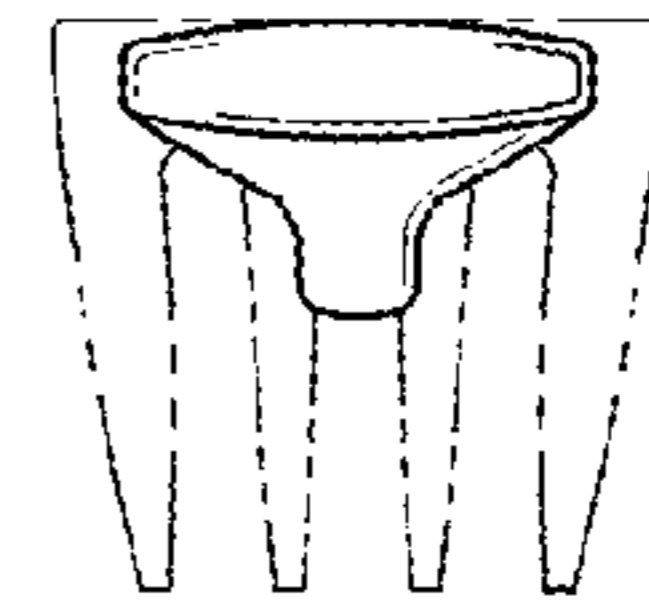


Fig. 4

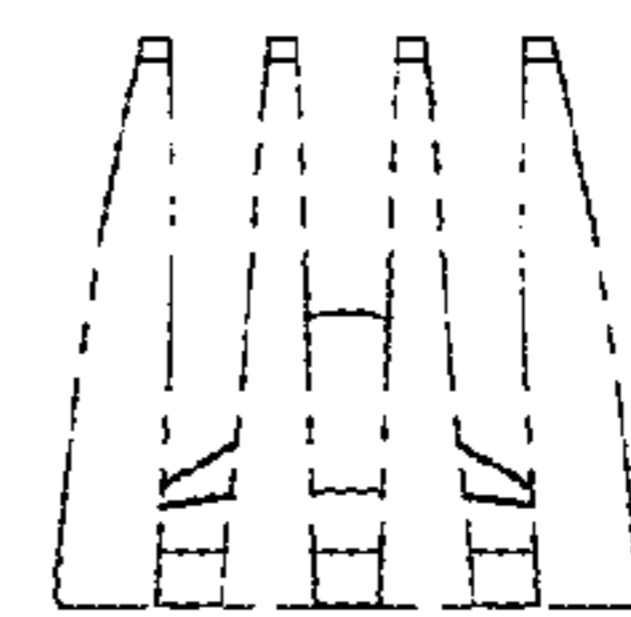


Fig. 5

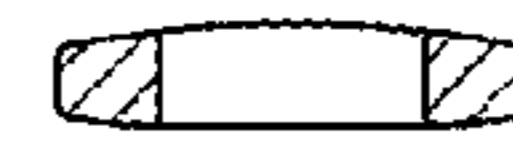


Fig. 6



Fig. 7

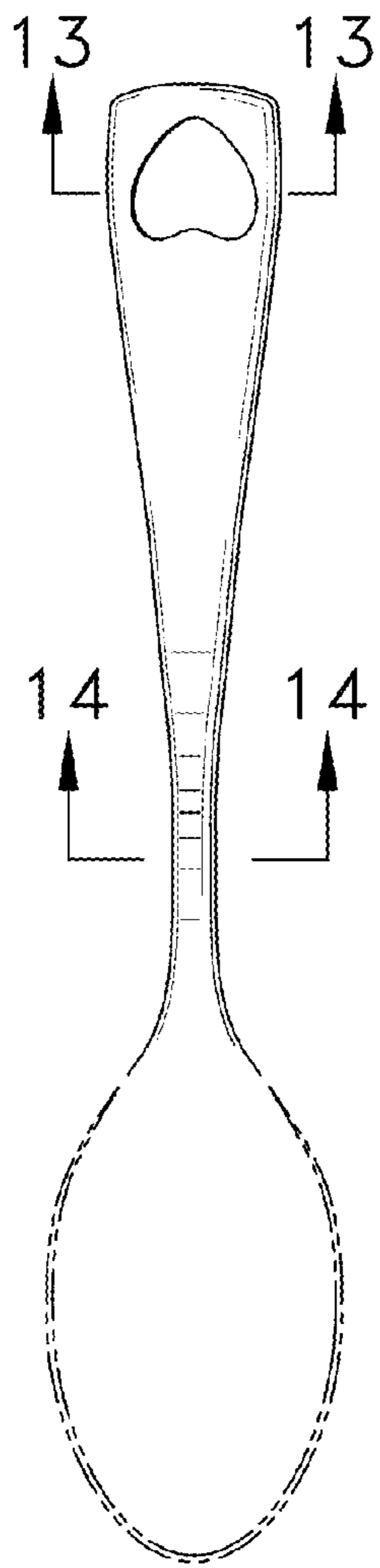


Fig. 8

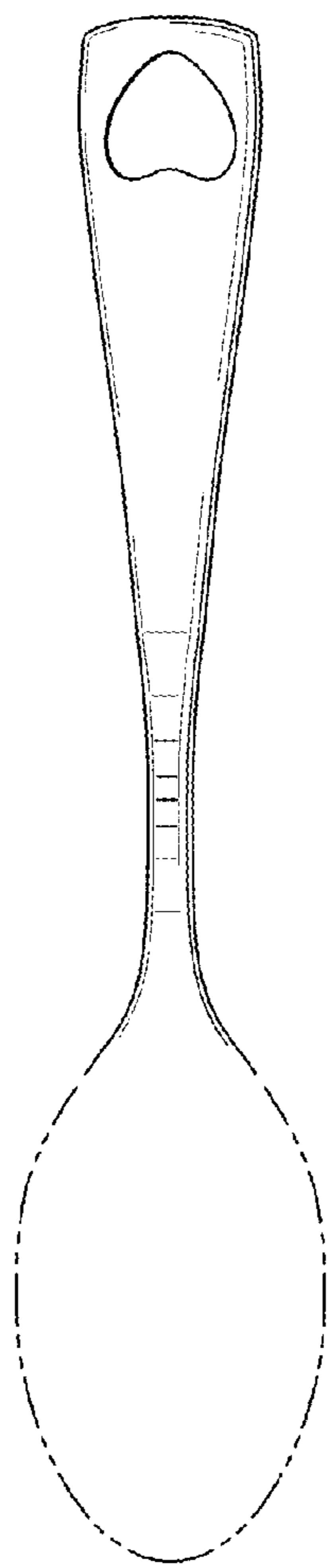


Fig. 9

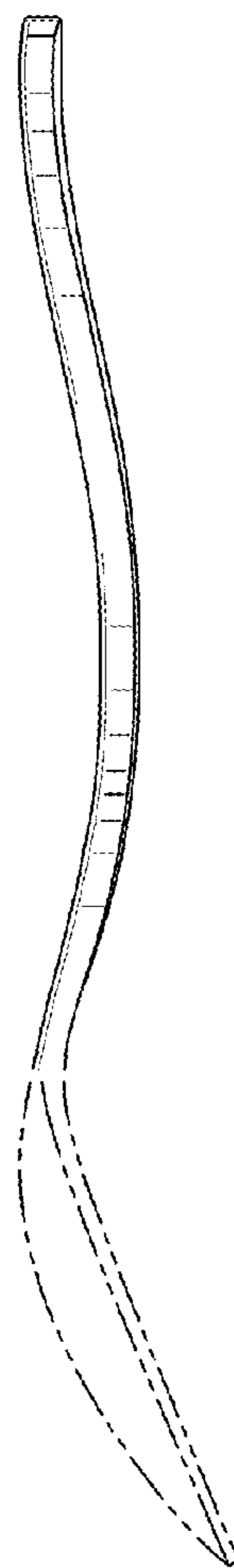


Fig. 10

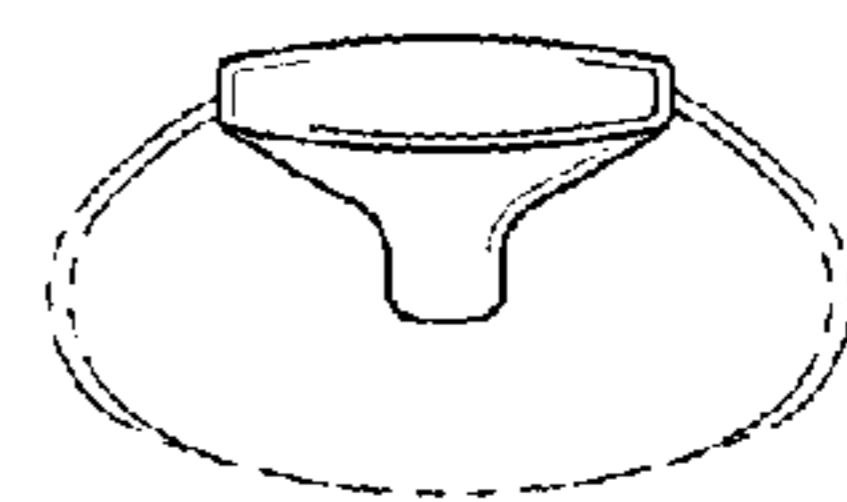


Fig. 11

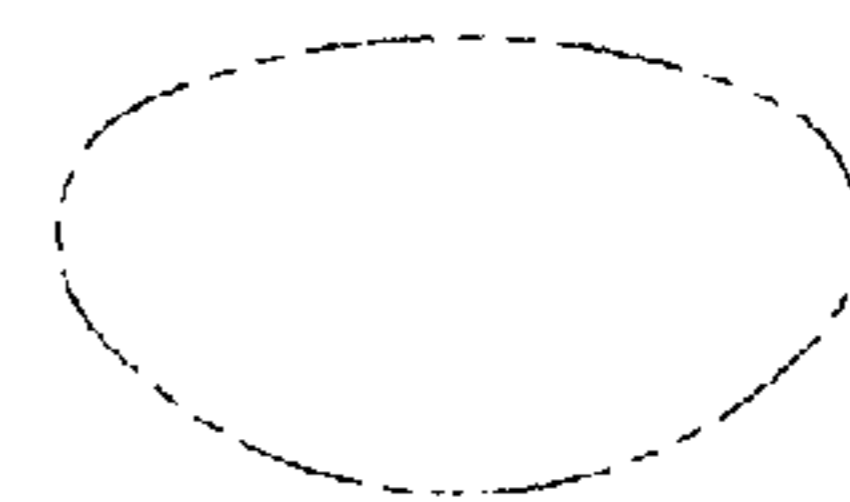


Fig. 12

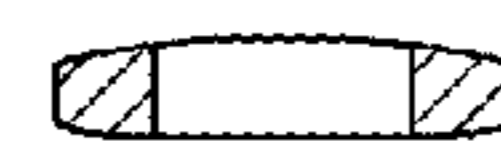


Fig. 13



Fig. 14