



US00D705005S

(12) **United States Design Patent**
Shane-Schuldt

(10) **Patent No.:** **US D705,005 S**
(45) **Date of Patent:** **** May 20, 2014**

(54) **FLATWARE**

(71) Applicant: **Oneida Ltd.**, Oneida, NY (US)

(72) Inventor: **Diane Shane-Schuldt**, Sherrill, NY (US)

(73) Assignee: **Oneida Ltd.**, Oneida, NY (US)

(**) Term: **14 Years**

(21) Appl. No.: **29/451,006**

(22) Filed: **Mar. 27, 2013**

(51) **LOC (10) Cl.** **07-03**

(52) **U.S. Cl.**

USPC **D7/401.2**; D7/642; D7/653; D7/661

(58) **Field of Classification Search**

USPC D7/368, 393-395, 401.2, 642-646,
D7/649-654, 660-664, 669, 675-677, 683,
D7/688-692, 695-696; 30/120.1, 137,
30/141-143, 147-150, 322-327, 329, 340,
30/342-344; 416/70 R, 75

See application file for complete search history.

(56) **References Cited**

U.S. PATENT DOCUMENTS

D24,495 S *	7/1895	Cole	D7/661
D37,023 S *	7/1904	Edwards	D7/661
D37,267 S *	12/1904	Hillbom	D7/653
D39,341 S *	6/1908	Olulee	D7/661
D107,018 S *	11/1937	Kintz	D7/661
D131,670 S *	3/1942	Nock	D7/661
D173,184 S *	10/1954	Bowlen	D7/661
D185,480 S *	6/1959	Young	D7/660
D196,605 S *	10/1963	Toffolon	D7/660
D202,653 S *	10/1965	Perry	D7/661
D203,476 S *	1/1966	Manderfield	D7/661
D208,880 S *	10/1967	Manderfield	D7/661
D210,910 S *	4/1968	Perry	D7/661

(Continued)

Primary Examiner — Ricky Pham

(74) *Attorney, Agent, or Firm* — Frost Brown Todd LLC

(57) **CLAIM**

The ornamental design for flatware, as shown and described.

DESCRIPTION

FIG. 1 is a top plan view of a new ornamental design for flatware embodied as a fork.

FIG. 2 is a bottom plan view thereof.

FIG. 3 is a side elevation view thereof, the opposite side being a mirror image.

FIG. 4 is an end view thereof, shown from the end of the handle.

FIG. 5 is an end view thereof, shown from the opposite end of that shown in FIG. 4.

FIG. 6 is a cross-sectional view taken along section line 6-6 of FIG. 1 to illustrate the peripheral shape of the article at the cross-section.

FIG. 7 is a cross-sectional view taken along section line 7-7 of FIG. 1 to illustrate the peripheral shape of the article at the cross-section.

FIG. 8 is a top plan view of a new ornamental design for flatware embodied as a spoon.

FIG. 9 is a bottom plan view thereof.

FIG. 10 is a side elevation view thereof, the opposite side being a mirror image.

FIG. 11 is an end view thereof, shown from the end of the handle.

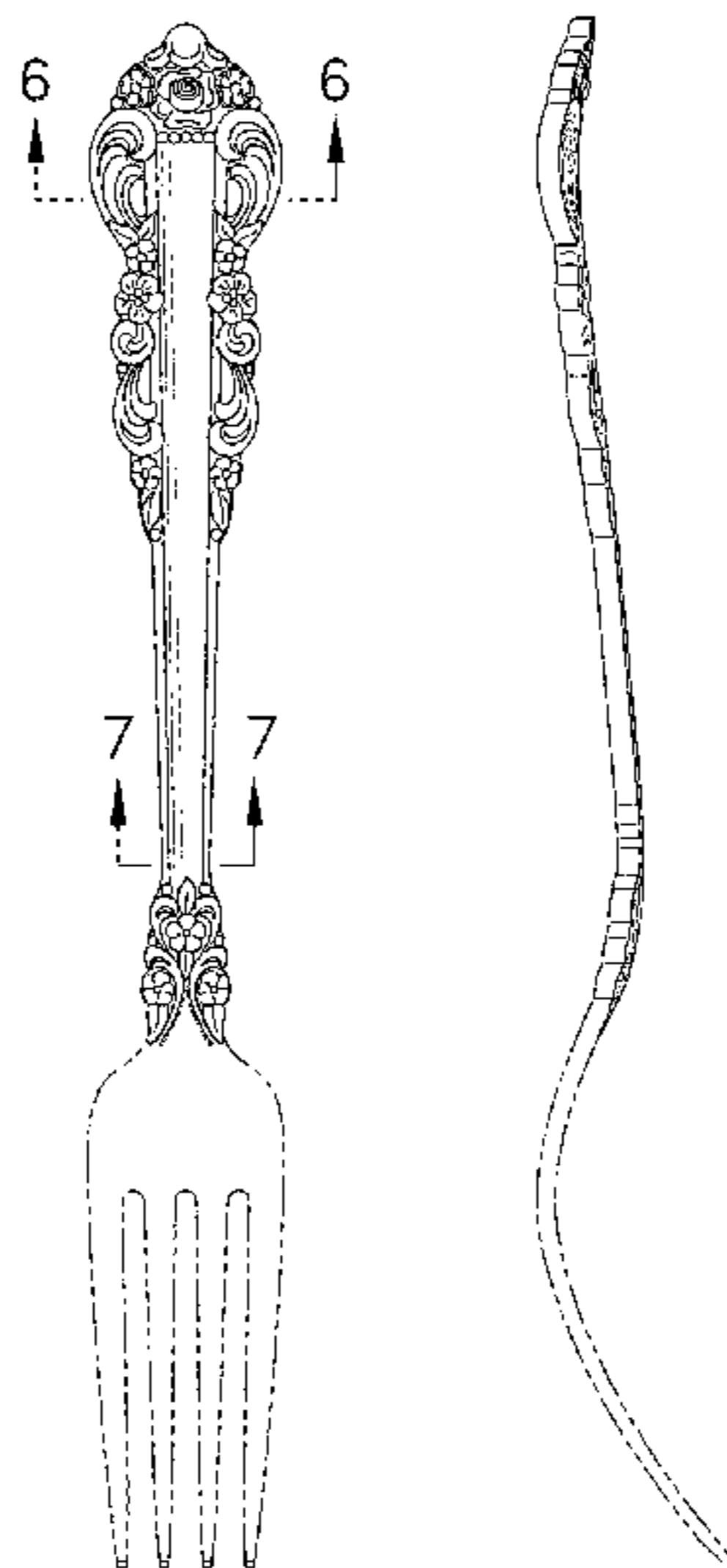
FIG. 12 is an end view thereof, shown from the opposite end of that shown in FIG. 11.

FIG. 13 is a cross-sectional view taken along section line 13-13 of FIG. 8 to illustrate the peripheral shape of the article at the cross-section; and,

FIG. 14 is a cross-sectional view taken along section line 14-14 of FIG. 8 to illustrate the peripheral shape of the article at the cross-section.

The broken lines in the drawings are included for purposes of illustrating portions of the article that form no part of the claimed design.

1 Claim, 2 Drawing Sheets



(56)

References Cited

U.S. PATENT DOCUMENTS

D218,640 S *	9/1970	Manderfield	D7/661	D254,469 S *	3/1980	Manderfield	D7/661
D225,021 S *	10/1972	Manderfield	D7/660	D254,531 S *	3/1980	Richmond, II	D7/661
D225,022 S *	10/1972	Manderfield	D7/660	D257,610 S *	12/1980	Knope	D7/651
D226,982 S *	5/1973	Manderfield	D7/661	D257,658 S *	12/1980	Knope	D7/660
D231,596 S *	5/1974	Manderfield	D7/661	D259,988 S *	7/1981	Richmond, II	D7/661
D236,068 S *	7/1975	Lea	D7/661	D262,508 S *	1/1982	Richmond, II	D7/661
D240,099 S *	6/1976	Lea	D7/661	D263,195 S *	3/1982	Manderfield	D7/661
D243,998 S *	4/1977	Zephries	D7/661	D270,888 S *	10/1983	Cassini	D7/661
D244,826 S *	6/1977	King	D7/660	D271,460 S *	11/1983	Cassini	D7/653
D245,388 S *	8/1977	Richmond, II	D7/661	D272,307 S *	1/1984	Cassini	D7/661
D249,450 S *	9/1978	Guodace	D7/645	D297,095 S *	8/1988	Richmond, II	D7/661
D252,375 S *	7/1979	Manderfield	D7/661	D297,096 S *	8/1988	Richmond, II	D7/661
					D303,200 S *	9/1989	Toffolon	D7/661
					D684,018 S *	6/2013	Lin	D7/645

* cited by examiner

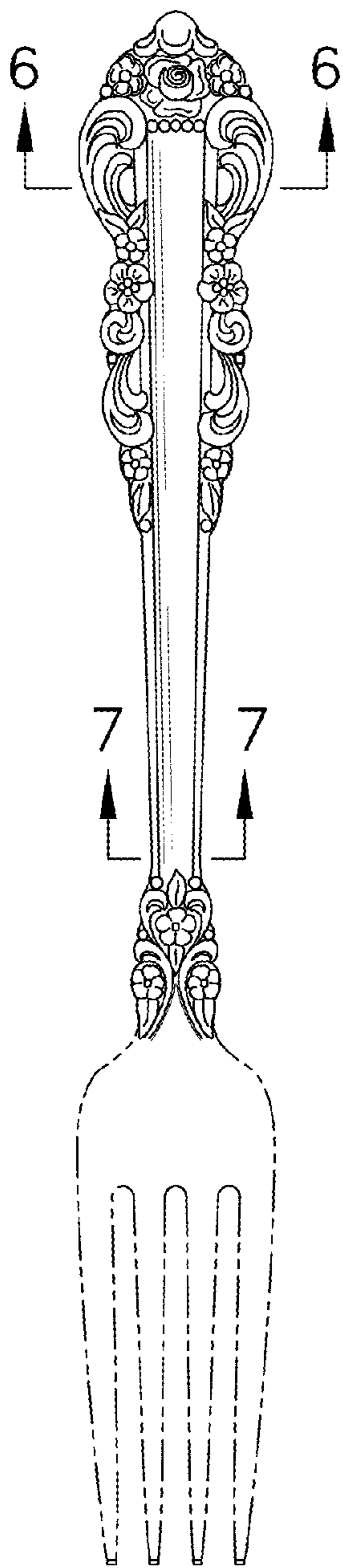


Fig. 1

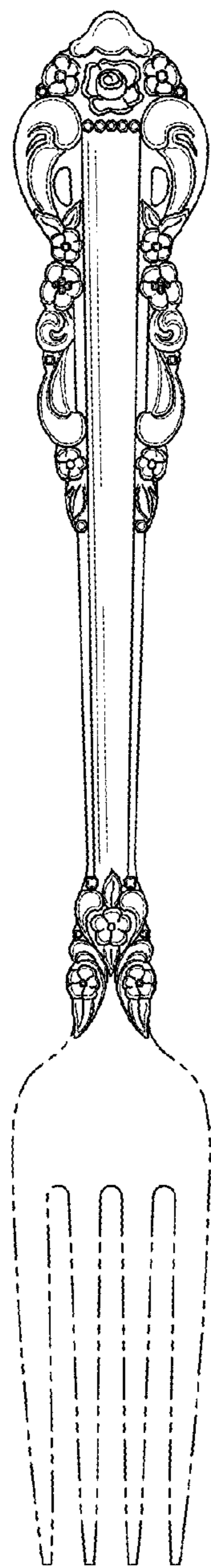


Fig. 2

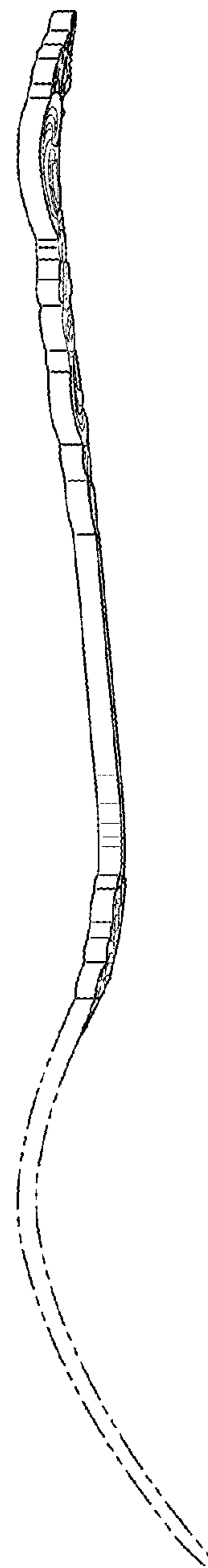


Fig. 3

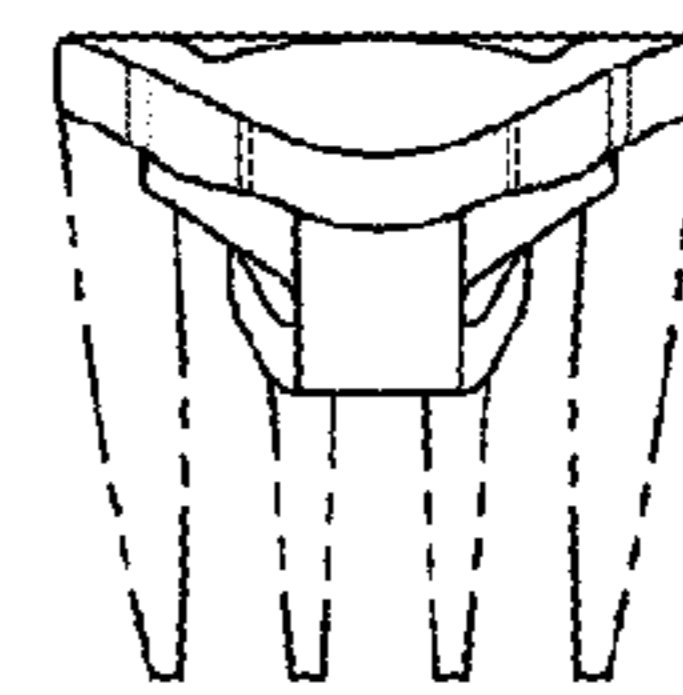


Fig. 4

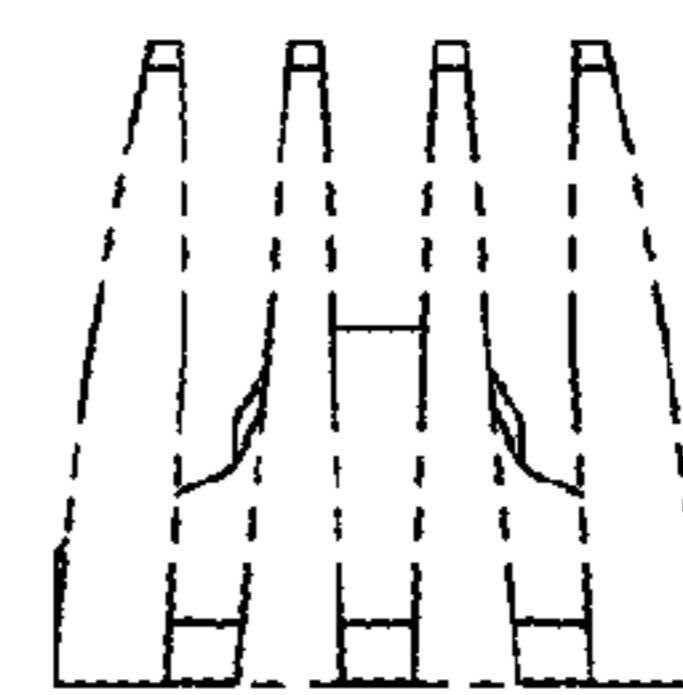


Fig. 5

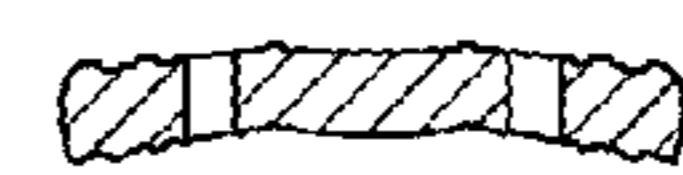


Fig. 6



Fig. 7

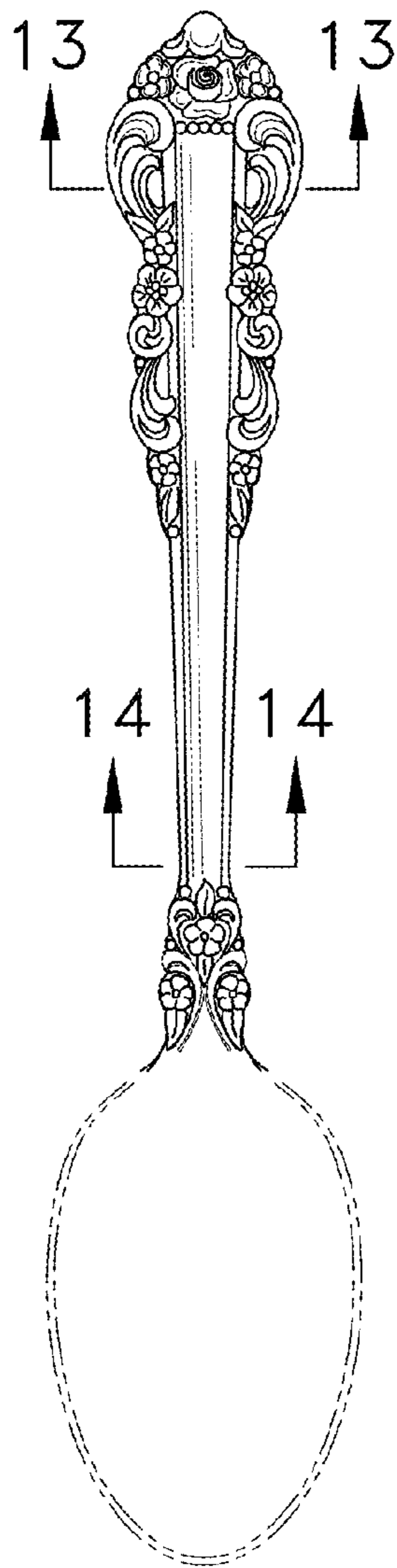


Fig. 8

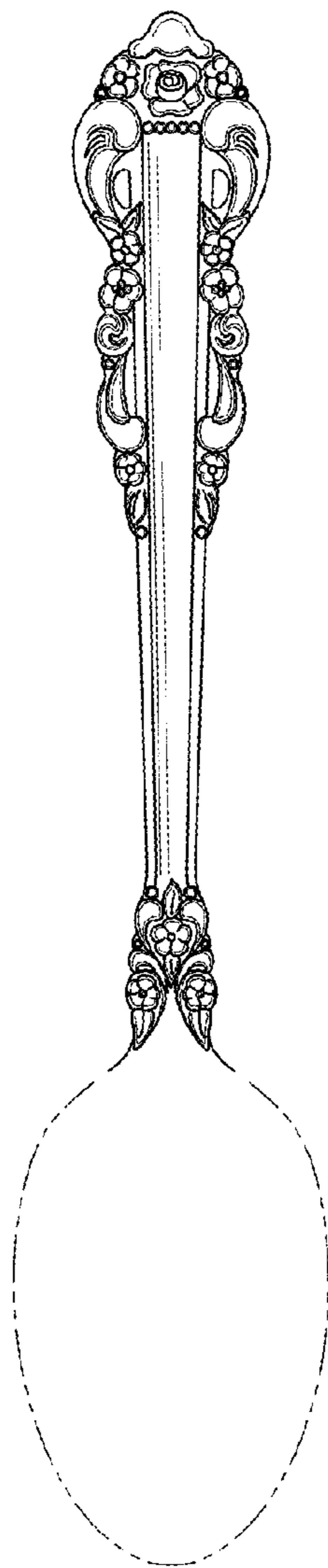


Fig. 9

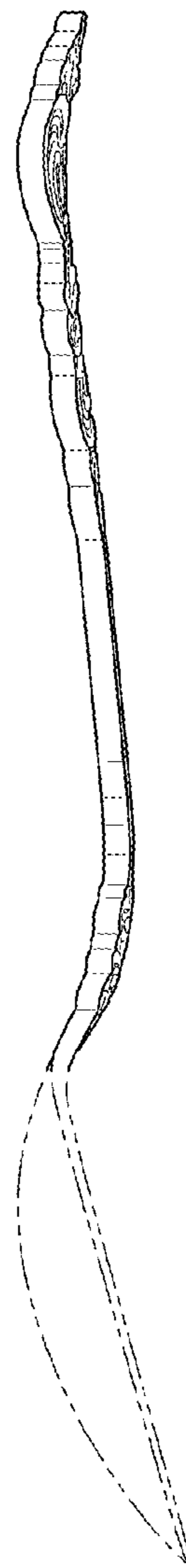


Fig. 10

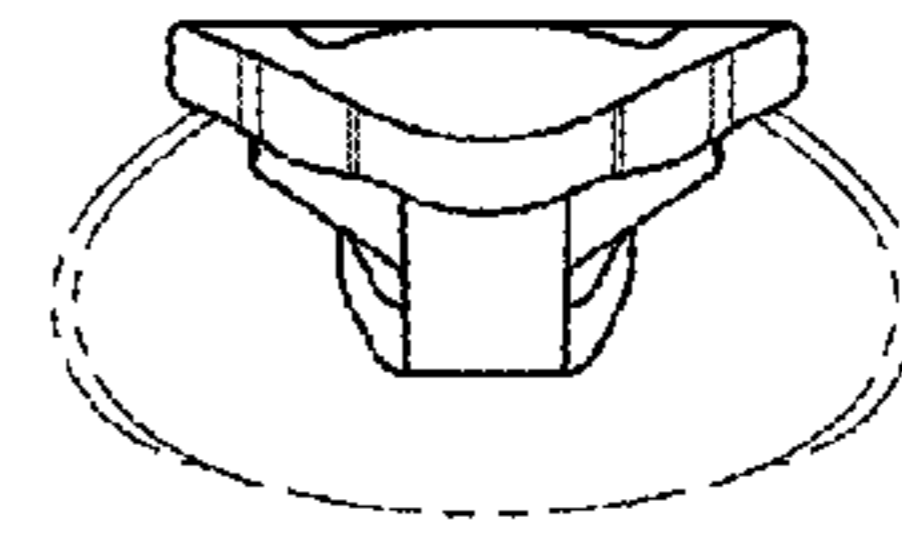


Fig. 11

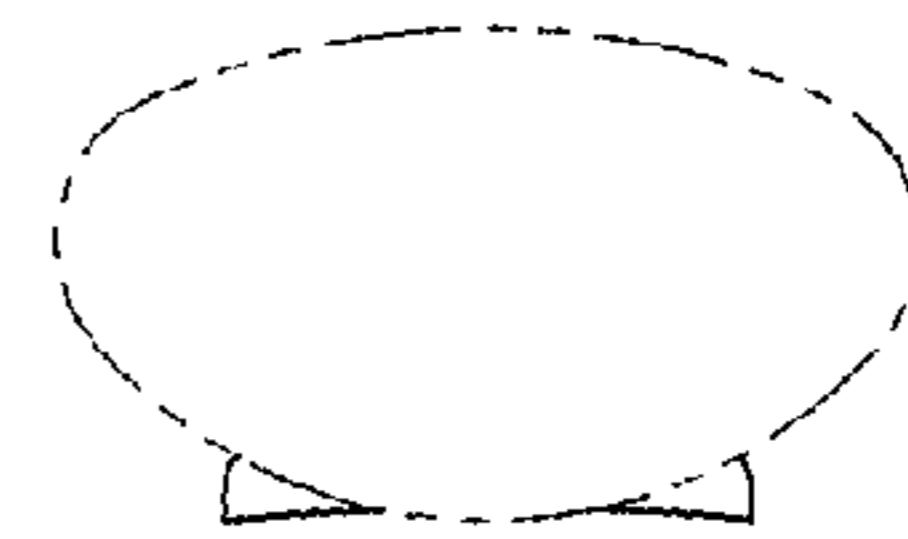


Fig. 12



Fig. 13



Fig. 14