



US00D705004S

(12) **United States Design Patent**
Mills et al.

(10) **Patent No.:** **US D705,004 S**

(45) **Date of Patent:** **** May 20, 2014**

(54) **WINE AERATOR**

(71) Applicant: **Brookstone Purchasing, Inc.,**
Merrimack, NH (US)

(72) Inventors: **Stephen B. Mills**, Atkinson, NH (US);
Christopher F. Petersen, Milford, NH (US)

(73) Assignee: **Brookstone Purchasing, Inc.,**
Merrimack, NH (US)

(**) Term: **14 Years**

(21) Appl. No.: **29/437,876**

(22) Filed: **Nov. 21, 2012**

(51) **LOC (10) Cl.** **07-99**

(52) **U.S. Cl.**
USPC **D7/397; D7/300.2**

(58) **Field of Classification Search**
USPC D7/400, 399, 397, 213, 387, 398, 392.2,
D7/700, 315, 396.2, 379, 376, 300.2, 380,
D7/377; D9/440, 439; 99/323.1, 275,
99/277.1; 261/76, 110, 30; 222/190, 450
See application file for complete search history.

(56) **References Cited**

U.S. PATENT DOCUMENTS

D169,829	S	*	6/1953	Seyfried et al.	D7/379
D271,215	S	*	11/1983	Hinkle	D19/66
4,494,452	A		1/1985	Barzso		
4,595,121	A	*	6/1986	Schultz	222/1
4,706,847	A	*	11/1987	Sankey et al.	222/1
4,785,724	A		11/1988	Vassallo		
5,154,112	A		10/1992	Wettern		
5,595,104	A		1/1997	Delaplaine		
D421,872	S	*	3/2000	Wong	D7/376
6,230,944	B1	*	5/2001	Castellano et al.	222/481.5
D493,330	S	*	7/2004	Lane	D7/395
D520,359	S	*	5/2006	Sach	D9/439

D533,023	S	*	12/2006	Lo	D7/379
D539,602	S	*	4/2007	Lin	D7/379
D631,291	S		1/2011	Kuschner et al.		
D640,904	S	*	7/2011	Wax	D7/700
D660,077	S	*	5/2012	Burns	D7/392.1
D677,525	S	*	3/2013	Luebke	D7/398
D682,691	S	*	5/2013	Hewitt et al.	D9/439
8,511,516	B2	*	8/2013	Klopfenstein et al.	222/190
8,561,970	B1	*	10/2013	Mills et al.	261/30
2010/0058933	A1		3/2010	Cheng		

* cited by examiner

Primary Examiner — Marianne Pandozzi

(74) *Attorney, Agent, or Firm* — Grossman Tucker Perreault & Pflieger, PLLC

(57) **CLAIM**

The ornamental design for a wine aerator, as shown and described.

DESCRIPTION

FIG. 1 is a right side perspective view of a wine aerator.
 FIG. 2 is a front elevation view thereof.
 FIG. 3 is a rear elevation view thereof.
 FIG. 4 is a left side elevation view thereof.
 FIG. 5 is a right side elevation view thereof.
 FIG. 6 is a top plan view thereof.
 FIG. 7 is a bottom plan view thereof.
 FIG. 8 is a front elevation view thereof, shown with an unclaimed stand.
 FIG. 9 is a right side perspective view of a wine aerator.
 FIG. 10 is a front elevation view thereof.
 FIG. 11 is a rear elevation view thereof.
 FIG. 12 is a left side elevation view thereof.
 FIG. 13 is a right side elevation view thereof.
 FIG. 14 is a top plan view thereof; and,
 FIG. 15 is a bottom plan view thereof.
 The broken lines in the figures are included for illustrative purposes and form no part of the claimed design.

1 Claim, 9 Drawing Sheets



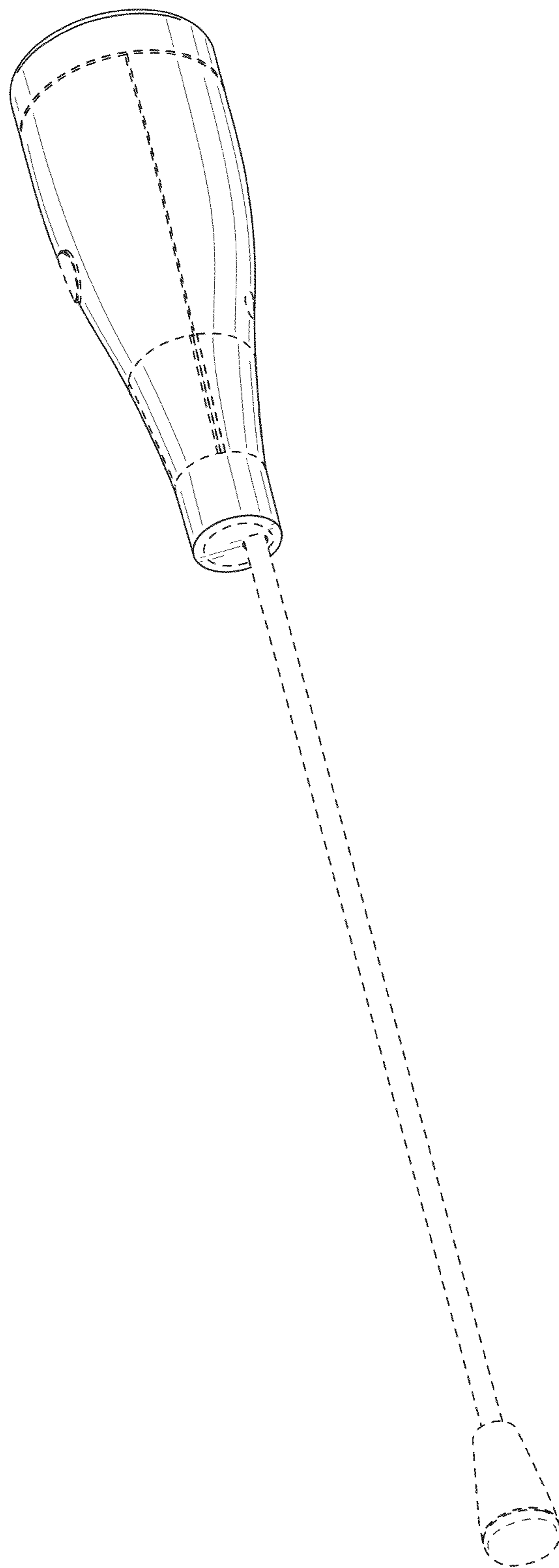


FIG. 1

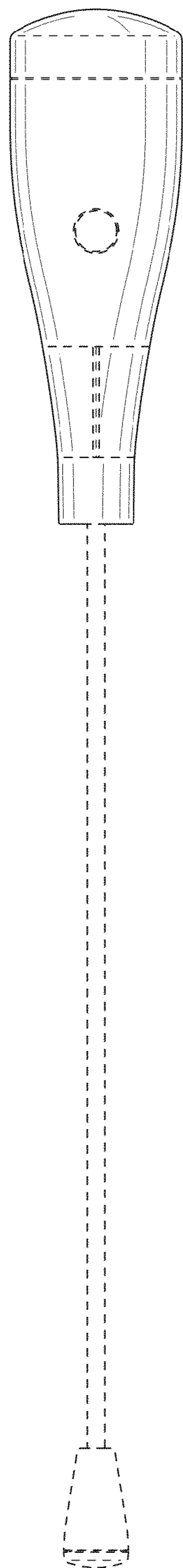


FIG. 2

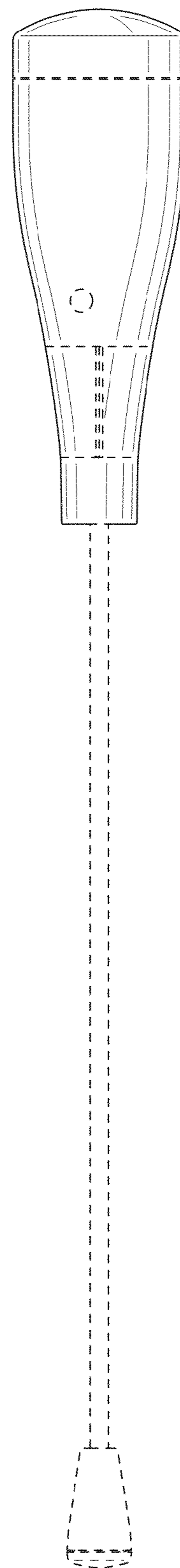


FIG. 3

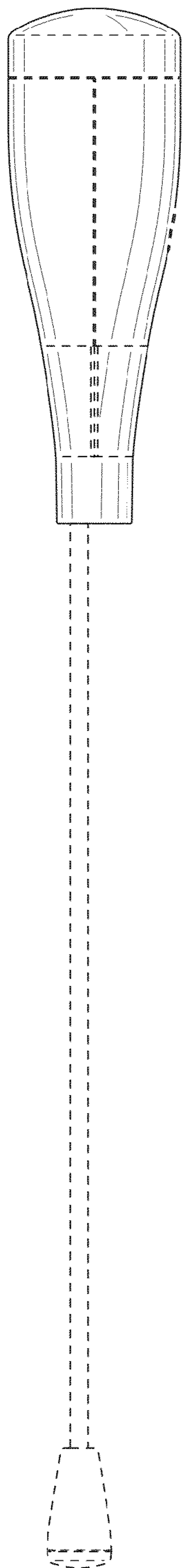


FIG. 4

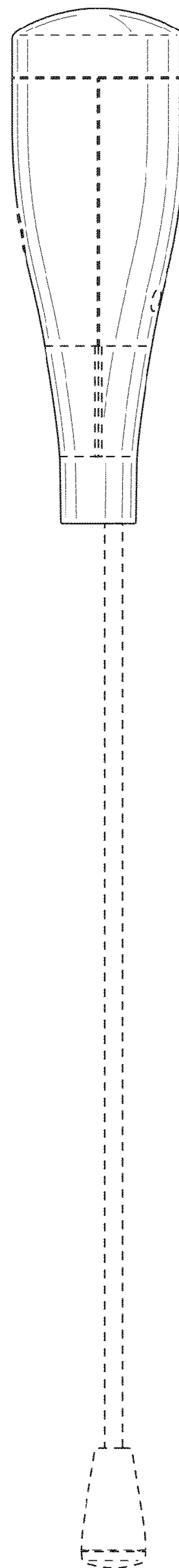


FIG. 5

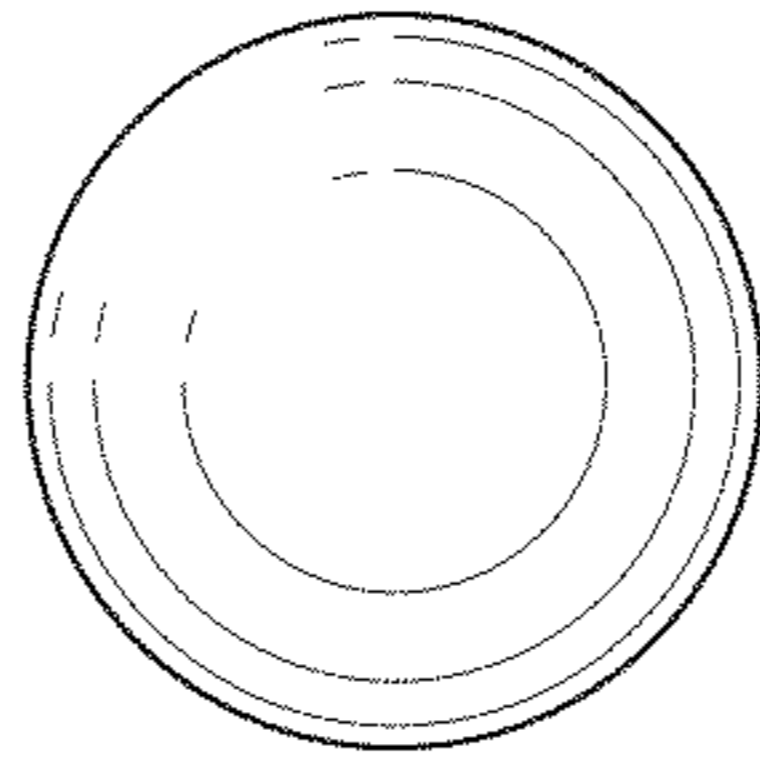


FIG. 6

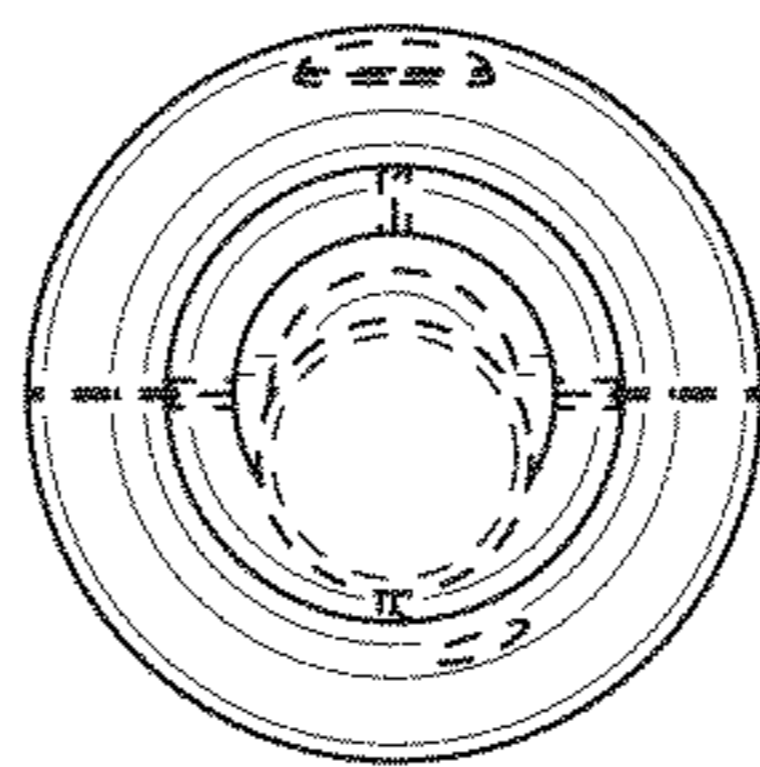


FIG. 7

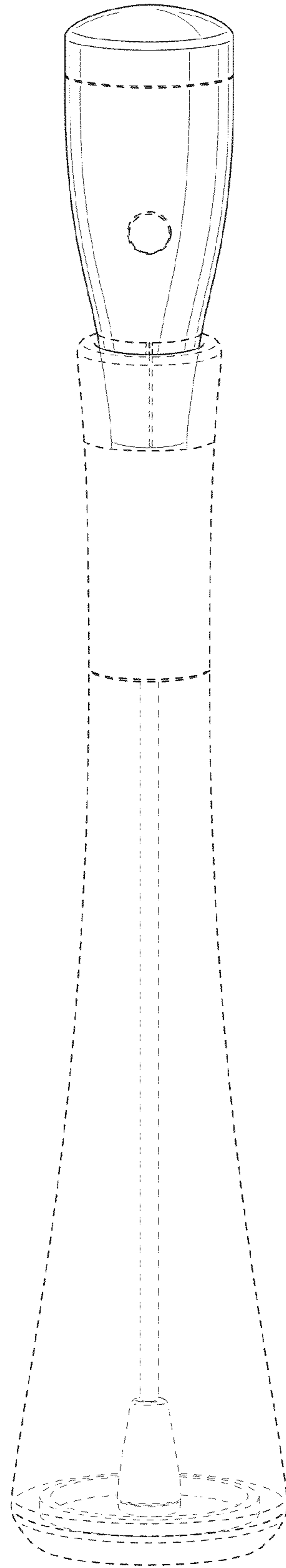


FIG. 8

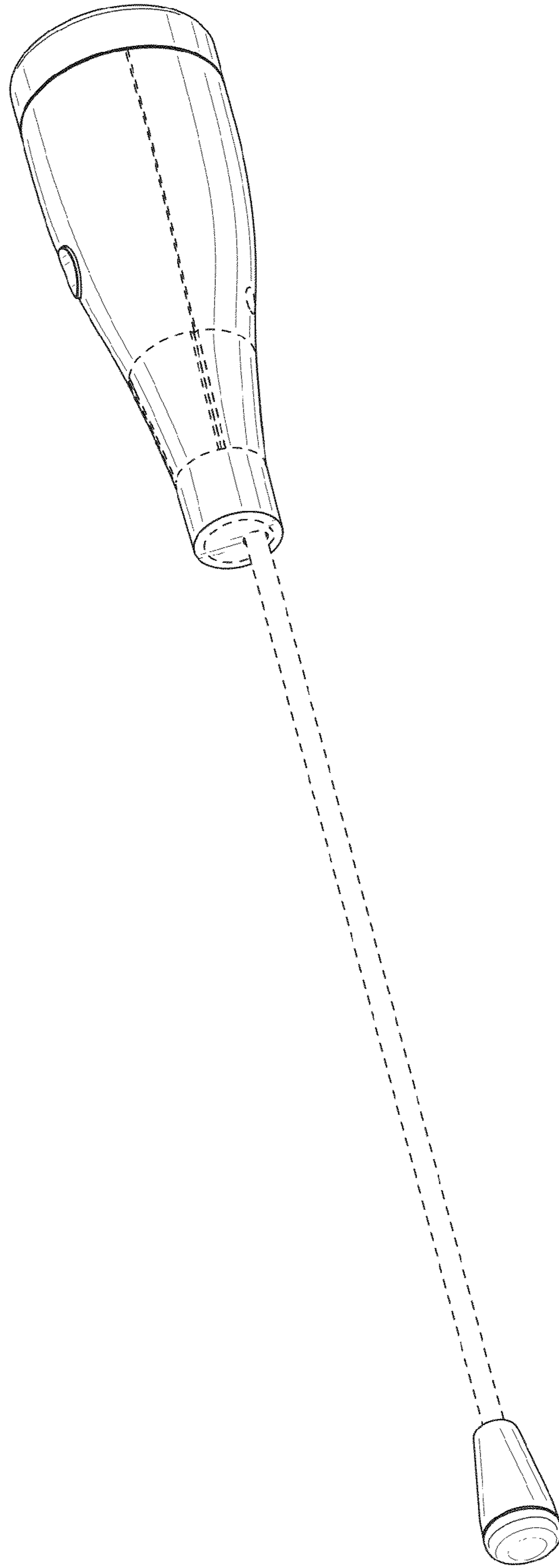


FIG. 9

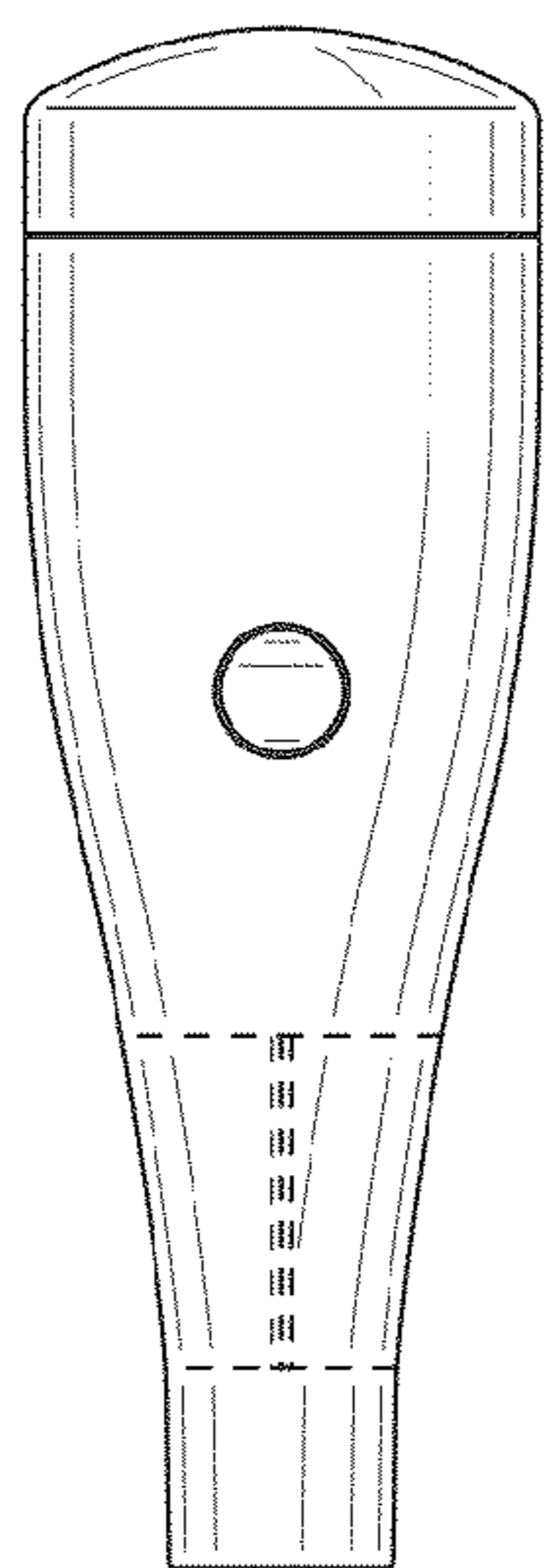


FIG. 10

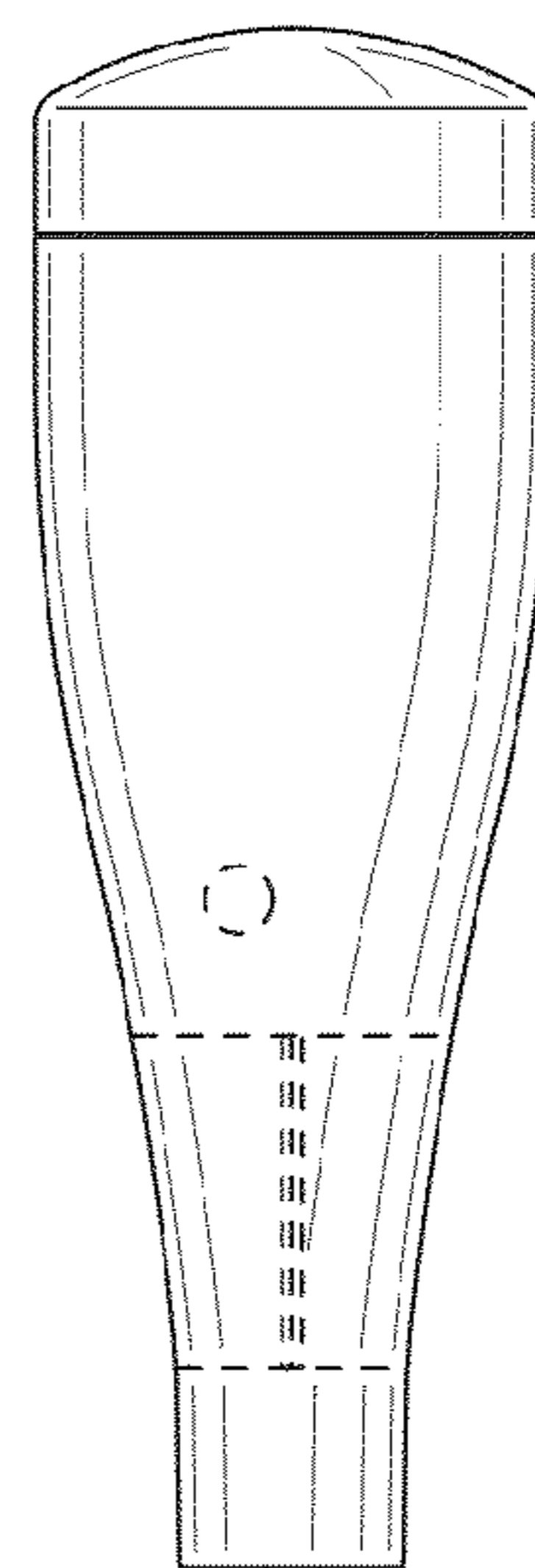


FIG. 11

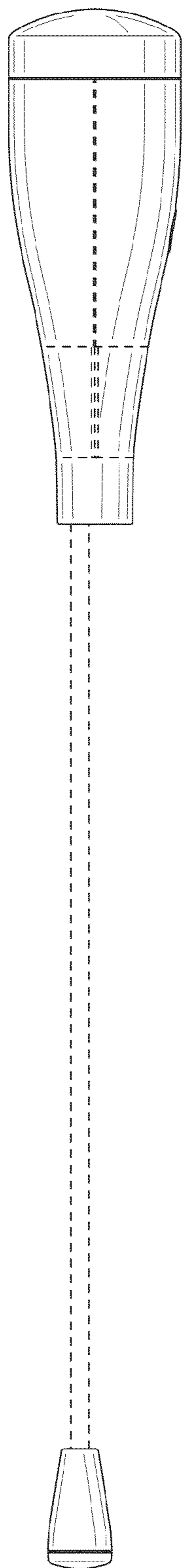


FIG. 12

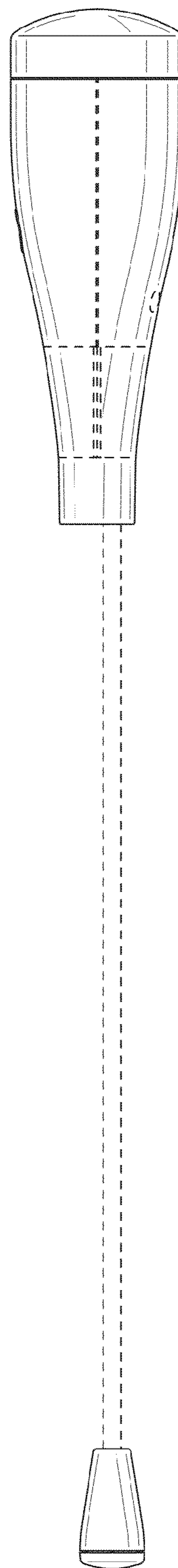


FIG. 13

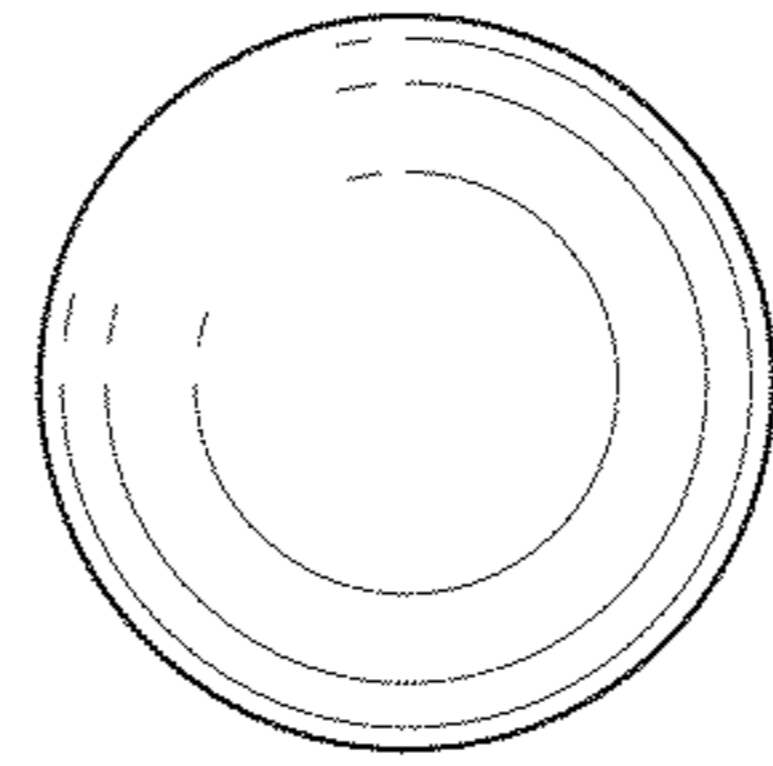


FIG. 14

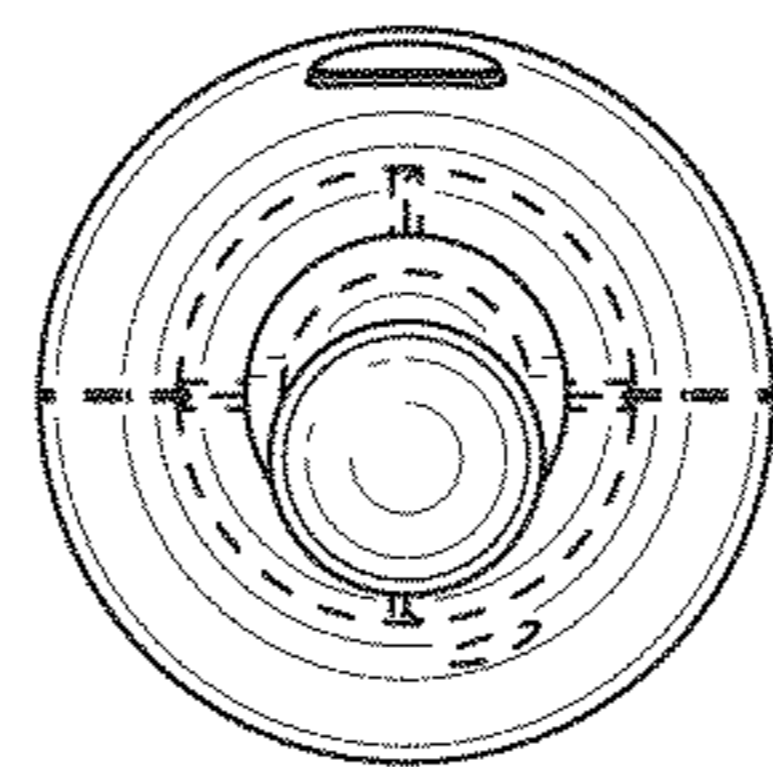


FIG. 15