



US00D705002S

(12) **United States Design Patent**
Delassus

(10) **Patent No.:** **US D705,002 S**

(45) **Date of Patent:** **** May 20, 2014**

(54) **HANDLE**

(71) Applicant: **TEFAL**, Rumilly (FR)

(72) Inventor: **Elodie Delassus**, Bernin (FR)

(73) Assignee: **TEFAL** (FR)

(**) Term: **14 Years**

(21) Appl. No.: **29/460,600**

(22) Filed: **Jul. 12, 2013**

(30) **Foreign Application Priority Data**

Jan. 14, 2013 (EM) 002166165-0001

(51) **LOC (10) Cl.** **07-02**

(52) **U.S. Cl.**
USPC **D7/395**

(58) **Field of Classification Search**

USPC D7/354-361, 393-395, 401.2, 664;
D8/107, 300, 303, 307, 313, 321;
D4/138, 129; 16/421, 430, 431, 110.1,
16/407; 220/573.1-573.5, 752, 753, 755,
220/756, 759, 767, 771, 912

See application file for complete search history.

(56) **References Cited**

U.S. PATENT DOCUMENTS

D438,055	S	*	2/2001	Munari	D7/395
D442,025	S	*	5/2001	Rae	D7/395
D447,383	S	*	9/2001	Rae	D7/395
D491,016	S	*	6/2004	Rae	D7/395
D512,602	S	*	12/2005	Spagnolo	D7/395
D523,690	S	*	6/2006	Giannone	D7/395
D577,541	S	*	9/2008	Giannone	D7/393
D617,140	S	*	6/2010	Rae	D7/395
D630,470	S	*	1/2011	McEldowney	D7/395
D644,872	S	*	9/2011	McEldowney	D7/395
D650,216	S	*	12/2011	Rae	D7/395

* cited by examiner

Primary Examiner — Cynthia M Chin

(74) *Attorney, Agent, or Firm* — The Webb Law Firm

(57) **CLAIM**

The ornamental design for a handle, as shown and described.

DESCRIPTION

FIG. 1 is an upper right front perspective view of a handle, showing my new design;
FIG. 2 is a left side view thereof;
FIG. 3 is a right side view thereof;
FIG. 4 is a bottom view thereof;
FIG. 5 is a top view thereof;
FIG. 6 is a rear view thereof; and,
FIG. 7 is a front view thereof.

1 Claim, 3 Drawing Sheets



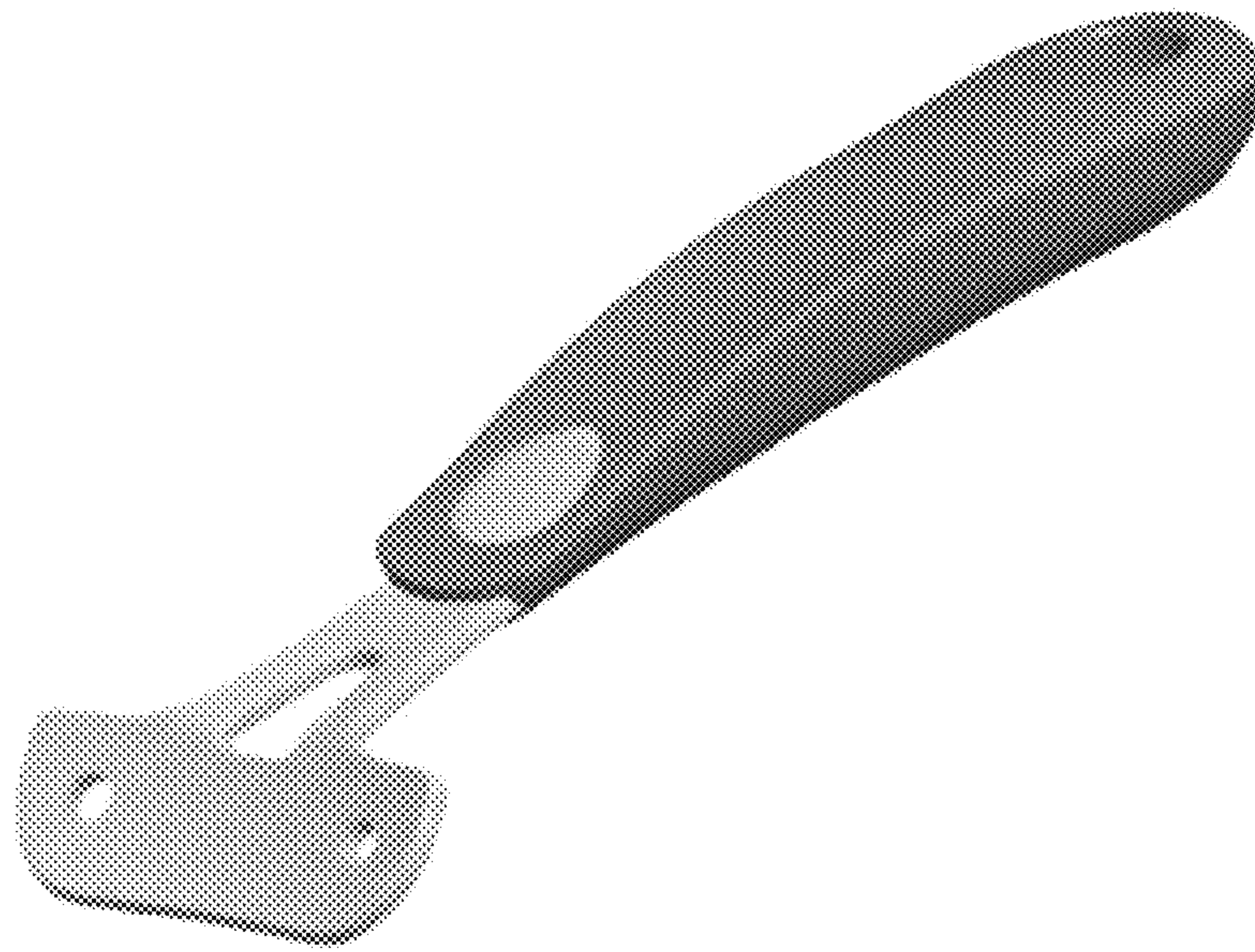


FIG. 1

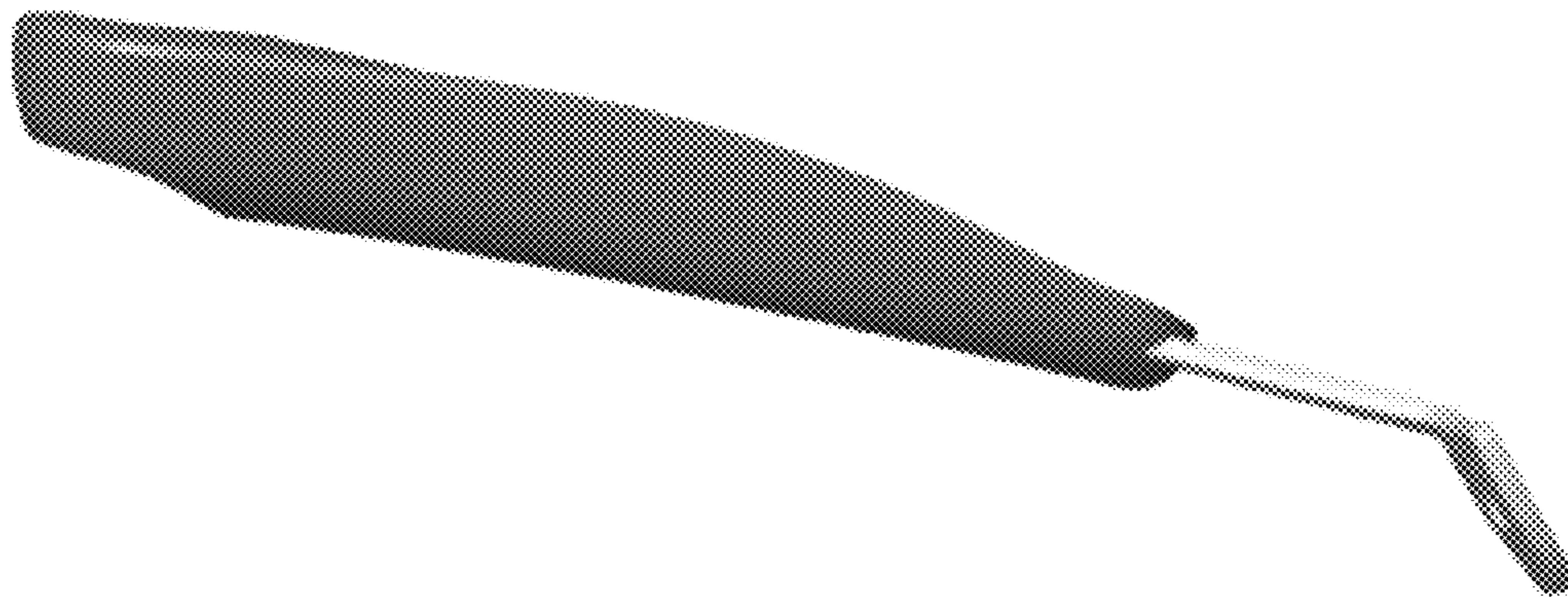


FIG. 2

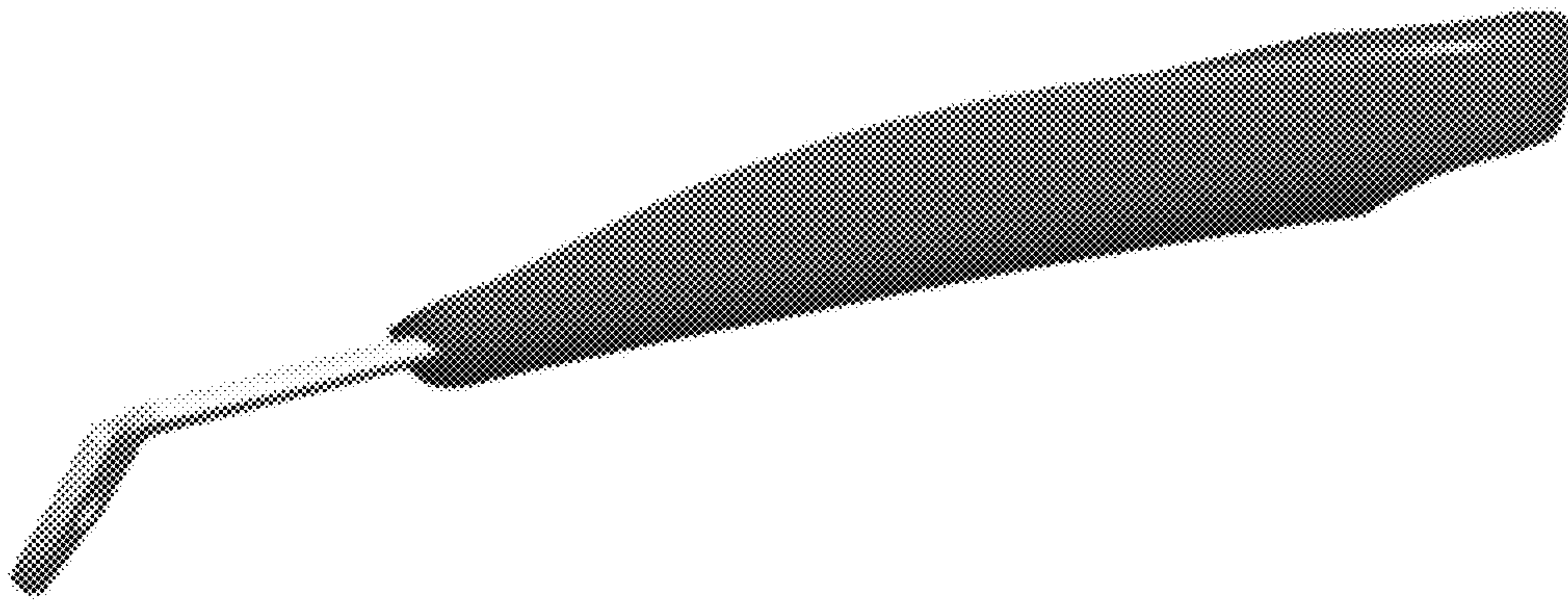


FIG. 3

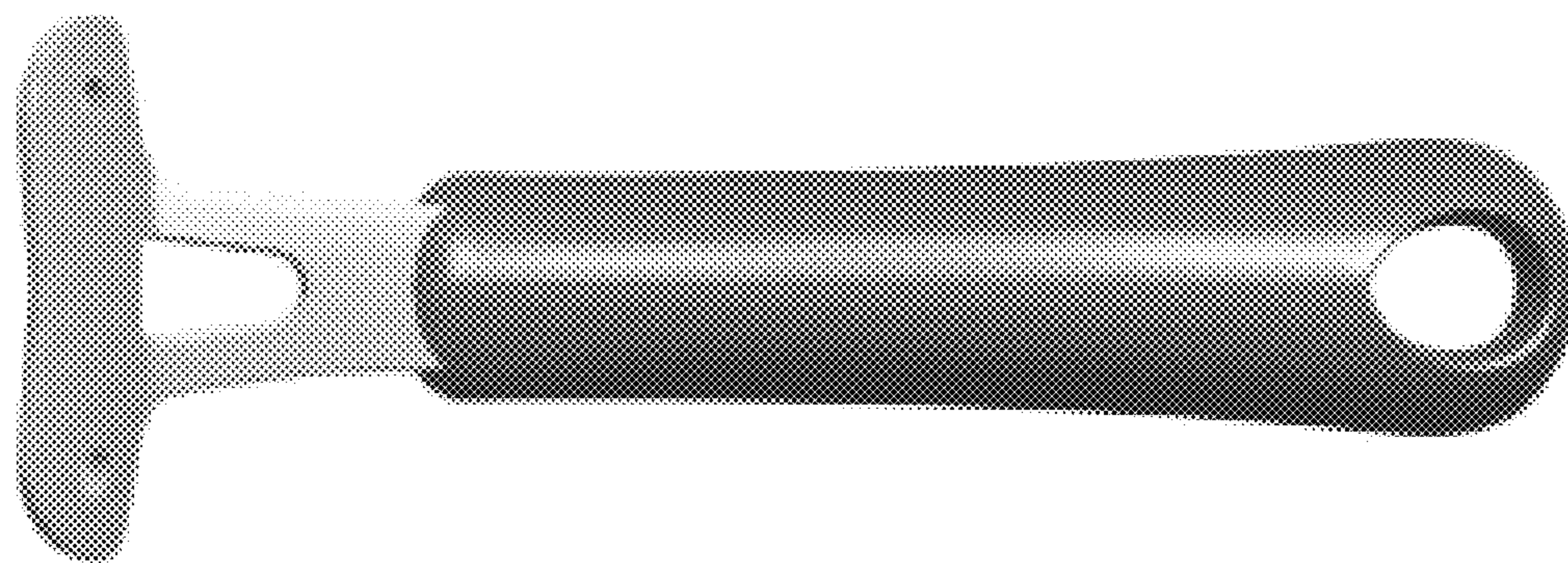


FIG. 4

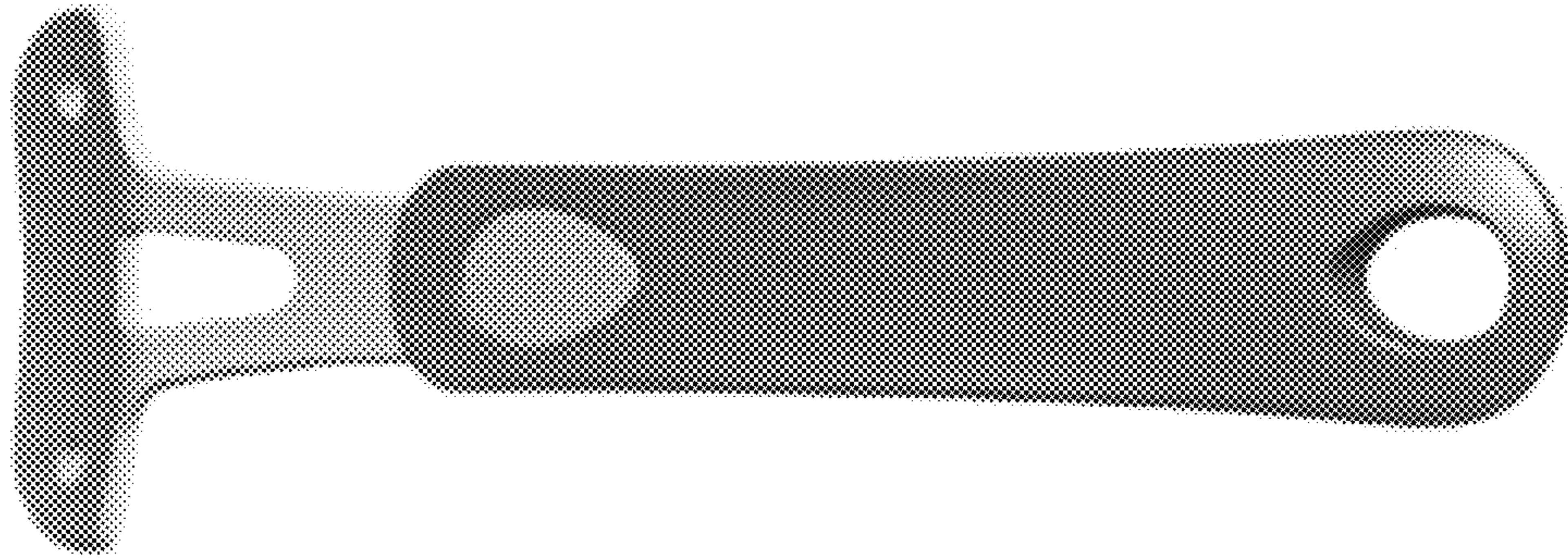


FIG. 5

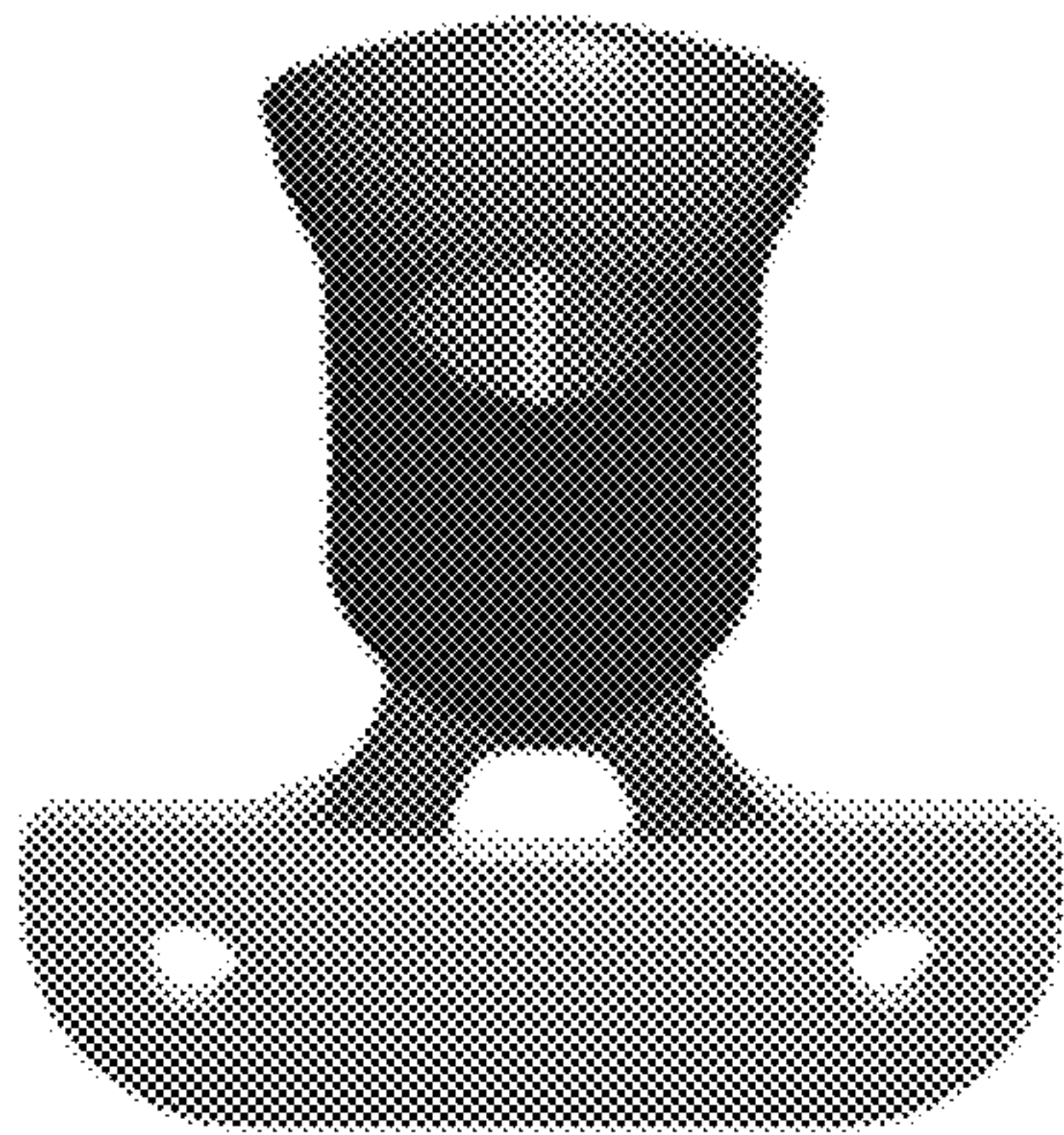


FIG. 6

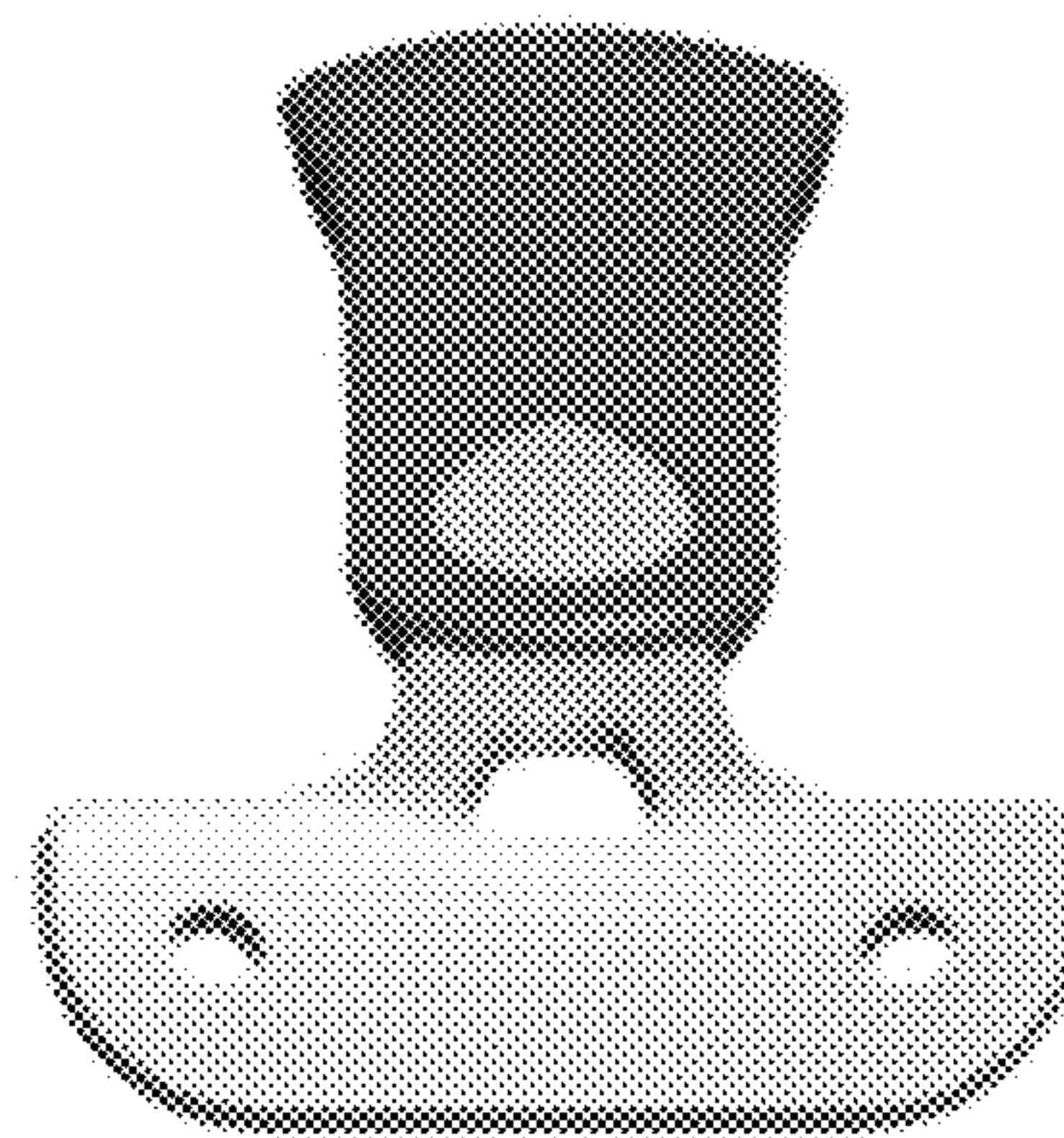


FIG. 7