



US00D705001S

(12) **United States Design Patent**  
**Rae**

(10) **Patent No.:** **US D705,001 S**

(45) **Date of Patent:** **\*\* May 20, 2014**

(54) **ELONGATED SIDE HANDLE FOR COOKWARE**

D667,691 S \* 9/2012 Rae ..... D7/395  
D667,693 S \* 9/2012 Rae ..... D7/395  
D682,023 S \* 5/2013 Rae ..... D7/395

(71) Applicant: **Meyer Intellectual Properties Ltd.,**  
Kowloon (HK)

\* cited by examiner

(72) Inventor: **Robert A. Rae,** Las Vegas, NV (US)

*Primary Examiner* — Cynthia M Chin

(73) Assignee: **Meyer Intellectual Properties Limited**  
(VG)

(74) *Attorney, Agent, or Firm* — Edward S. Sherman

(\*\*) Term: **14 Years**

(57) **CLAIM**

The ornamental design for an elongated side handle for cookware, as shown and described.

(21) Appl. No.: **29/460,525**

**DESCRIPTION**

(22) Filed: **Jul. 11, 2013**

(51) **LOC (10) Cl.** ..... **07-02**

(52) **U.S. Cl.**  
USPC ..... **D7/395**

(58) **Field of Classification Search**  
USPC ..... D7/354–361, 393–395, 401.2, 664;  
D8/107, 300, 321; D4/138, 129;  
16/421, 430, 431, 110.1, 407;  
220/573.1–573.5, 752, 753, 755, 756,  
220/759, 767, 771, 912  
See application file for complete search history.

FIG. 1 is a perspective view of a first embodiment of the elongated side handle for cookware showing my new design; FIG. 2 is a right side elevation view thereof; the left side elevation view being the mirror image thereof, FIG. 3 is a top plan view thereof; FIG. 4 is a bottom plan view thereof; FIG. 5 is a front elevation view thereof; FIG. 6 is a rear elevation view thereof; FIG. 7 is a perspective view of a second embodiment of my new design; FIG. 8 is a right side elevation view thereof; the left side elevation view being the mirror image thereof; FIG. 9 is a top plan view thereof; FIG. 10 is a bottom plan view thereof; FIG. 11 is a front elevation view thereof; and, FIG. 12 is a rear elevation view thereof.

(56) **References Cited**

**U.S. PATENT DOCUMENTS**

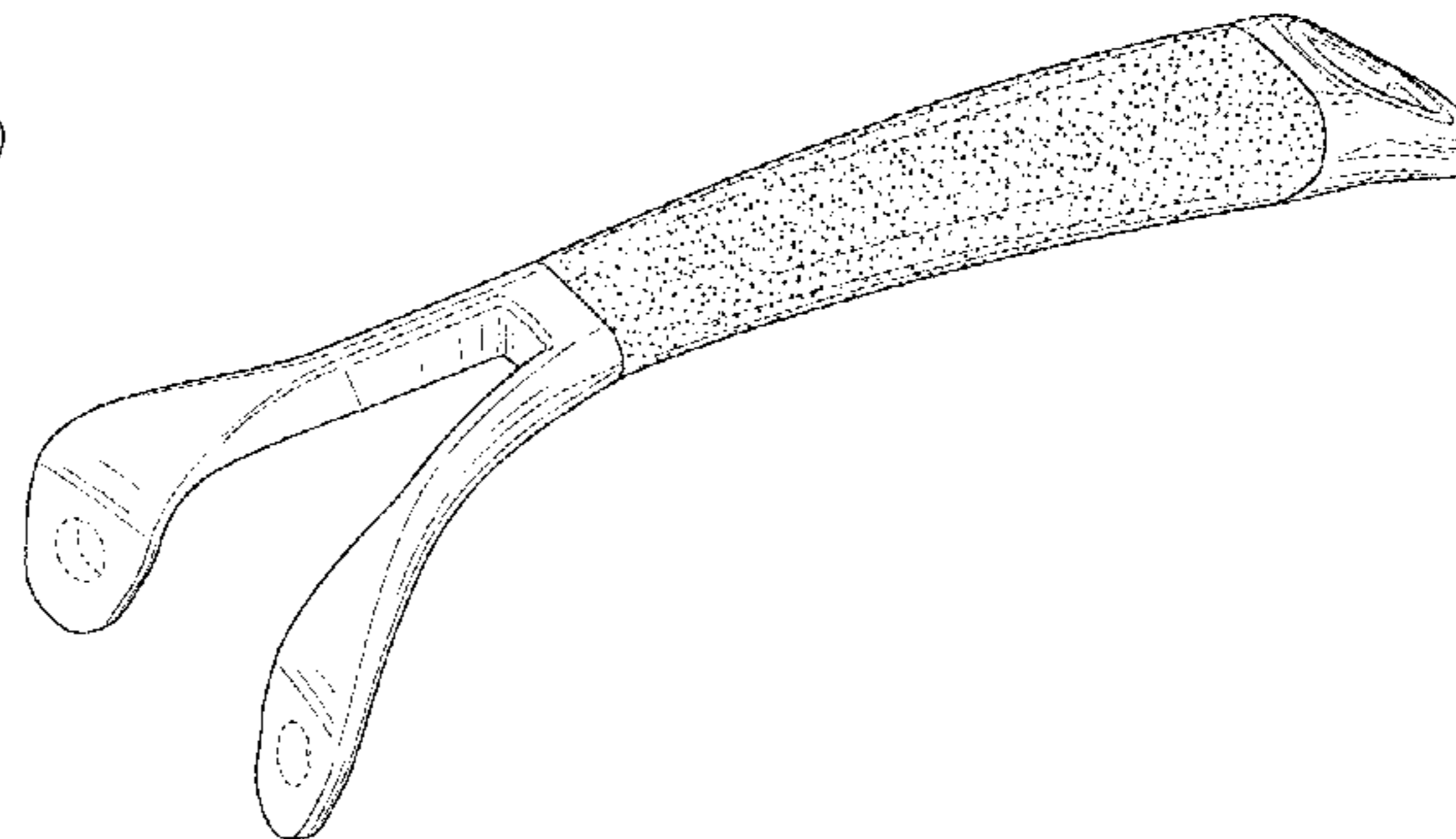
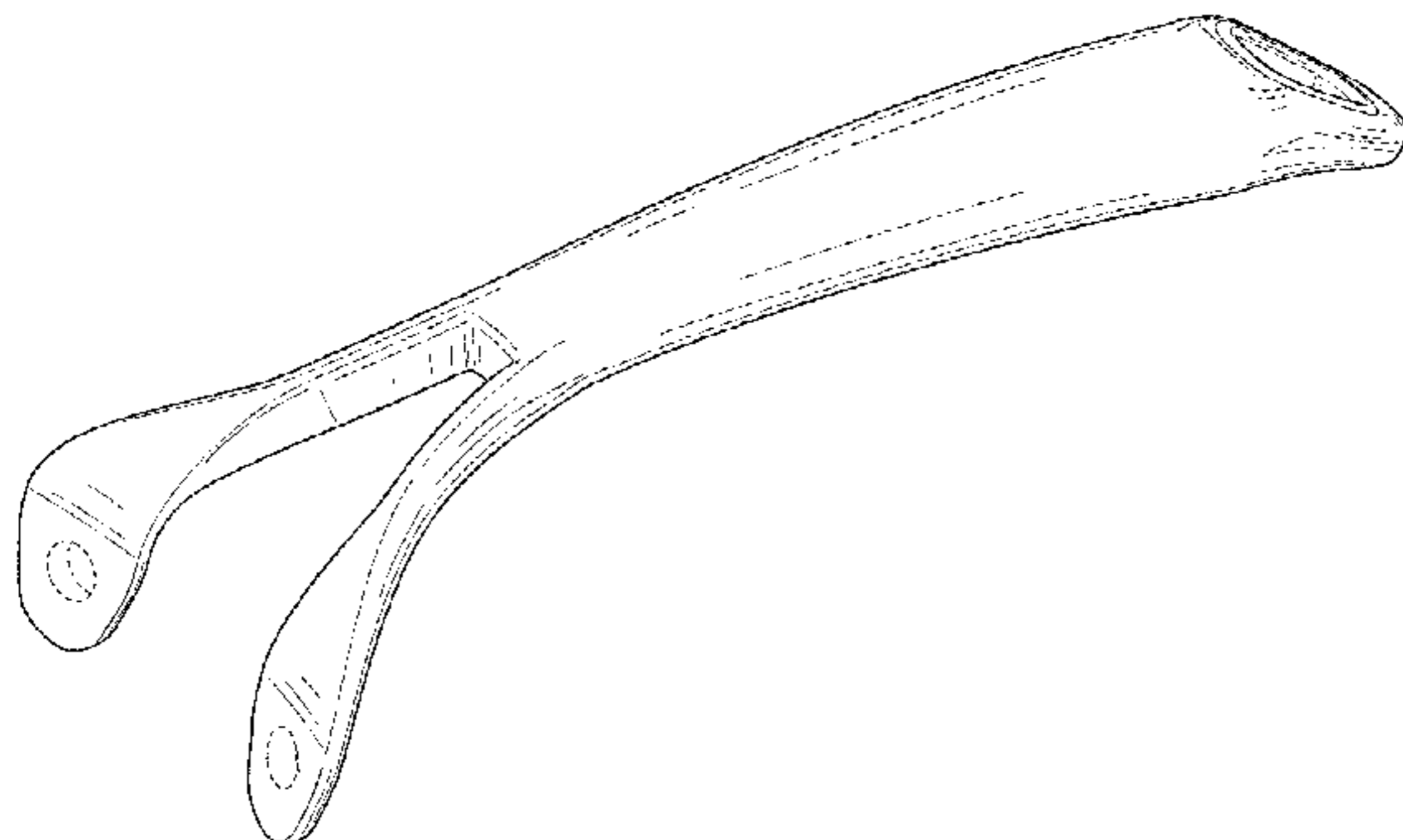
D555,421 S \* 11/2007 Thurlow et al. .... D7/393  
D567,579 S \* 4/2008 Rae ..... D7/393  
D569,682 S \* 5/2008 Prakasa ..... D7/393  
D578,345 S \* 10/2008 Rae ..... D7/393  
D589,744 S \* 4/2009 Rae ..... D7/395  
D599,165 S \* 9/2009 Rae ..... D7/395  
D613,551 S \* 4/2010 Pantaleo ..... D7/395  
D630,889 S \* 1/2011 Rae ..... D7/395  
D644,871 S \* 9/2011 Rae ..... D7/395  
D645,698 S \* 9/2011 Rae ..... D7/395

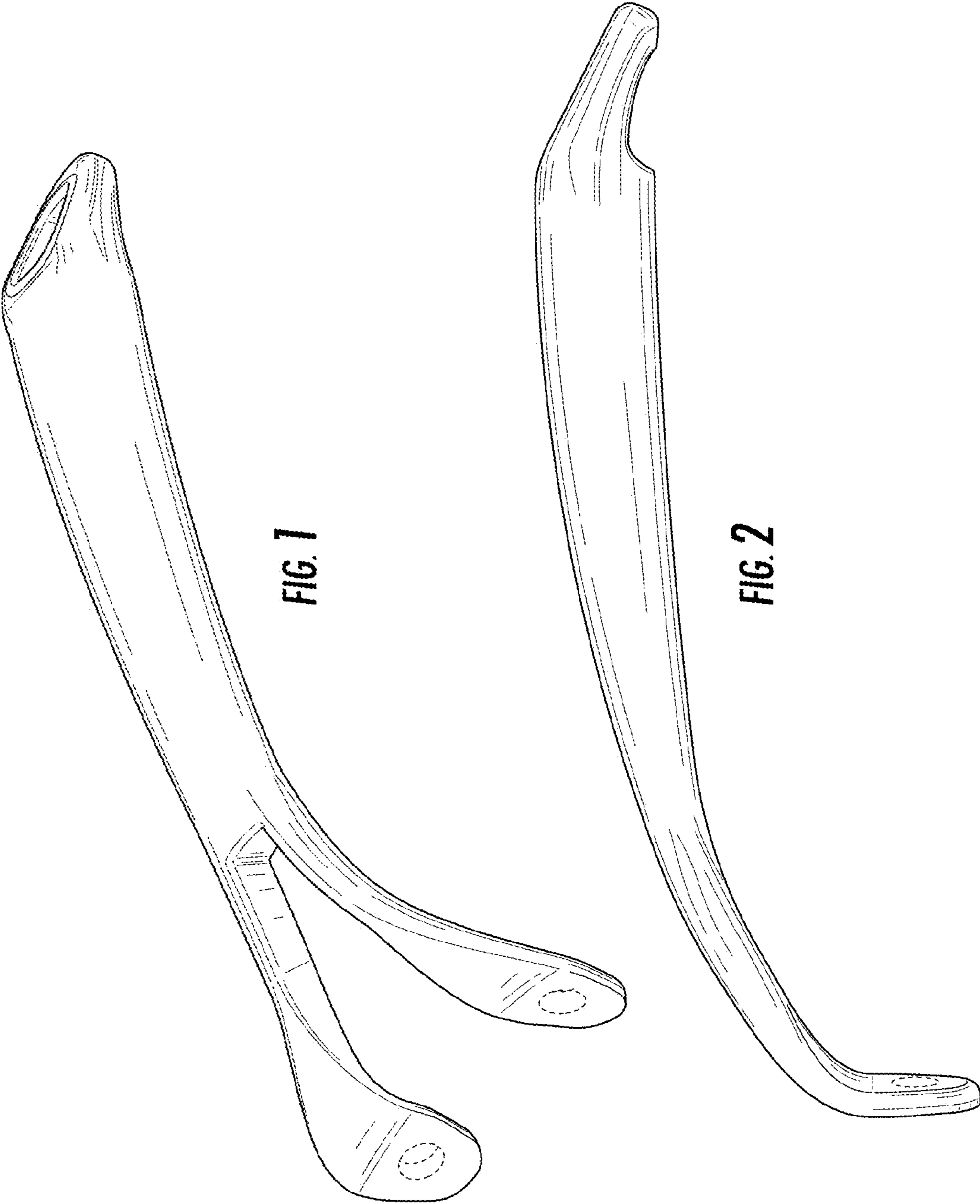
The broken lines in FIGS. 1, 2, 5, 6, 7, 8, 11 and 12 are for illustrative purposes only, depicting the environment of the new design, forming no part thereof as claimed.

The stippling represents a contrasting surface appearance and is not intended to represent color.

The surface curvature in the second embodiment is the same as the first embodiment. The second embodiment has a grip portion with a contrasting surface appearance as illustrated by the use of stippling.

**1 Claim, 6 Drawing Sheets**





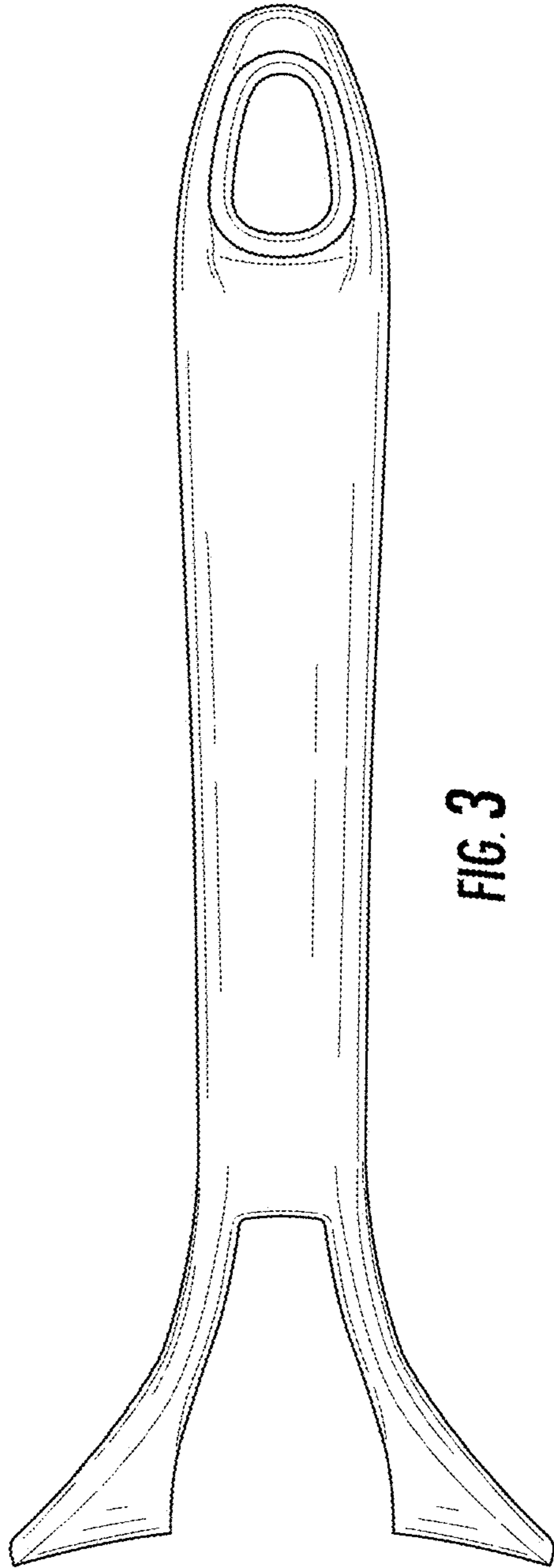


FIG. 3

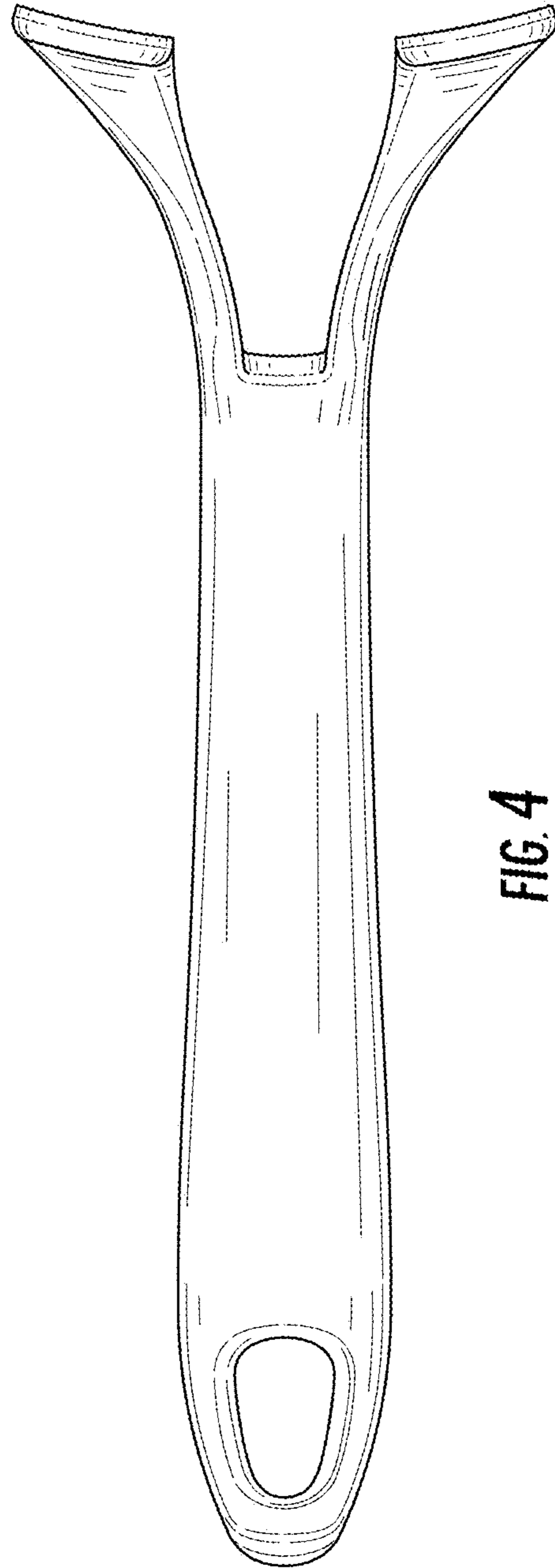


FIG. 4

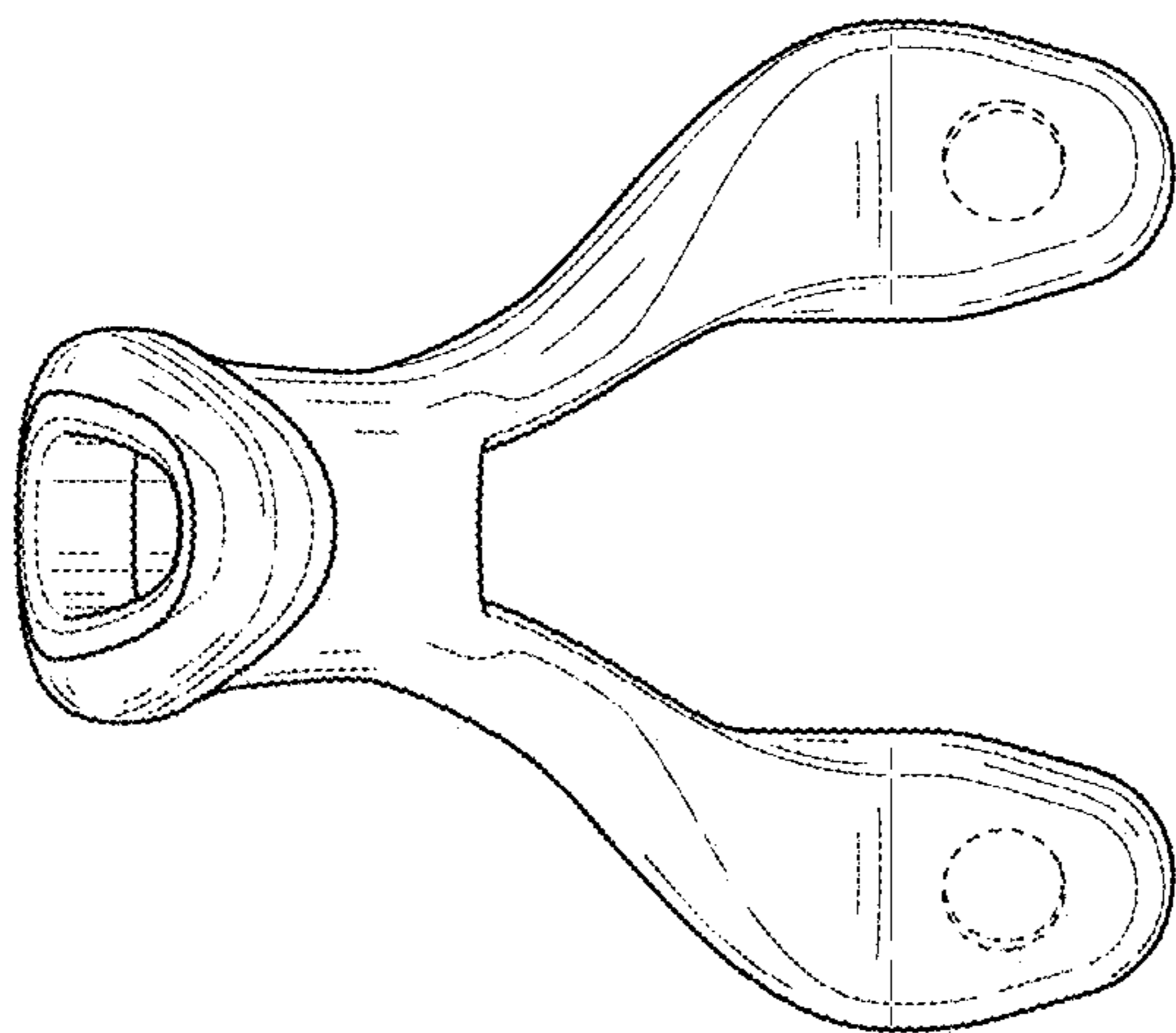


FIG. 5

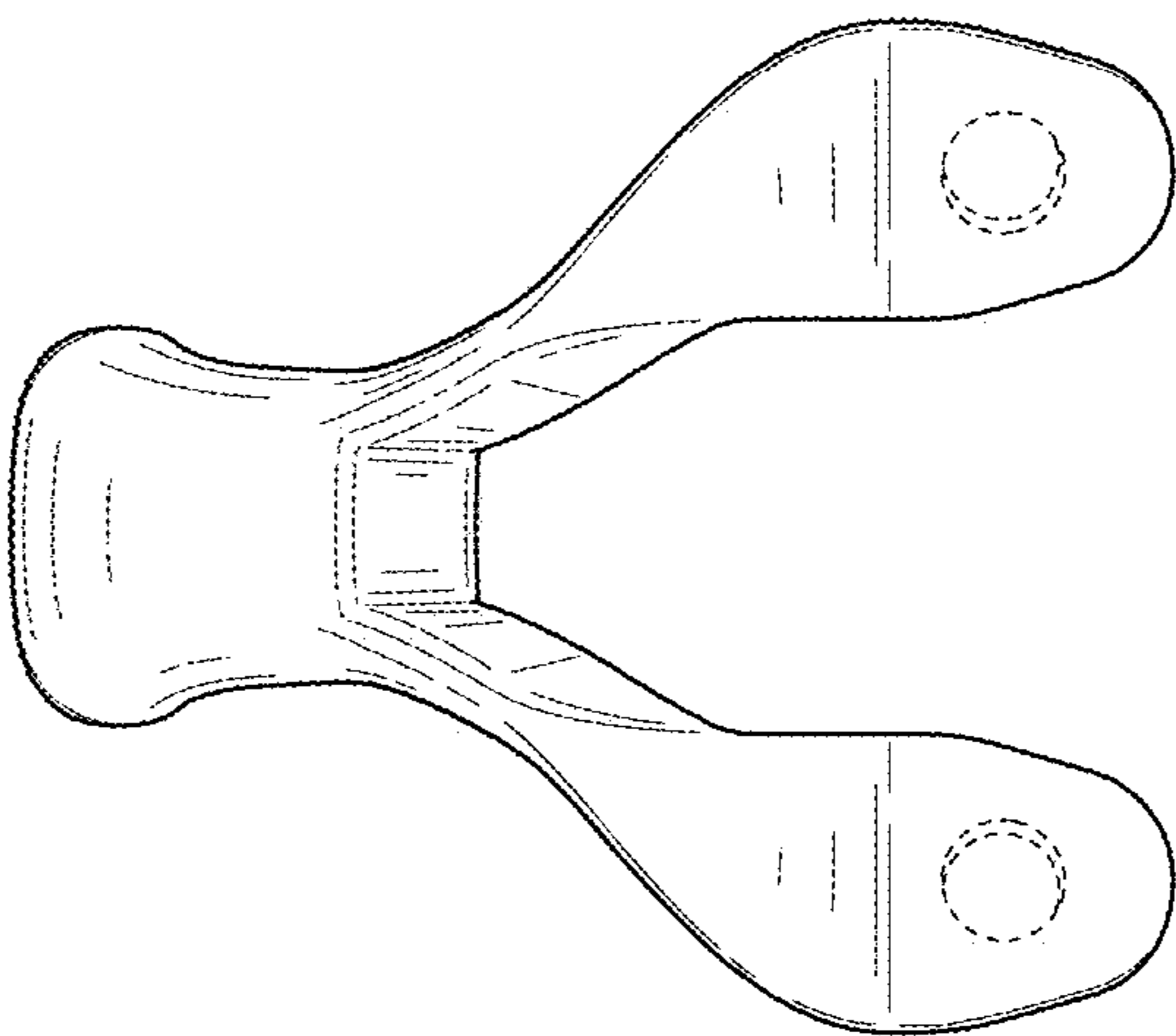


FIG. 6

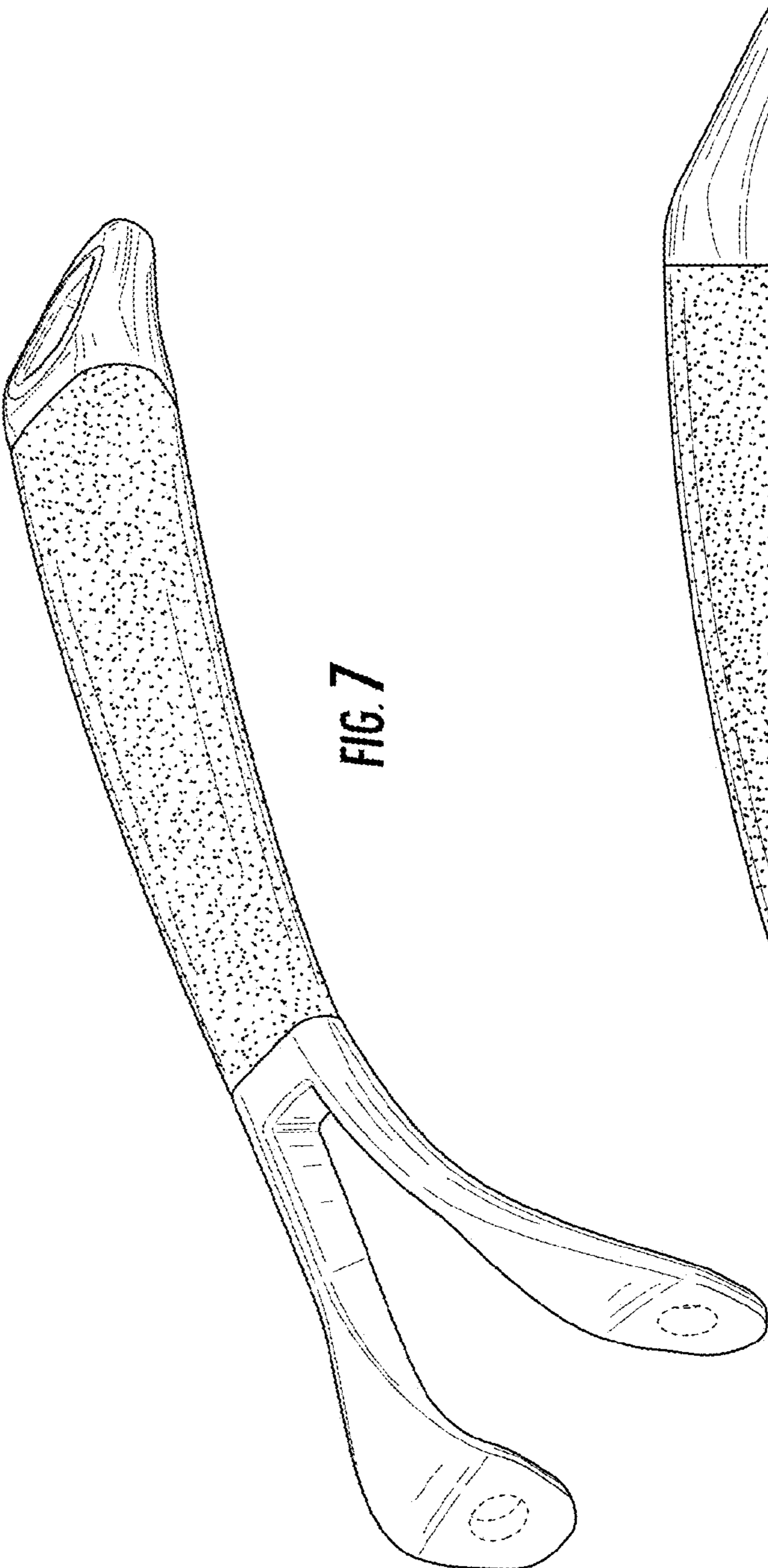


FIG. 7

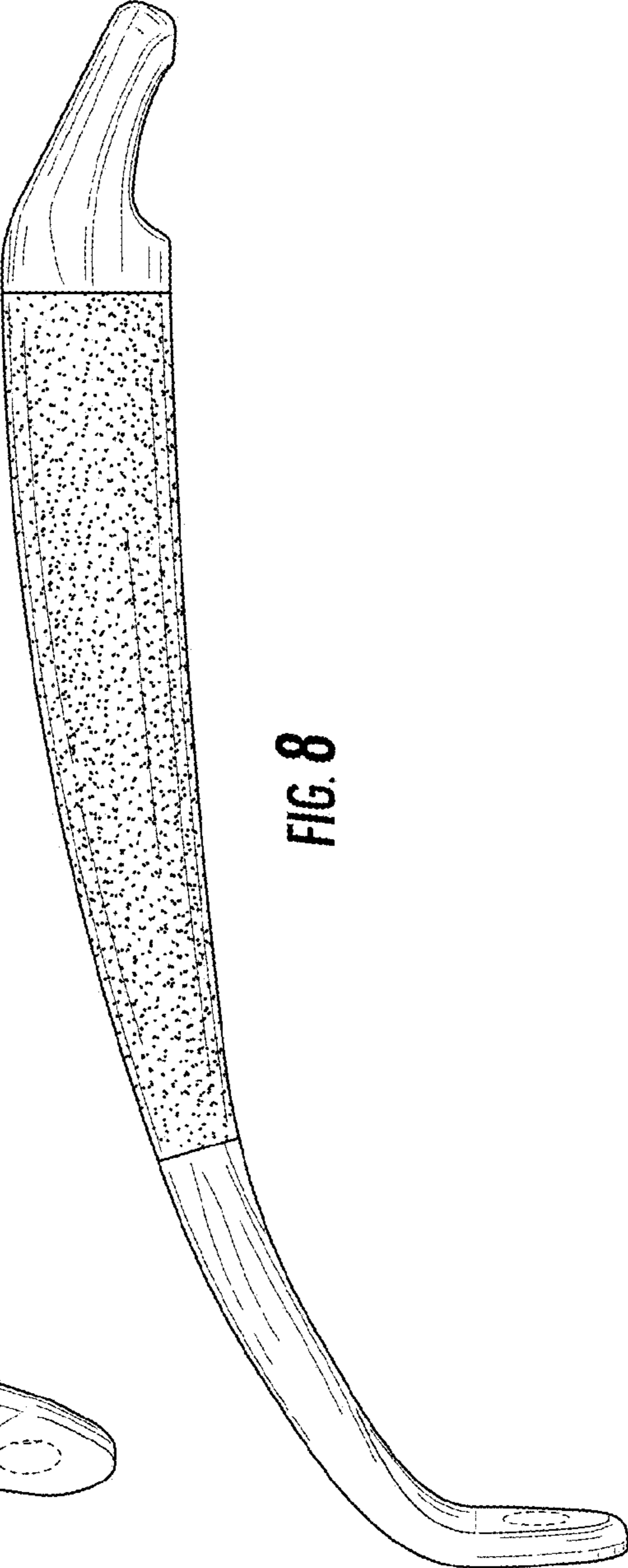


FIG. 8

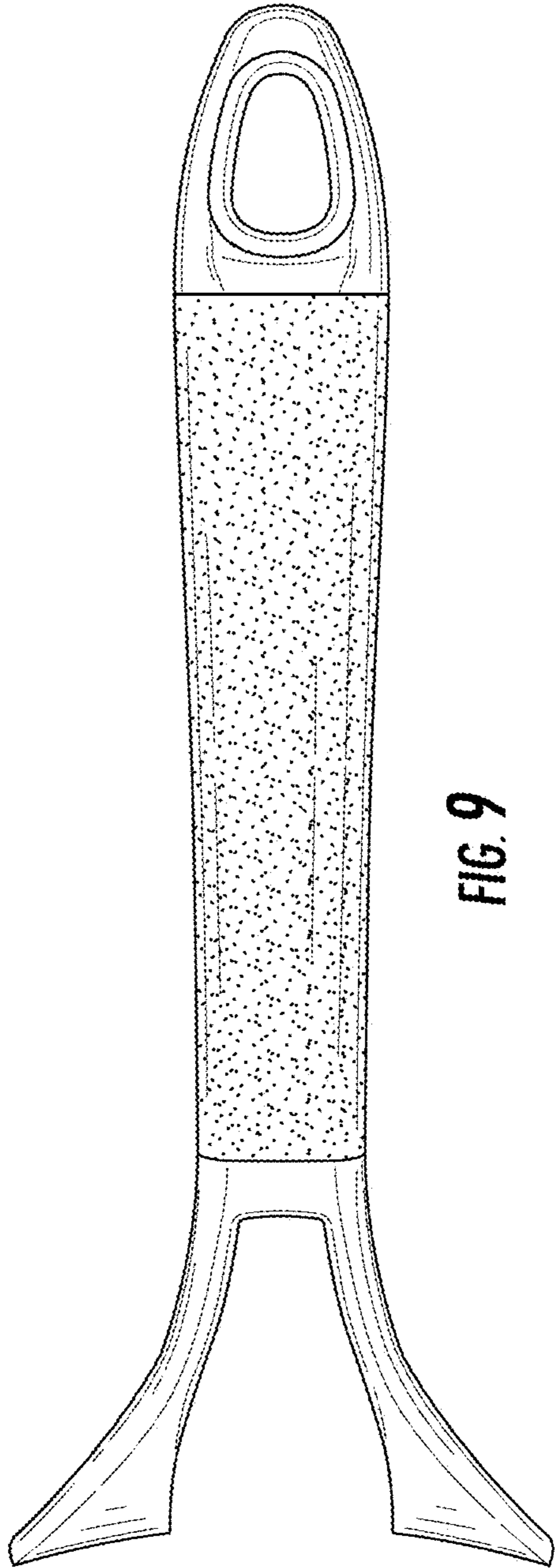


FIG. 9

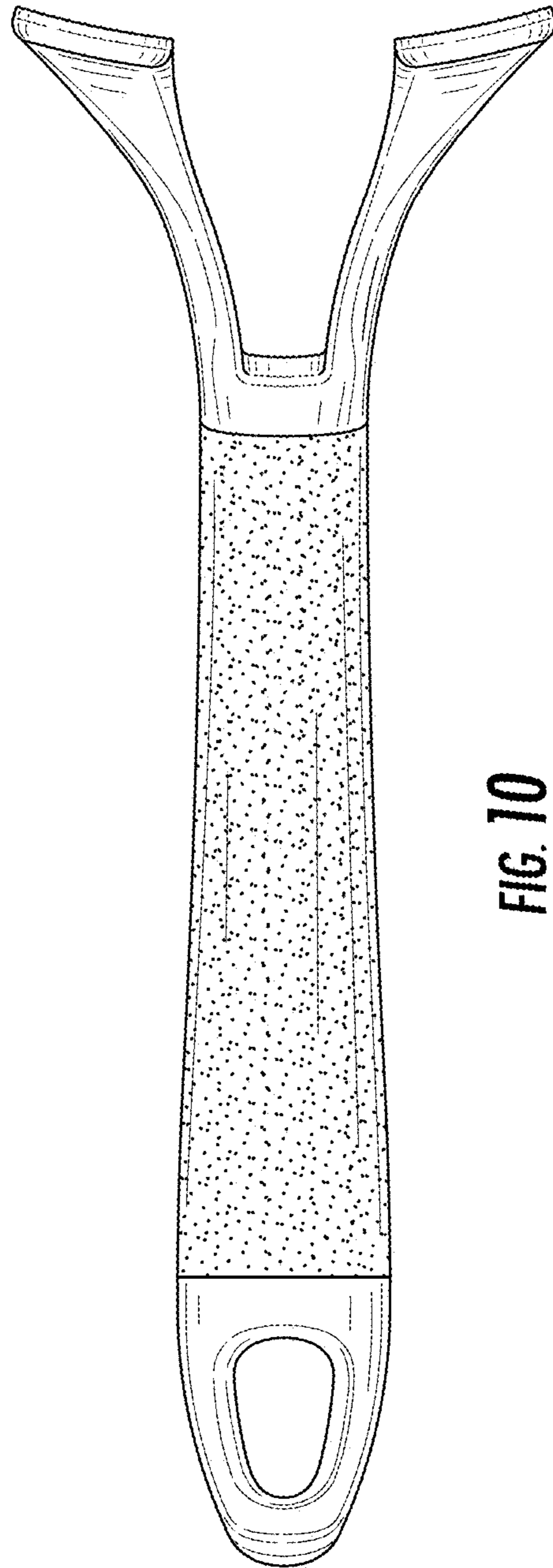


FIG. 10

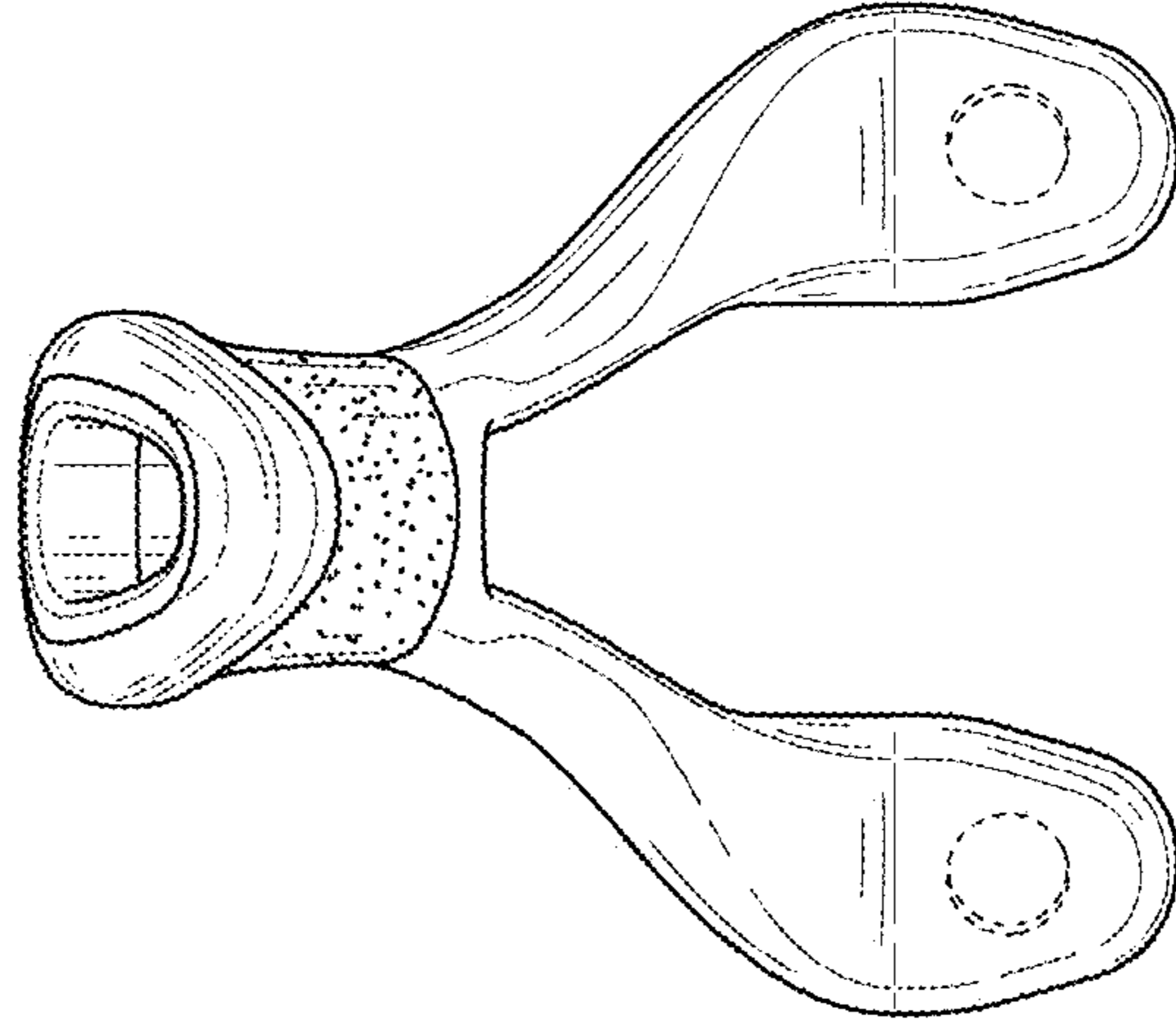


FIG. 12

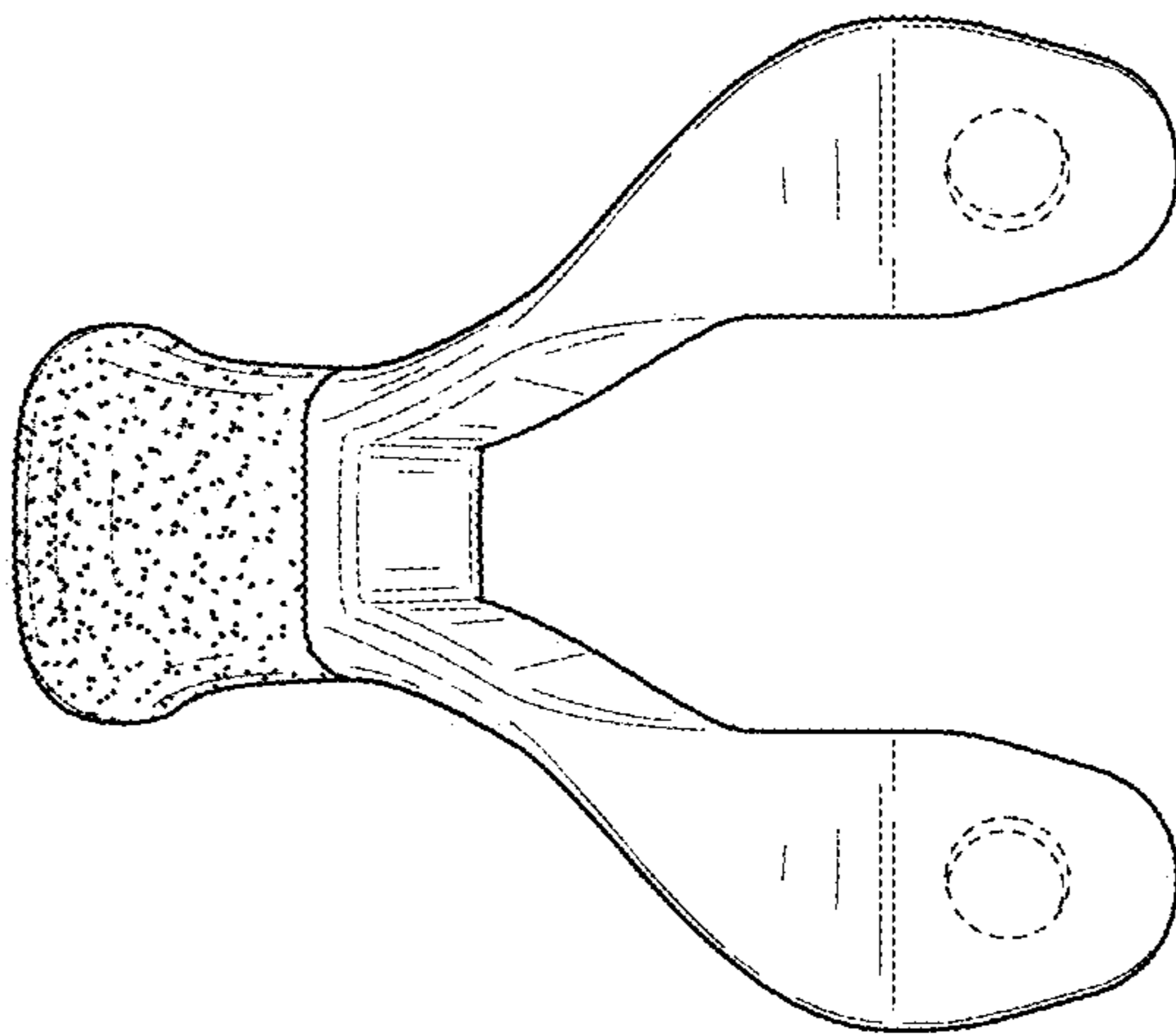


FIG. 11