



US00D705000S

(12) **United States Design Patent**  
**Rae**

(10) **Patent No.:** **US D705,000 S**

(45) **Date of Patent:** **\*\* May 20, 2014**

- (54) **ELONGATED SIDE HANDLE FOR COOKWARE**
- (71) Applicant: **Meyer Intellectual Properties Ltd.,**  
Kowloon (CN)
- (72) Inventor: **Robert A. Rae, Las Vegas, NV (US)**
- (73) Assignee: **Meyer Intellectual Properties Limited**  
(VG)
- (\*\*) Term: **14 Years**
- (21) Appl. No.: **29/460,226**
- (22) Filed: **Jul. 9, 2013**
- (51) **LOC (10) Cl.** ..... **07-02**
- (52) **U.S. Cl.**  
USPC ..... **D7/395**
- (58) **Field of Classification Search**  
USPC ..... D7/354-361, 393-395, 401.2, 664;  
D8/107, 300, 303, 307, 321; D4/138,  
D4/129; 16/421, 430, 431, 110.1, 407;  
220/573.1-573.5, 752, 753, 755, 756,  
220/759, 767, 771, 912  
See application file for complete search history.

(56) **References Cited**

**U.S. PATENT DOCUMENTS**

- D429,950 S \* 8/2000 Yu et al. .... D7/395
- D555,425 S \* 11/2007 Rae ..... D7/395

- D575,982 S \* 9/2008 Rae ..... D7/393
- D593,794 S \* 6/2009 Rae ..... D7/395
- D596,897 S \* 7/2009 Tetreault et al. .... D7/395
- D618,052 S \* 6/2010 Rae ..... D7/395
- D630,055 S \* 1/2011 Rae ..... D7/395
- D658,004 S \* 4/2012 Rae ..... D7/395
- D664,390 S \* 7/2012 Shen ..... D7/395
- D667,689 S \* 9/2012 Rae ..... D7/395

\* cited by examiner

*Primary Examiner* — Cynthia M Chin

(74) *Attorney, Agent, or Firm* — Edward S. Sherman

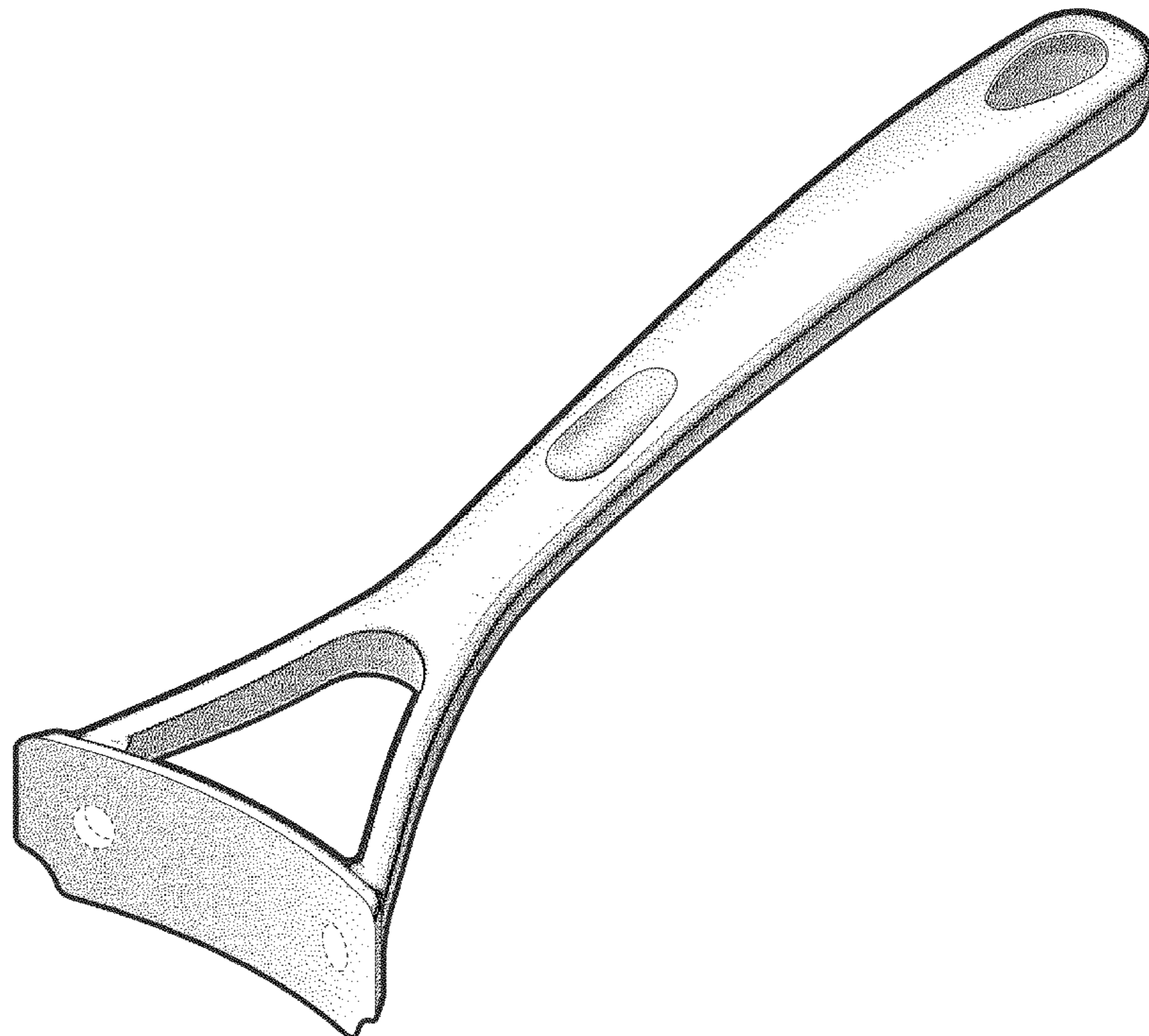
(57) **CLAIM**

The ornamental design for an elongated side handle for cookware, as shown and described.

**DESCRIPTION**

FIG. 1 is a perspective view of the elongated side handle for cookware showing my new design;  
 FIG. 2 is a right side elevation view thereof; the left side elevation view being the mirror image thereof,  
 FIG. 3 is a top plan view thereof;  
 FIG. 4 is a bottom plan view thereof;  
 FIG. 5 is a front elevation view thereof; and,  
 FIG. 6 is a rear elevation view thereof.  
 The broken lines in FIGS. 1, 2, 5 and 6 are for illustrative purposes only, depicting the environment of the new design, forming no part thereof as claimed.  
 The shading represents the three dimensional contours of the handle and is not intended to represent color.

**1 Claim, 3 Drawing Sheets**



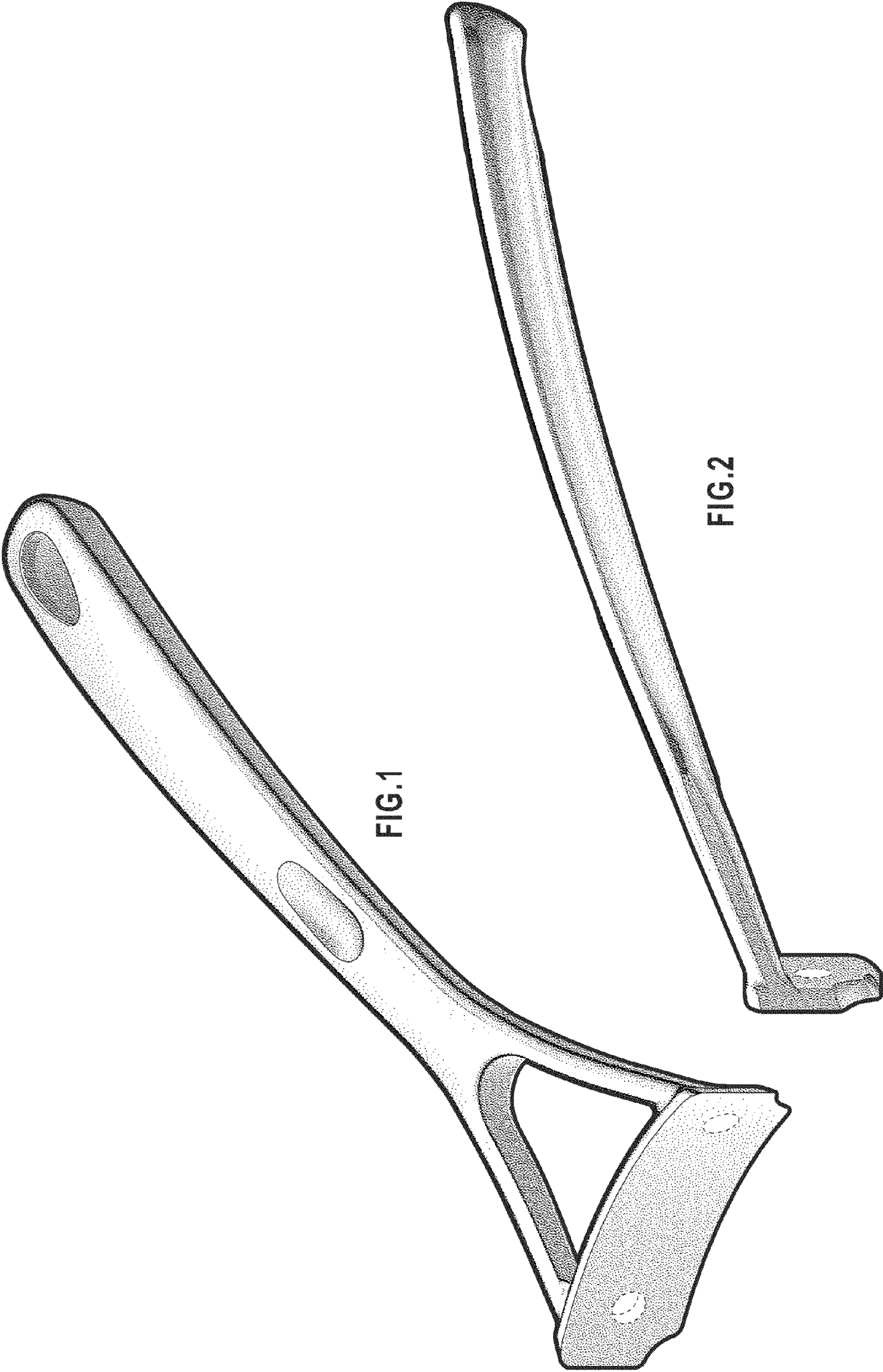


FIG.1

FIG.2

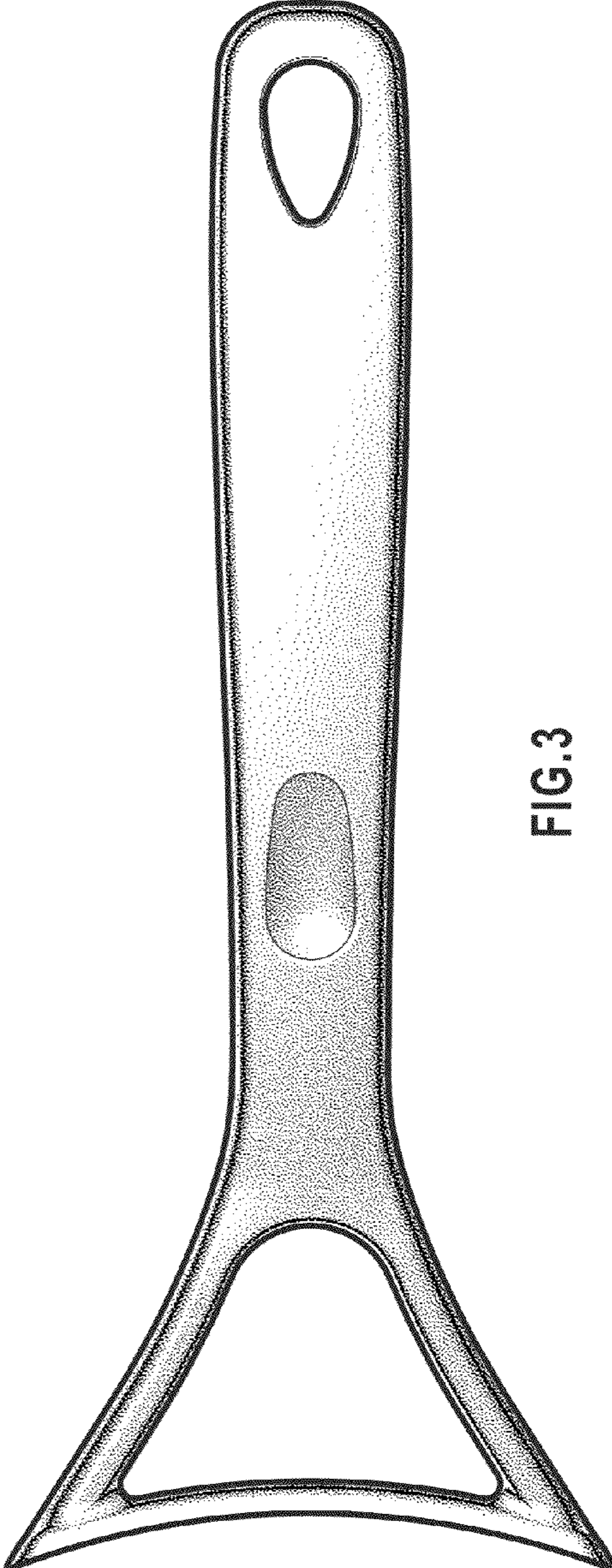


FIG.3

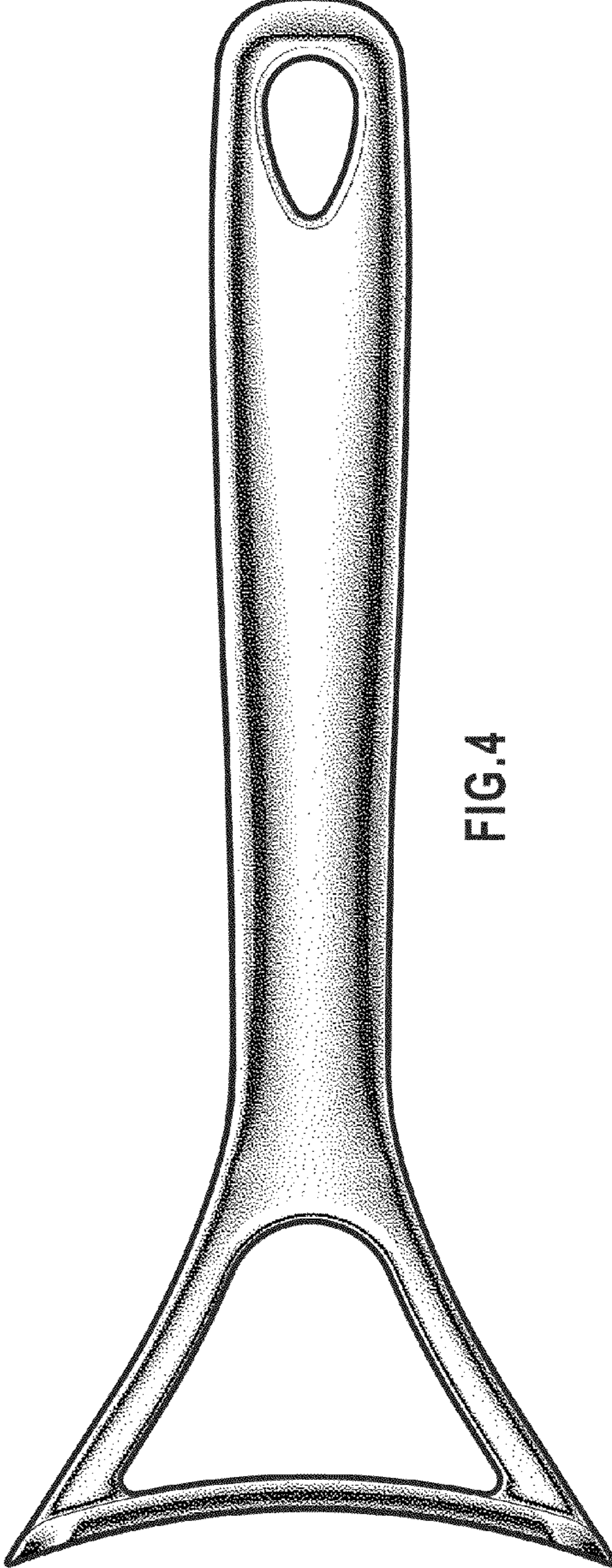


FIG.4

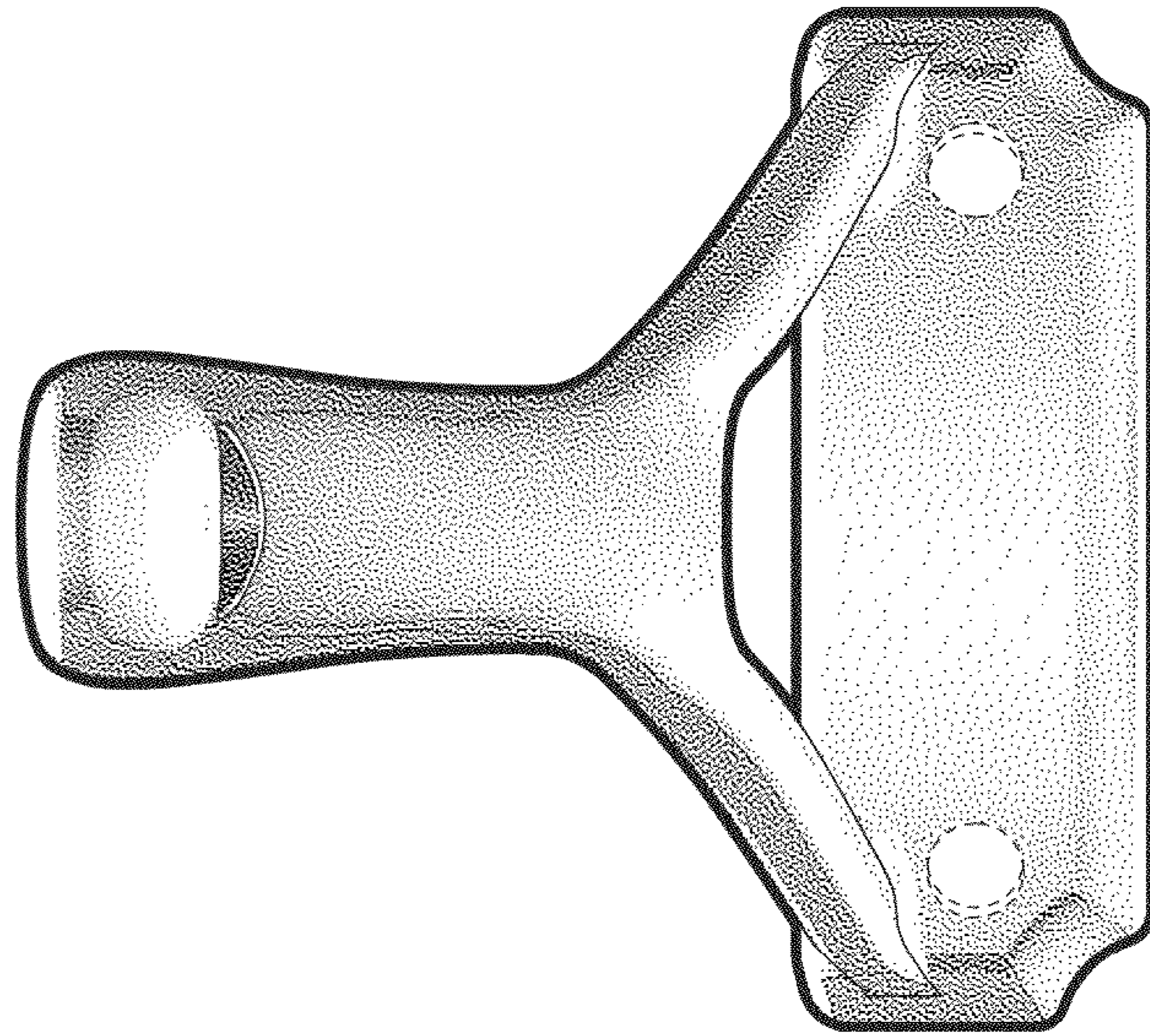


FIG. 5

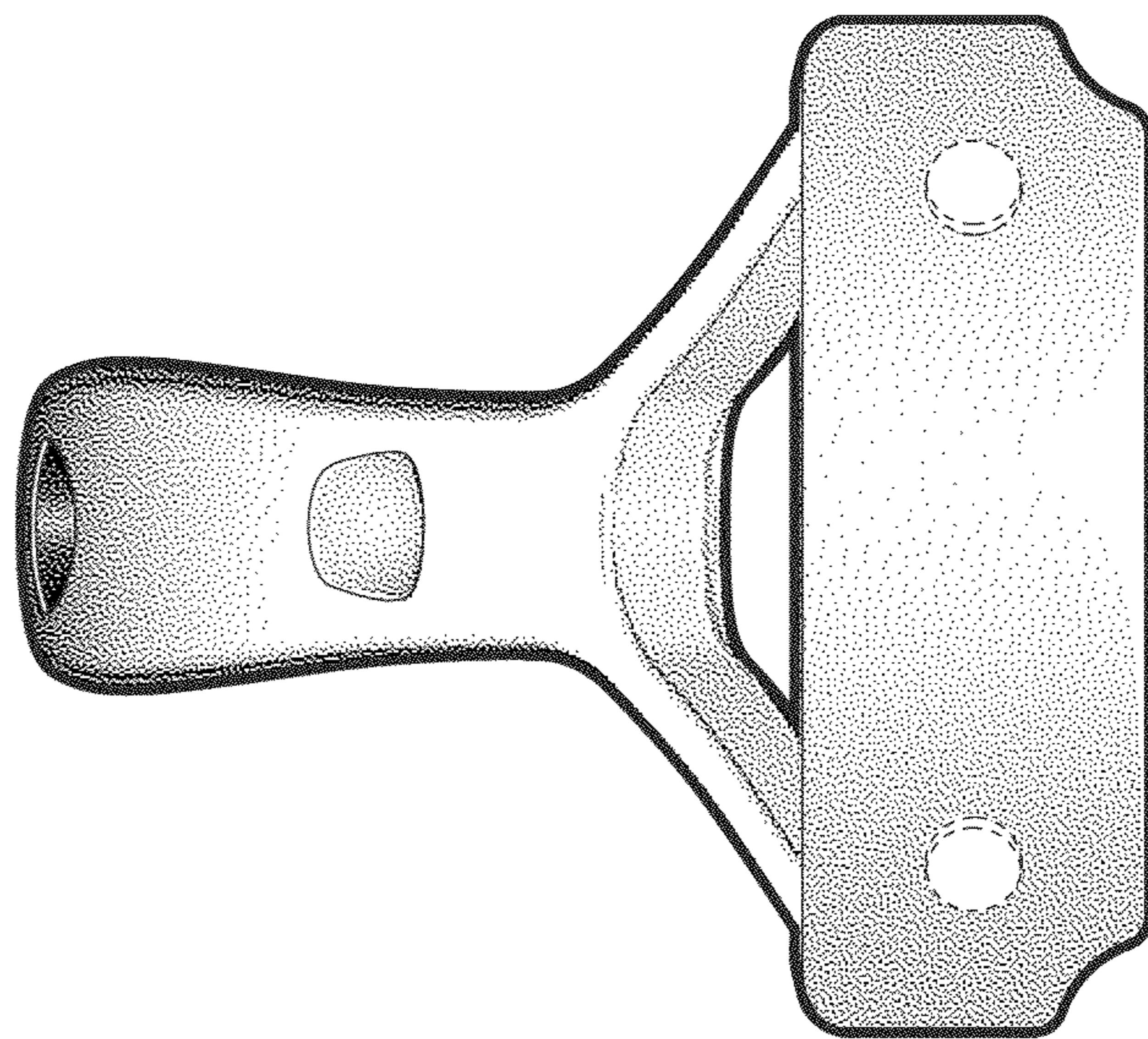


FIG. 6