



US00D704998S

(12) **United States Design Patent**
Rae

(10) **Patent No.:** **US D704,998 S**

(45) **Date of Patent:** **** May 20, 2014**

(54) **ELONGATED SIDE HANDLE FOR COOKWARE**

(71) Applicant: **Meyer Intellectual Properties Ltd.,**
Kowloon (HK)

(72) Inventor: **Robert A. Rae, Las Vegas, NV (US)**

(73) Assignee: **Meyer Intellectual Properties Limited**
(VG)

(**) Term: **14 Years**

(21) Appl. No.: **29/458,577**

(22) Filed: **Jun. 20, 2013**

(51) **LOC (10) Cl.** **07-02**

(52) **U.S. Cl.**
USPC **D7/395**

(58) **Field of Classification Search**
USPC D7/354-361, 393-395, 401.2, 664;
D8/107, 300, 303, 307, 321; D4/138,
D4/129; 16/421, 430, 431, 110.1, 407;
220/573.1-573.5, 752, 753, 755, 756,
220/759, 767, 771, 912
See application file for complete search history.

(56) **References Cited**

U.S. PATENT DOCUMENTS

D429,950 S * 8/2000 Yu et al. D7/395
D555,425 S * 11/2007 Rae D7/395

D575,982 S * 9/2008 Rae D7/393
D593,794 S * 6/2009 Rae D7/395
D618,052 S * 6/2010 Rae D7/395
D630,055 S * 1/2011 Rae D7/395
D658,004 S * 4/2012 Rae D7/395
D667,689 S * 9/2012 Rae D7/395

* cited by examiner

Primary Examiner — Cynthia M Chin

(74) *Attorney, Agent, or Firm* — Edward S. Sherman

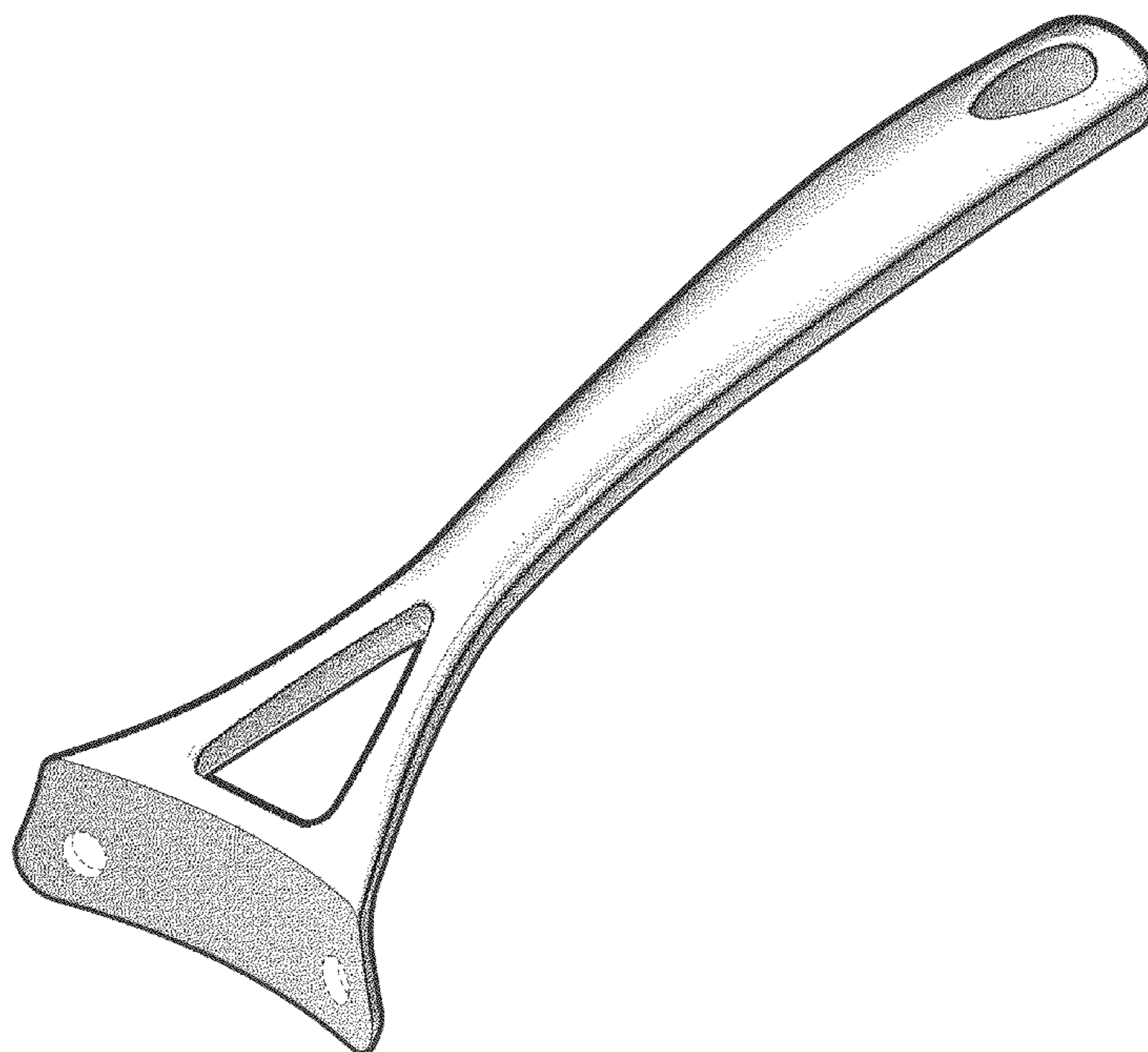
(57) **CLAIM**

The ornamental design for an elongated side handle for cookware, as shown and described.

DESCRIPTION

FIG. 1 is a perspective view of the elongated side handle for cookware showing my new design;
FIG. 2 is a right side elevation view thereof; the left side elevation view being the mirror image thereof,
FIG. 3 is a top plan view thereof;
FIG. 4 is a bottom plan view thereof;
FIG. 5 is a front elevation view thereof; and,
FIG. 6 is a rear elevation view thereof.
The broken lines in FIGS. 1, 2, 5 and 6 are for illustrative purposes only, depicting the environment of the new design, forming no part thereof as claimed.
The shading represents the three dimensional contours of the handle and is not intended to represent color.

1 Claim, 3 Drawing Sheets



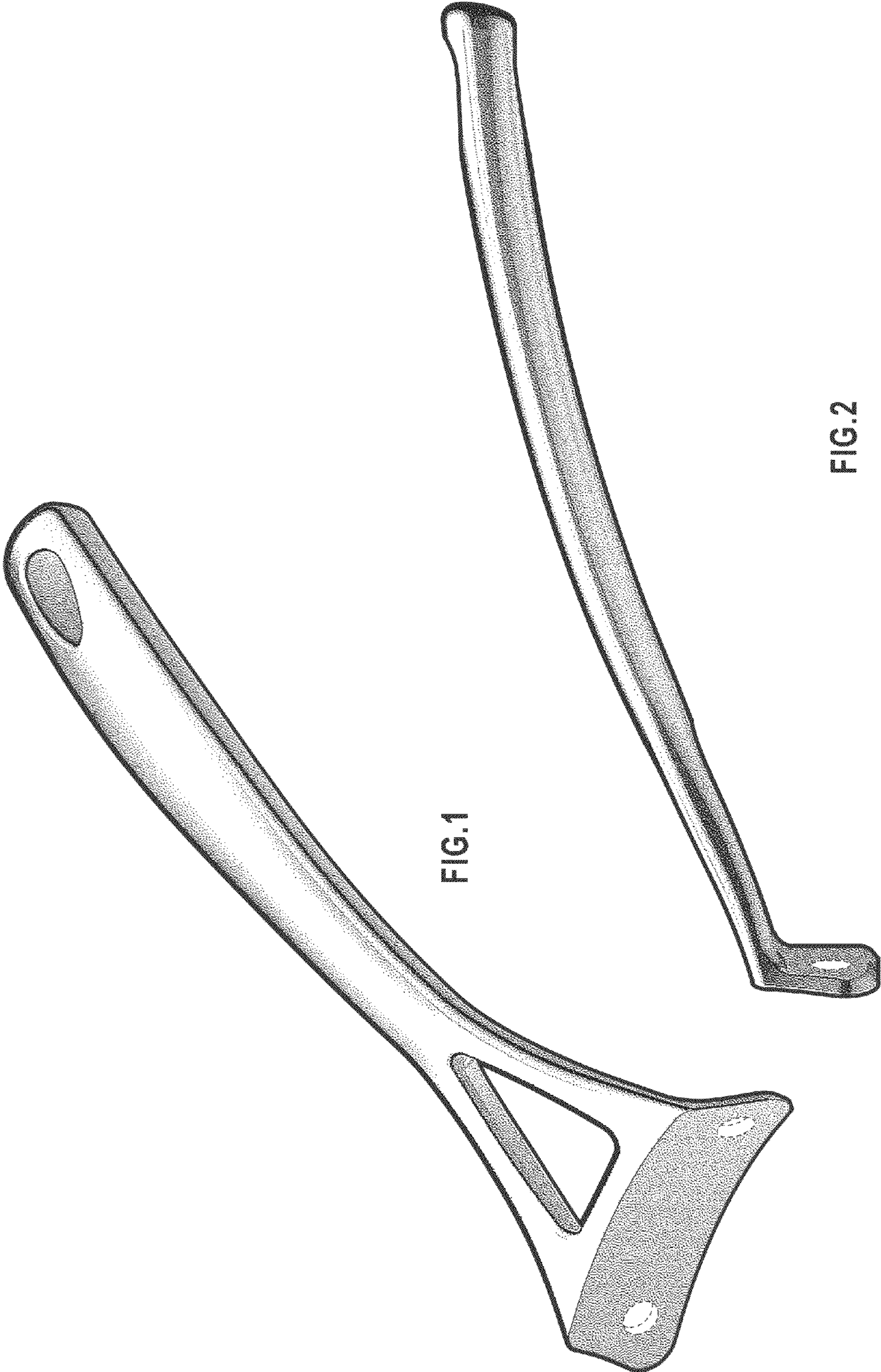


FIG.1

FIG.2

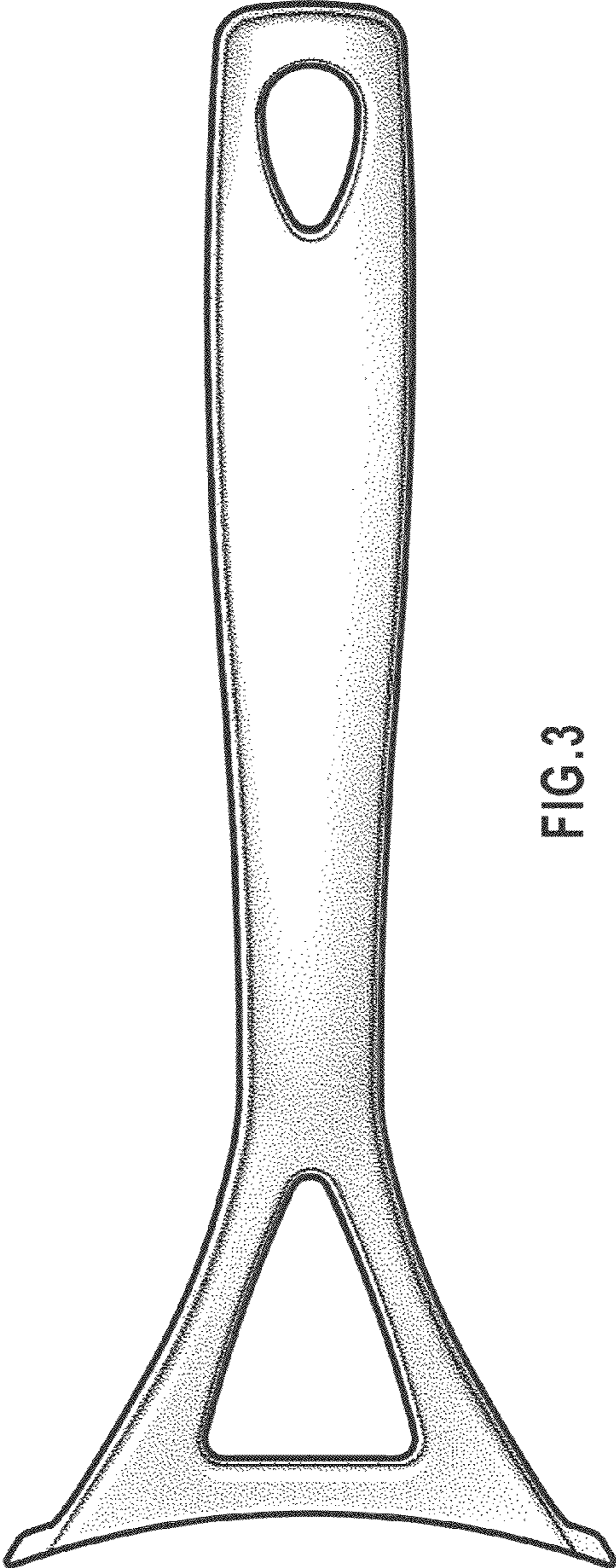


FIG.3

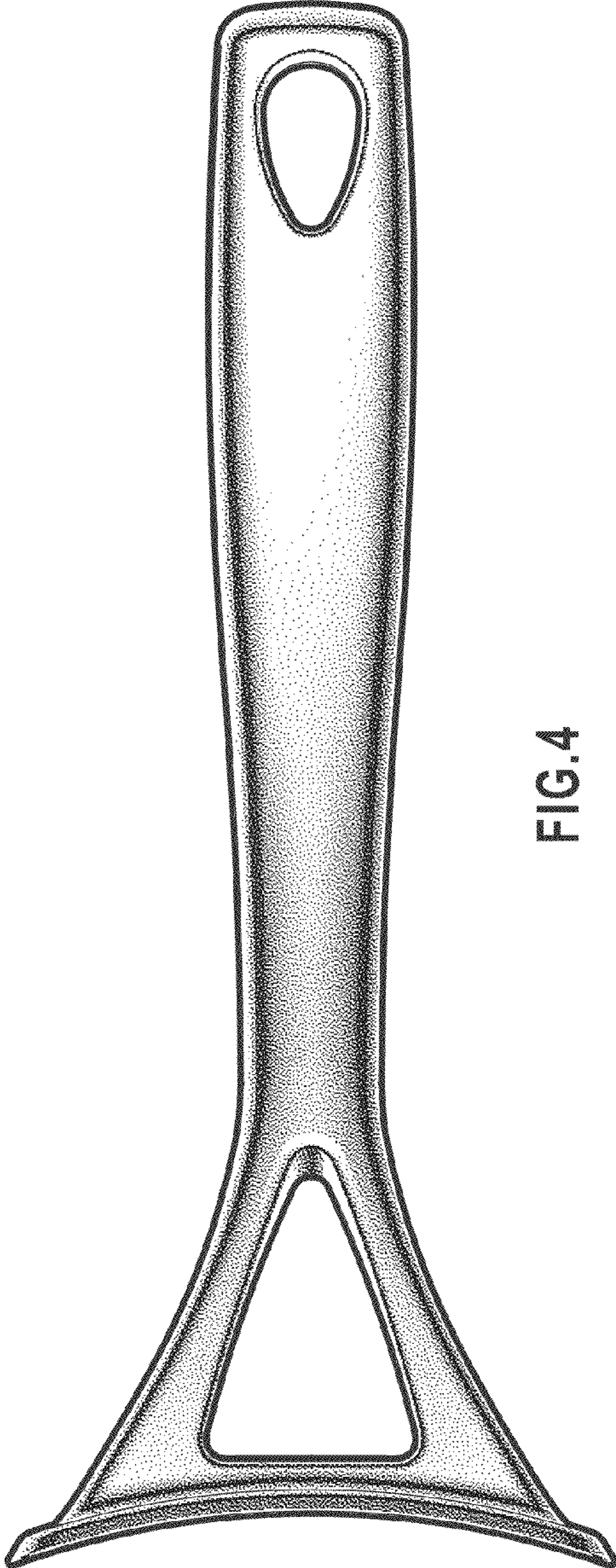


FIG.4

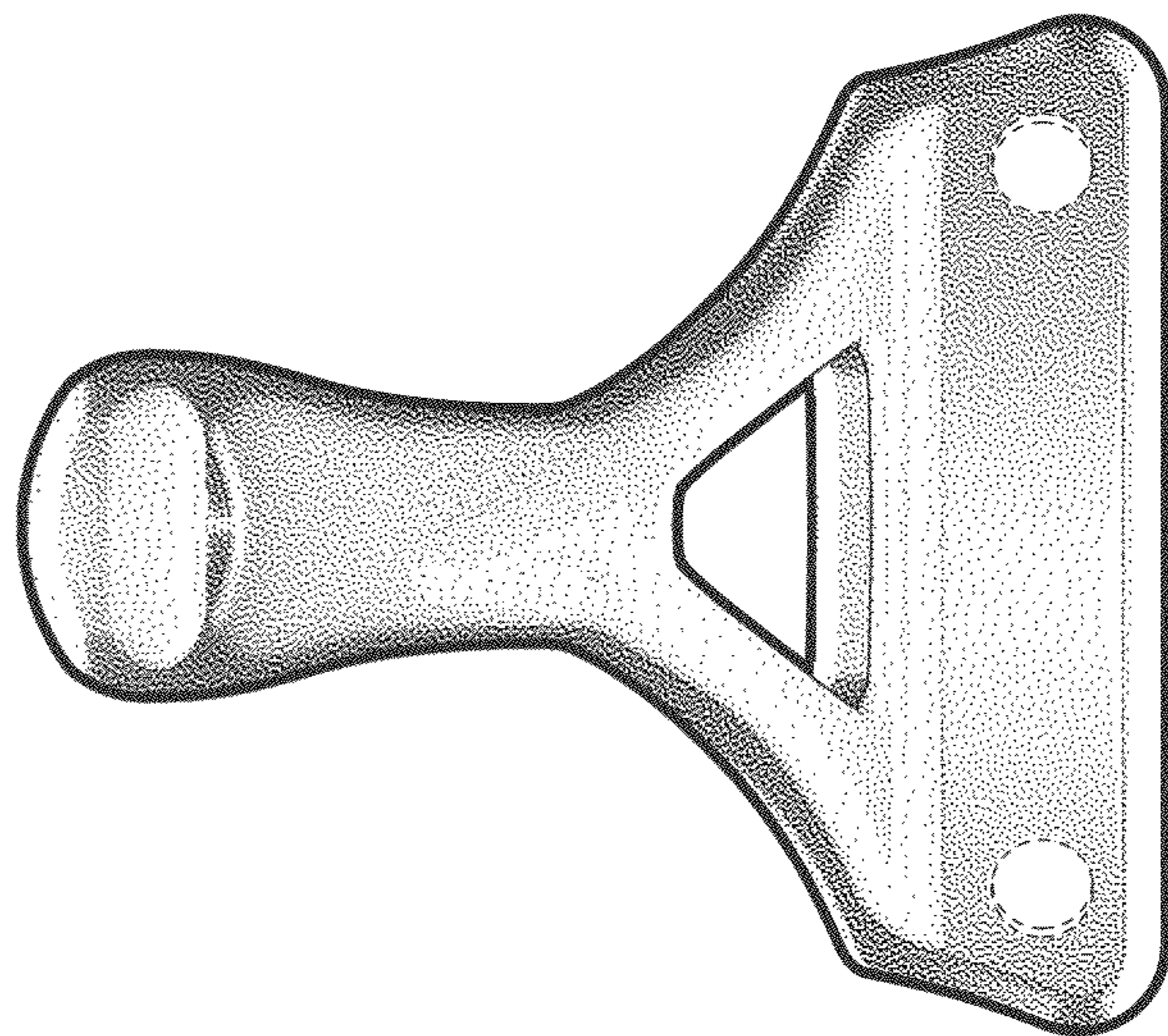


FIG. 5

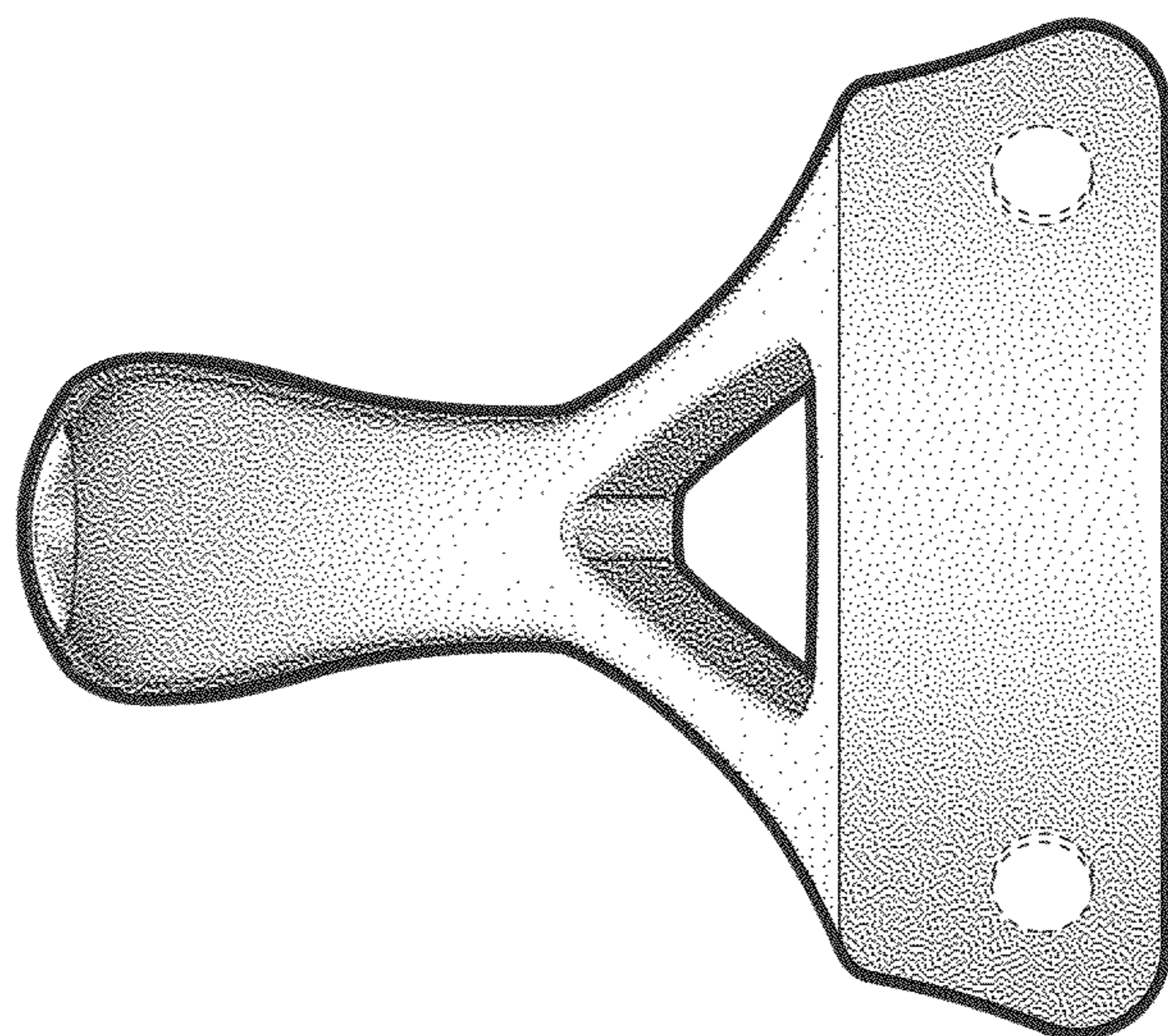


FIG. 6