



US00D704997S

(12) **United States Design Patent**
McGuyer

(10) **Patent No.:** **US D704,997 S**

(45) **Date of Patent:** **** May 20, 2014**

(54) **UTENSIL HANDLE**

(71) Applicant: **Tailor Made Products, Inc.,**
Oconomowoc, WI (US)

(72) Inventor: **Carter McGuyer**, Tuscumbia, AL (US)

(73) Assignee: **Tailor Made Products, Inc.,**
Oconomowoc, WI (US)

(**) Term: **14 Years**

(21) Appl. No.: **29/457,561**

(22) Filed: **Jun. 11, 2013**

(51) **LOC (10) Cl.** **07-02**

(52) **U.S. Cl.**
USPC **D7/395**

(58) **Field of Classification Search**
USPC D7/393, 395, 401.2, 682, 692, 642-648,
D7/649-652, 664, 688, 693, 696, 381;
D8/83, 101, 107, 307; 30/340-344,
30/147-149; 16/430, 431, 110.1; D4/129,
D4/138

See application file for complete search history.

(56) **References Cited**

U.S. PATENT DOCUMENTS

D124,852 S * 1/1941 Beck D7/395
D427,849 S * 7/2000 Gasparino et al. D7/401.2

D450,981 S * 11/2001 Kaposi D7/395
D451,343 S * 12/2001 Wentland et al. D7/395
D452,114 S * 12/2001 Lin D7/395
D459,150 S * 6/2002 Lin D7/395
D518,689 S * 4/2006 McGuyer D7/695
D579,268 S * 10/2008 Ishai D7/395
D590,657 S * 4/2009 Curtin D7/395

* cited by examiner

Primary Examiner — Cynthia M Chin

(74) *Attorney, Agent, or Firm* — Brian G. Gilpin; Godfrey & Kahn, S.C.

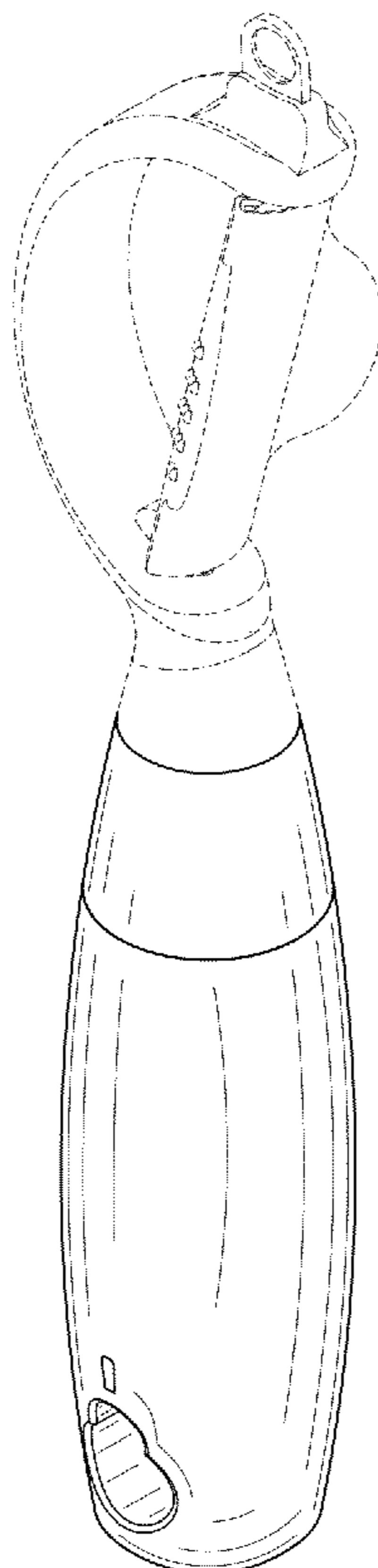
(57) **CLAIM**

The ornamental design for a utensil handle, as shown and described.

DESCRIPTION

FIG. 1 is a top front perspective view of the utensil handle design;
FIG. 2 is a bottom rear perspective view of the utensil handle of FIG. 1;
FIG. 3 is a front angled view of the utensil handle of FIG. 1;
FIG. 4 is a left side view of the utensil handle of FIG. 1;
FIG. 5 is a right side view of the utensil handle of FIG. 1;
FIG. 6 is a front side view of the utensil handle of FIG. 1;
FIG. 7 is a top view of the utensil handle of FIG. 1; and,
FIG. 8 is a bottom view of the utensil handle of FIG. 1.
The dashed lines are included to illustrate one type of utensil that may be affixed to or formed with the utensil handle and form no part of the claimed design.

1 Claim, 4 Drawing Sheets



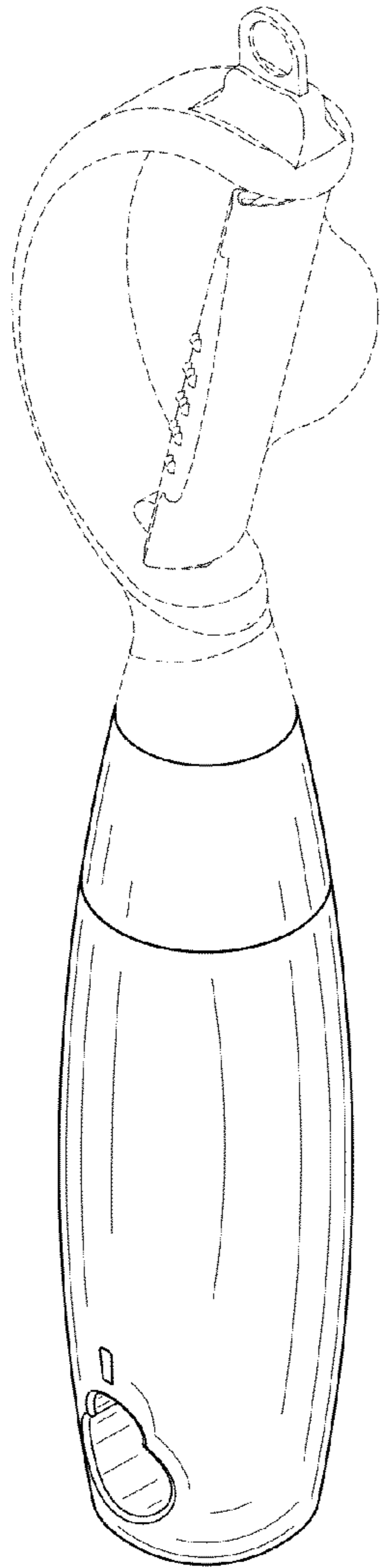


FIG. 1

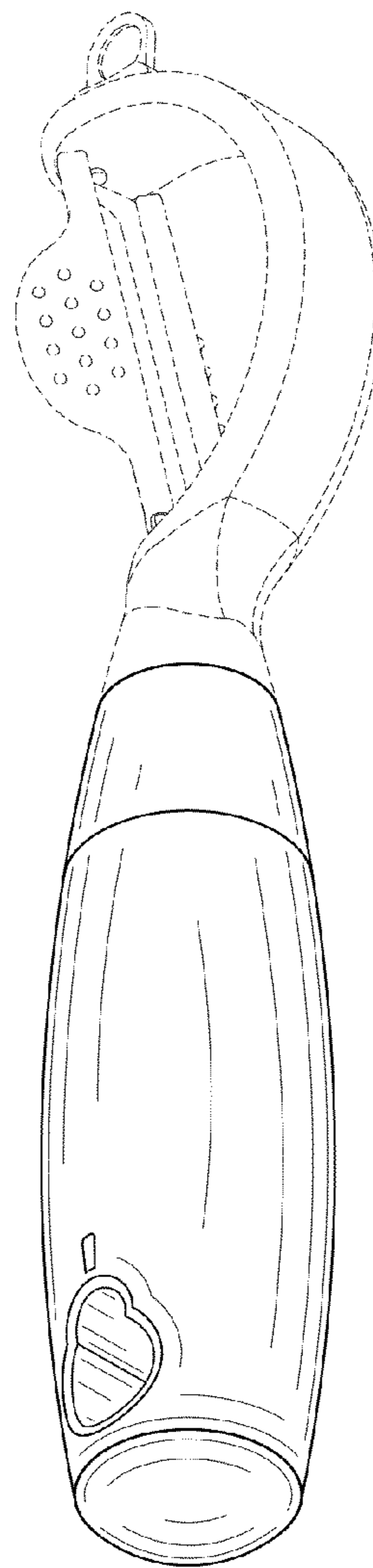


FIG. 2

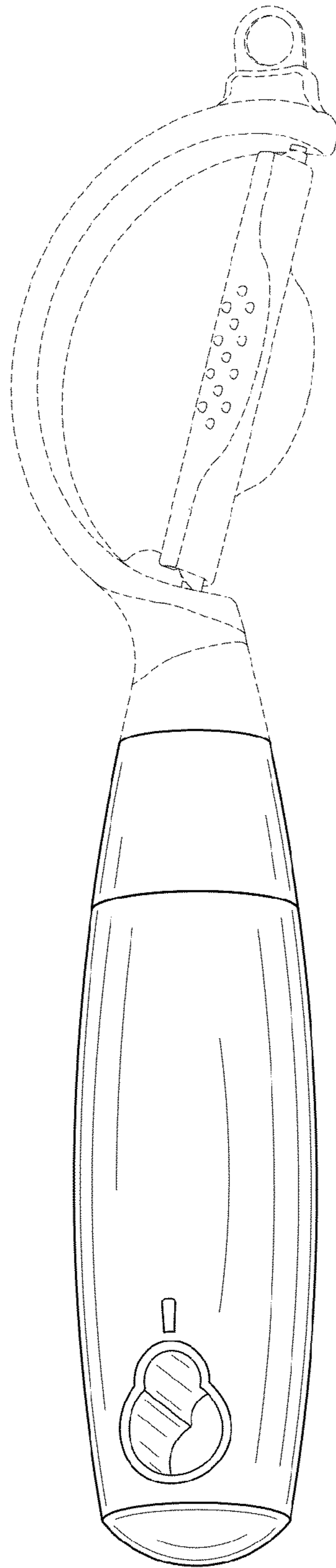


FIG. 3

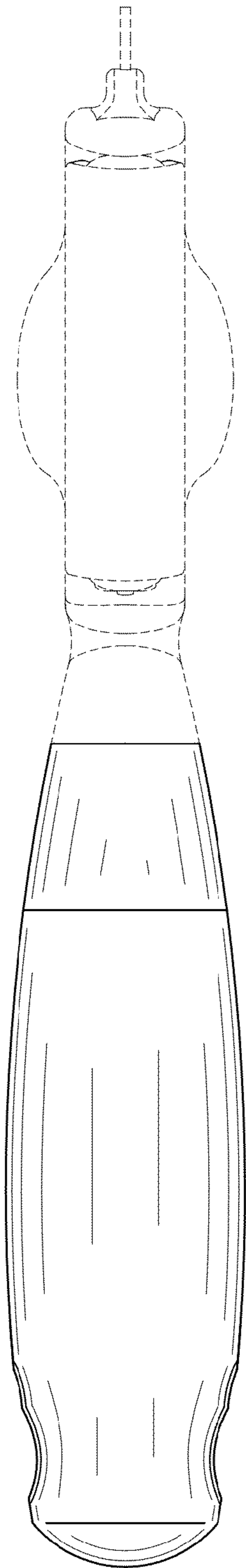


FIG. 4

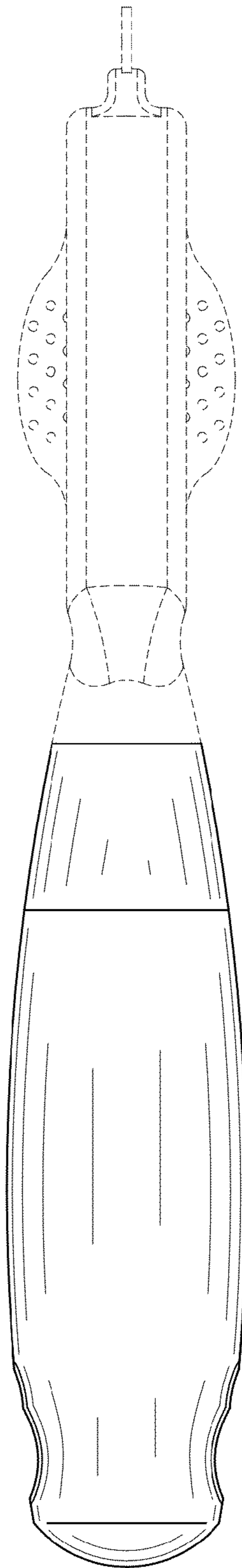


FIG. 5

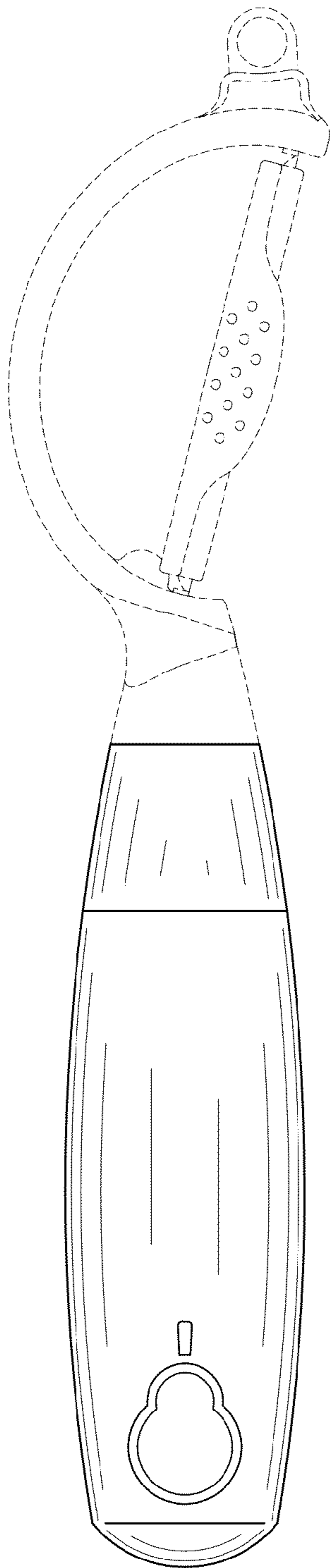


FIG. 6

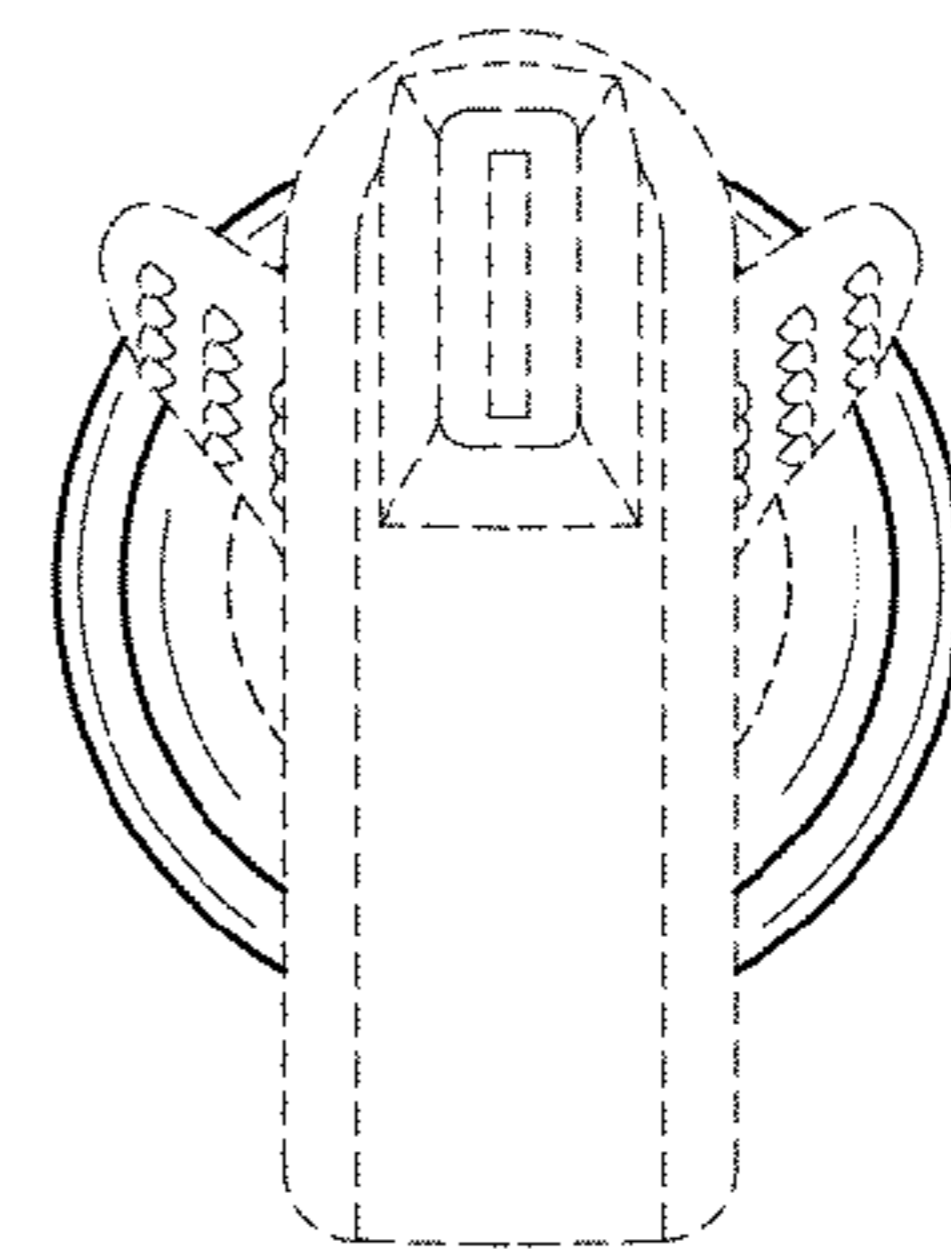


FIG. 7

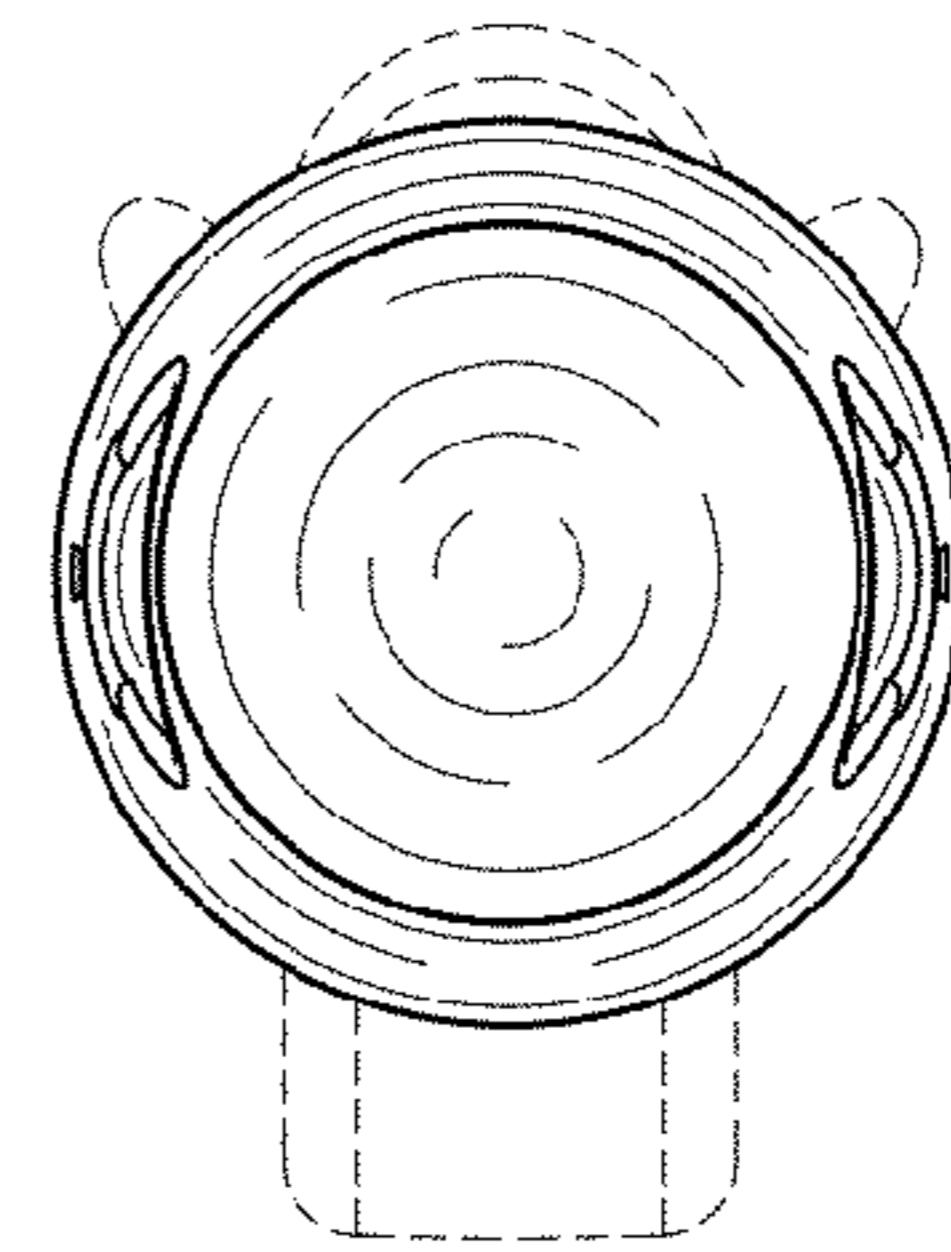


FIG. 8