



US00D704996S

(12) **United States Design Patent**
Wright

(10) **Patent No.:** **US D704,996 S**

(45) **Date of Patent:** **** May 20, 2014**

(54) **COOKWARE ELONGATED SIDE HANDLE**

(71) Applicant: **Meyer Intellectual Properties Limited,**
Kowloon (HK)

(72) Inventor: **Paul Howard Wright,** Liverpool (GB)

(73) Assignee: **Meyer Intellectual Properties Limited**
(VG)

(**) Term: **14 Years**

(21) Appl. No.: **29/453,676**

(22) Filed: **May 1, 2013**

(51) **LOC (10) Cl.** **07-02**

(52) **U.S. Cl.**
USPC **D7/395**

(58) **Field of Classification Search**

USPC D7/354-361, 393-395, 401.2, 664;
D8/80, 83, 107, 300, 303, 307, 313,
D8/321; D4/138, 129; 16/421, 430, 431,
16/110.1, 407; 220/573.1-573.5, 752,
220/753, 755, 756, 759, 767, 771, 912

See application file for complete search history.

(56) **References Cited**

U.S. PATENT DOCUMENTS

| | | | |
|---------------|---------|-----------------------|--------|
| D273,755 S * | 5/1984 | Thurlow | D7/359 |
| 4,494,274 A * | 1/1985 | Thurlow | 16/431 |
| D297,604 S * | 9/1988 | Hagberg et al. | D7/359 |
| D394,186 S * | 5/1998 | Dodane | D7/395 |
| D480,912 S * | 10/2003 | Logiudice et al. | D7/395 |
| D675,863 S * | 2/2013 | Zucchi | D7/354 |

* cited by examiner

Primary Examiner — Cynthia M Chin

(74) *Attorney, Agent, or Firm* — Edward S. Sherman

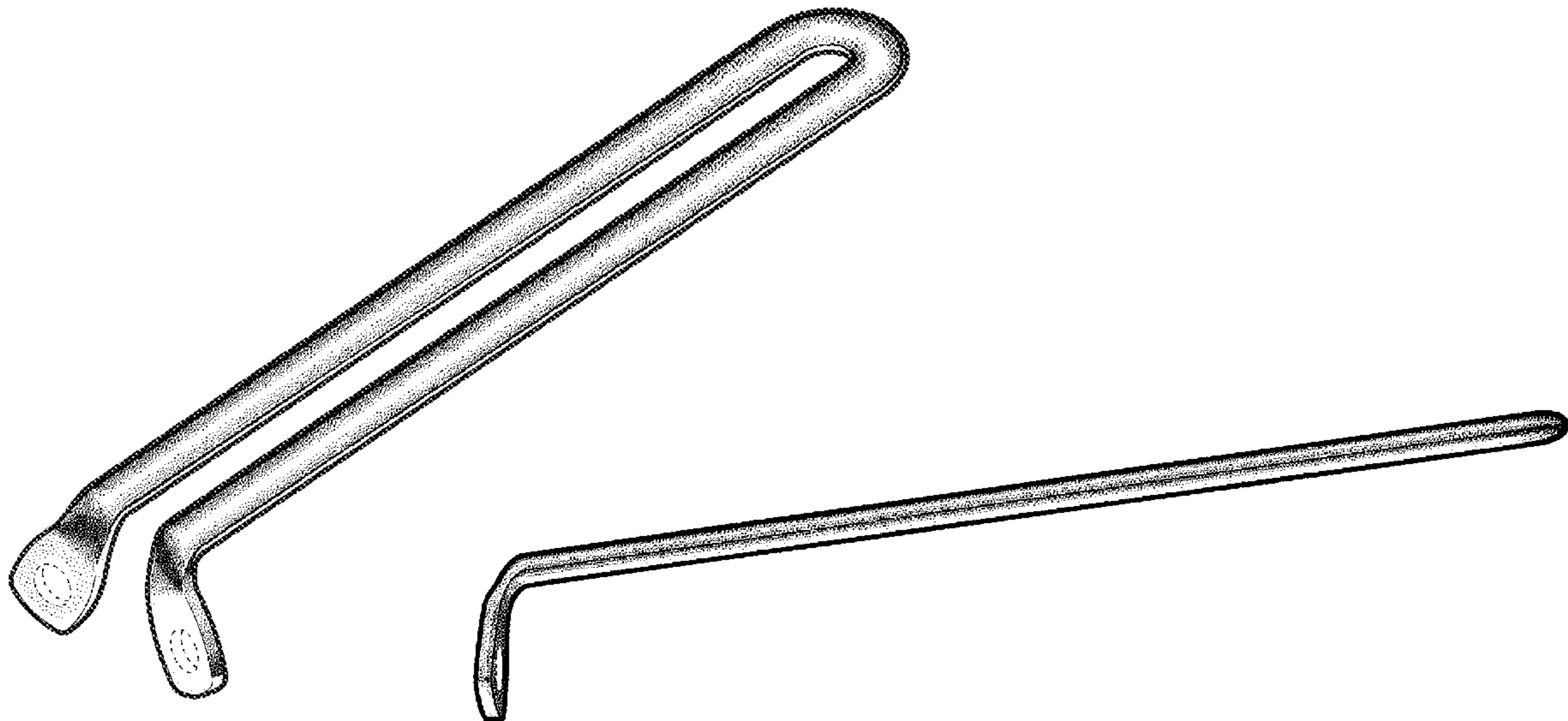
(57) **CLAIM**

The ornamental design for a cookware elongated side handle, as shown and described.

DESCRIPTION

FIG. 1 is a perspective view of the cookware elongated side handle, showing my new design;
FIG. 2 is a right side elevation view thereof; the left side elevation view being the mirror image thereof,
FIG. 3 is a top plan view thereof;
FIG. 4 is a bottom plan view thereof;
FIG. 5 is a front elevation view thereof; and,
FIG. 6 is a back elevation view thereof.
The broken lines in FIGS. 1-6 are for illustrative purposes only, depicting the environment of the new design, forming no part thereof as claimed.

1 Claim, 3 Drawing Sheets



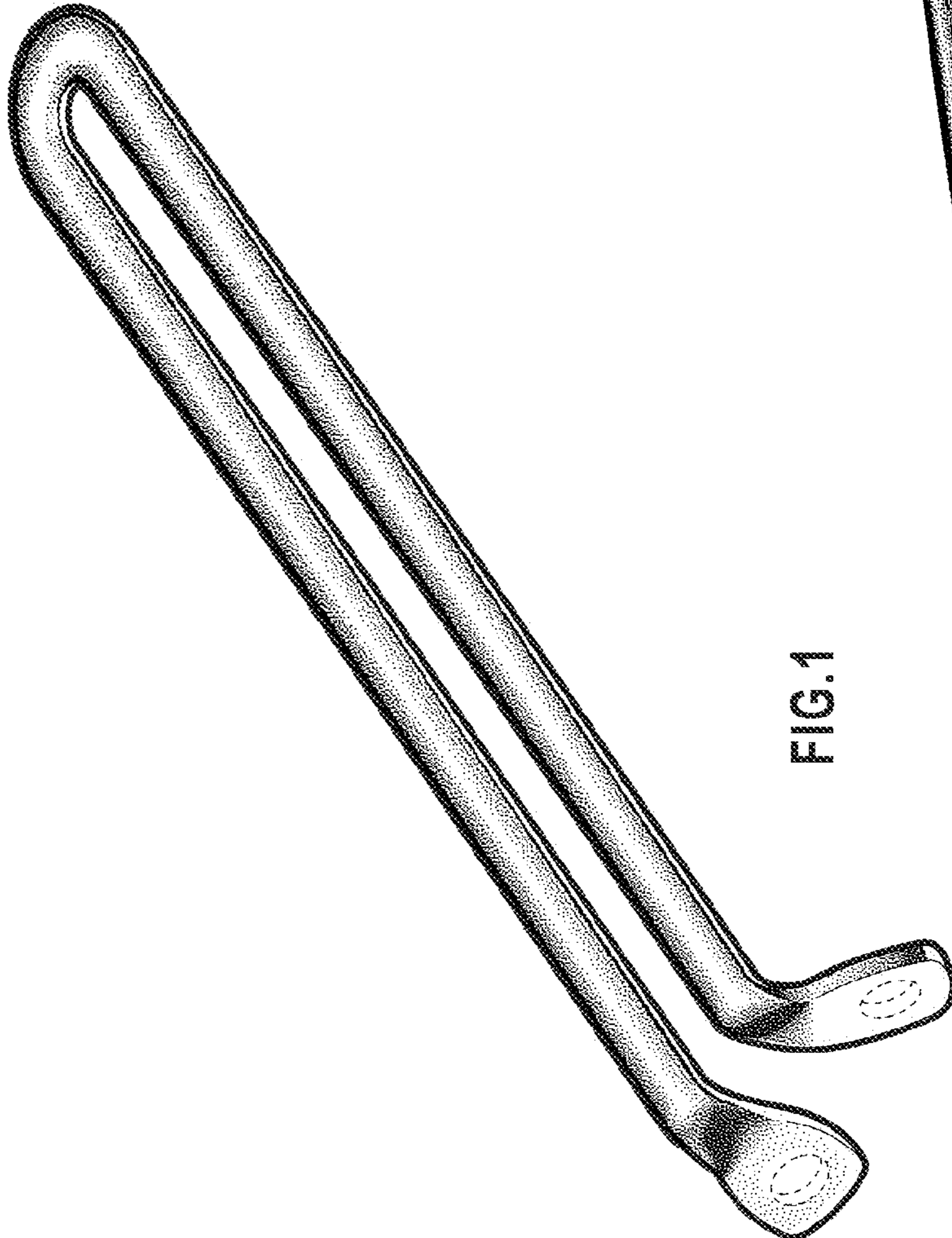


FIG. 1

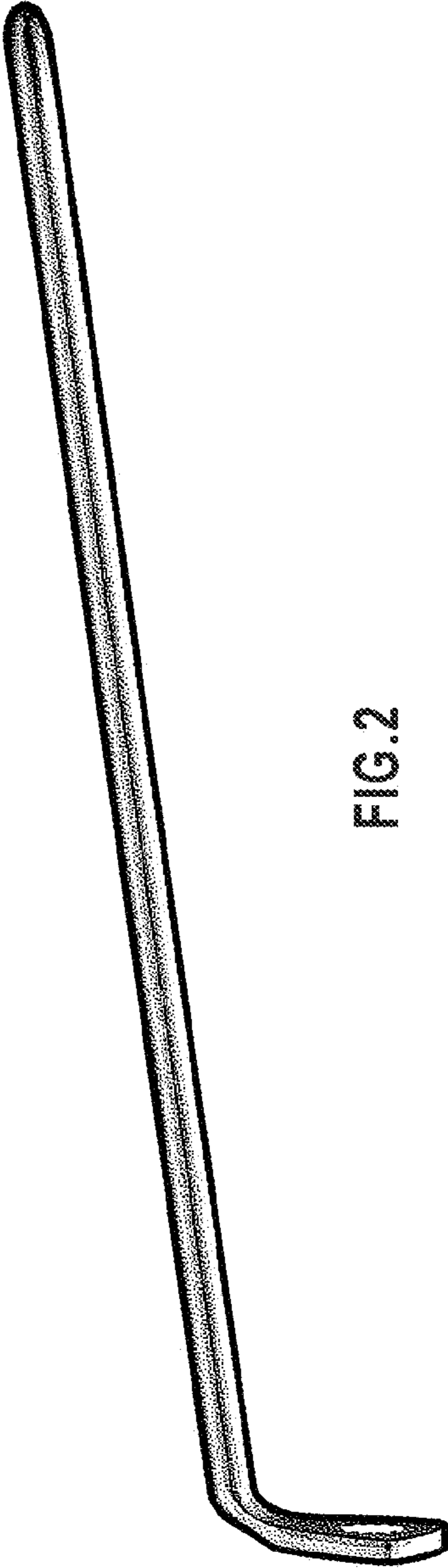


FIG. 2

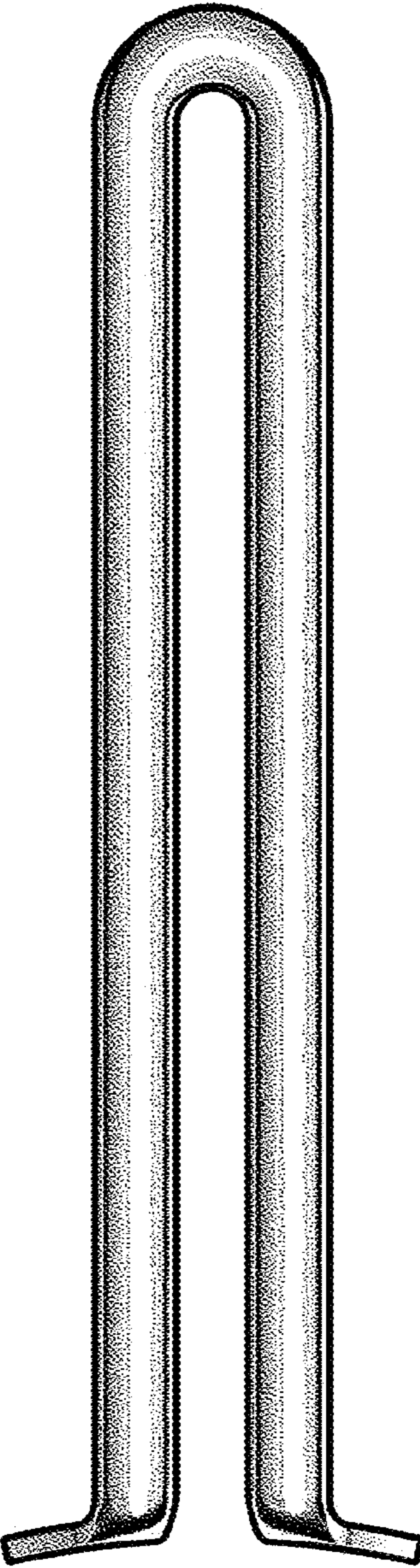


FIG.3

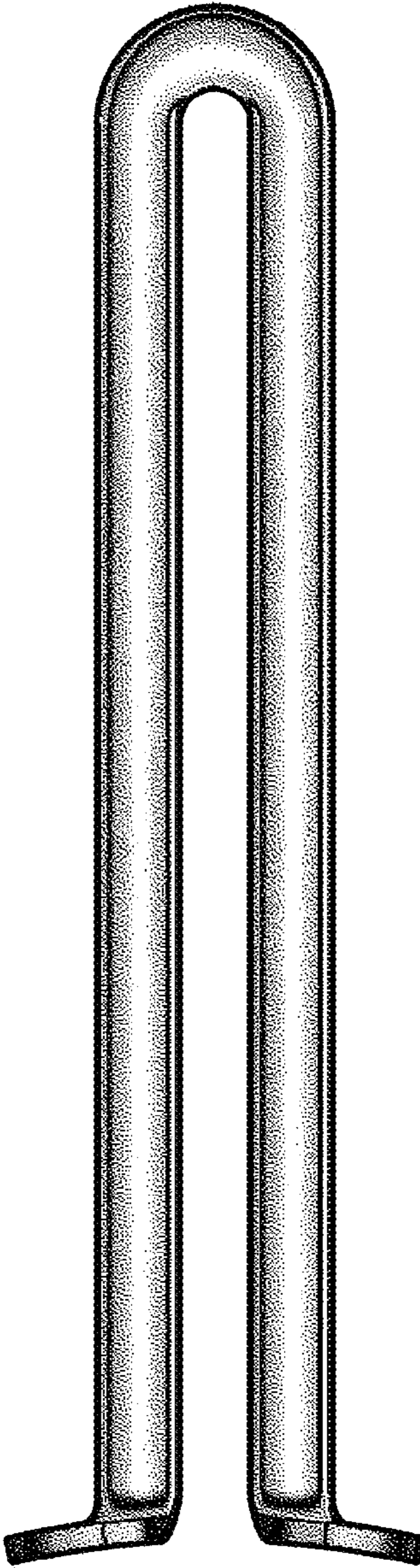


FIG.4

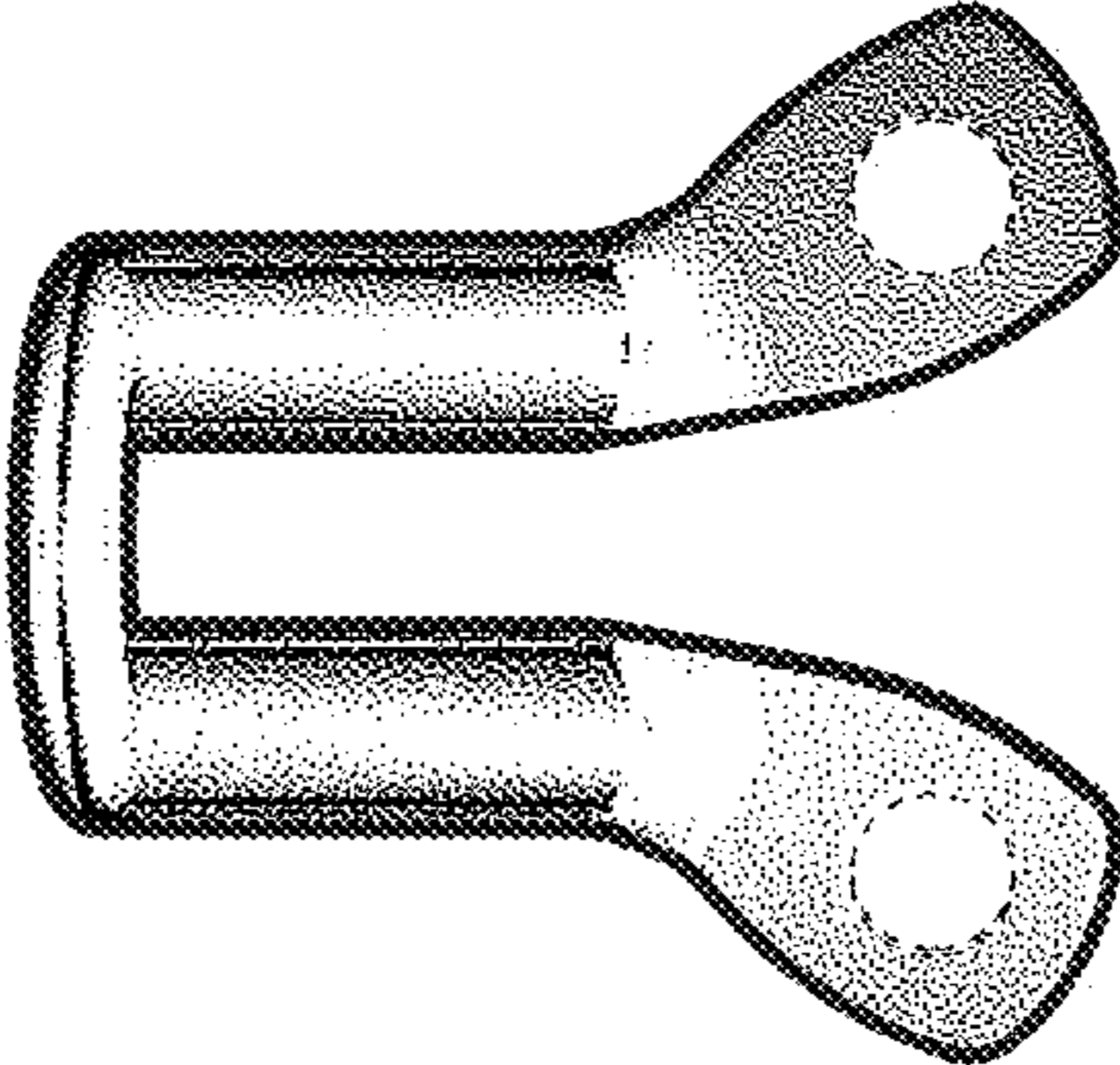


FIG. 5

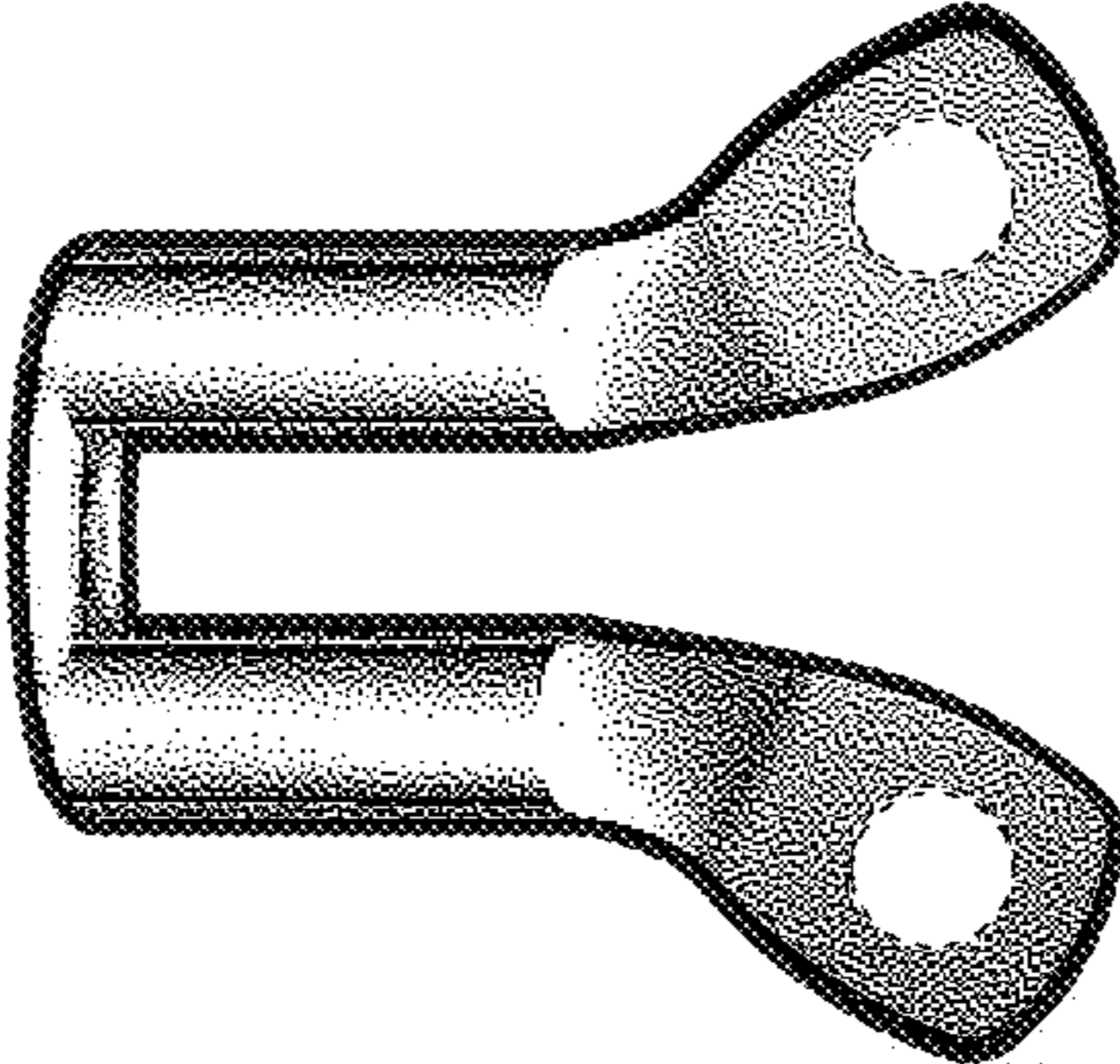


FIG. 6