



US00D704986S

(12) **United States Design Patent**
Manies

(10) **Patent No.:** **US D704,986 S**

(45) **Date of Patent:** **** May 20, 2014**

(54) **FLASK LID**

(71) Applicant: **Steel Technology, LLC**, Bend, OR (US)

(72) Inventor: **Andrea Manies**, Bend, OR (US)

(73) Assignee: **Steel Technology, LLC**, Bend, OR (US)

(**) Term: **14 Years**

(21) Appl. No.: **29/443,806**

(22) Filed: **Jan. 22, 2013**

(51) **LOC (10) Cl.** **09-07**

(52) **U.S. Cl.**
USPC **D7/392**

(58) **Field of Classification Search**

USPC D7/392.1, 394, 391, 392; D9/449, 447,
D9/443, 451, 761, 561, 552, 452; 220/212;
215/229, 387, 388, 41

See application file for complete search history.

(56) **References Cited**

U.S. PATENT DOCUMENTS

D351,761 S *	10/1994	Feer	D7/510
D369,943 S *	5/1996	Dark	D7/392.1
D387,621 S *	12/1997	Sullivan et al.	D7/510
D408,684 S *	4/1999	Helm	D7/510
D547,607 S *	7/2007	Forsman	D7/396.2
D632,176 S *	2/2011	McKinney et al.	D9/450
D632,524 S	2/2011	Rosbach et al.		
D633,338 S	3/2011	Rosbach et al.		
D649,879 S *	12/2011	Gullickson et al.	D9/450
D654,793 S	2/2012	Rosbach		
D668,116 S *	10/2012	Eyal	D7/510
D680,805 S	4/2013	Rosbach		
D682,034 S *	5/2013	El-Saden et al.	D7/510
8,469,226 B2 *	6/2013	Davies et al.	220/707

(Continued)

OTHER PUBLICATIONS

“Sippin’ and Steppin’.” Giftware News. Web. May 2012.*

(Continued)

Primary Examiner — Deanna L Pratt

Assistant Examiner — Kendra L Hamilton

(74) *Attorney, Agent, or Firm* — Kolisch Hartwell, P.C.

(57) **CLAIM**

I claim the ornamental design for a flask lid, as shown and described.

DESCRIPTION

FIG. 1 is a perspective view of a flask lid according to the invention, showing a drinking portion of the flask lid in a closed position.

FIG. 2 is a top view of the flask lid shown in FIG. 1.

FIG. 3 is a bottom view of the flask lid shown in FIG. 1.

FIG. 4 is a right side view of the flask lid shown in FIG. 1.

FIG. 5 is a left side view of the flask lid shown in FIG. 1.

FIG. 6 is a front view of the flask lid shown in FIG. 1.

FIG. 7 is a rear view of the flask lid shown in FIG. 1; and,

FIG. 8 is a perspective view of the flask lid shown in FIG. 1, showing the drinking portion of the flask lid in an open position.

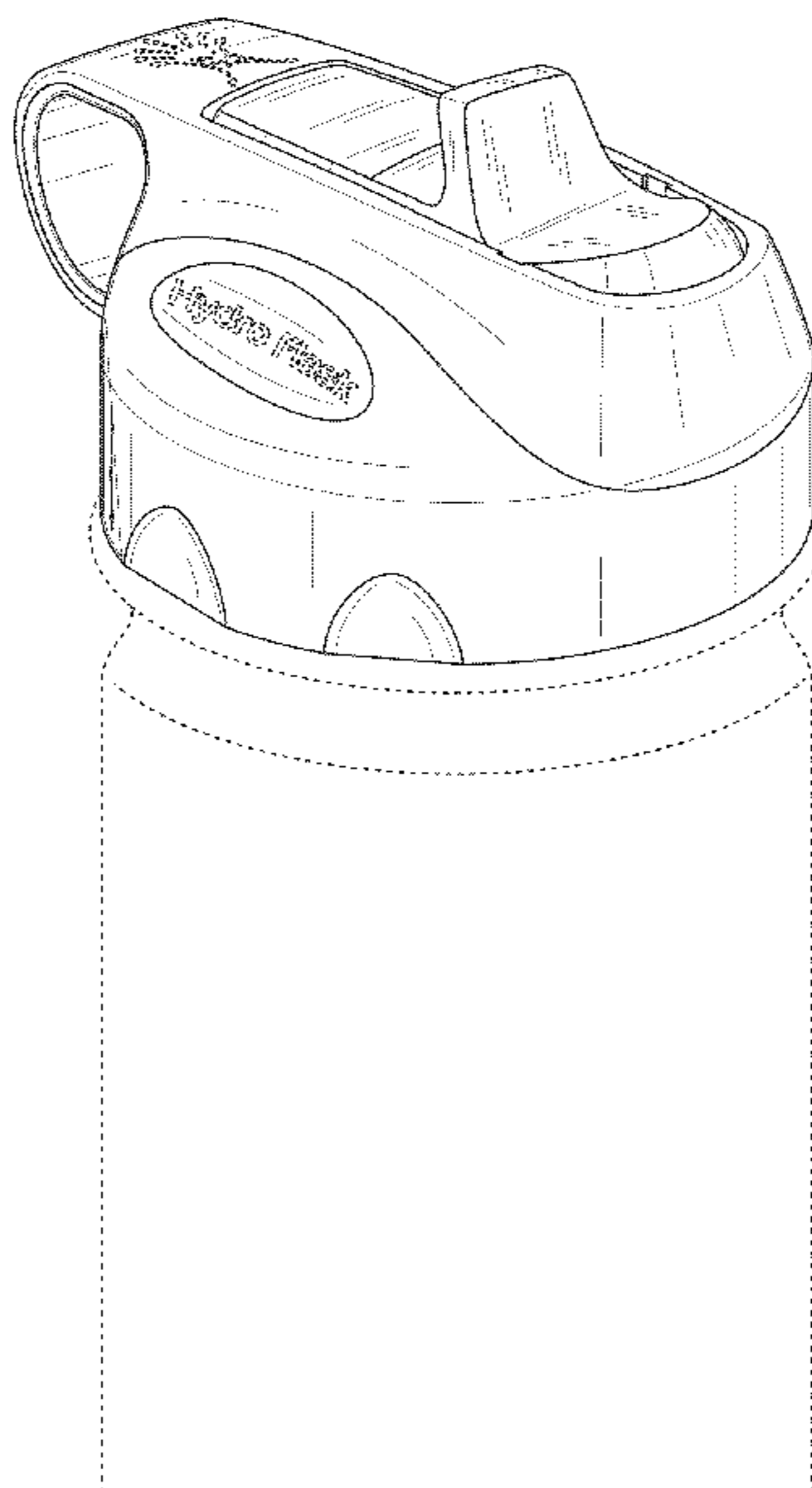
The drinking flask depicted using broken lines in FIGS. 1 and 8 illustrates the environment of the claimed design and forms no part of the claimed design.

Any stippling and shading lines shown in the drawings represent the three-dimensional contour of the design, and are not intended to indicate surface decoration.

Any broken line(s) shown in the drawings are for illustrative purposes only and form no part of the claimed design.

Portions of the flask lid that are not shown in the drawing(s) form no part of the claimed design.

1 Claim, 5 Drawing Sheets



(56)

References Cited

U.S. PATENT DOCUMENTS

D685,606	S	*	7/2013	Keys et al.	D7/392.1
D688,093	S	*	8/2013	Roth et al.	D7/392.1
2007/0039959	A1	*	2/2007	Choi et al.	220/212.5
2013/0032564	A1		2/2013	Rosbach		

OTHER PUBLICATIONS

“Hydro Flask Offers a Sip of Summer: Introducing the Straw Lid.”
blog.hydroflask.com. Web. Jun. 15, 2013.*

US Patent and Trademark Office, U.S. Appl. No. 13/195,123, filed Aug. 1, 2011, which is another application of inventor Travis R. Rosbach.

US Patent and Trademark Office, U.S. Appl. No. 29/398,820, filed Aug. 4, 2011, which is another application of inventor Travis R. Rosbach.

US Patent and Trademark Office, U.S. Appl. No. 61/755,449, filed Jan. 22, 2013, inventor Andrea Manies.

US Patent and Trademark Office, U.S. Appl. No. 29/443,806, filed Jan. 22, 2013, inventor Andrea Manies.

US Patent and Trademark Office, U.S. Appl. No. 29/449,102, filed Mar. 14, 2013, which is another application of inventor Travis R. Rosbach.

* cited by examiner

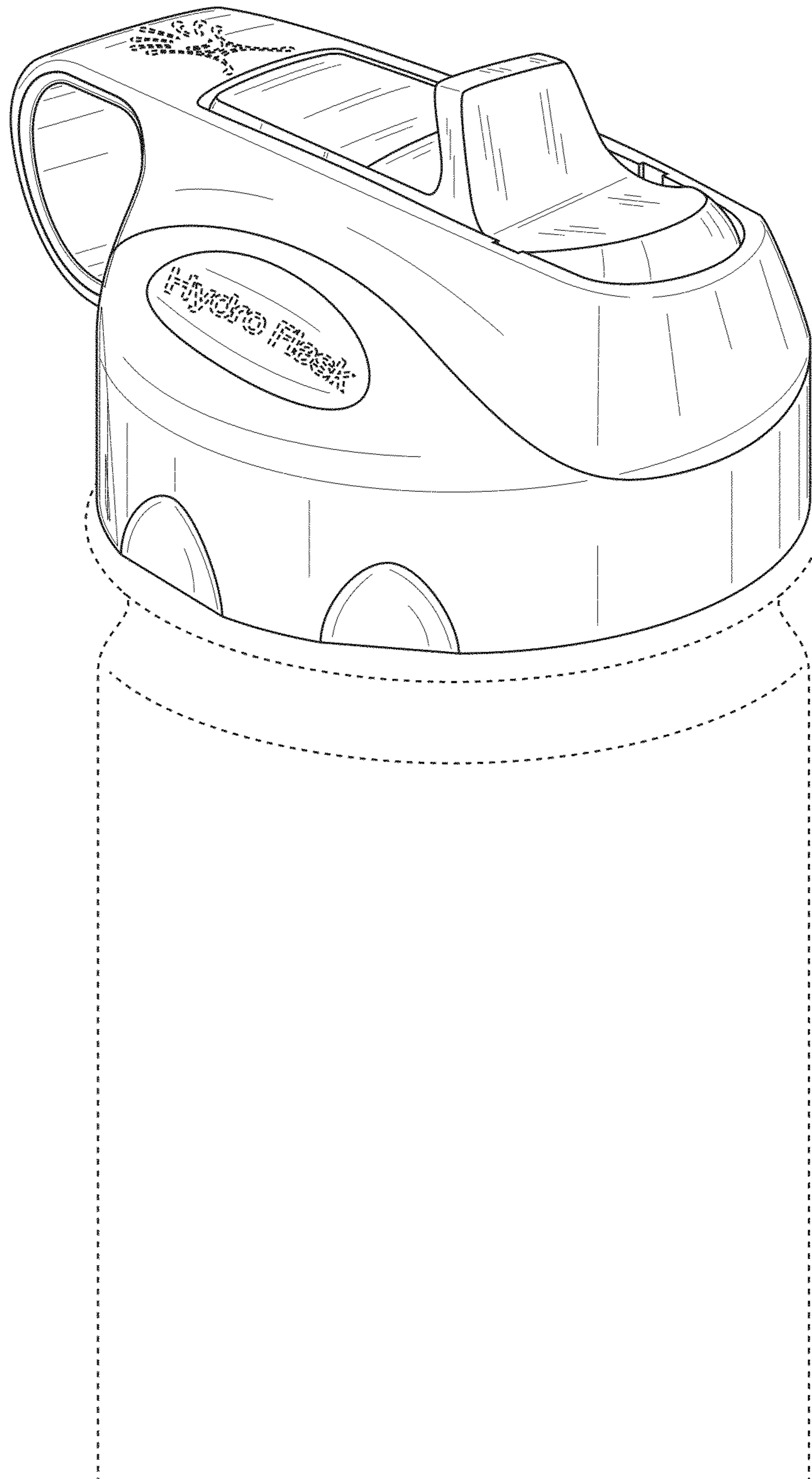


FIG. 1

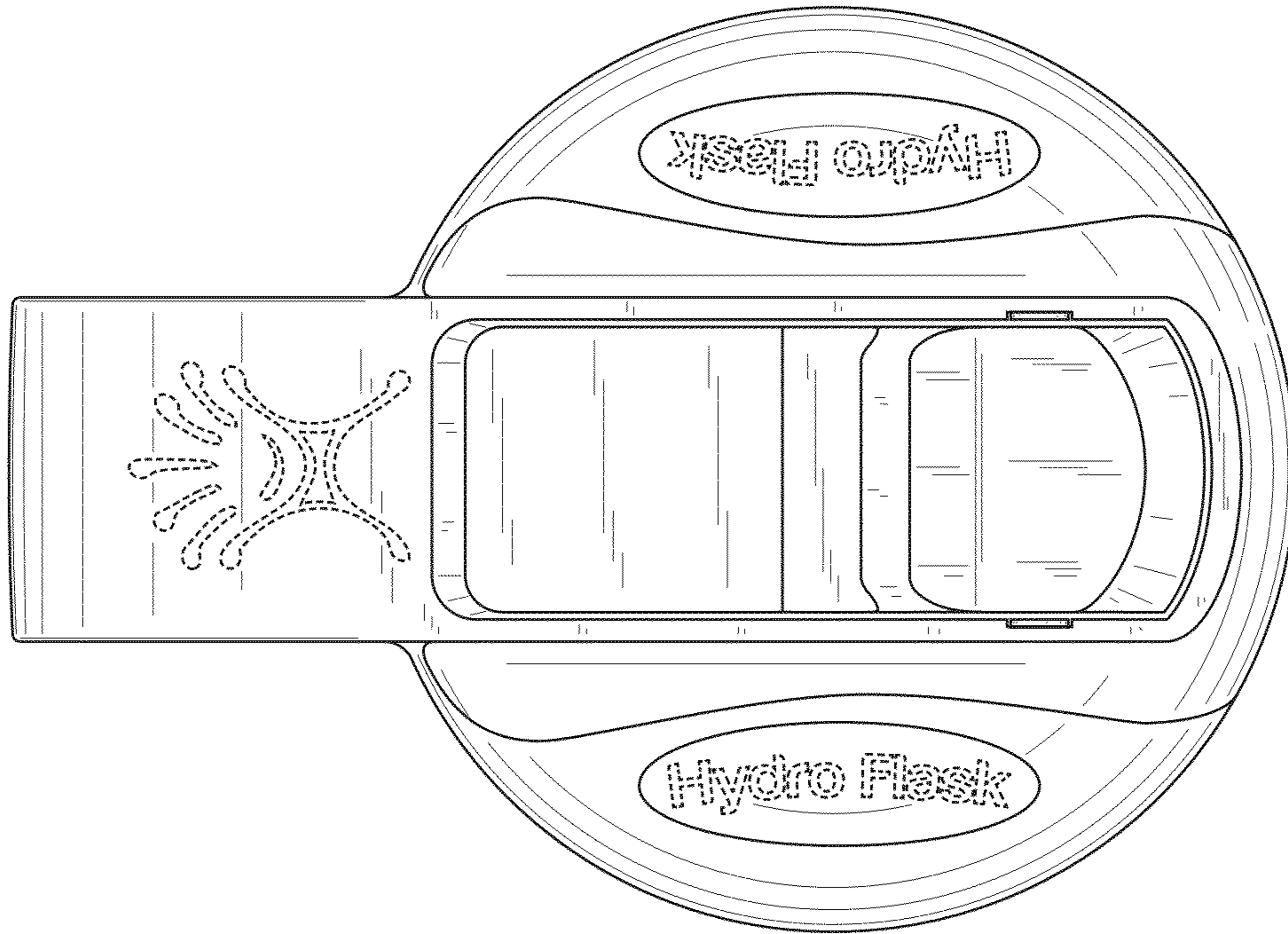


FIG. 2

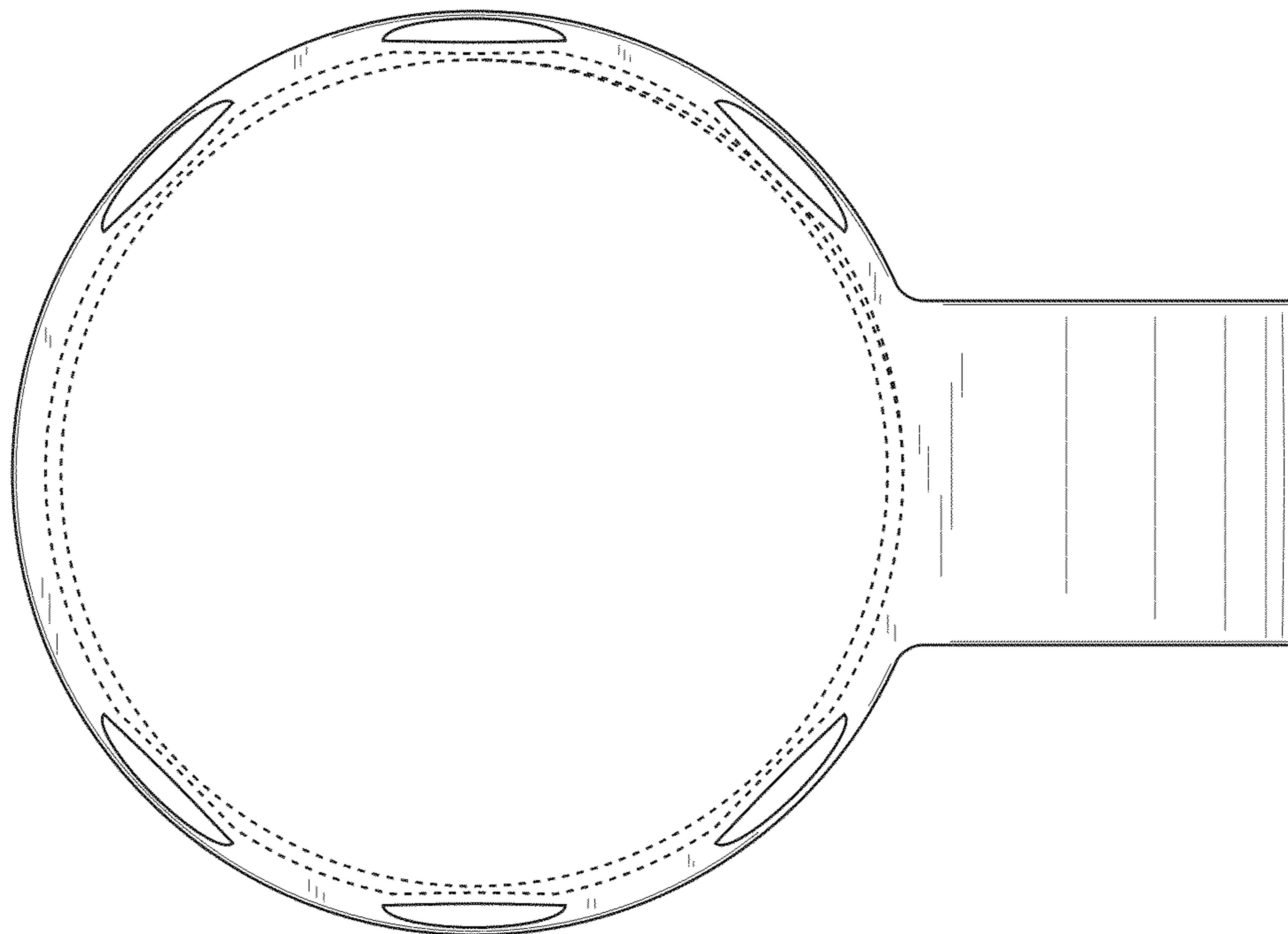


FIG. 3

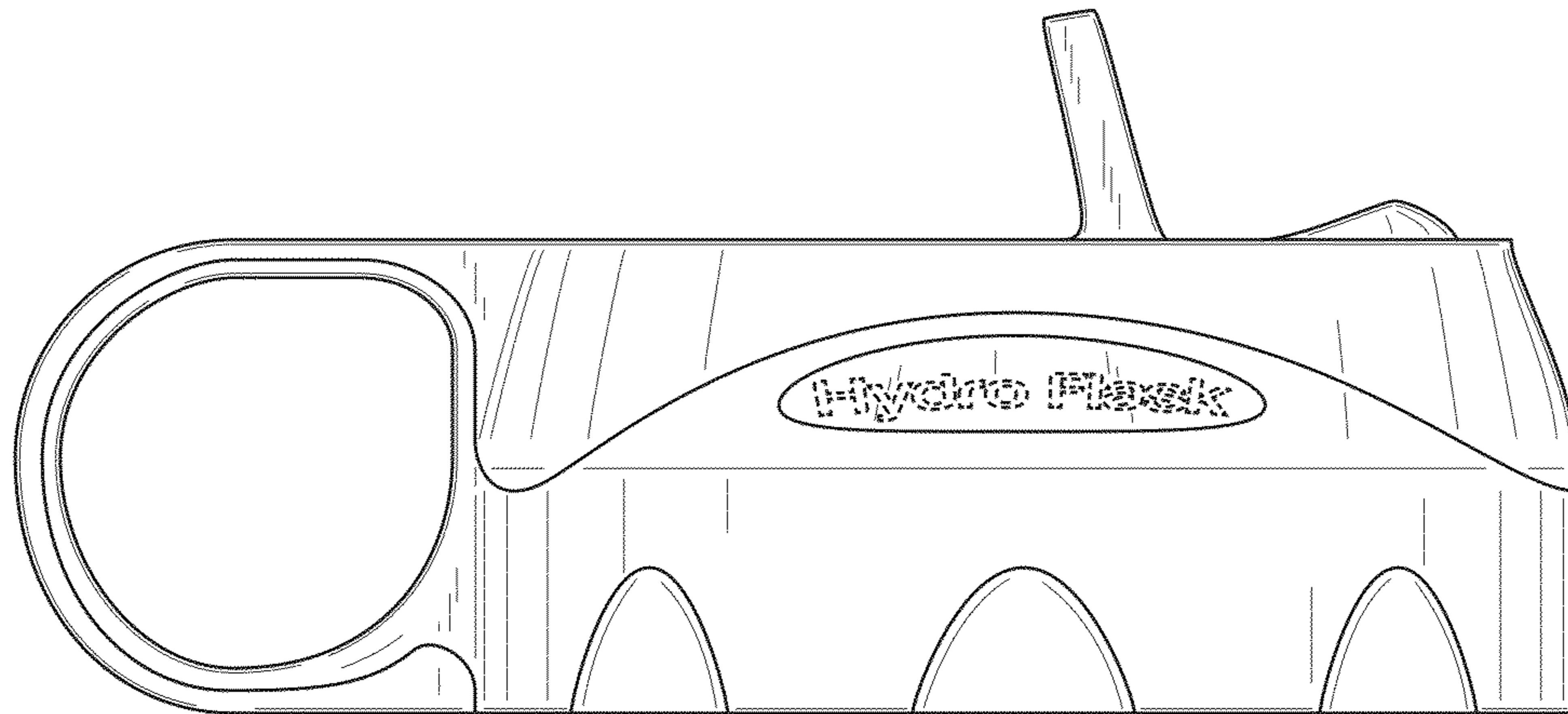


FIG. 4

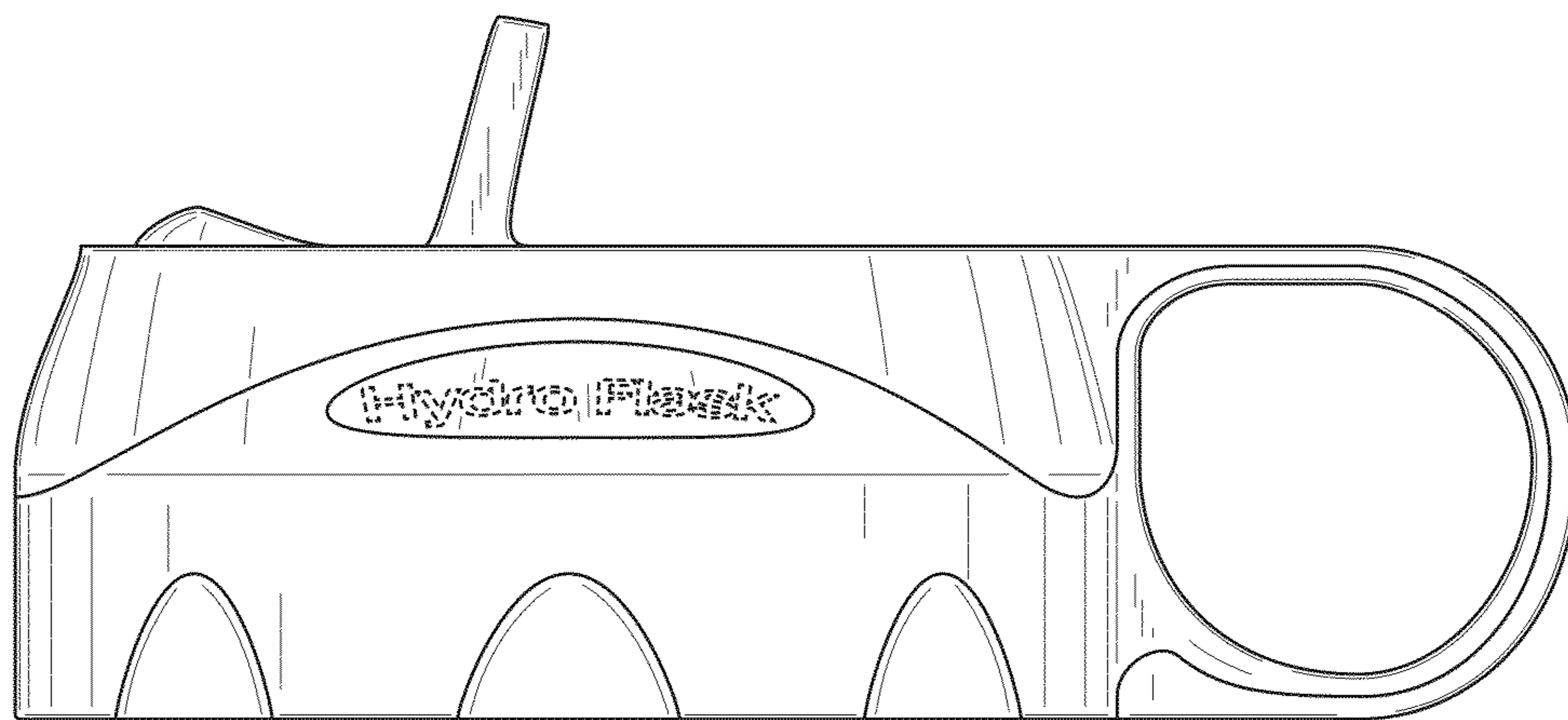


FIG. 5

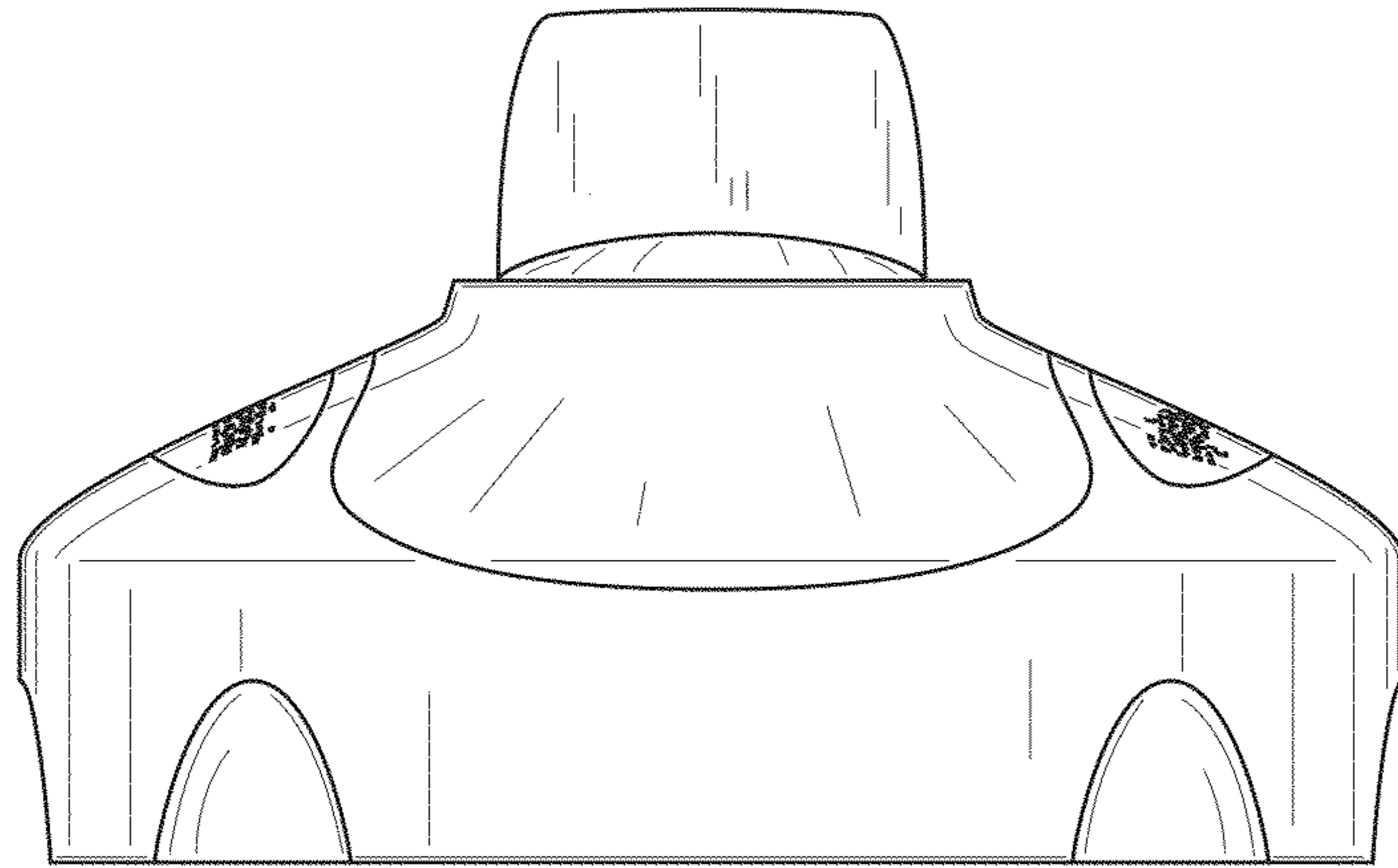


FIG. 6

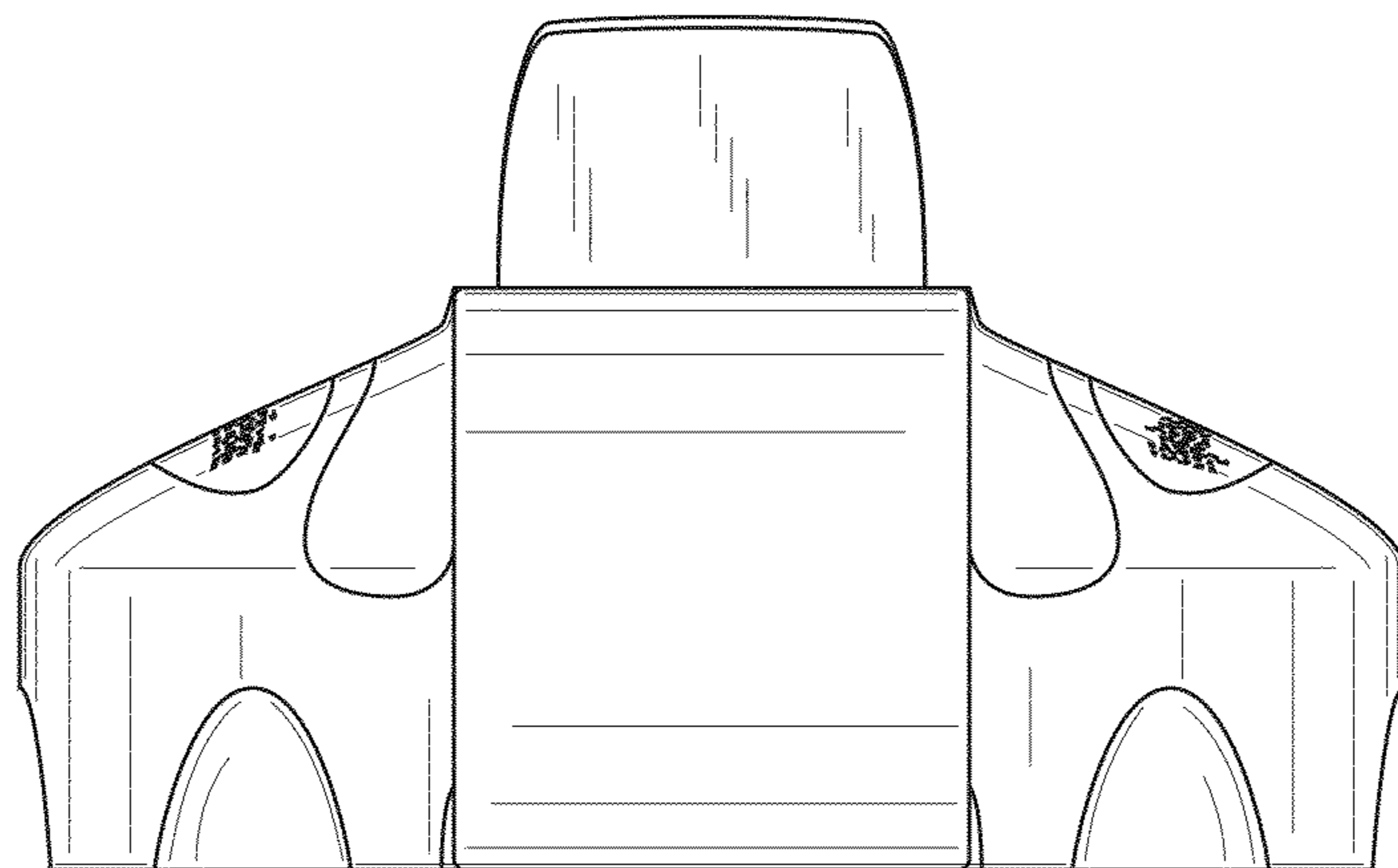


FIG. 7

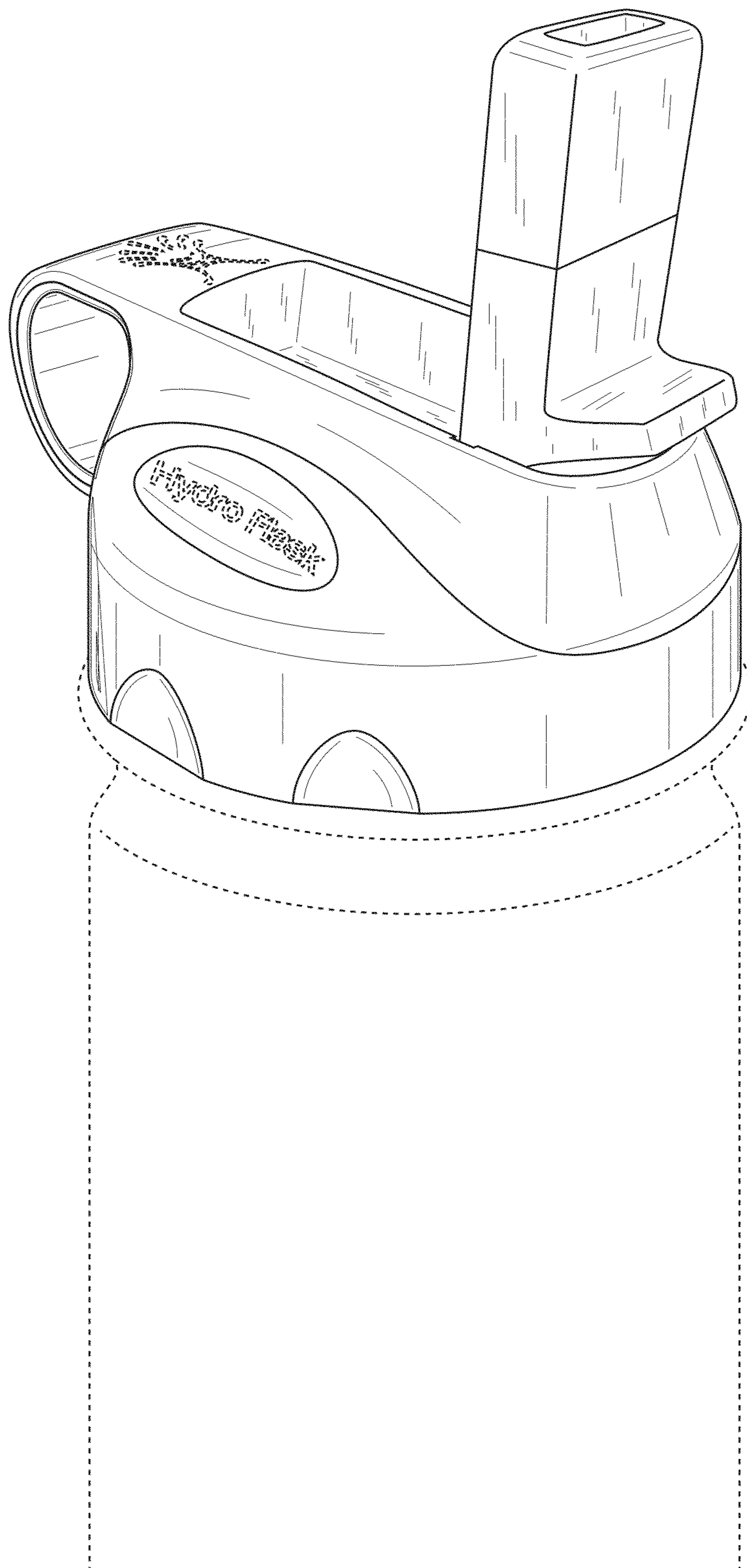


FIG. 8