



US00D704985S

(12) **United States Design Patent**  
**Lin**

(10) **Patent No.:** **US D704,985 S**

(45) **Date of Patent:** **\*\* May 20, 2014**

(54) **LID**

(76) **Inventor:** **Shao Chiu Lin, Tainan (TW)**

(\*\*) **Term:** **14 Years**

(21) **Appl. No.:** **29/426,368**

(22) **Filed:** **Jul. 4, 2012**

(51) **LOC (10) Cl.** ..... **07-02**

(52) **U.S. Cl.**  
USPC ..... **D7/391; D7/354**

(58) **Field of Classification Search**  
USPC ..... D7/307, 323, 329-332, 339, 346-347,  
D7/350.1-350.4, 353-367, 391-392,  
D7/392.1, 393, 395, 402, 406, 409,  
D7/538-545, 553.6, 555, 557, 584-587,  
D7/600-602, 610-614, 629, 665-667,  
D7/672; D12/209; 99/324-325, 331-343,  
99/369, 400-418, 422, 425, 426, 440, 451,  
99/483; 126/37 R, 261, 373.1, 374.1,  
126/378.1, 381.1, 385.1; 206/501-505,  
206/507-508; 219/400, 405, 429-442,  
219/620-624, 725, 730-735; 220/203.05,  
220/203.07, 203.09, 298, 315-316,  
220/573.1-573.5, 575, 912; 248/506;  
426/438, 441

See application file for complete search history.

(56) **References Cited**

U.S. PATENT DOCUMENTS

867,086	A	*	9/1907	Sullivan	.....	126/373.1
D53,935	S	*	10/1919	Reaper	.....	D7/557
1,576,088	A	*	3/1926	Bunz	.....	220/575
2,550,989	A	*	5/1951	French et al.	.....	248/506
D164,669	S	*	10/1951	Chaplin	.....	D7/555
D191,058	S	*	8/1961	Jones	.....	D7/584
D209,848	S	*	1/1968	Berend	.....	D7/614
D281,660	S	*	12/1985	Trudeau et al.	.....	D7/584
D364,537	S	*	11/1995	Anderson	.....	D7/553.6
D383,354	S	*	9/1997	Nassar	.....	D7/357
D404,701	S	*	1/1999	Wang	.....	D12/209
D454,822	S	*	3/2002	Leutz	.....	D12/209
D600,972	S	*	9/2009	Andersson	.....	D7/391

\* cited by examiner

*Primary Examiner* — Ricky Pham

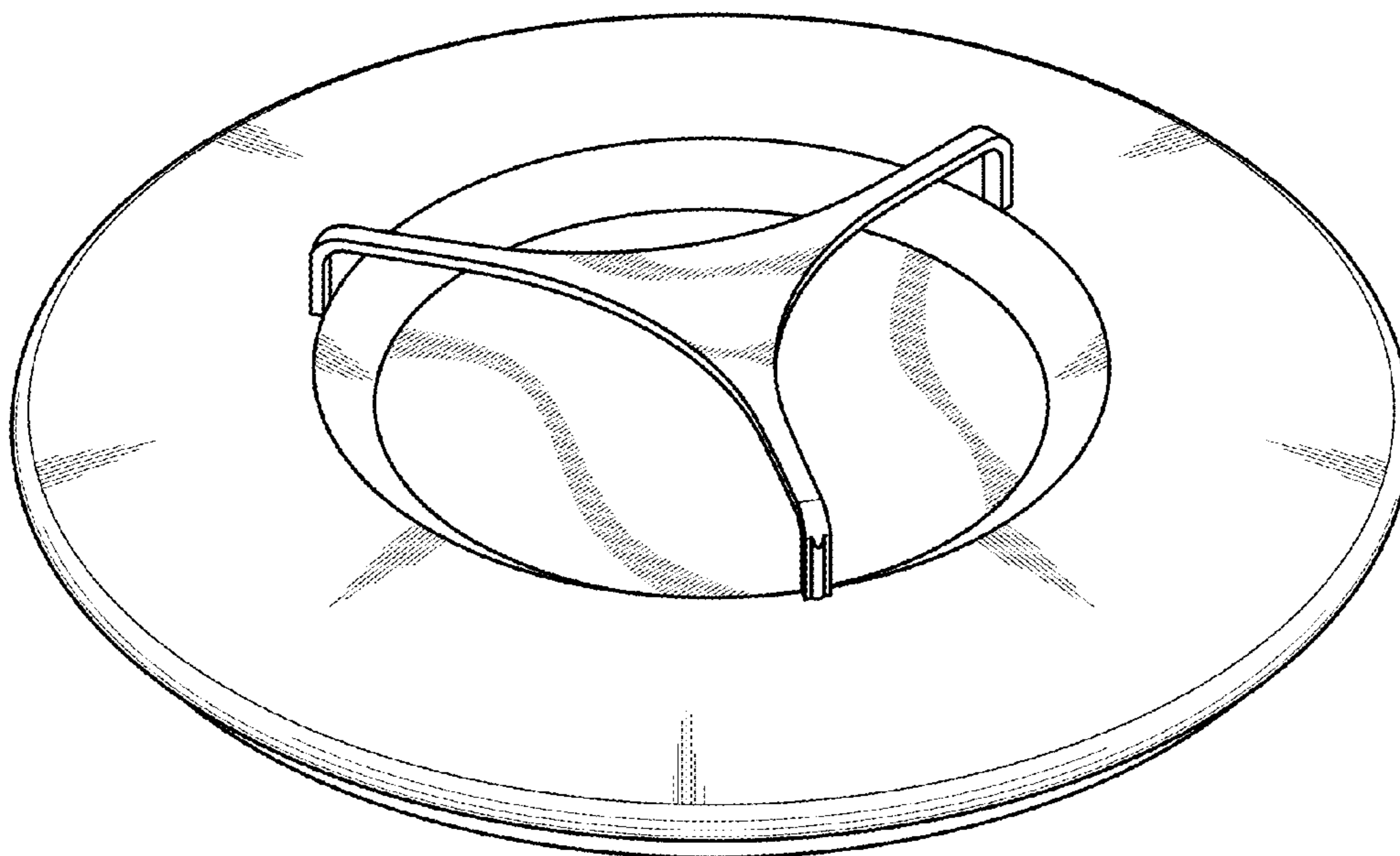
(57) **CLAIM**

The ornamental design for a lid, as shown and described.

**DESCRIPTION**

FIG. 1 is a perspective view of a lid showing my design;  
FIG. 2 is a front elevational view thereof;  
FIG. 3 is a rear elevational view thereof;  
FIG. 4 is a left side elevational view thereof;  
FIG. 5 is a right side elevational view thereof;  
FIG. 6 is a top plan view thereof; and,  
FIG. 7 is a bottom plan view thereof.

**1 Claim, 7 Drawing Sheets**



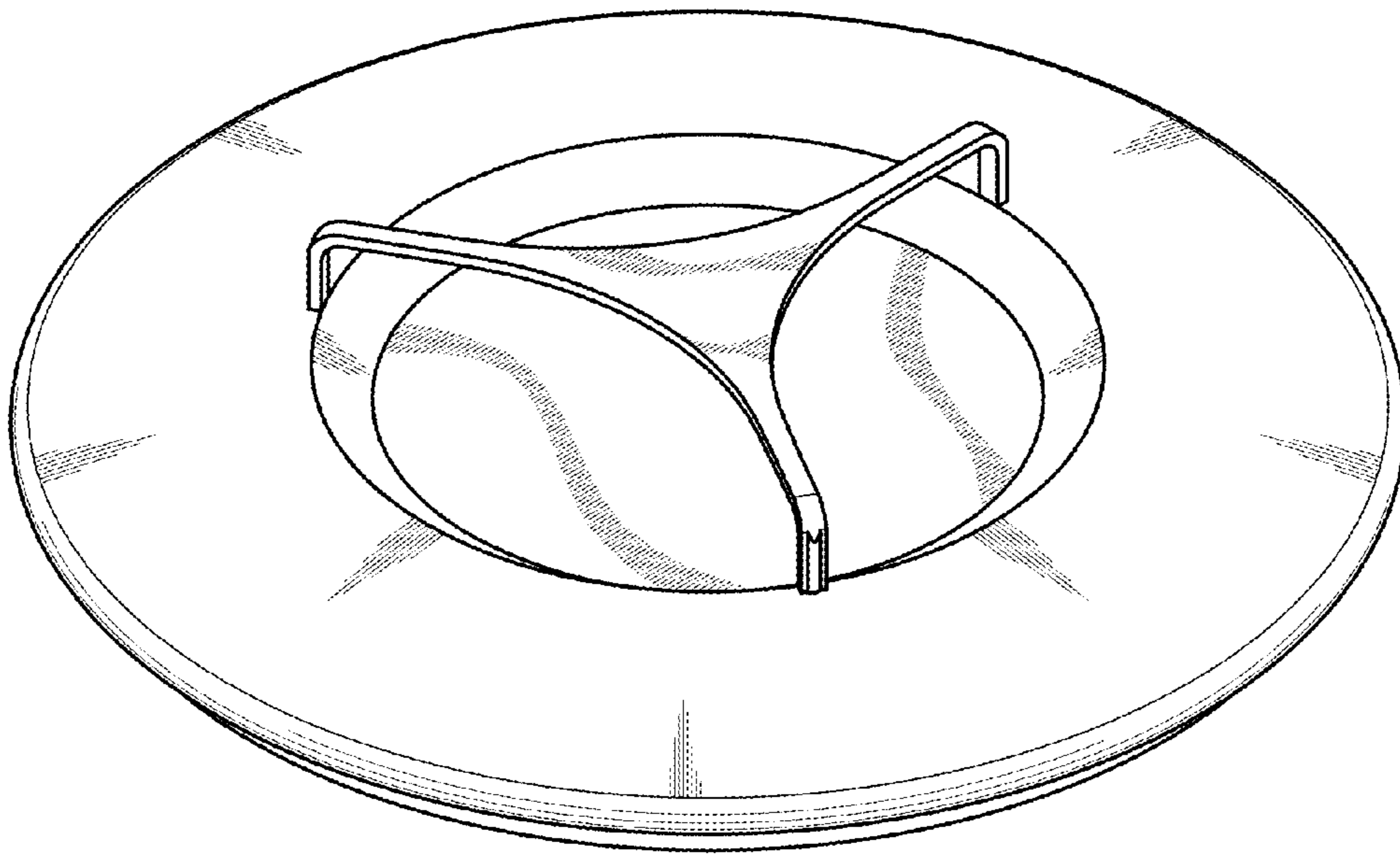


FIG.1

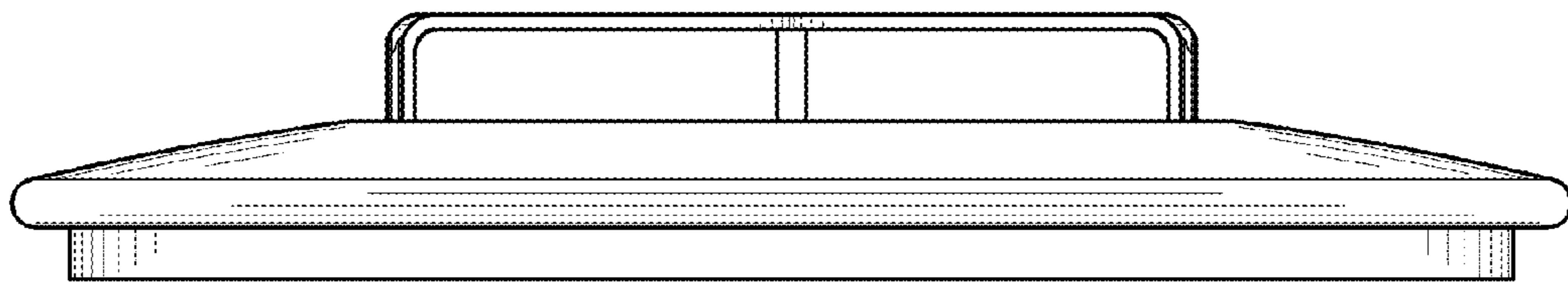


FIG.2

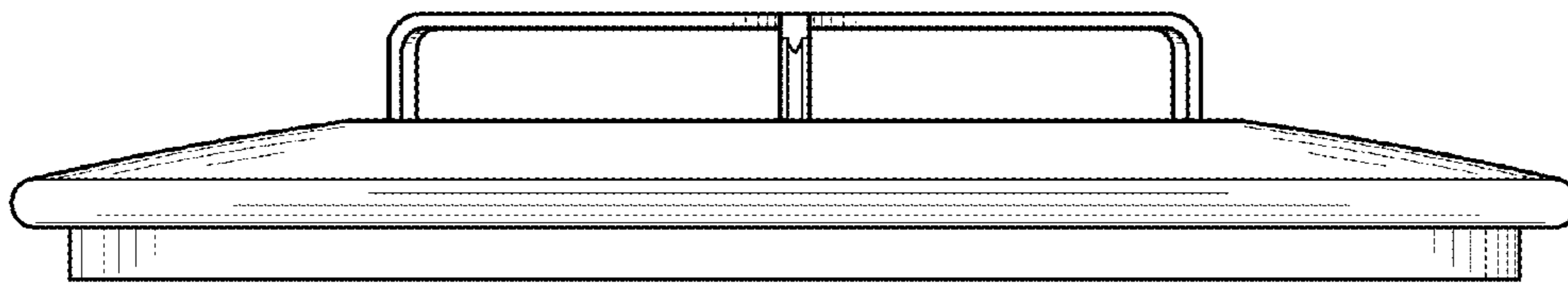


FIG.3

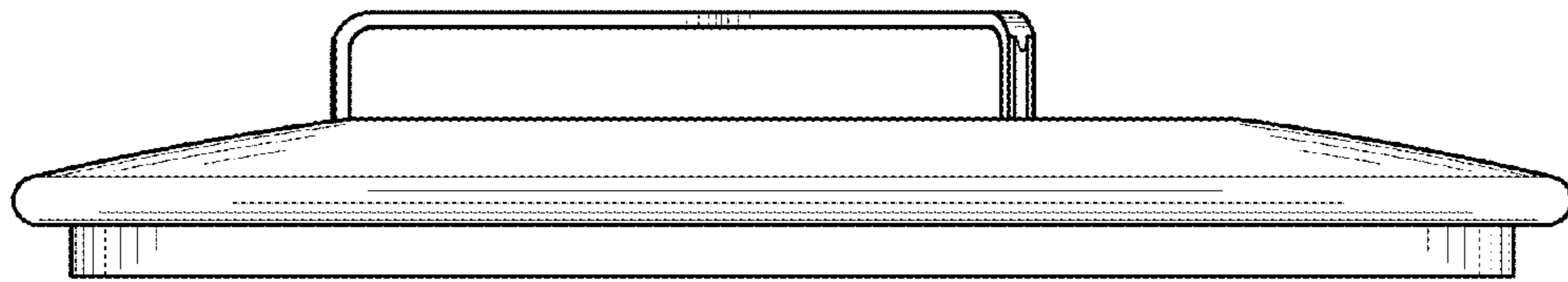


FIG.4

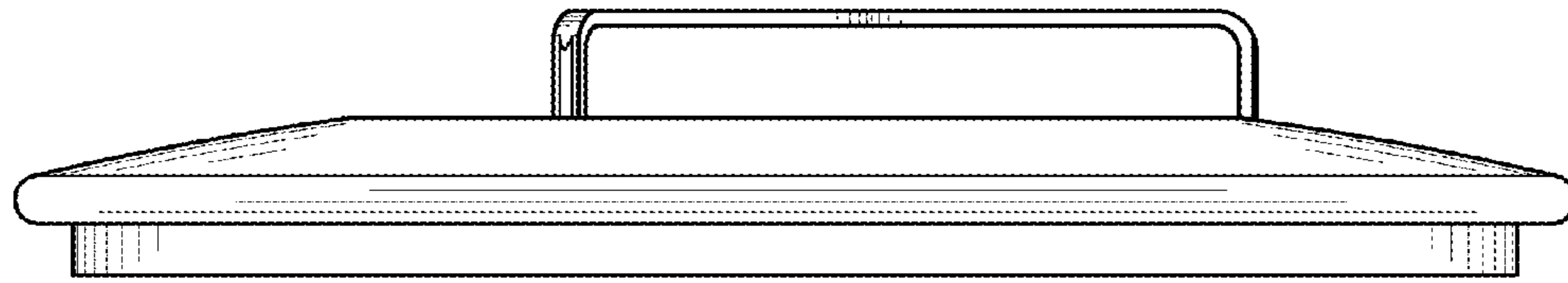


FIG.5

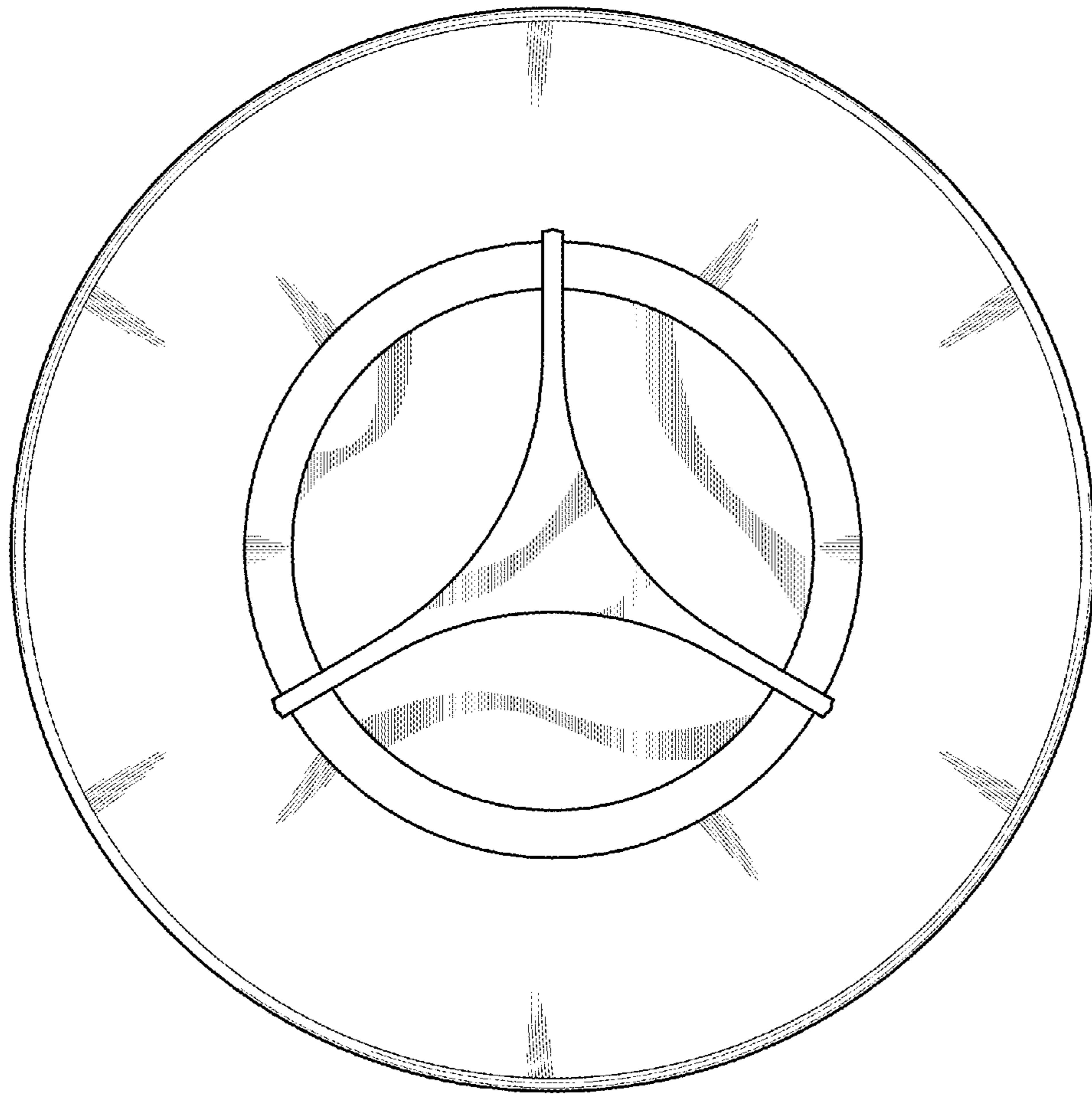


FIG. 6

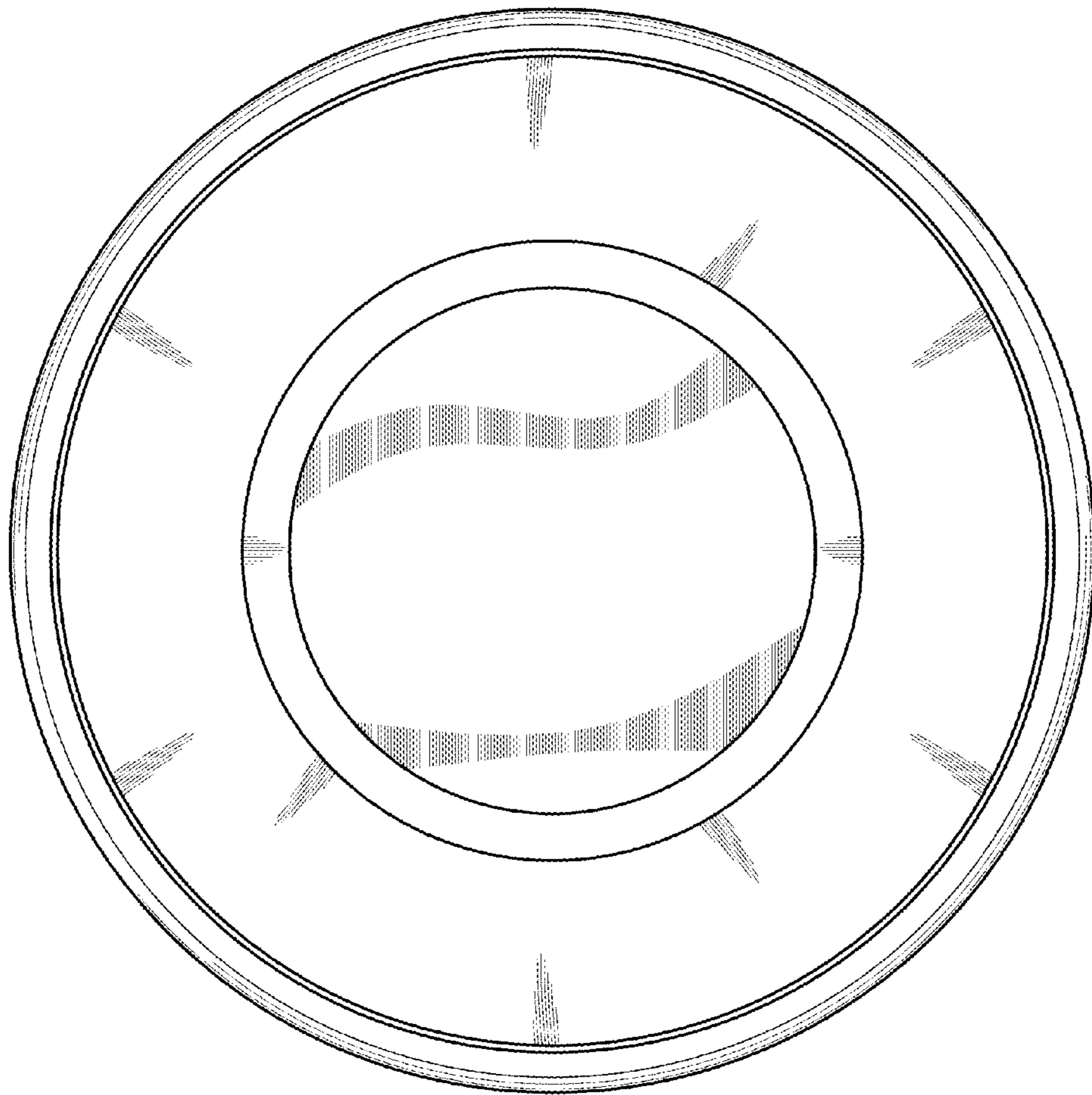


FIG. 7