



US00D704984S

(12) **United States Design Patent**
Hollinger

(10) **Patent No.:** **US D704,984 S**

(45) **Date of Patent:** **** May 20, 2014**

(54) **SMOOTHIE MAKER**

(71) Applicant: **E. Mishan & Sons, Inc.**, New York, NY
(US)

(72) Inventor: **Fred Hollinger**, Monroe Township, NJ
(US)

(73) Assignee: **E. Mishan & Sons, Inc.**, New York, NY
(US)

(**) Term: **14 Years**

(21) Appl. No.: **29/478,754**

(22) Filed: **Jan. 8, 2014**

(51) **LOC (10) Cl.** **31-00**

(52) **U.S. Cl.**
USPC **D7/376**

(58) **Field of Classification Search**
USPC D7/372, 376-386, 412, 413, 536, 665;
99/509-511; 241/82.1, 92-93, 101.01,
241/101.2, 166-167, 169.1, 261.1,
241/274-278.2, 282.1, 285.1-285.3, 291,
241/292.1; 366/64-65, 97-98, 100,
366/197-201, 205-207, 219-220, 341-344
See application file for complete search history.

(56) **References Cited**

U.S. PATENT DOCUMENTS

2,965,145	A *	12/1960	Gutfreund	241/285.1
3,032,087	A *	5/1962	Rodwick	241/92
4,390,133	A *	6/1983	Wanat	241/93
D300,400	S *	3/1989	Kelly et al.	D7/381
D325,322	S *	4/1992	Maass	D7/384
D484,738	S *	1/2004	Wong	D7/372
D495,921	S *	9/2004	Lallemand	D7/372
D531,850	S *	11/2006	Wong	D7/372
7,207,510	B2 *	4/2007	Wong	241/82.1

D677,975	S *	3/2013	Jin et al.	D7/381
D683,577	S *	6/2013	Cohen	D7/372
8,550,390	B2 *	10/2013	Machovina et al.	241/261.1
2003/0226923	A1 *	12/2003	Starr et al.	241/282.1
2008/0098765	A1	5/2008	Bond		

FOREIGN PATENT DOCUMENTS

CN 201220388842 U 8/2012

* cited by examiner

Primary Examiner — Ricky Pham

(74) *Attorney, Agent, or Firm* — Notaro, Michalos & Zaccaria P.C.

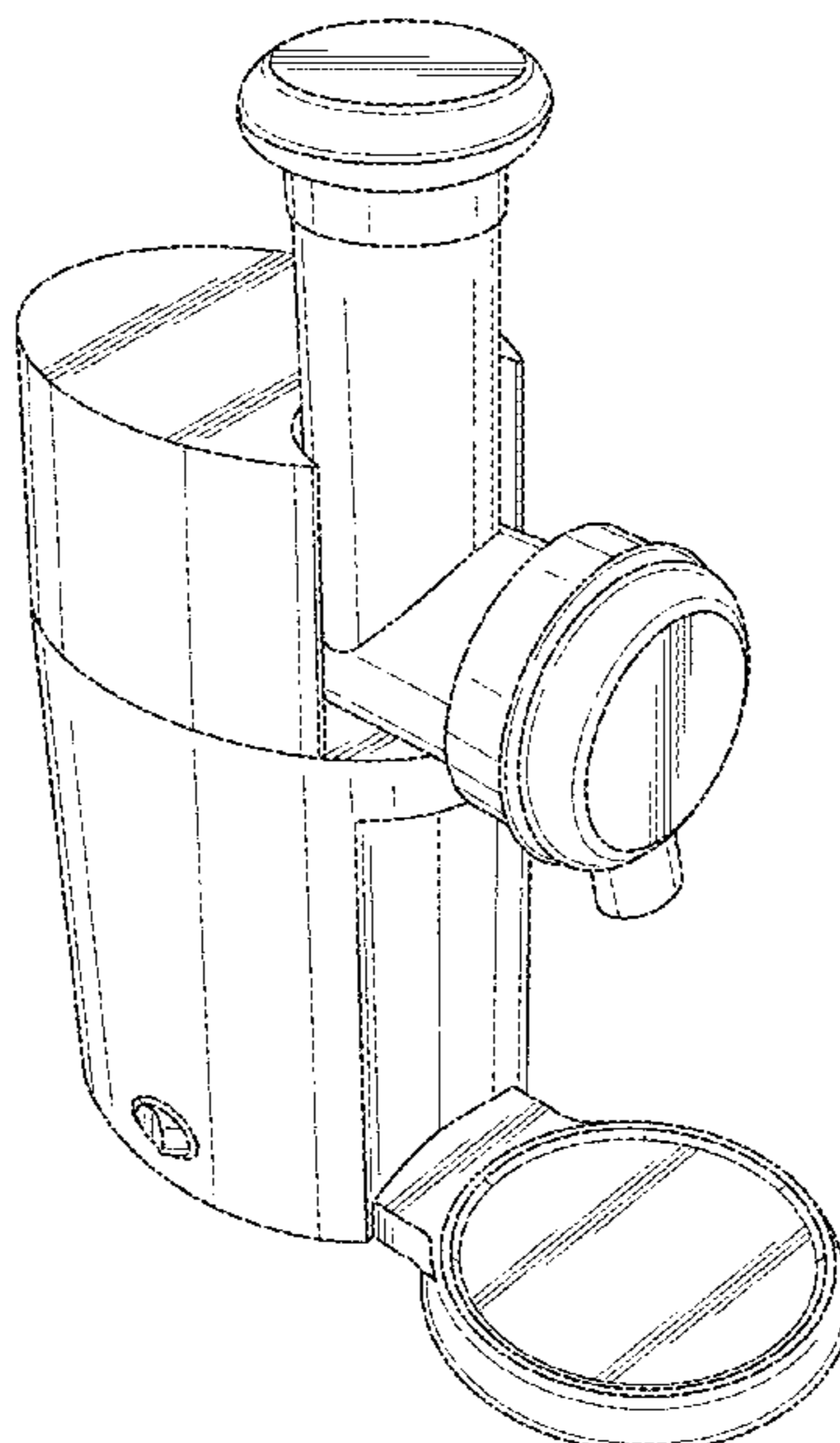
(57) **CLAIM**

The ornamental design for a smoothie maker, as shown and described.

DESCRIPTION

FIG. 1 is a front, right, top perspective view of a smoothie maker showing my new design therefor; FIG. 2 is a front elevational view thereof; FIG. 3 is a rear elevational view thereof; FIG. 4 is a right side elevational view thereof; FIG. 5 is a left side elevational view thereof; FIG. 6 is a top plan view thereof; FIG. 7 is a bottom plan view thereof; FIG. 8 is a front, right top perspective view of the smoothie maker with a different inlet fitting; FIG. 9 is a front elevational view thereof; FIG. 10 is a rear elevational view thereof; FIG. 11 is a right side elevational view thereof; FIG. 12 is a left side elevational view thereof; FIG. 13 is a top plan view thereof; and, FIG. 14 is a bottom plan view thereof. The broken lines shown in the drawings are for illustrative purposes only and form no part of the claimed design.

1 Claim, 11 Drawing Sheets



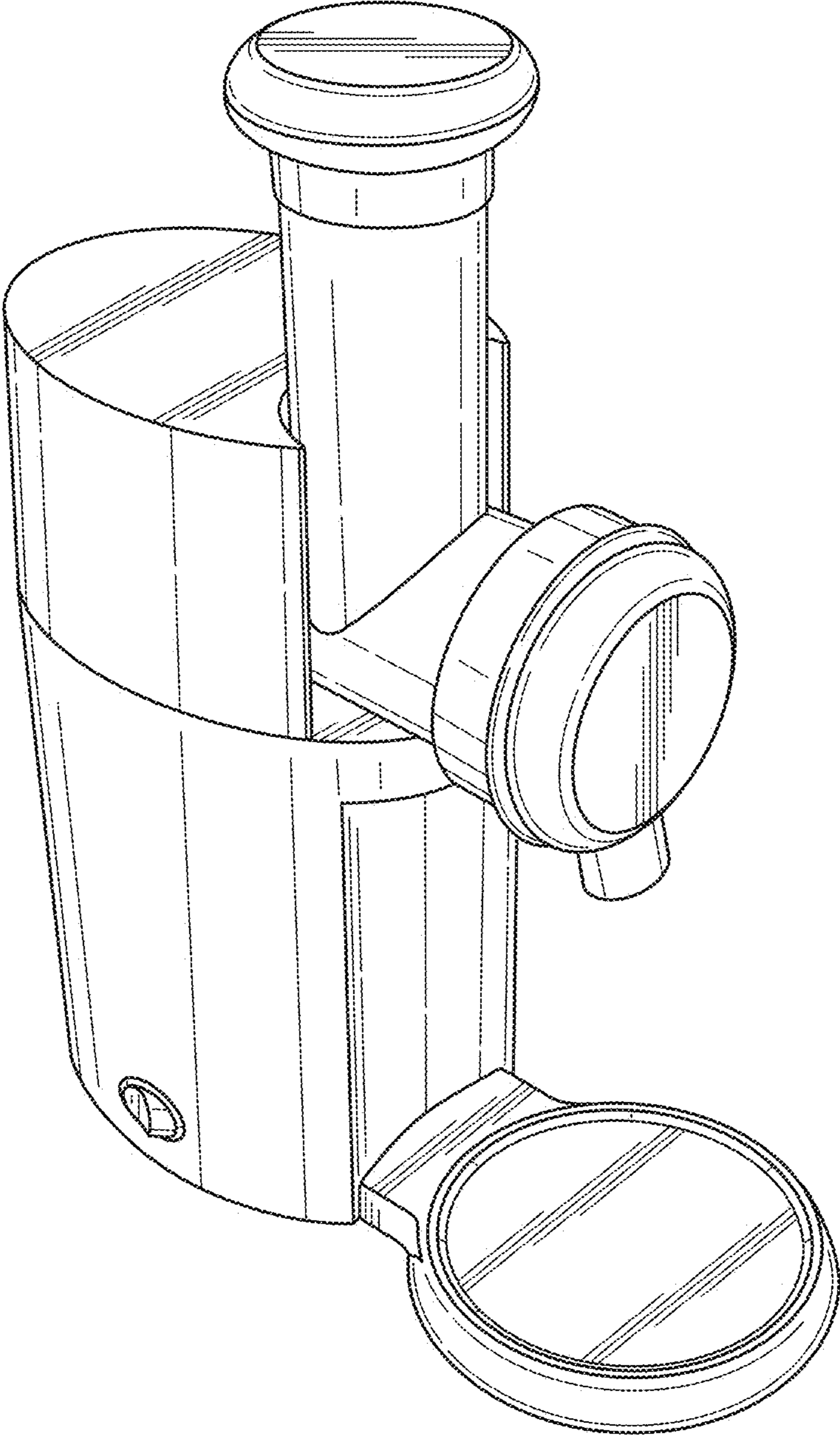


FIG. 1

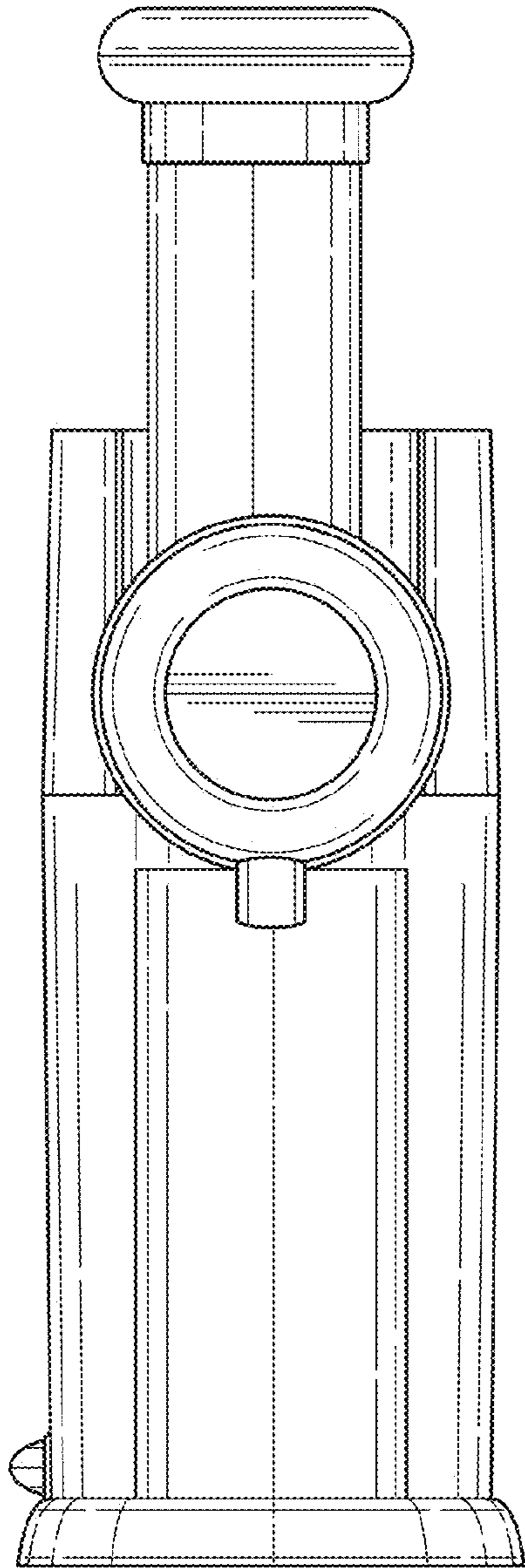


FIG. 2

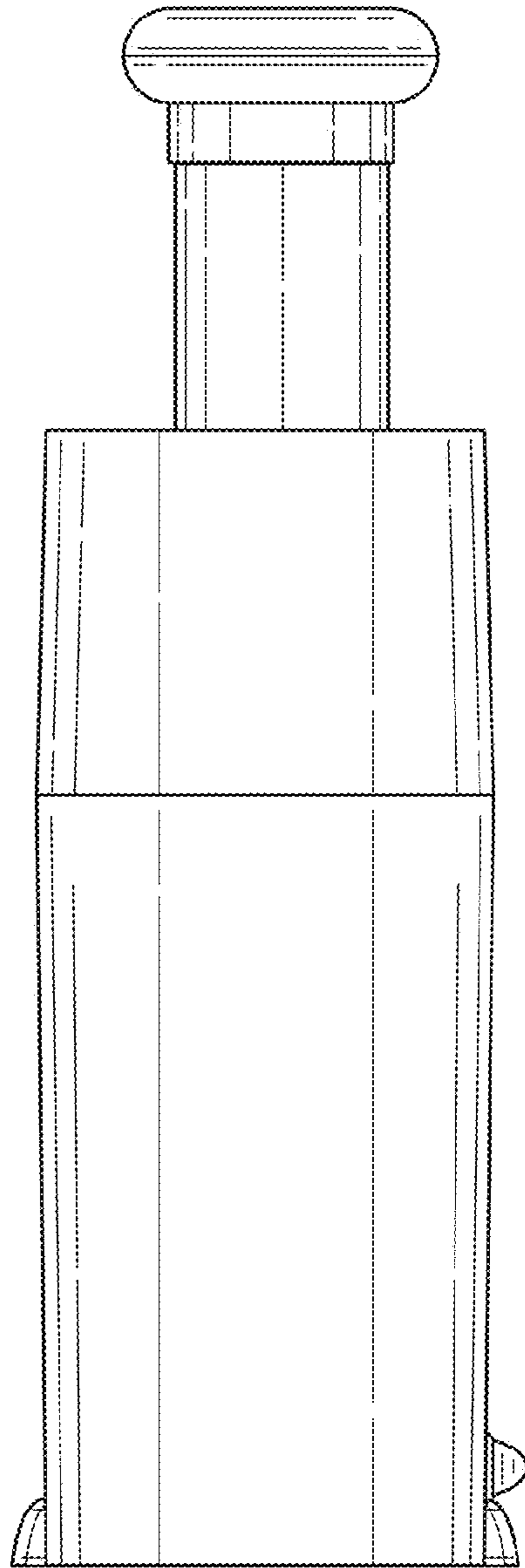


FIG. 3

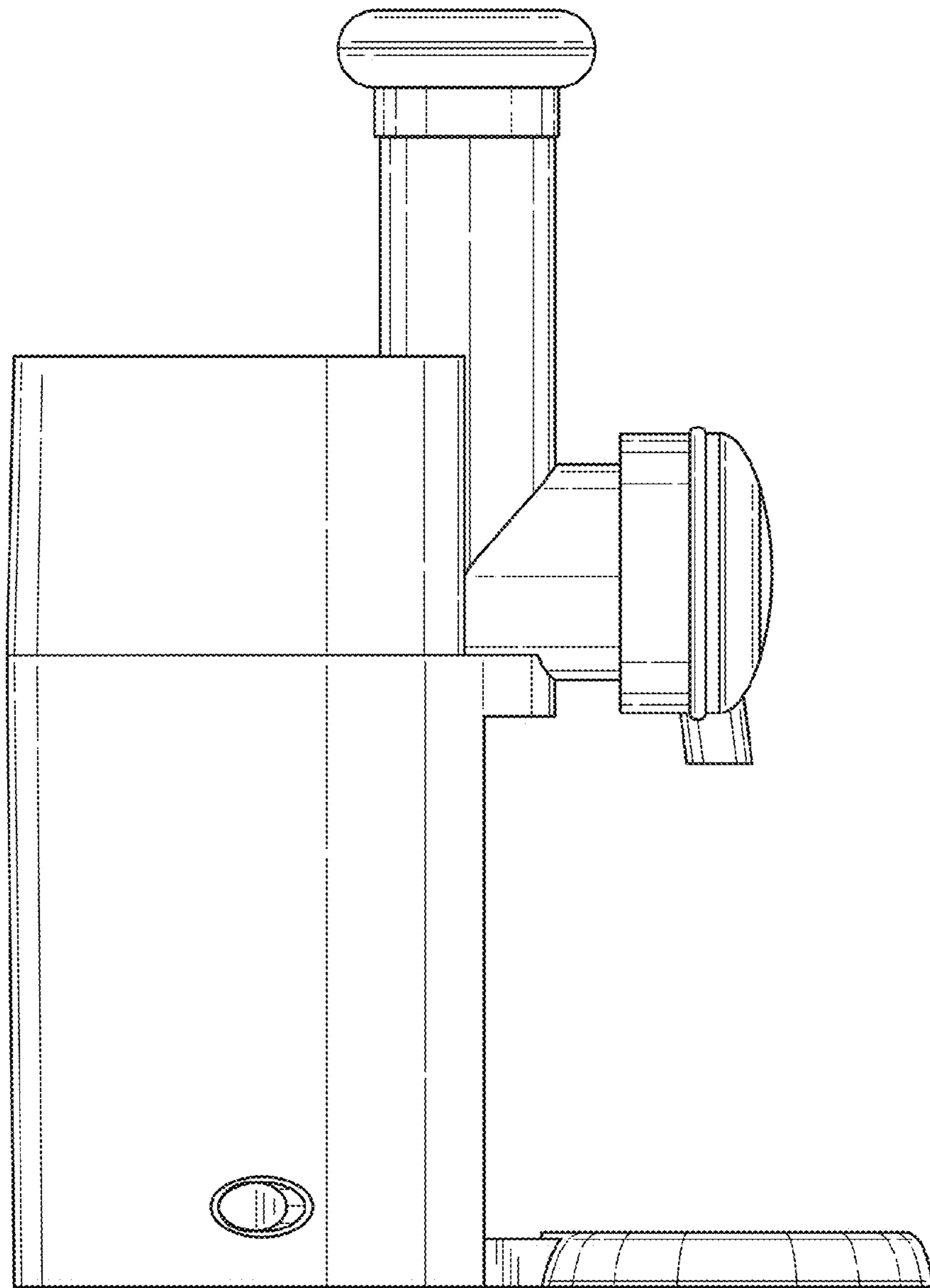


FIG. 4

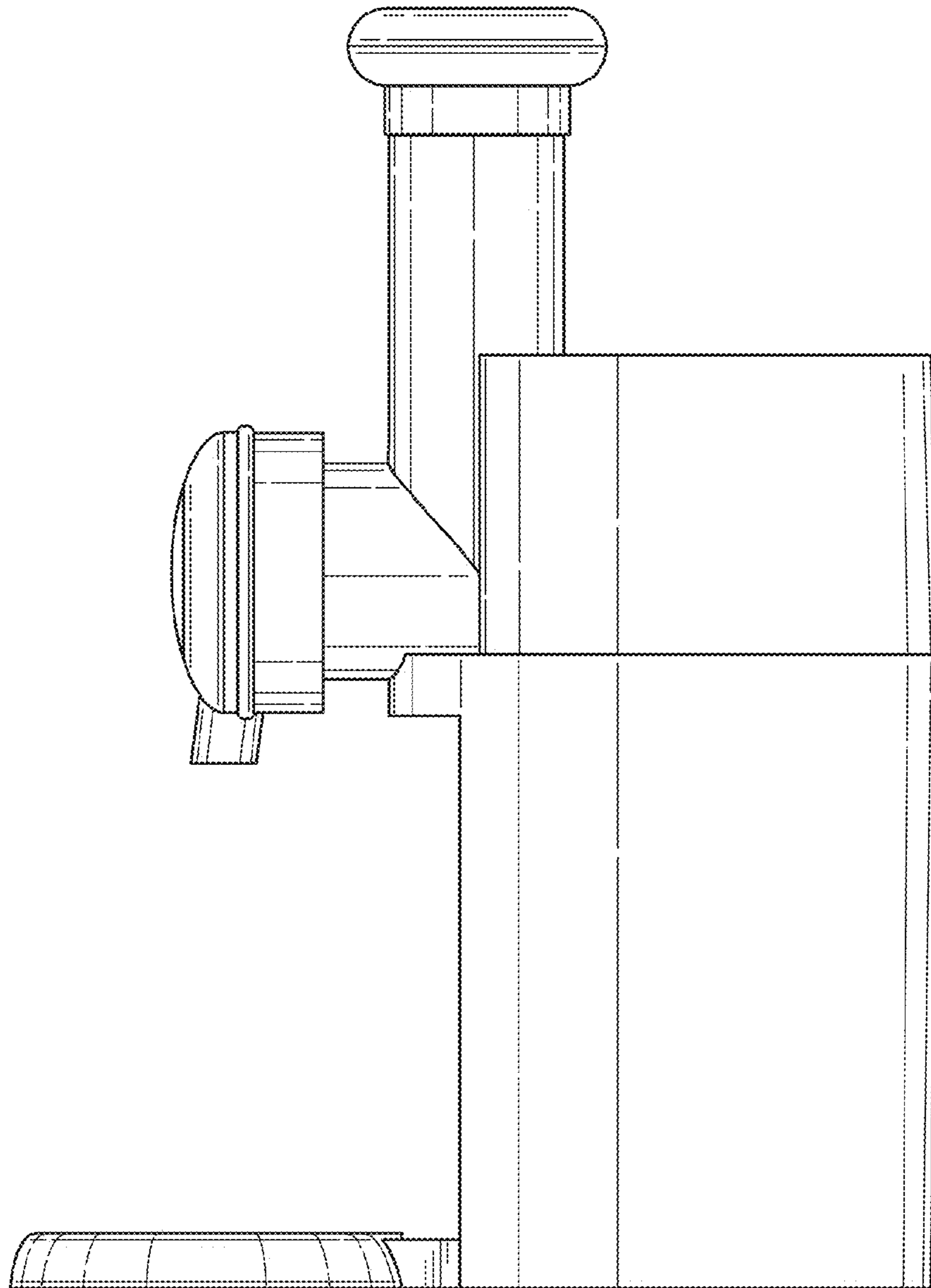


FIG. 5

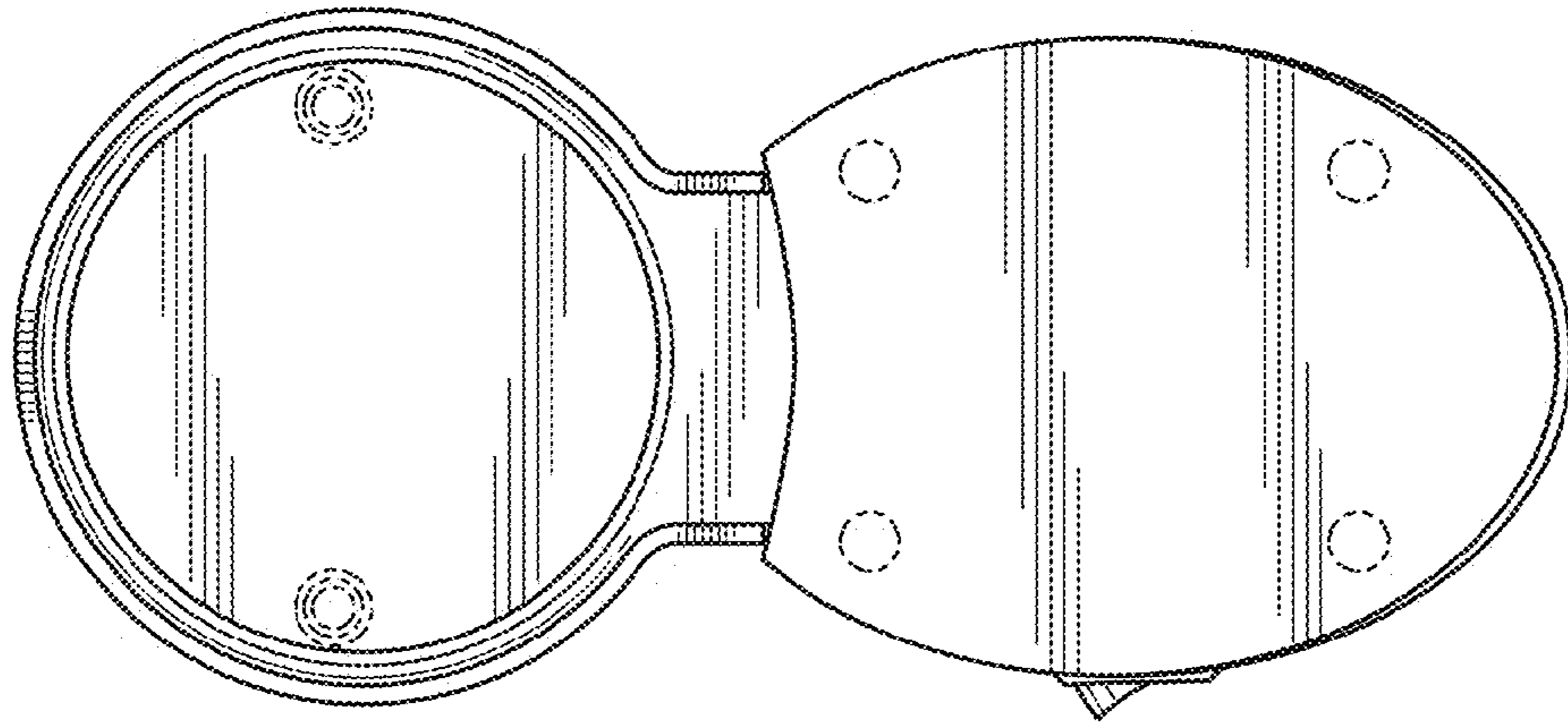


FIG. 7

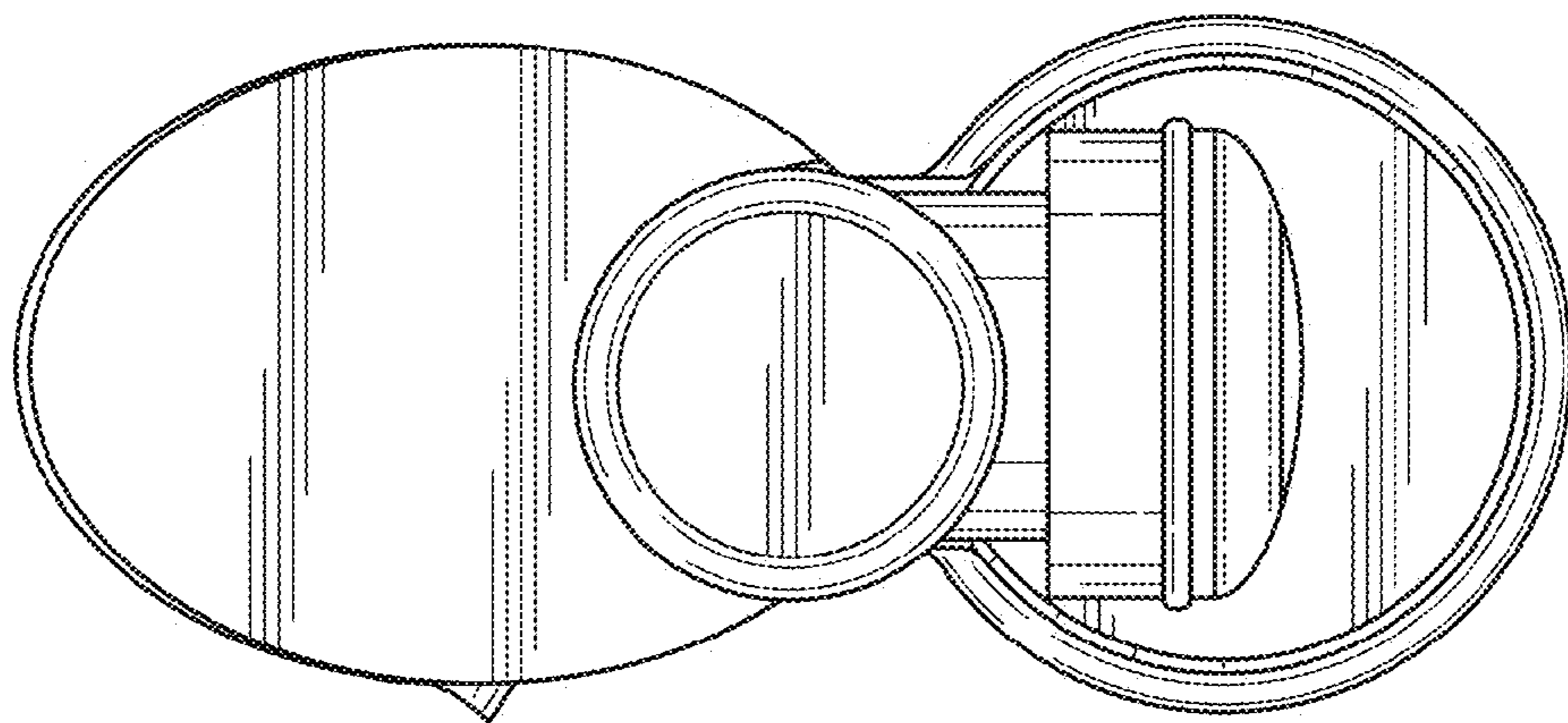


FIG. 6

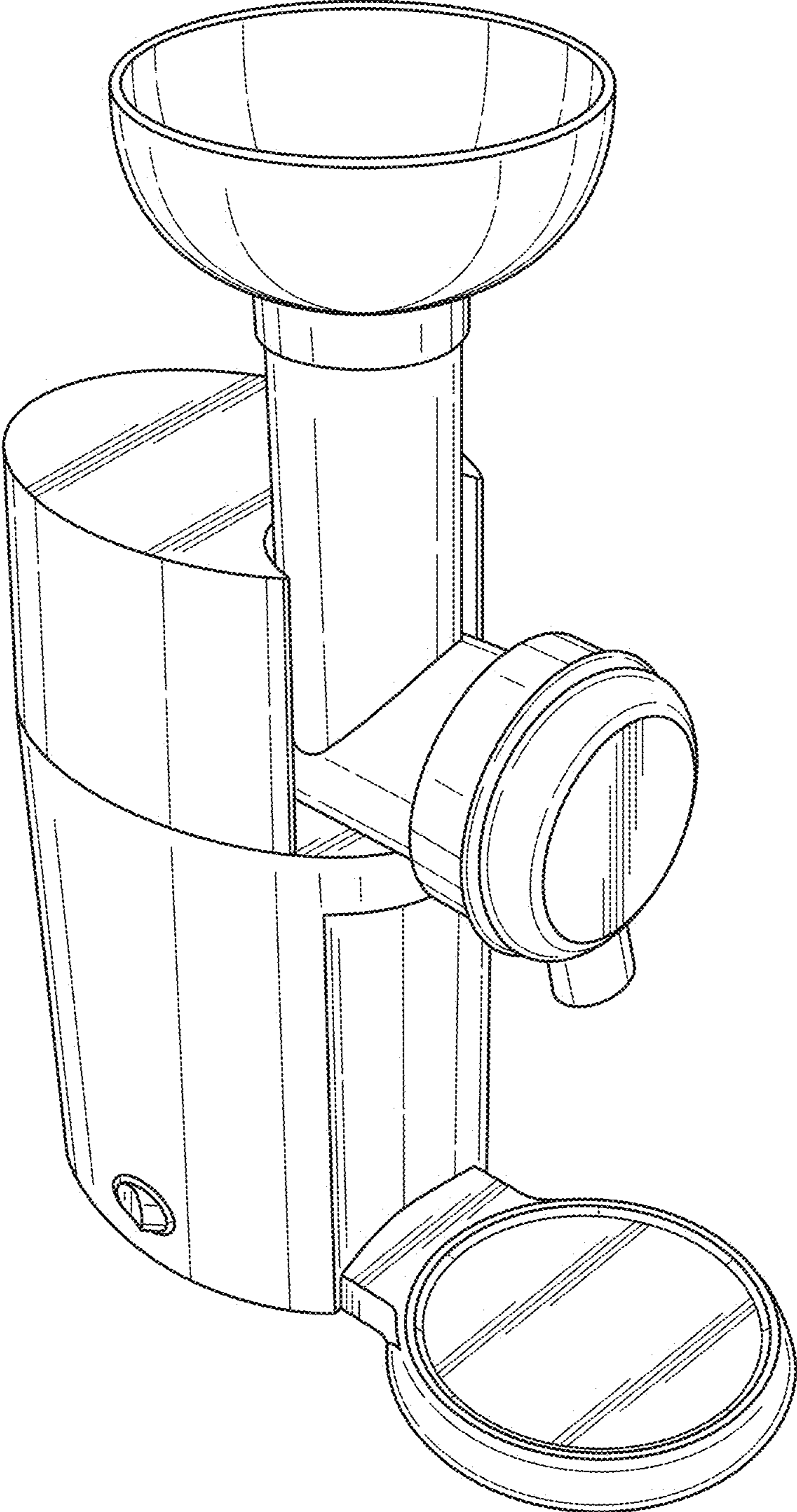


FIG. 8

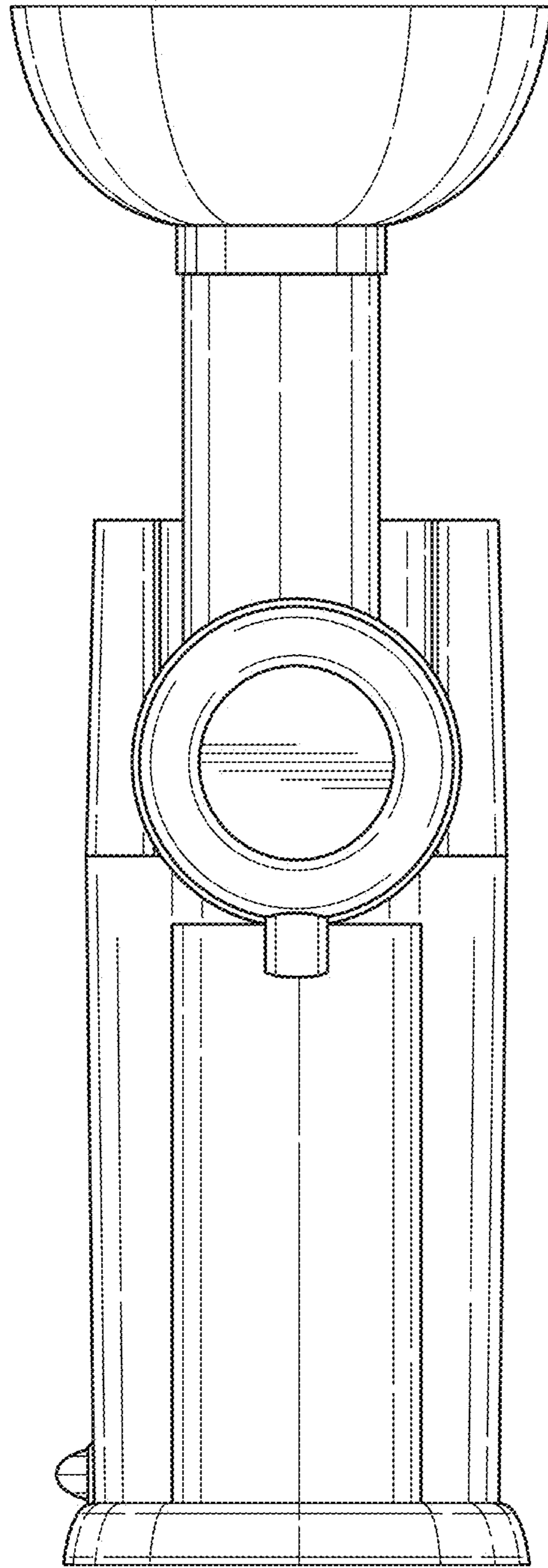


FIG. 9

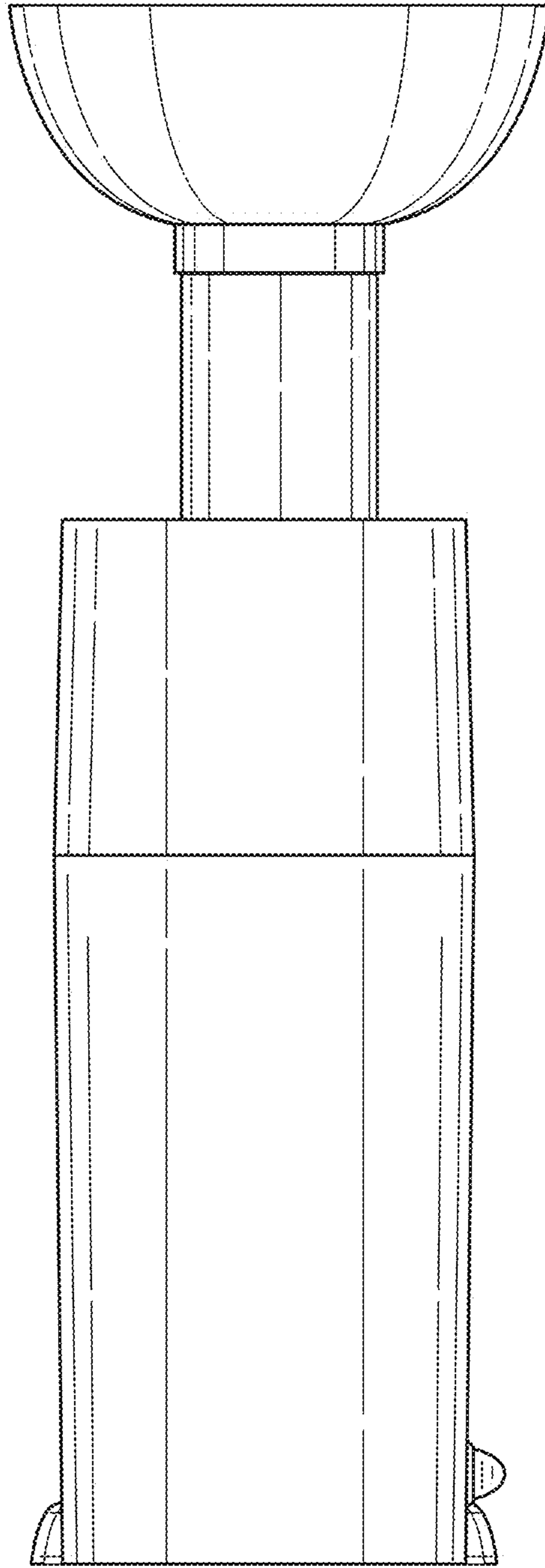


FIG. 10

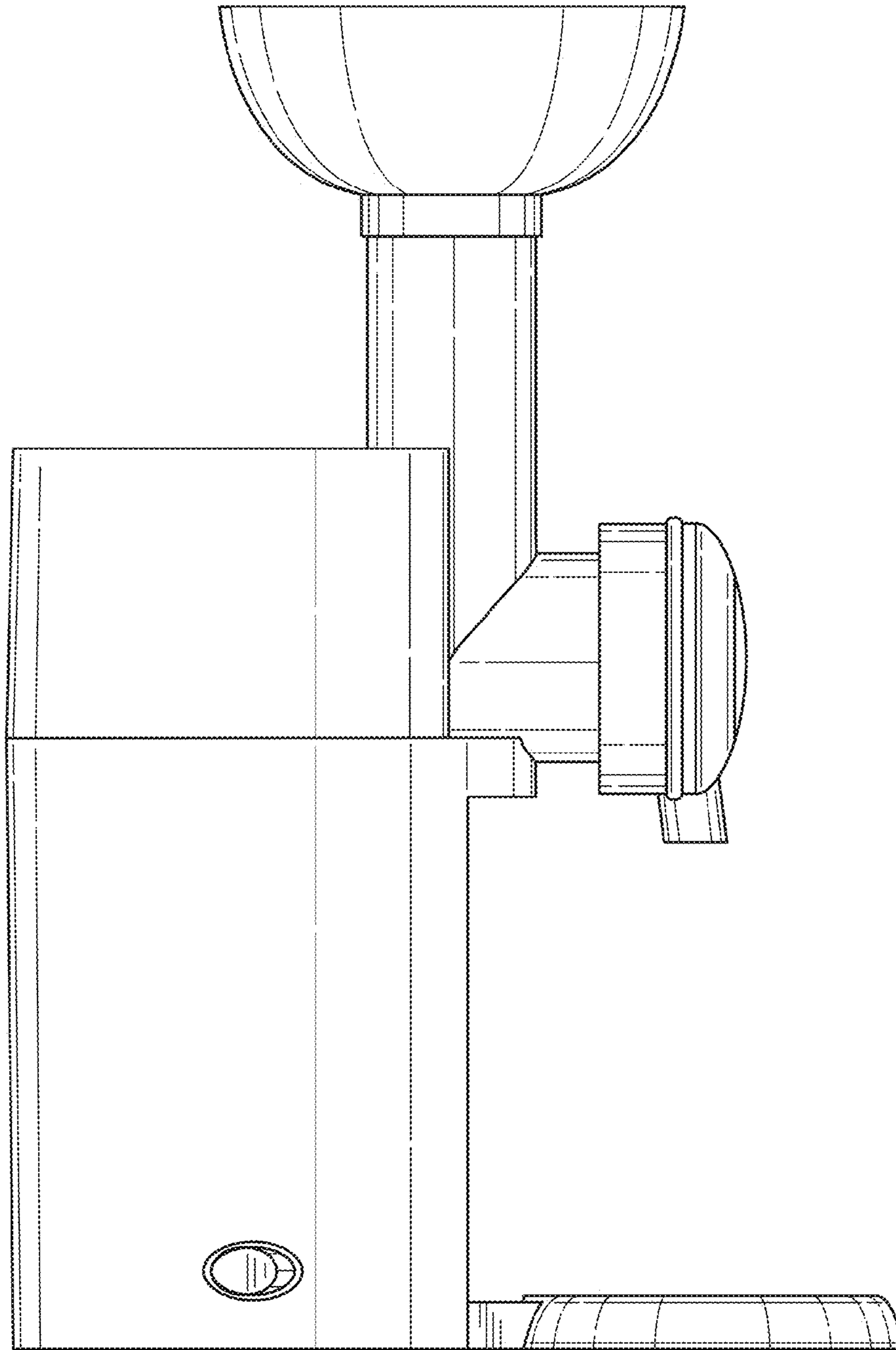


FIG. 11

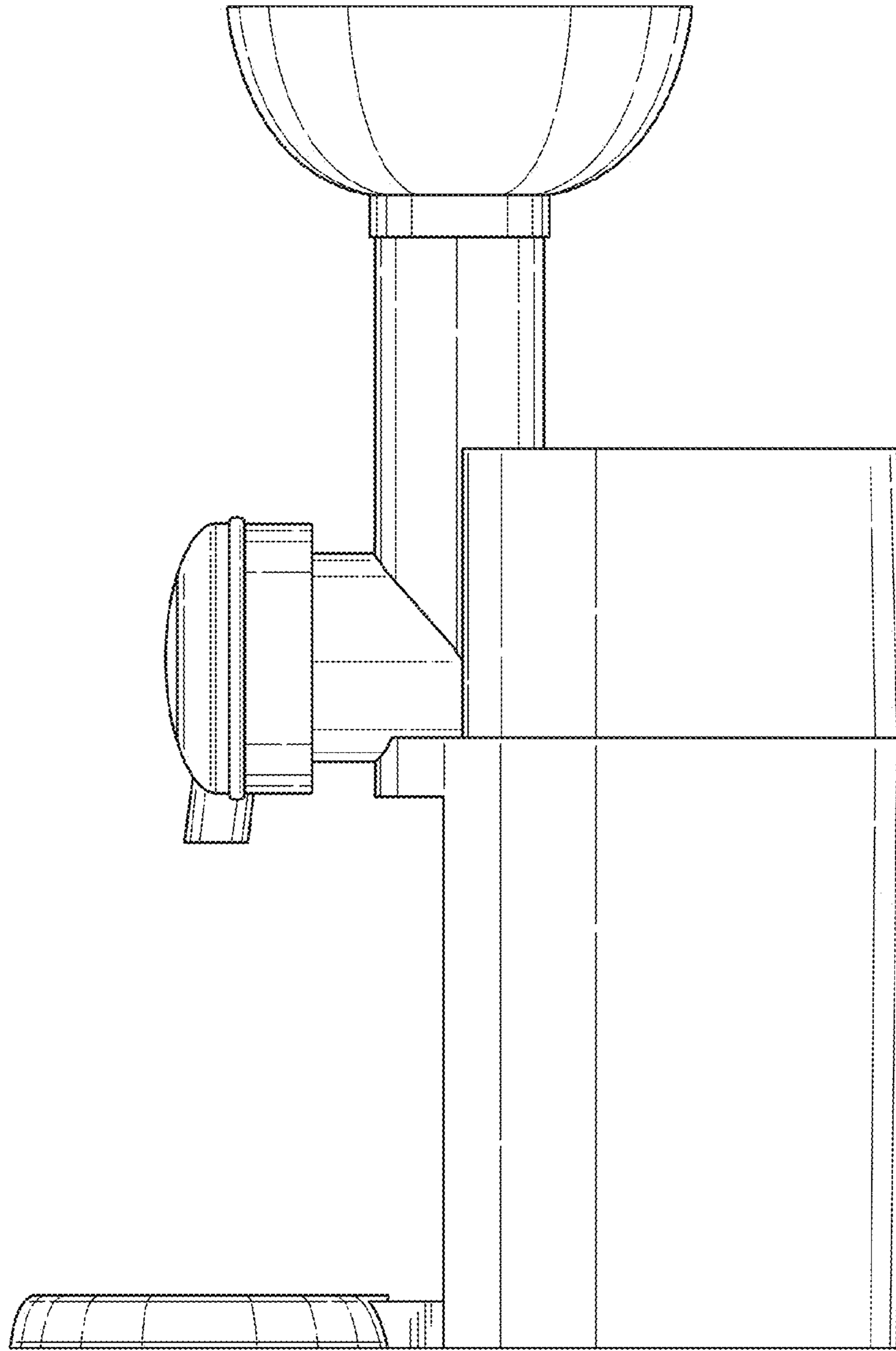


FIG. 12

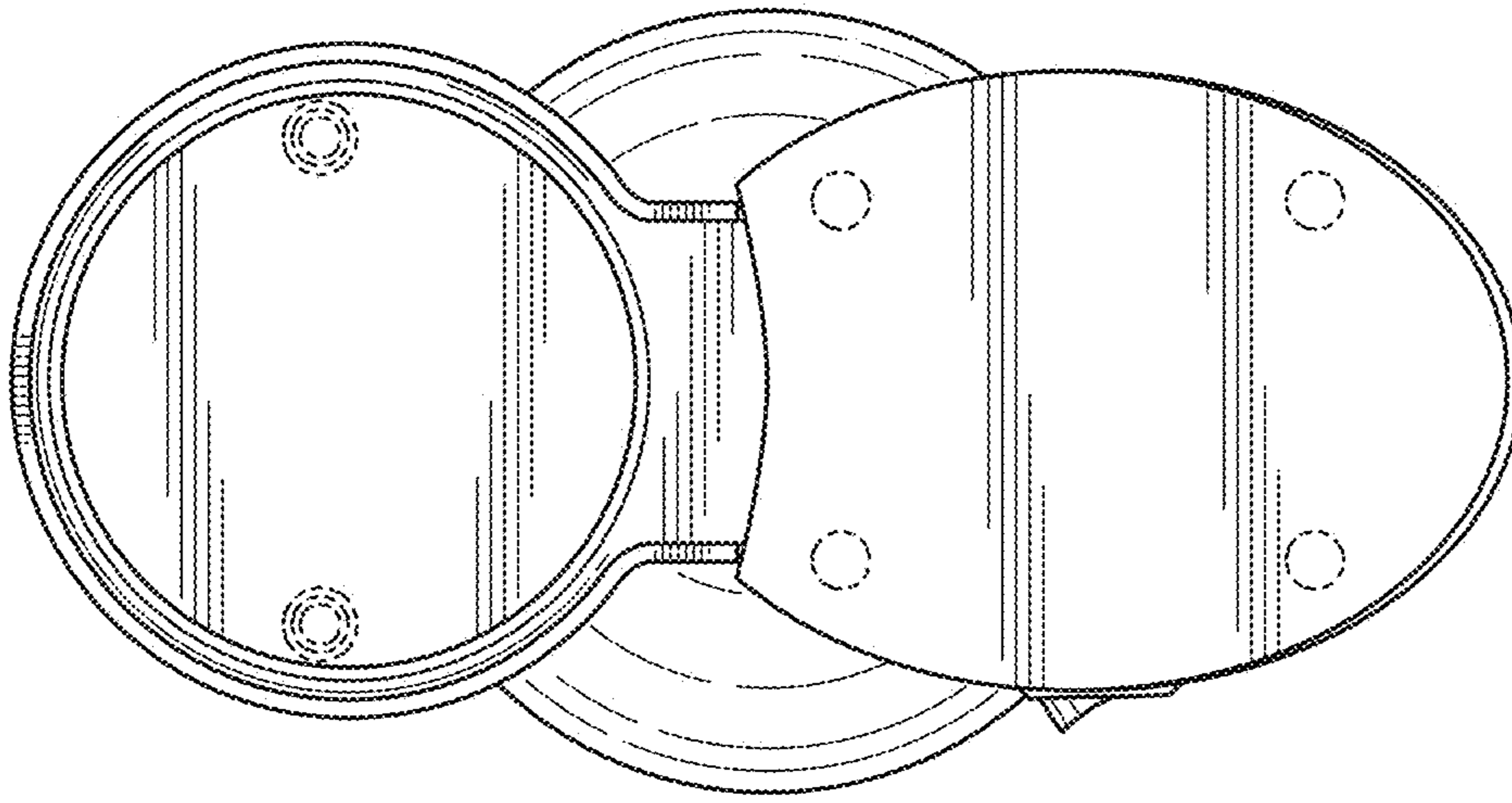


FIG. 14

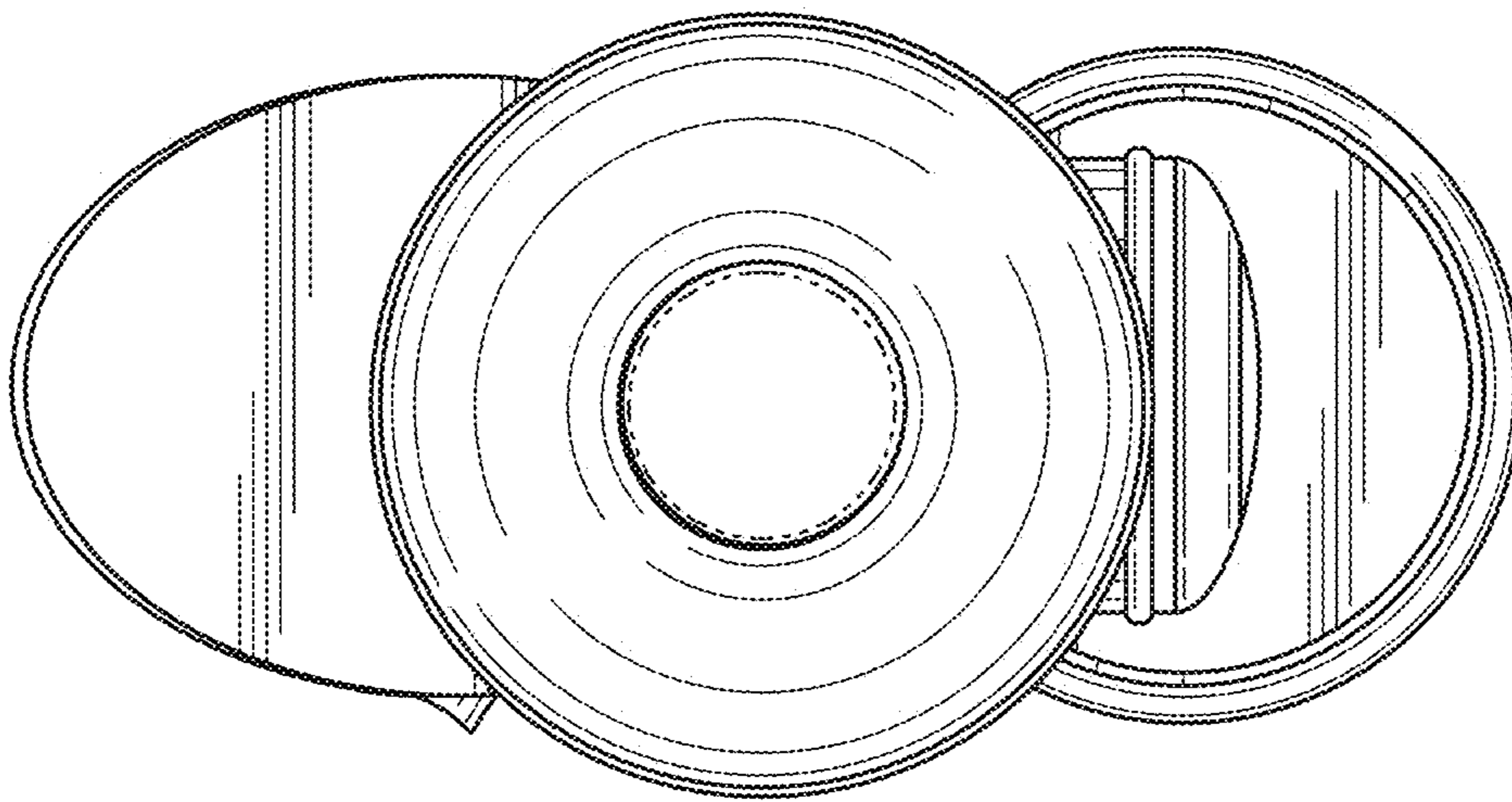


FIG. 13