



US00D704983S

(12) **United States Design Patent**
Yoon et al.

(10) **Patent No.:** **US D704,983 S**

(45) **Date of Patent:** **** May 20, 2014**

(54) **MICROWAVE OVEN**

(71) Applicant: **Samsung Electronics Co., Ltd.**,
Suwon-si (KR)

(72) Inventors: **Oh Byung Yoon**, Seoul (KR); **Kim Jaejun**, Seoul (KR); **Kim Tai Kyung**, Seoul (KR)

(73) Assignee: **Samsung Electronics Co., Ltd.**,
Suwon-si (KR)

(**) Term: **14 Years**

(21) Appl. No.: **29/443,450**

(22) Filed: **Jan. 17, 2013**

(30) **Foreign Application Priority Data**

Aug. 28, 2012 (KR) 30-2012-0041322

(51) **LOC (10) Cl.** **15-05**

(52) **U.S. Cl.**
USPC **D7/351**

(58) **Field of Classification Search**
USPC D7/350.1, 350.3, 350.4, 351, 402, 405,
D7/406; 219/756-758; 126/19 M, 21 A,
126/275 E
See application file for complete search history.

(56) **References Cited**

U.S. PATENT DOCUMENTS

D294,108 S * 2/1988 Choi D7/351
D329,353 S * 9/1992 Yamada D7/351

D439,468 S * 3/2001 Kim D7/351
D442,820 S * 5/2001 Kim D7/351
D476,521 S * 7/2003 Fukuda et al. D7/351
D531,447 S * 11/2006 Lee et al. D7/350.4
D532,645 S * 11/2006 Lee D7/351
D540,105 S * 4/2007 Lee et al. D7/351
D545,611 S * 7/2007 Sakata D7/351
D586,173 S * 2/2009 Kim D7/351
D586,180 S * 2/2009 Pino et al. D7/405
D586,619 S * 2/2009 Pino et al. D7/405
D599,163 S * 9/2009 Oomae D7/351
D633,329 S * 3/2011 Baek et al. D7/351
D673,417 S * 1/2013 Lee D7/351
D673,418 S * 1/2013 Lee et al. D7/351
D690,158 S * 9/2013 Baek et al. D7/405

* cited by examiner

Primary Examiner — Ruth McInroy

(74) *Attorney, Agent, or Firm* — Ladas & Parry LLP

(57) **CLAIM**

We claim the ornamental design for a microwave oven, as shown and described.

DESCRIPTION

FIG. 1 is a top, front and right-side perspective view of a microwave oven showing our new design; FIG. 2 is a front elevational view thereof; FIG. 3 is a rear elevational view thereof; FIG. 4 is a left-side elevational view thereof; FIG. 5 is a right-side elevational view thereof; FIG. 6 is a top plan view thereof; and, FIG. 7 is a bottom plan view thereof.

The details shown in broken lines form no part of the claimed design.

1 Claim, 5 Drawing Sheets

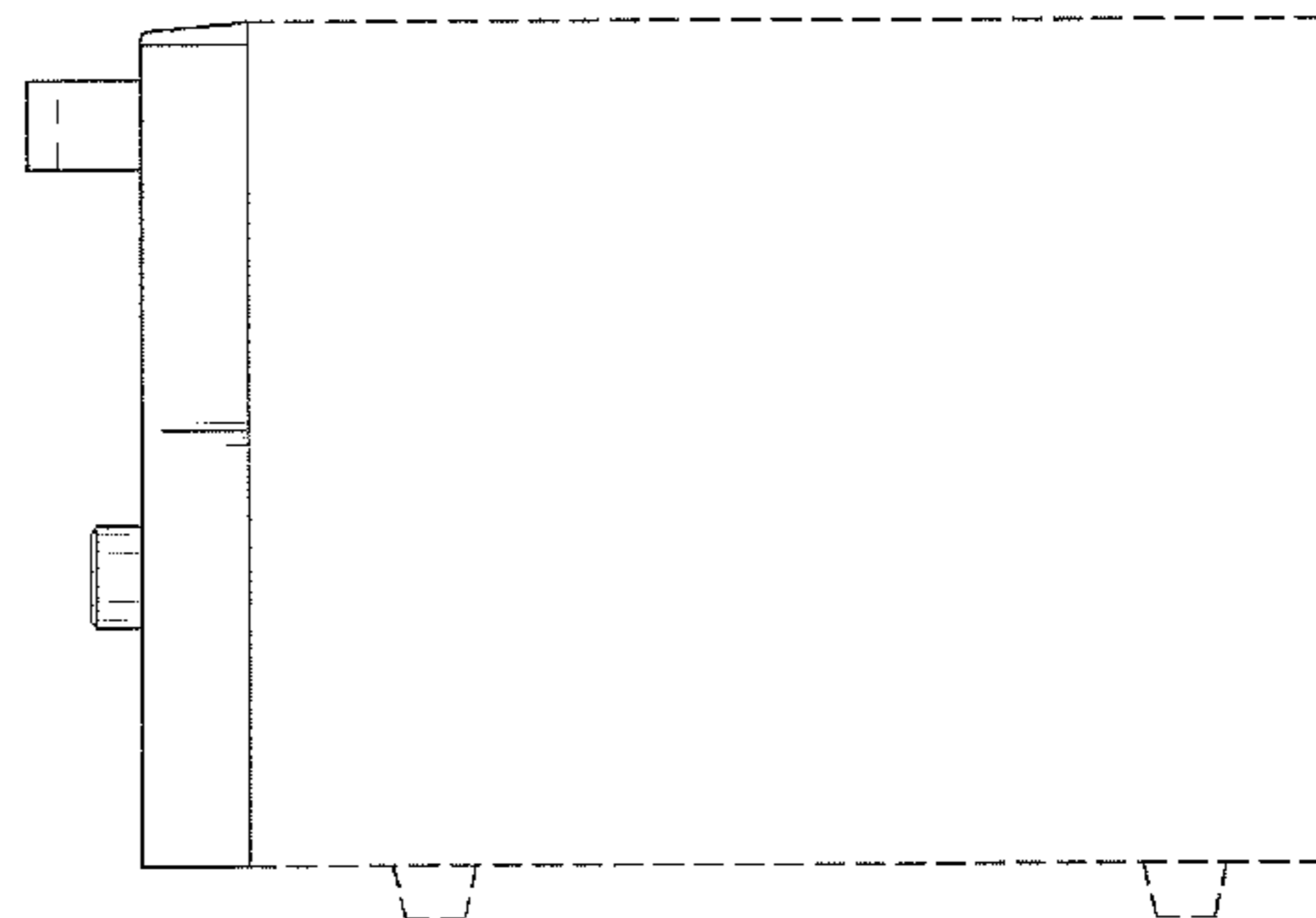
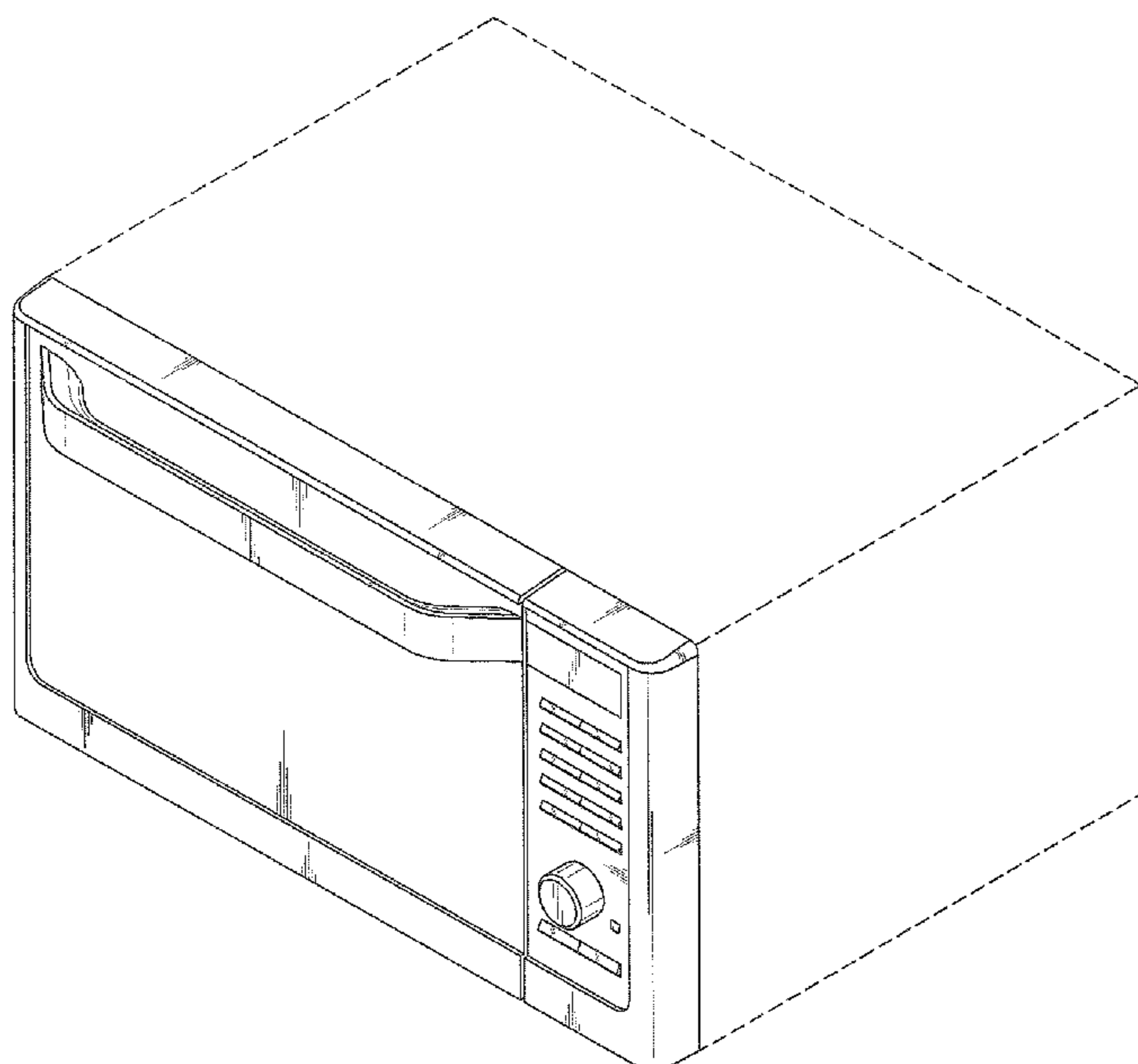


FIG.1

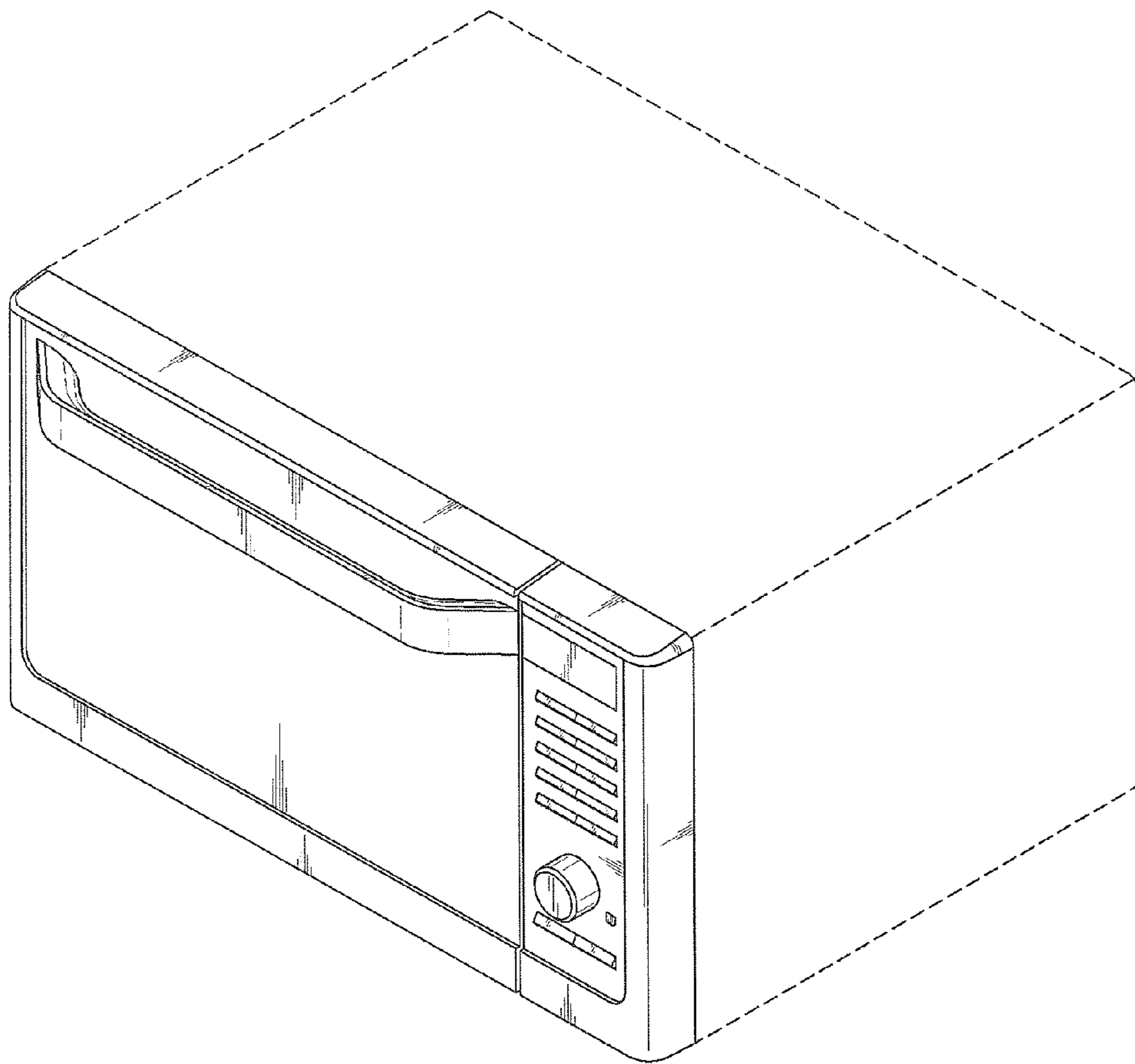


FIG.2

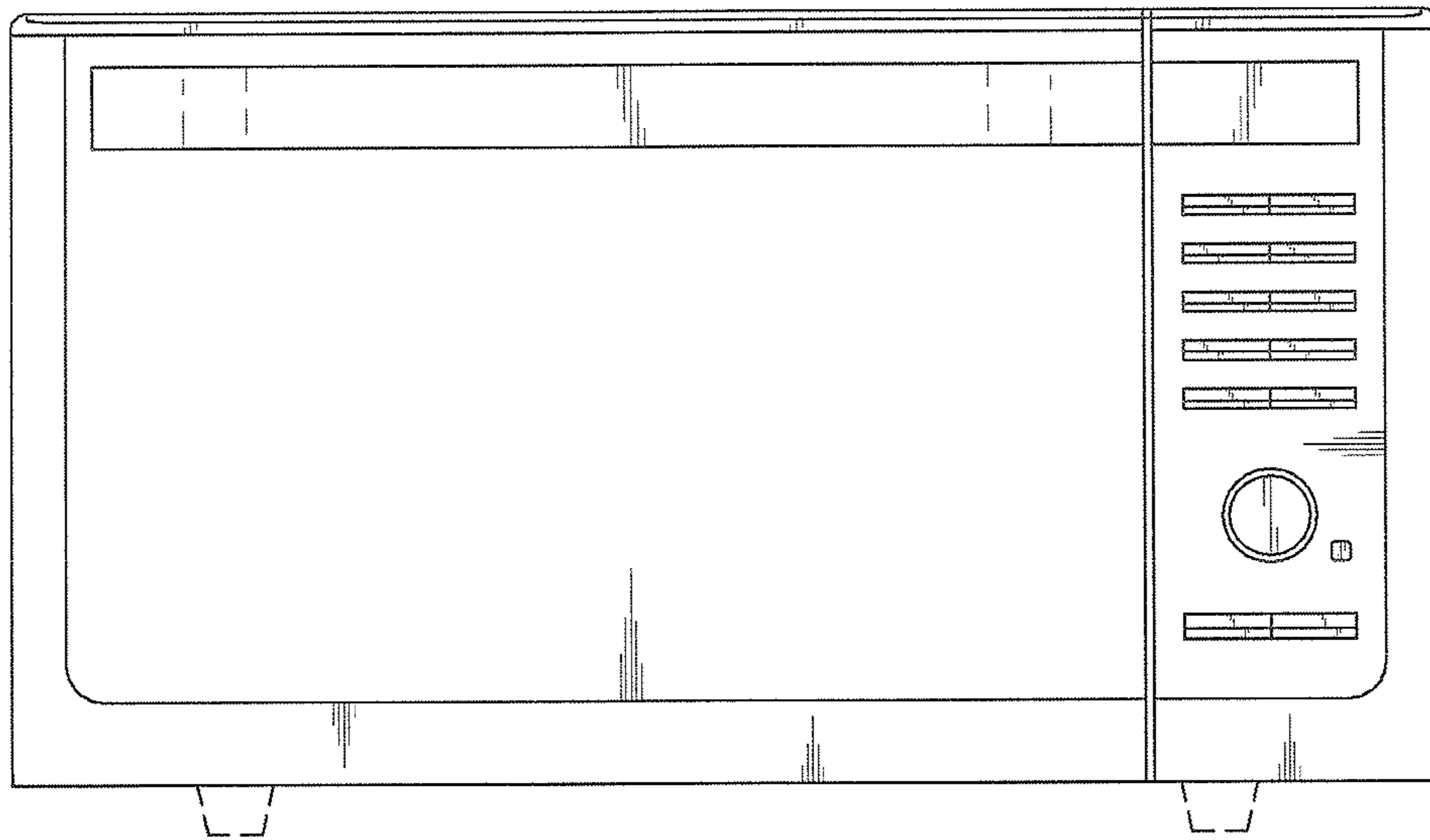


FIG.3

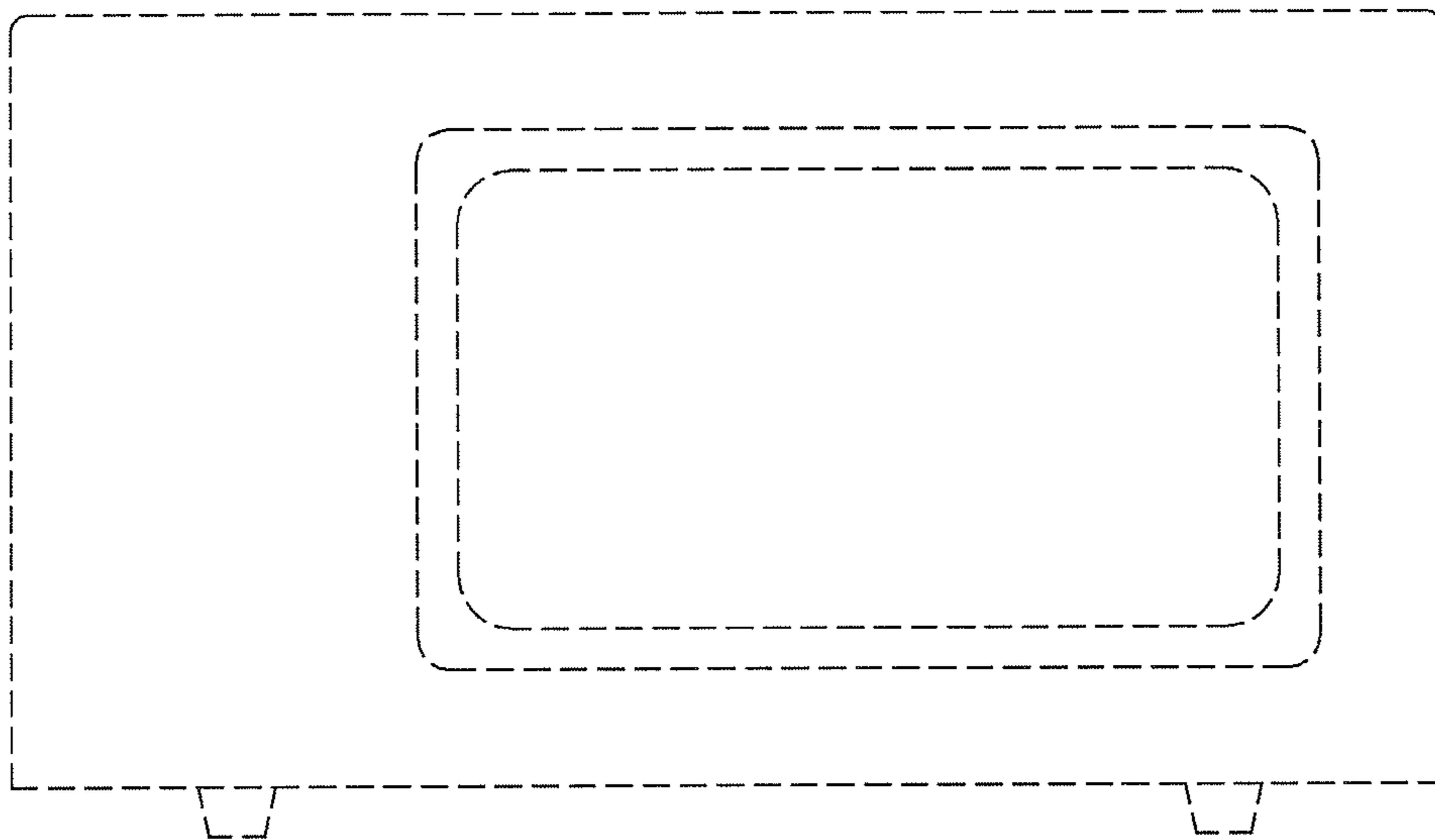


FIG.4

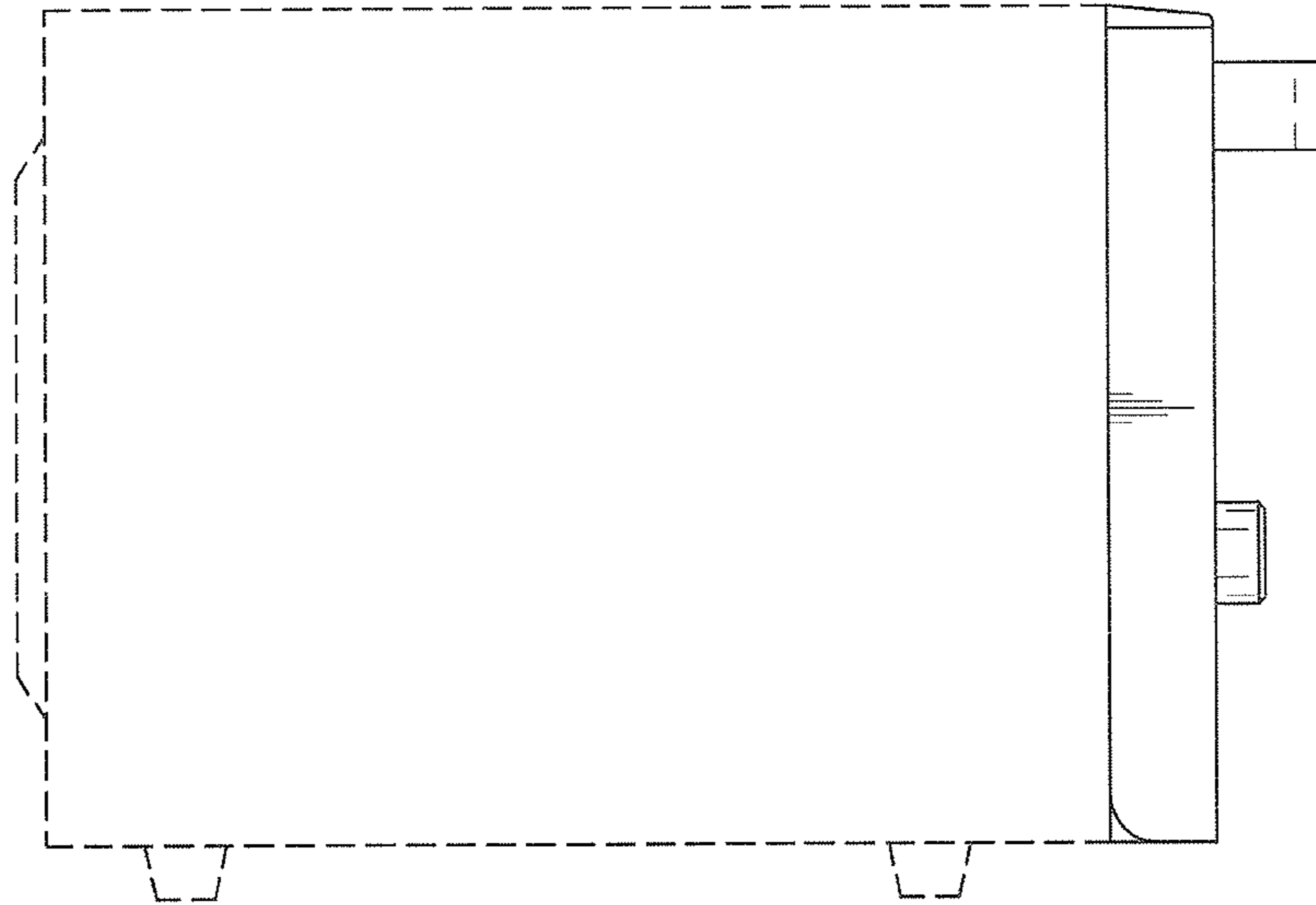


FIG.5

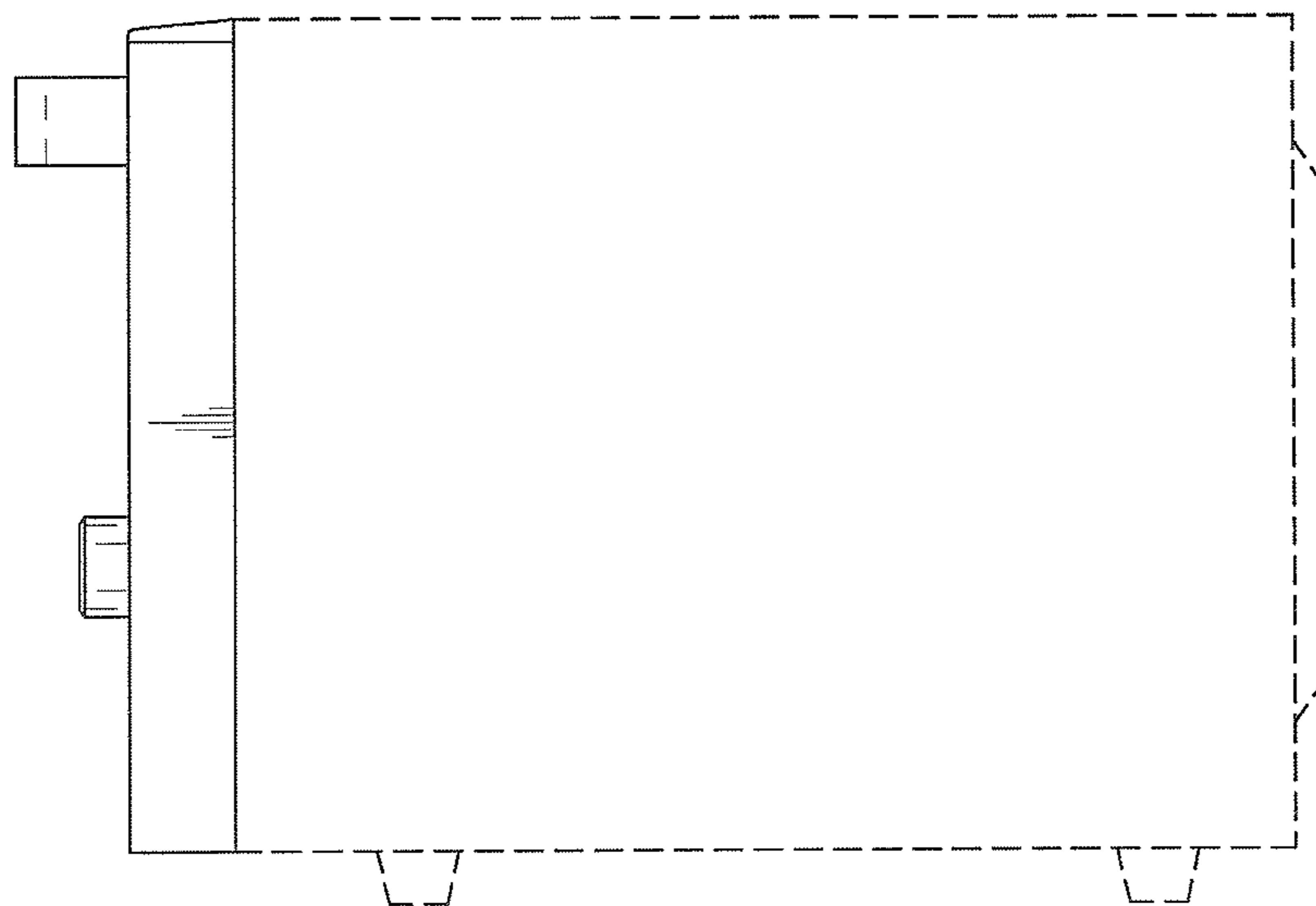


FIG.6

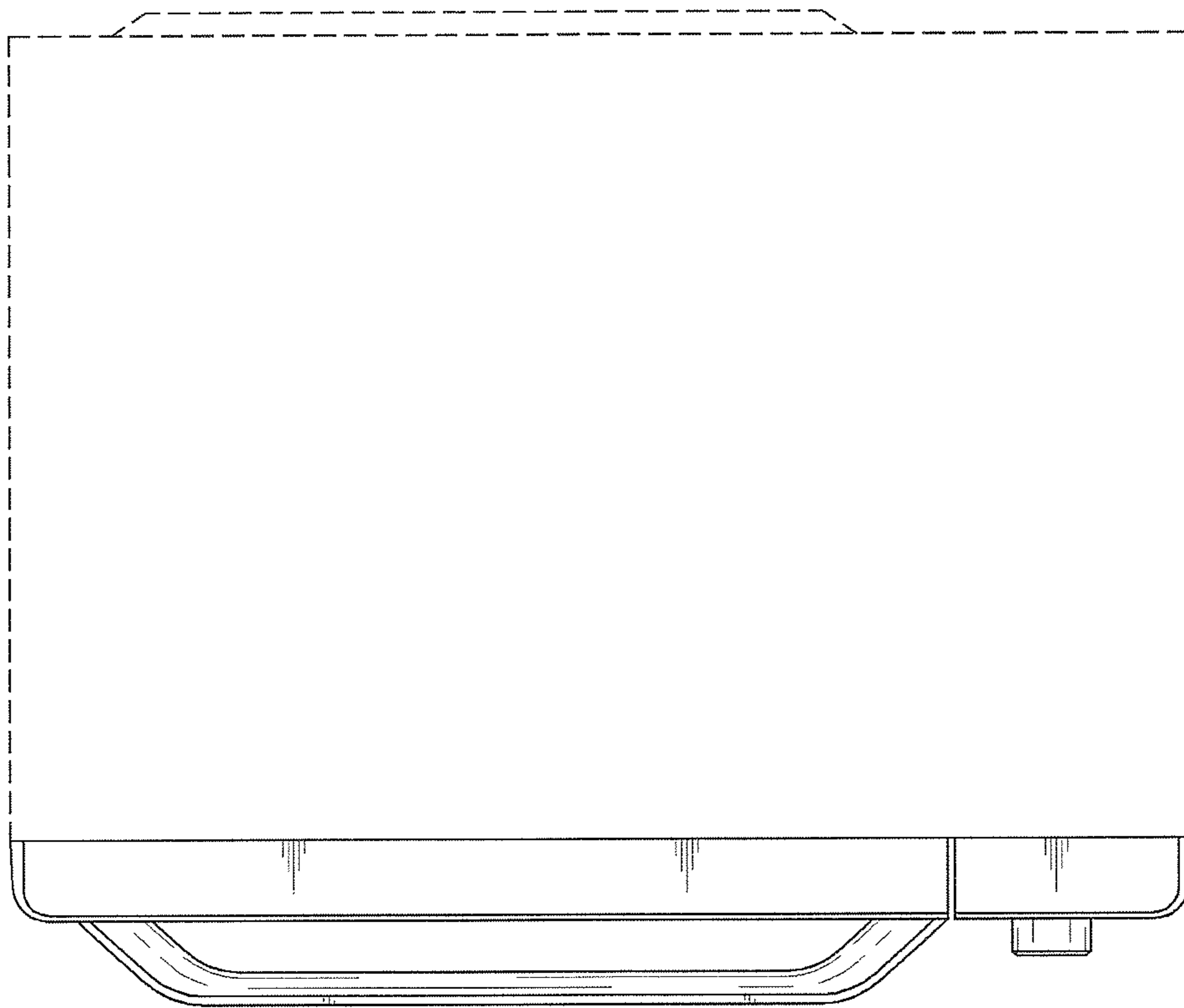


FIG.7

