



US00D704982S

(12) **United States Design Patent**
Gates

(10) **Patent No.:** **US D704,982 S**

(45) **Date of Patent:** **** May 20, 2014**

- (54) **DOUBLE GLASS DOOR SMOKER**
- (75) Inventor: **Edward A. Gates**, Lafayette, LA (US)
- (73) Assignee: **Bruce Foods Corporation**, Saint Martinville, LA (US)
- (**) Term: **14 Years**
- (21) Appl. No.: **29/419,581**
- (22) Filed: **Apr. 30, 2012**
- (51) **LOC (10) Cl.** **07-02**
- (52) **U.S. Cl.**
USPC **D7/348**; D7/332; D7/339; D7/347
- (58) **Field of Classification Search**
USPC D7/323, 332, 333, 334-337, 339-349, D7/402, 403, 404, 408, 409; D15/79, 81, D15/84, 85, 88, 89, 91; 126/1 R, 9 A, 9 R, 126/25 A, 25 R, 275 R, 275 E, 58, 59.5, 283, 126/41 D, 41 R; 99/400, 481, 482, 467, 473, 99/331, 339, 351, 413, 340-344, 446, 99/421 H; 219/391-399, 401, 385, 386, 219/388, 400, 218; 426/235; 62/264, 252, 62/441
See application file for complete search history.

D273,298 S *	4/1984	Trulaske	D15/81
D366,049 S *	1/1996	Matthews	D15/85
5,937,666 A *	8/1999	Trulaske, Sr.	62/264
6,012,382 A	1/2000	McLemore et al.		
6,029,566 A	2/2000	McLemore et al.		
D512,081 S *	11/2005	Chang	D15/81
7,426,855 B2	9/2008	Aubele et al.		
7,703,389 B2	4/2010	McLemore et al.		
D615,798 S	5/2010	McLemore et al.		
D616,243 S	5/2010	McLemore et al.		
2008/0072770 A1 *	3/2008	Chiu	99/482
2009/0078127 A1 *	3/2009	McLemore et al.	99/482
2011/0038990 A1 *	2/2011	Hyun	426/235

* cited by examiner

Primary Examiner — Caron D Veynar

Assistant Examiner — Martie K Holtje

(74) *Attorney, Agent, or Firm* — Wiley Rein LLP

(57) **CLAIM**

The ornamental design for a double glass door smoker, as shown and described.

DESCRIPTION

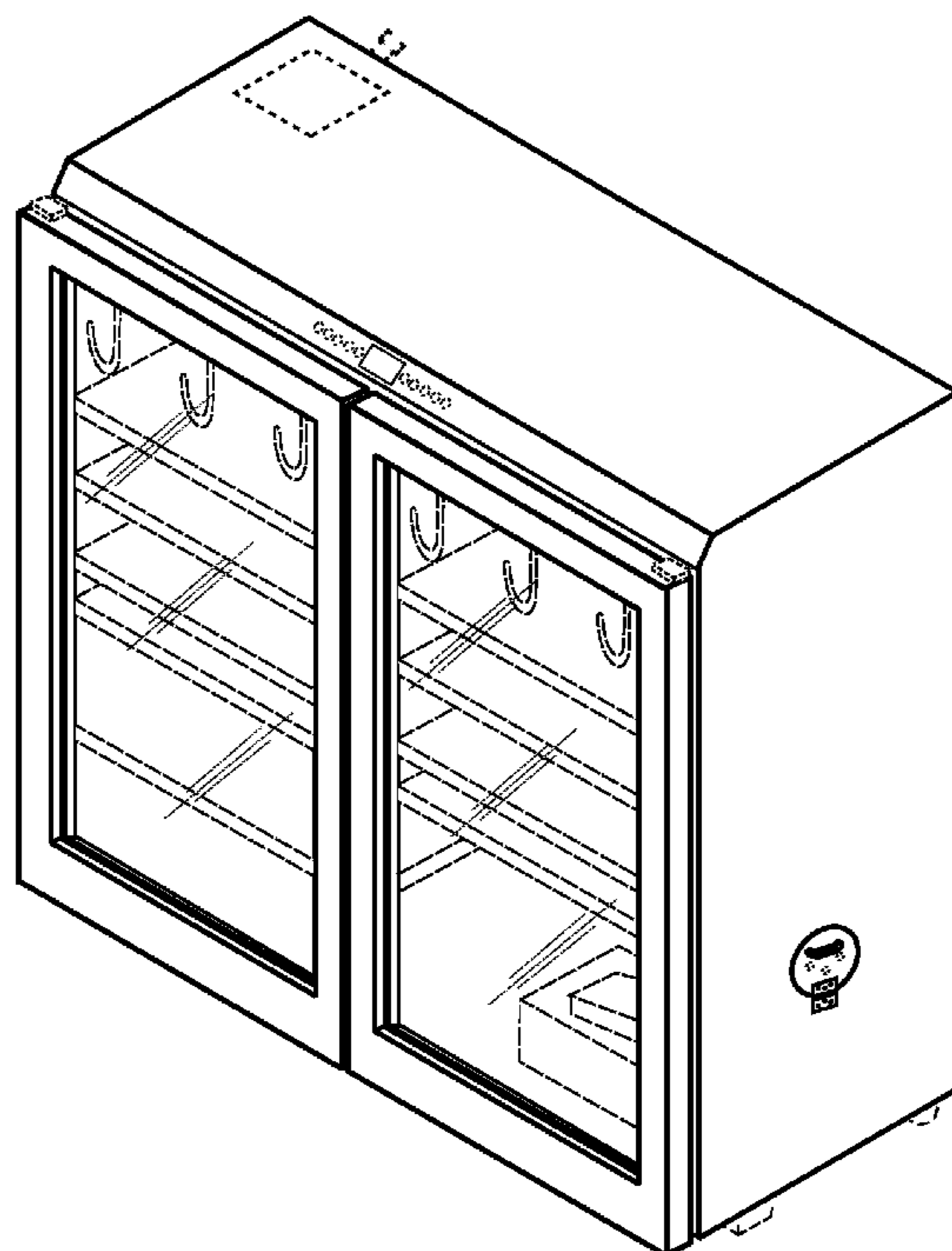
FIG. 1 is a top, right front perspective view of a smoker showing my new design;
 FIG. 2 is a front elevational view thereof;
 FIG. 3 is a left side elevational view thereof;
 FIG. 4 is a right side elevational view thereof; and,
 FIG. 5 is a top plan view thereof.
 The Broken lines included in the drawings depict elements that are not part of the claimed design. The bottom and rear surfaces of the double glass door smoker, not shown, form no part of the claimed design.

1 Claim, 5 Drawing Sheets

(56) **References Cited**

U.S. PATENT DOCUMENTS

2,722,882 A *	11/1955	Wilson	99/421 H
2,833,201 A *	5/1958	Simank	99/481
3,130,662 A *	4/1964	Robinson	99/352
4,127,765 A *	11/1978	Heaney	219/218
4,201,125 A *	5/1980	Ellis	99/446



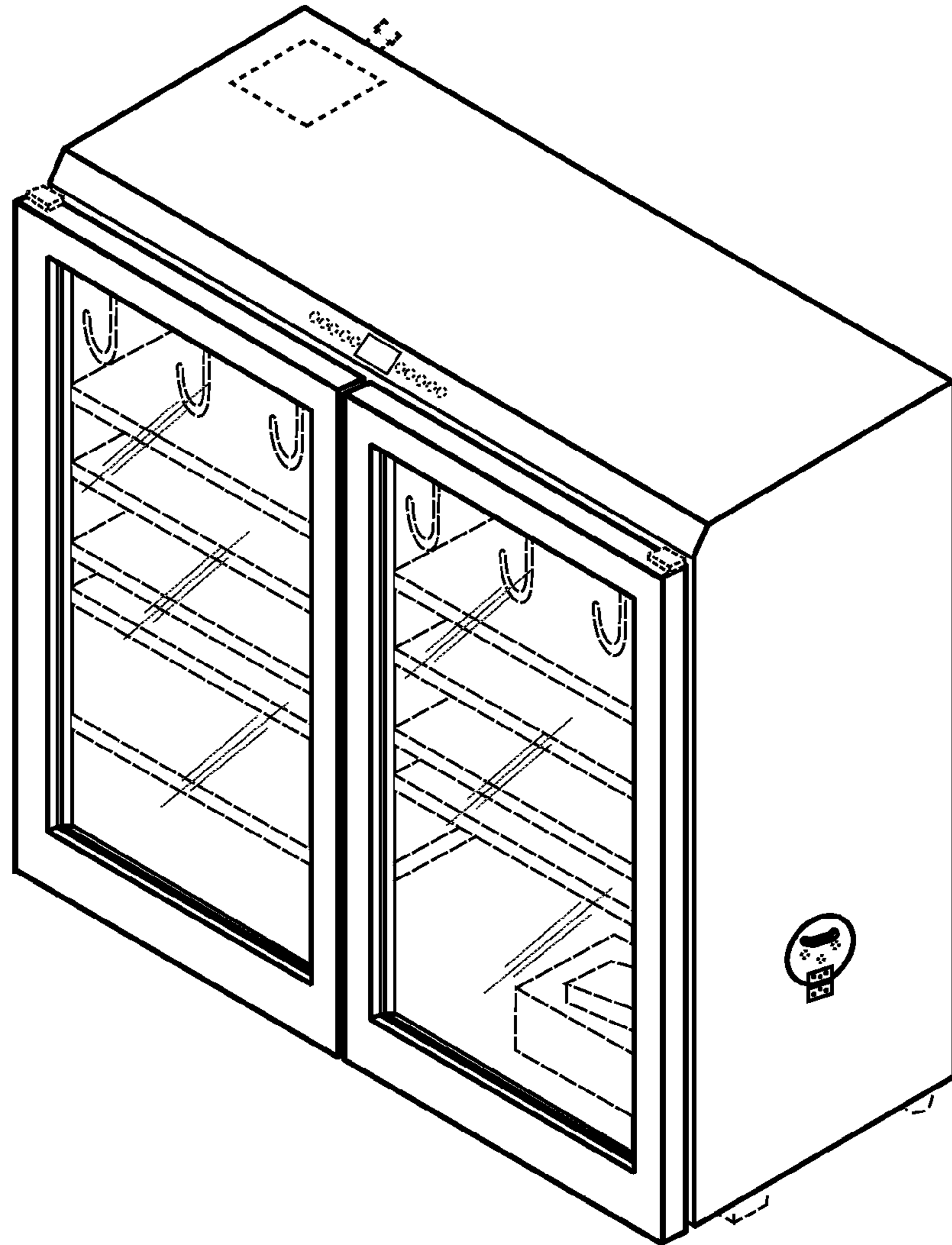


FIG. 1

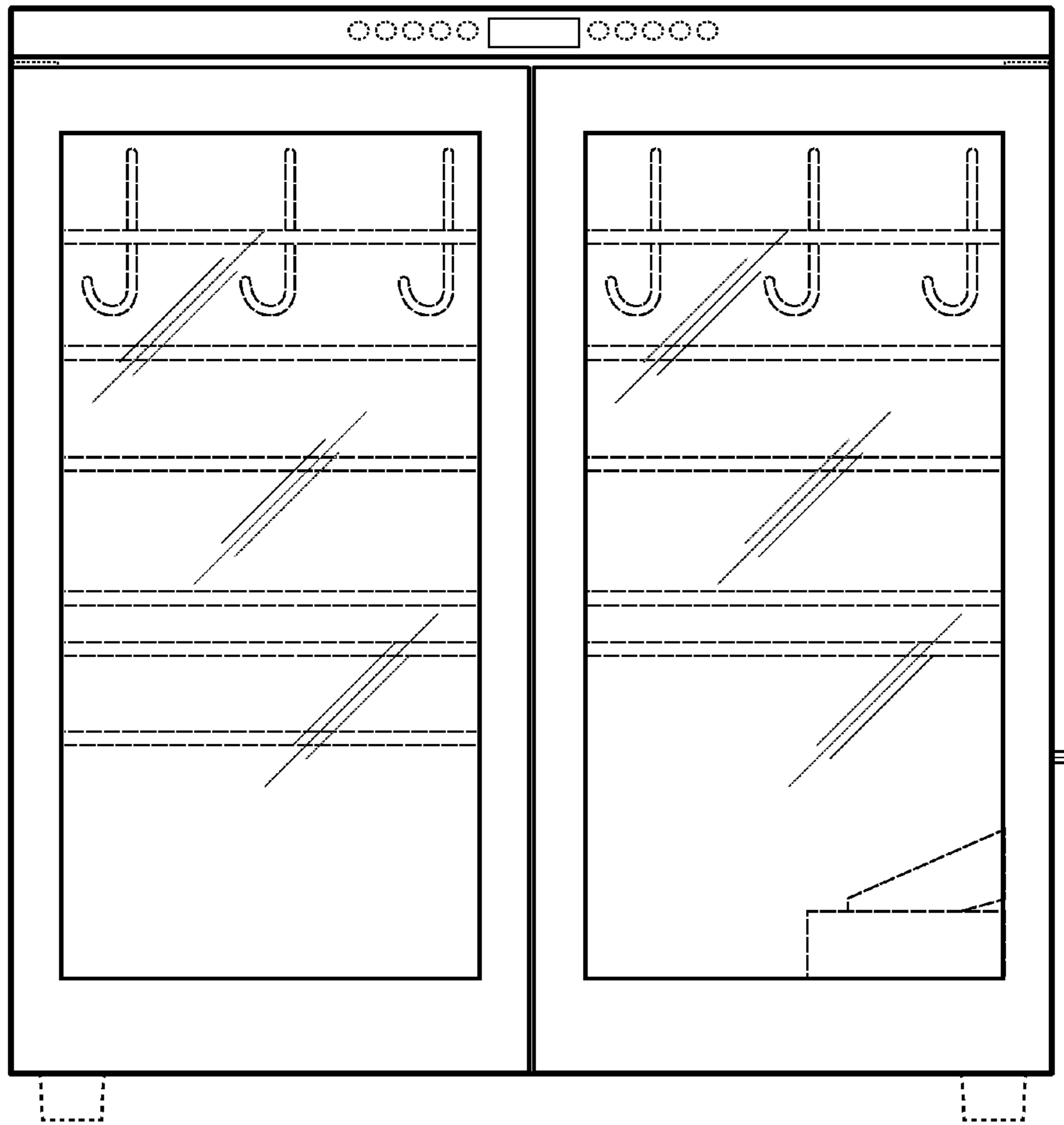


FIG. 2

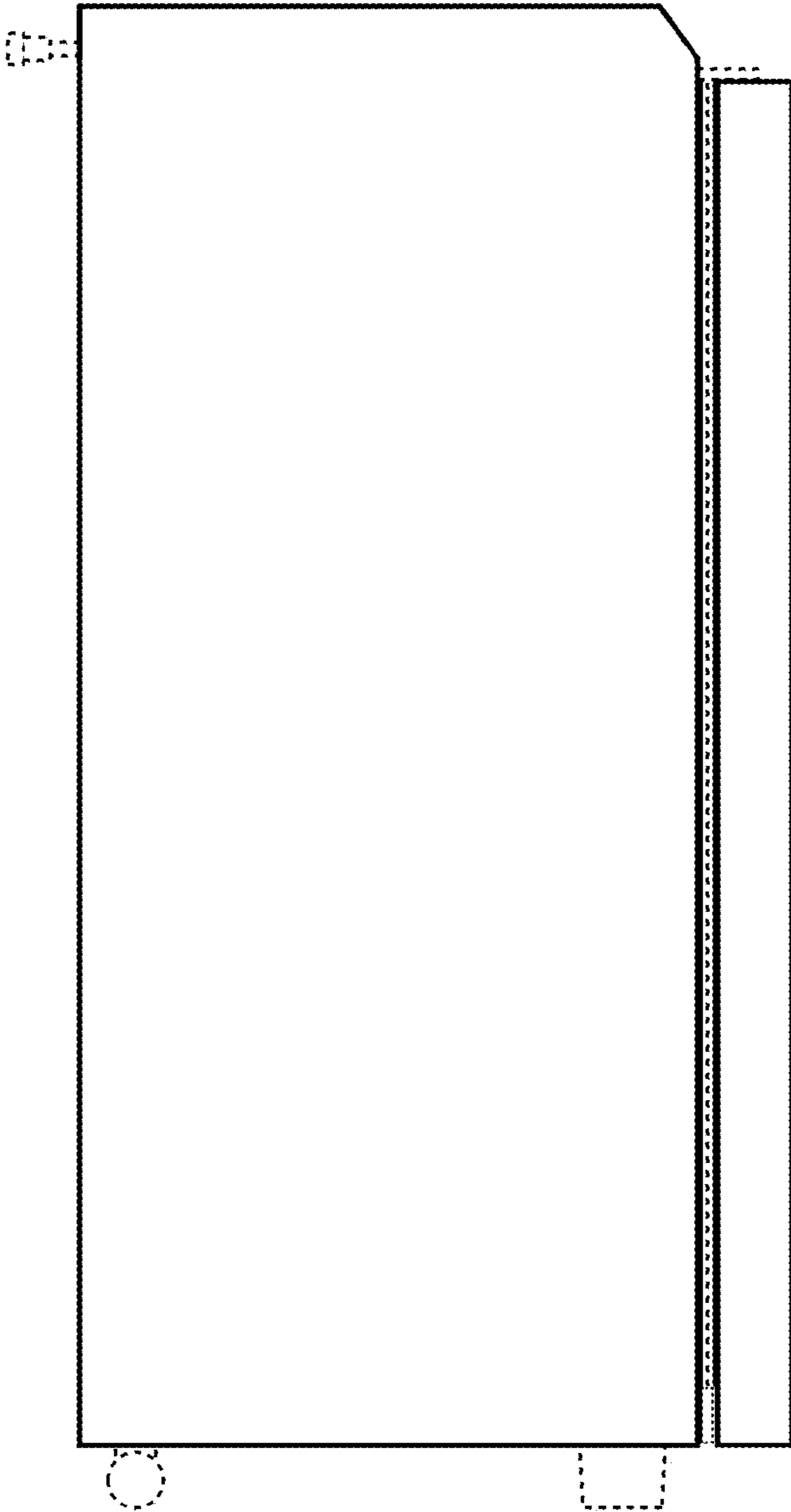


FIG. 3

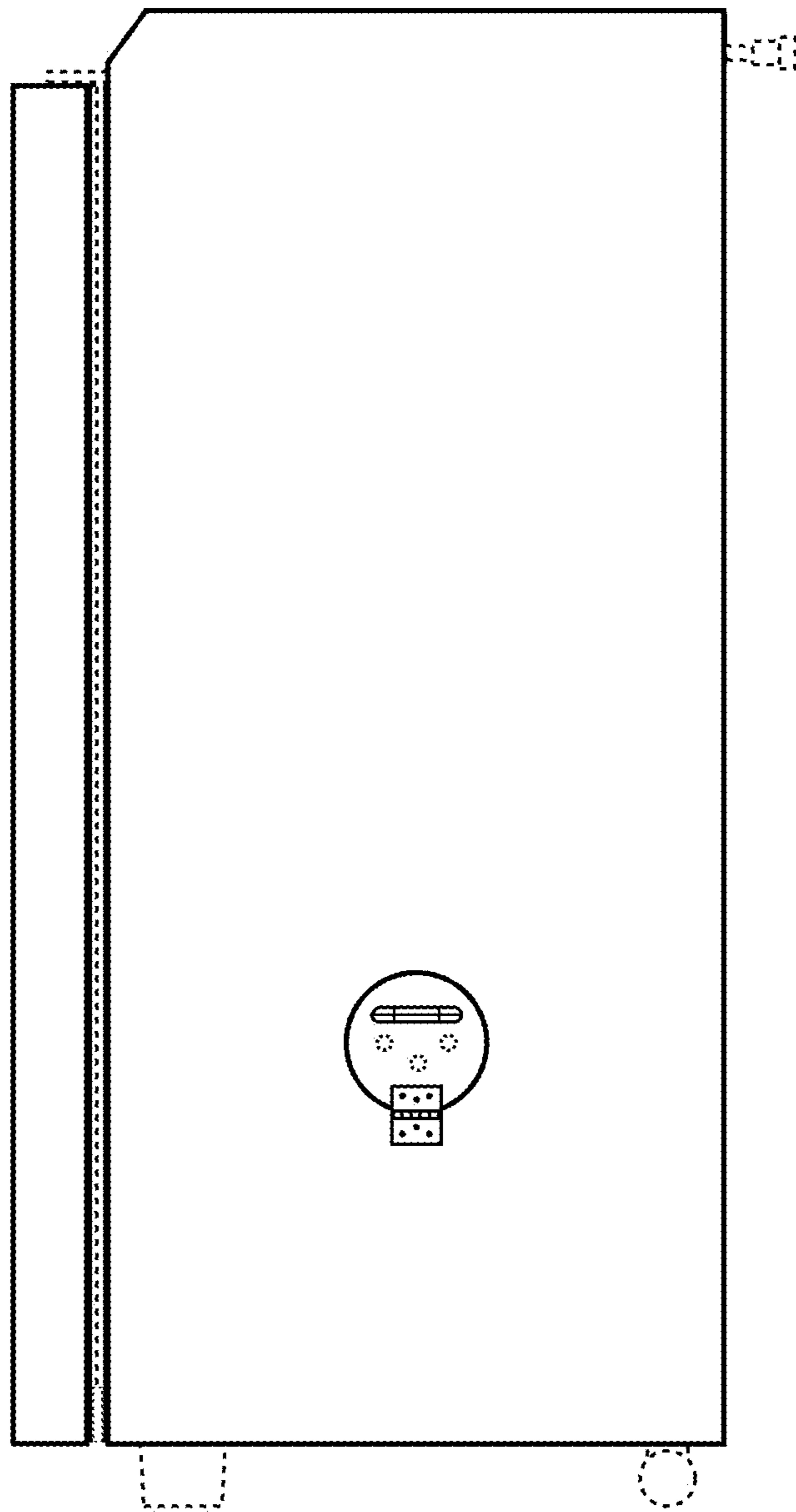


FIG. 4

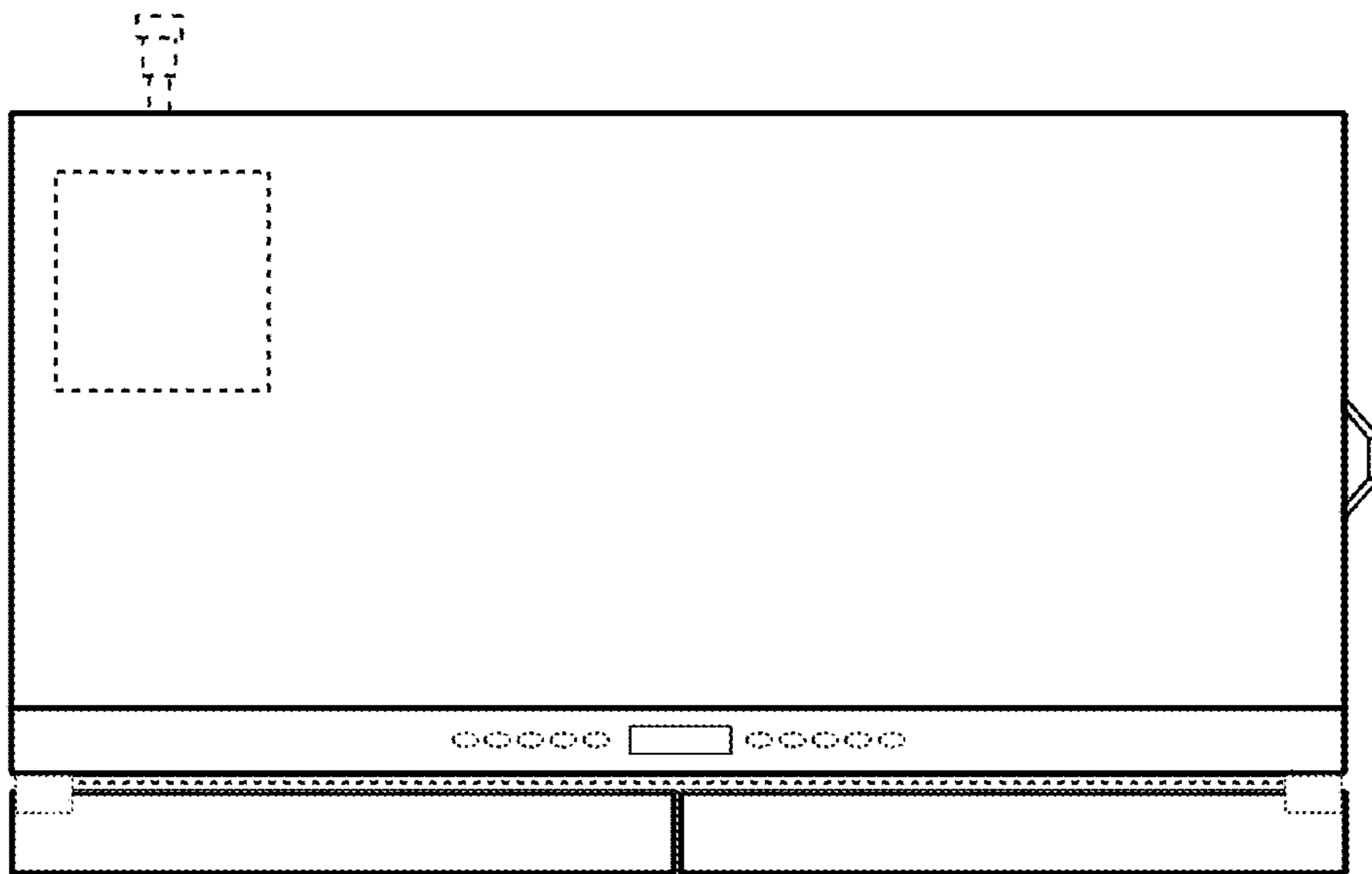


FIG. 5