



US00D704981S

(12) **United States Design Patent**
Gates

(10) **Patent No.:** **US D704,981 S**

(45) **Date of Patent:** **** May 20, 2014**

- (54) **GLASS DOOR SMOKER**
- (75) Inventor: **Edward A. Gates**, Lafayette, LA (US)
- (73) Assignee: **Bruce Foods Corporation**, Saint Martinville, LA (US)
- (**) Term: **14 Years**
- (21) Appl. No.: **29/419,571**
- (22) Filed: **Apr. 30, 2012**
- (51) **LOC (10) Cl.** **07-02**
- (52) **U.S. Cl.**
USPC **D7/348; D7/332; D7/339; D7/347**
- (58) **Field of Classification Search**
USPC D7/323, 332, 333, 334-337, 339-349, D7/402, 403, 404, 408, 409; D15/79, 81, D15/84, 85, 88, 89, 91; 126/9 A, 9 R, 25 A, 126/25 R, 275 R, 275 E, 59.5, 58, 283, 41 D, 126/41 R; 99/400, 481, 482, 467, 473, 331, 99/339, 351, 413, 340-344, 446, 421 H; 219/391-399, 401, 385, 386, 388, 400; 426/235; 62/252, 264, 441
See application file for complete search history.

4,643,162	A *	2/1987	Collins	126/41 R
6,012,382	A	1/2000	McLemore et al.		
6,029,566	A	2/2000	McLemore et al.		
6,899,020	B1 *	5/2005	Clark	99/482
D512,081	S *	11/2005	Chang	D15/81
D550,256	S *	9/2007	Lei et al.	D15/81
7,426,885	B2	9/2008	McLemore et al.		
D604,340	S *	11/2009	Kim et al.	D15/81
7,703,389	B2	4/2010	McLemore et al.		
D615,798	S	5/2010	McLemore et al.		
D616,243	S	5/2010	McLemore et al.		
D639,827	S *	6/2011	Chen et al.	D15/81
D657,185	S *	4/2012	Segato	D7/348
2008/0047209	A1 *	2/2008	Hinterholzer et al.	52/208
2009/0078127	A1 *	3/2009	McLemore et al.	99/482
2011/0038990	A1 *	2/2011	Hyun	426/235

* cited by examiner

Primary Examiner — Caron D Veynar

Assistant Examiner — Martie K Holtje

(74) *Attorney, Agent, or Firm* — Wiley Rein LLP

(57) **CLAIM**

The ornamental design for a glass door smoker, as shown and described.

DESCRIPTION

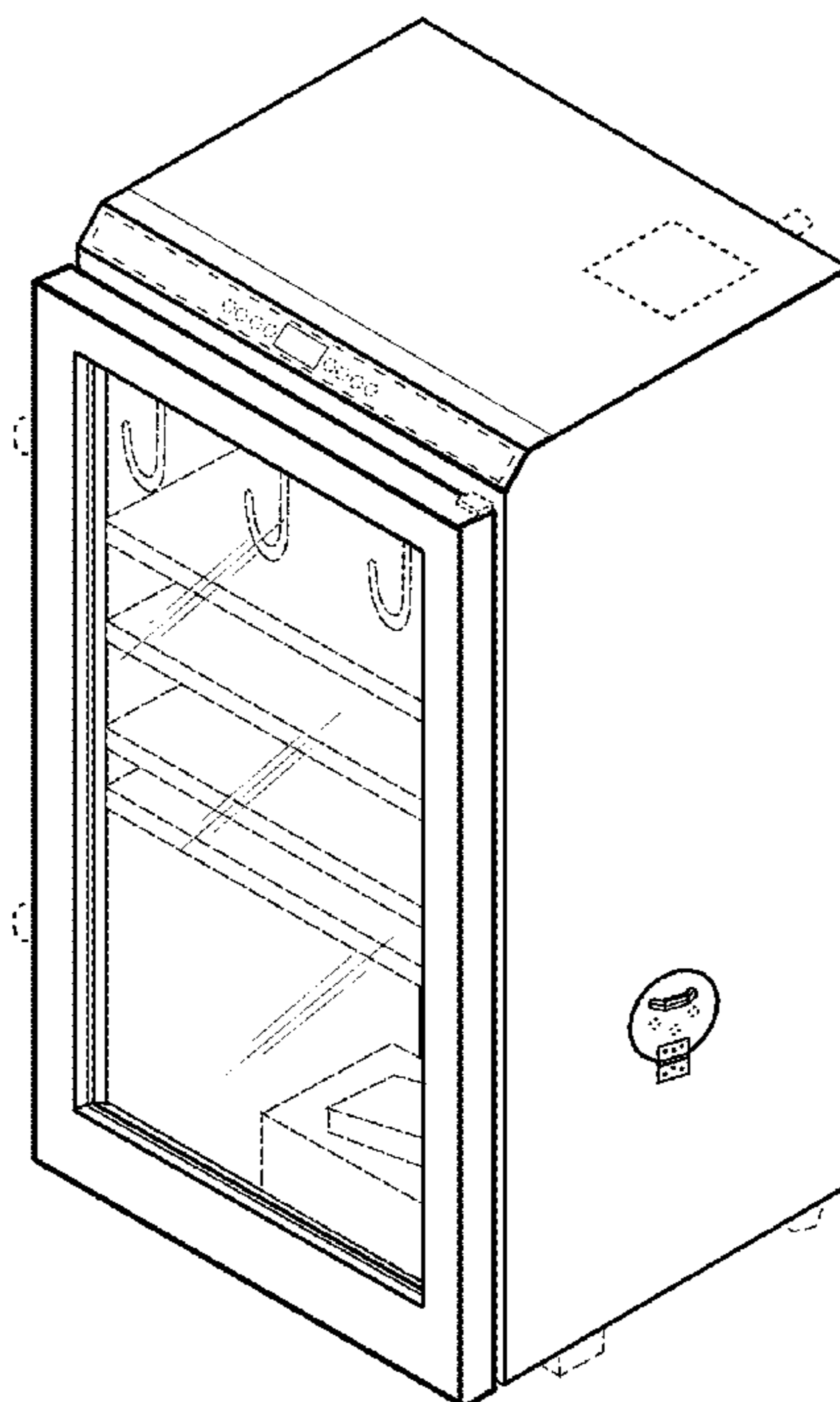
FIG. 1 is a top, right front perspective view of a glass door smoker showing my new design;
 FIG. 2 is a front elevational view thereof;
 FIG. 3 is a left side elevational view thereof;
 FIG. 4 is a right side elevational view thereof; and,
 FIG. 5 is a top plan view thereof.
 The bottom and rear surfaces of the glass door smoker, not shown, form no part of the claimed design.

1 Claim, 5 Drawing Sheets

(56) **References Cited**

U.S. PATENT DOCUMENTS

2,004,024	A *	6/1935	Van Voorst, Jr.	126/41 D
2,722,882	A *	11/1955	Wilson	99/421 H
2,833,201	A *	5/1958	Simank	99/481
3,942,425	A *	3/1976	Canright	99/467
D244,019	S *	4/1977	Brown	D15/88
4,130,052	A *	12/1978	Jacobson	99/339
4,213,381	A *	7/1980	Ellis	99/446



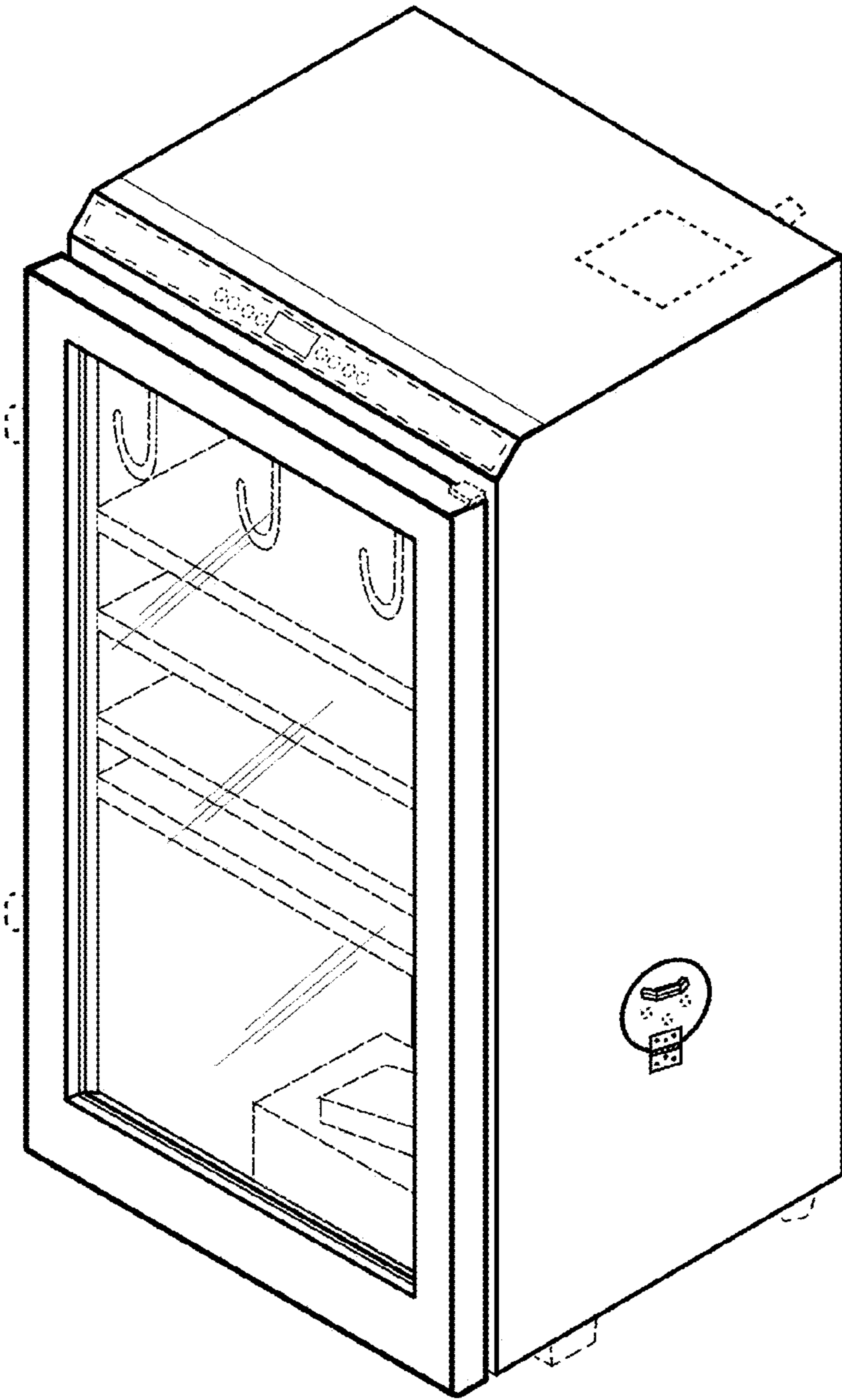


FIG. 1

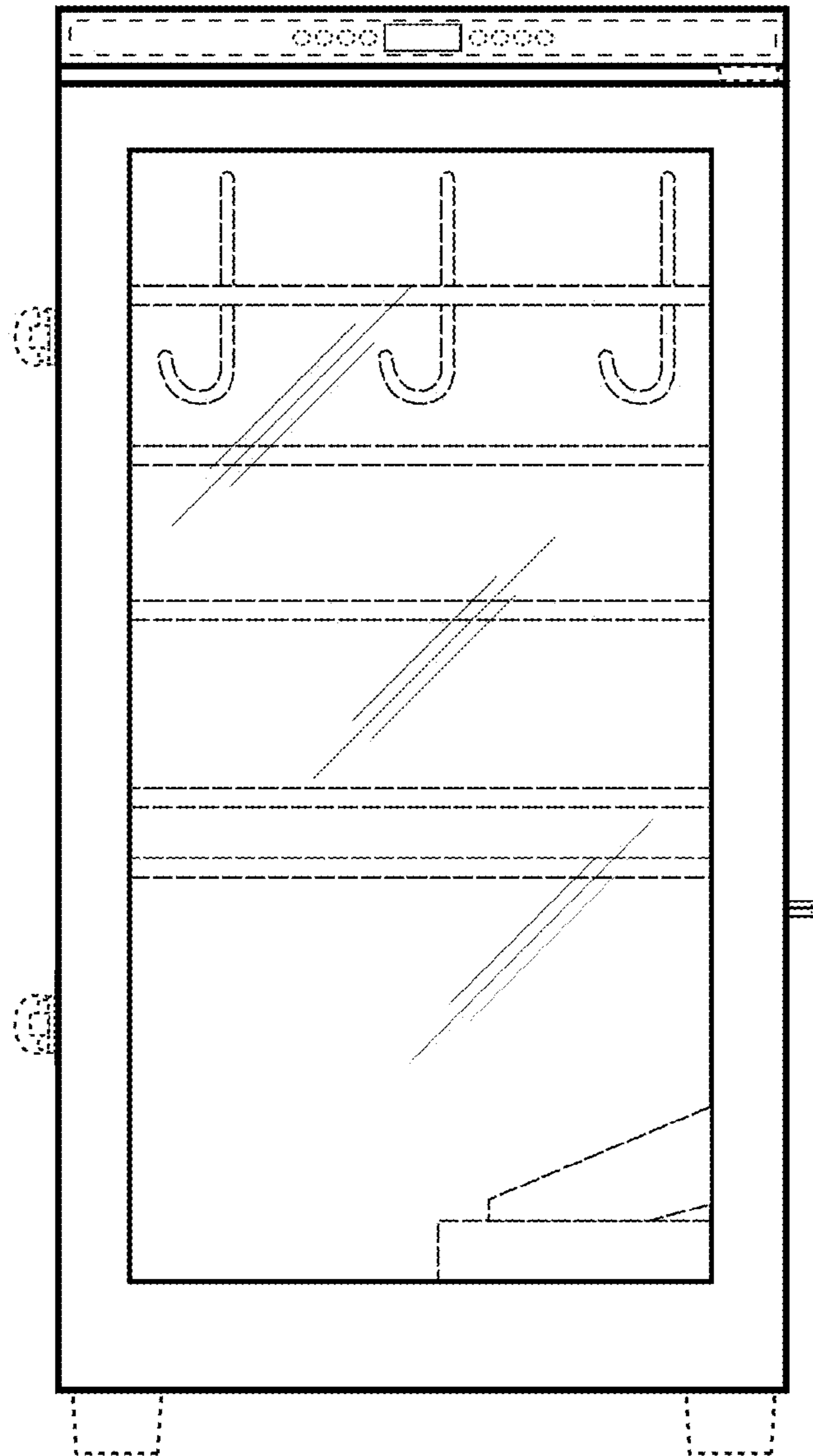


FIG. 2

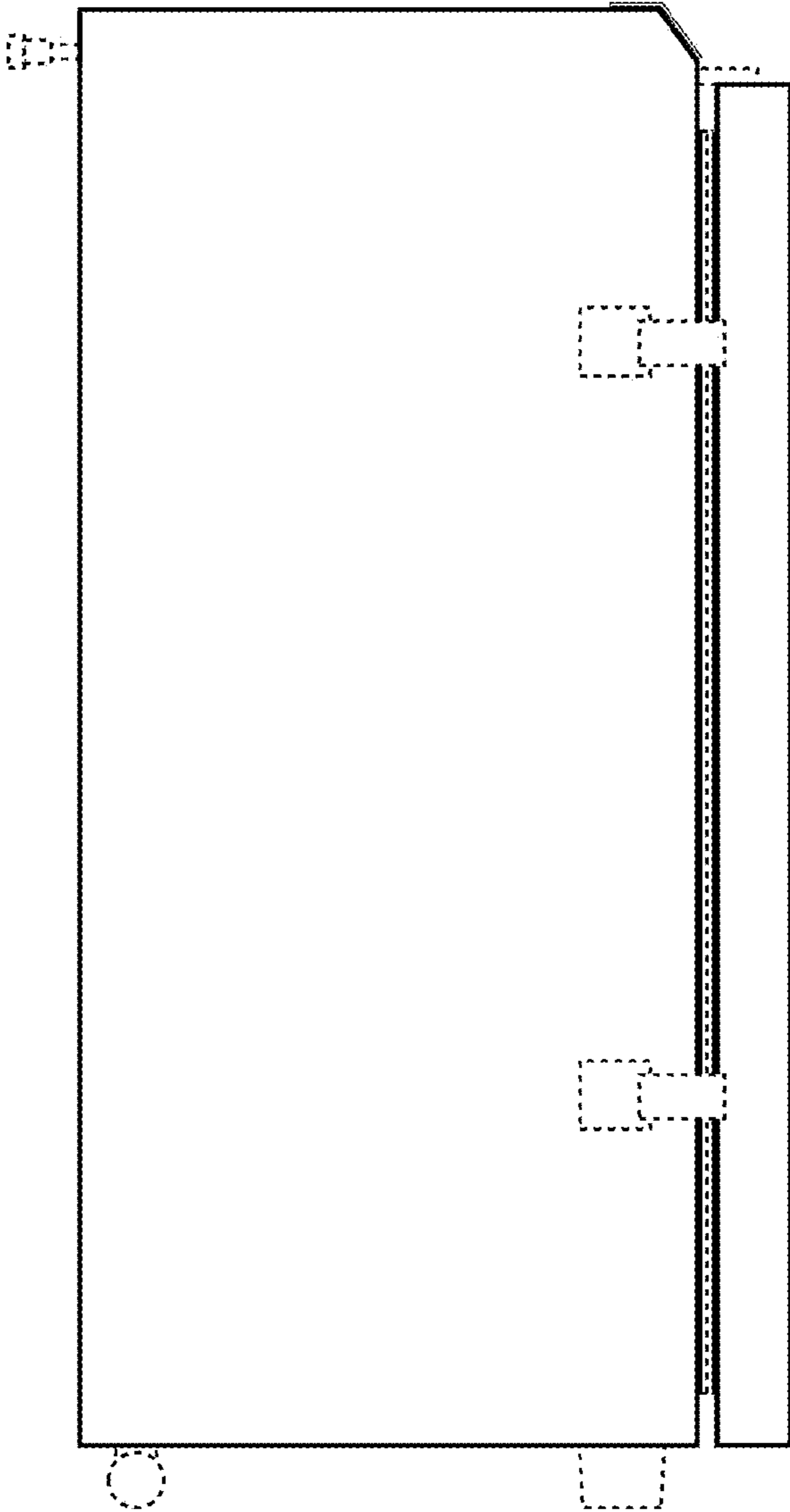


FIG. 3

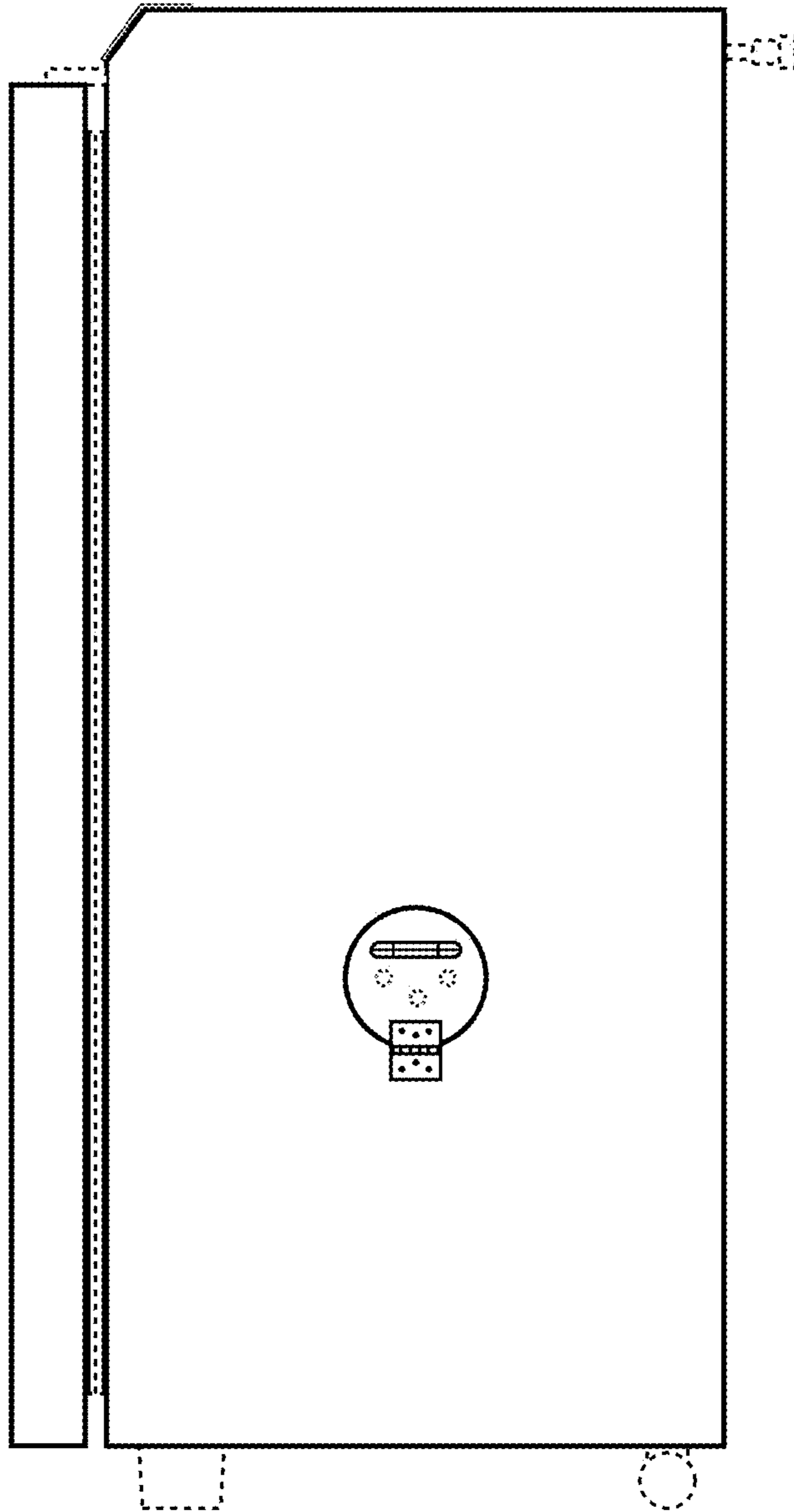


FIG. 4

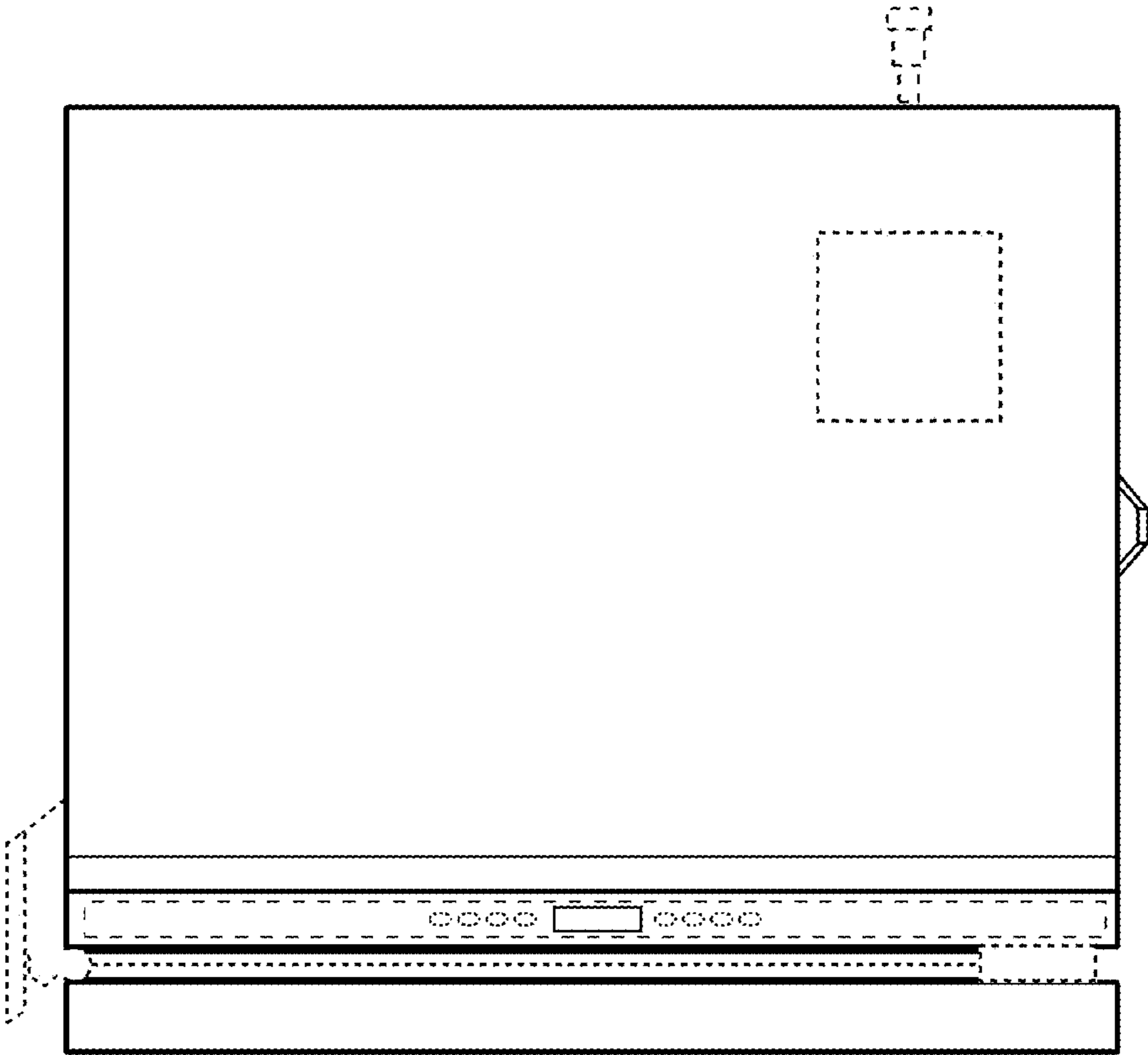


FIG. 5