



US00D704979S

(12) **United States Design Patent**  
**Nordwall**

(10) **Patent No.:** **US D704,979 S**

(45) **Date of Patent:** **\*\* May 20, 2014**

(54) **COOKING APPLIANCE**

(56) **References Cited**

(71) Applicant: **Electrolux Professional S.p.A.**,  
Pordenone (IT)

U.S. PATENT DOCUMENTS

(72) Inventor: **Joachim Nordwall**, Stockholm (SE)

1,204,429	A	*	11/1916	Griswold	.....	99/425
2,362,757	A	*	11/1944	Lang	.....	99/425
D194,137	S	*	11/1962	Jenn et al.	.....	D7/346
D230,390	S	*	2/1974	Tyke et al.	.....	D7/346
3,927,658	A	*	12/1975	Olthuis	.....	126/214 A
D271,269	S	*	11/1983	Vetter et al.	.....	D7/407
D271,557	S	*	11/1983	Schwarzli	.....	D7/363
D292,472	S	*	10/1987	Oh	.....	D7/360
5,528,015	A	*	6/1996	von Blanquet et al.	.....	219/445.1
6,236,024	B1	*	5/2001	Gotz et al.	.....	219/452.11
D508,816	S	*	8/2005	Tanaka	.....	D7/346
D568,672	S	*	5/2008	Craig et al.	.....	D7/346
7,381,929	B2	*	6/2008	Pedreno Jimenez	.....	219/450.1
D572,526	S	*	7/2008	Martin et al.	.....	D7/405
D581,213	S	*	11/2008	Green et al.	.....	D7/405

(73) Assignee: **Electrolux Professional S.p.A.** (IT)

(\*\*) Term: **14 Years**

(21) Appl. No.: **29/434,627**

(22) Filed: **Oct. 15, 2012**

(30) **Foreign Application Priority Data**

Sep. 17, 2012 (EM) ..... 002103887-0003

Sep. 17, 2012 (EM) ..... 002103887-0004

(51) **LOC (10) Cl.** ..... **07-02**

(52) **U.S. Cl.**  
USPC ..... **D7/346**

(58) **Field of Classification Search**  
USPC ..... D7/323, 336, 337, 339, 340, 346, 347,  
D7/348, 360, 363, 387, 402-409;  
126/39 A, 39 R, 39 J, 211, 214 A, 214 C,  
126/215, 216, 217, 218, 152 R; 219/445.1,  
219/448.12, 450.1, 452.11, 460.1-464.1,  
219/480, 483, 506, 621-624, 627, 660,  
219/665; 99/339, 340, 342, 425; 431/10;  
307/104; 432/176

See application file for complete search history.

\* cited by examiner

*Primary Examiner* — Caron D Veynar

*Assistant Examiner* — Martie K Holtje

(74) *Attorney, Agent, or Firm* — Banner & Witcoff, Ltd.

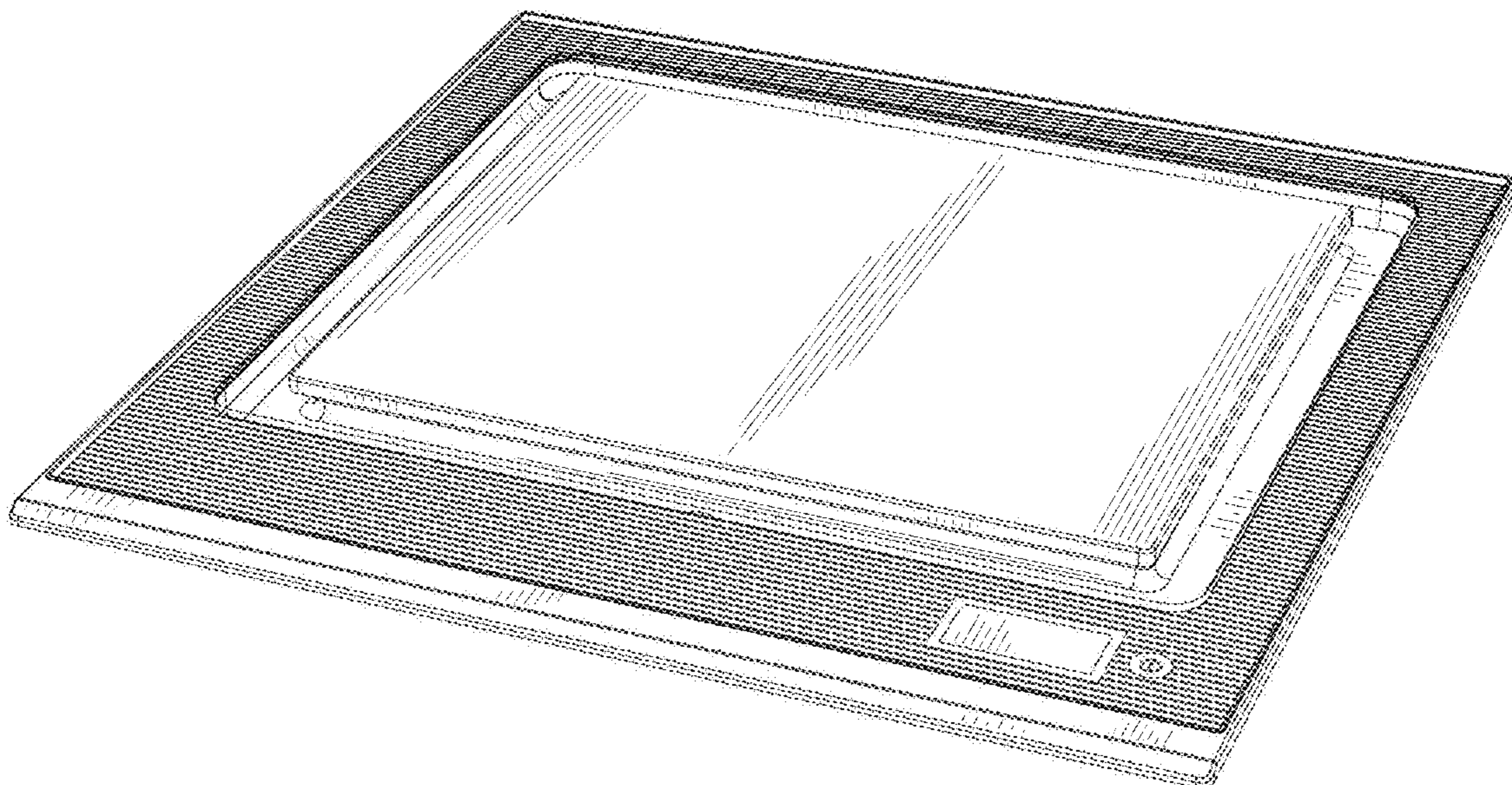
(57) **CLAIM**

The ornamental design for a cooking appliance, as shown and described.

**DESCRIPTION**

FIG. 1 is a perspective view of a cooking appliance showing my new design;  
FIG. 2 is a front view thereof;  
FIG. 3 is top view thereof;  
FIG. 4 is a bottom view thereof;  
FIG. 5 is a left side view thereof;  
FIG. 6 is a right side view thereof; and,  
FIG. 7 is a rear view thereof.

**1 Claim, 5 Drawing Sheets**





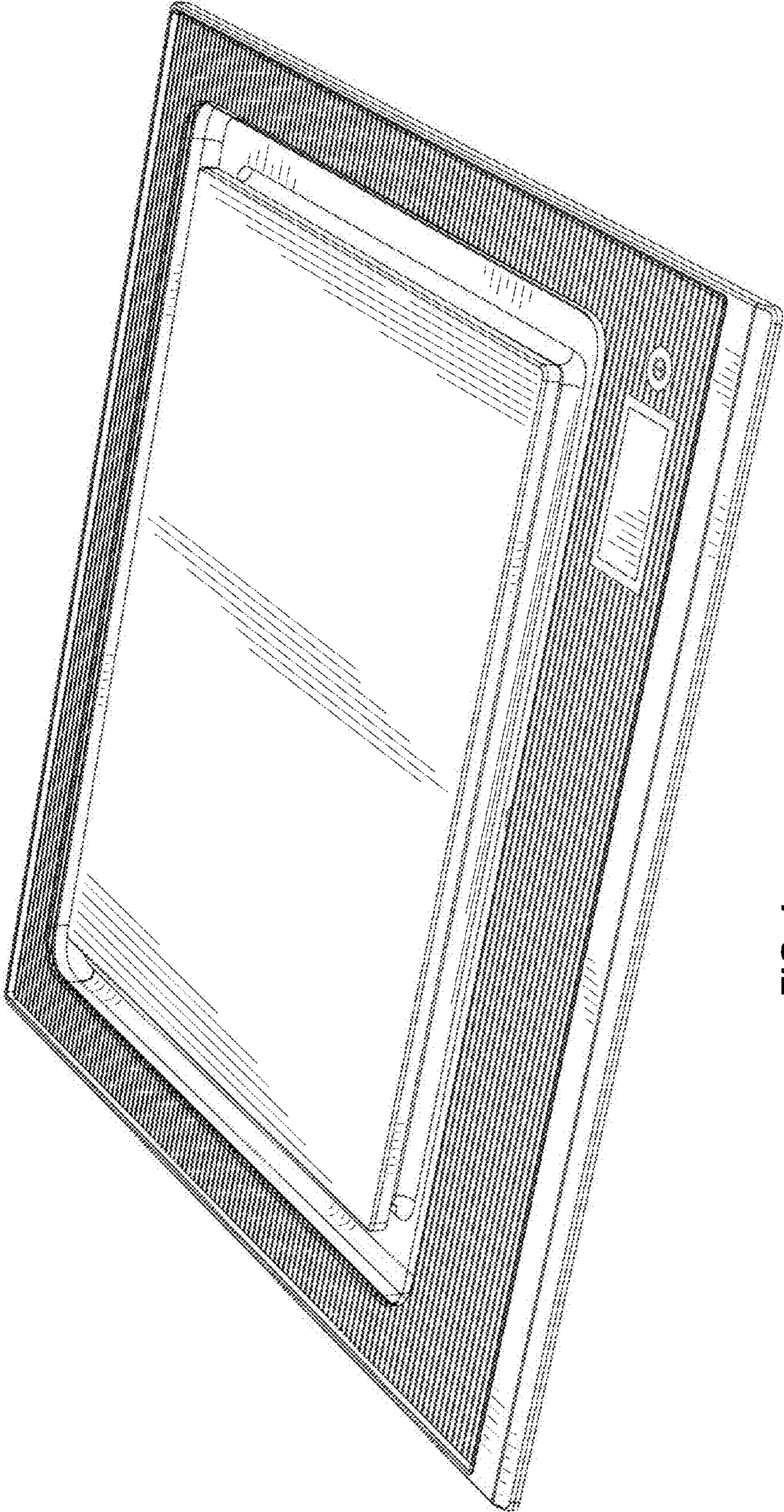


FIG. 1

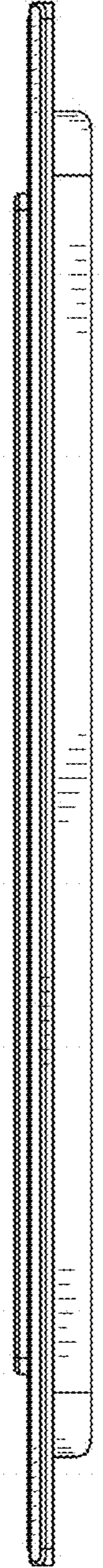


FIG. 2



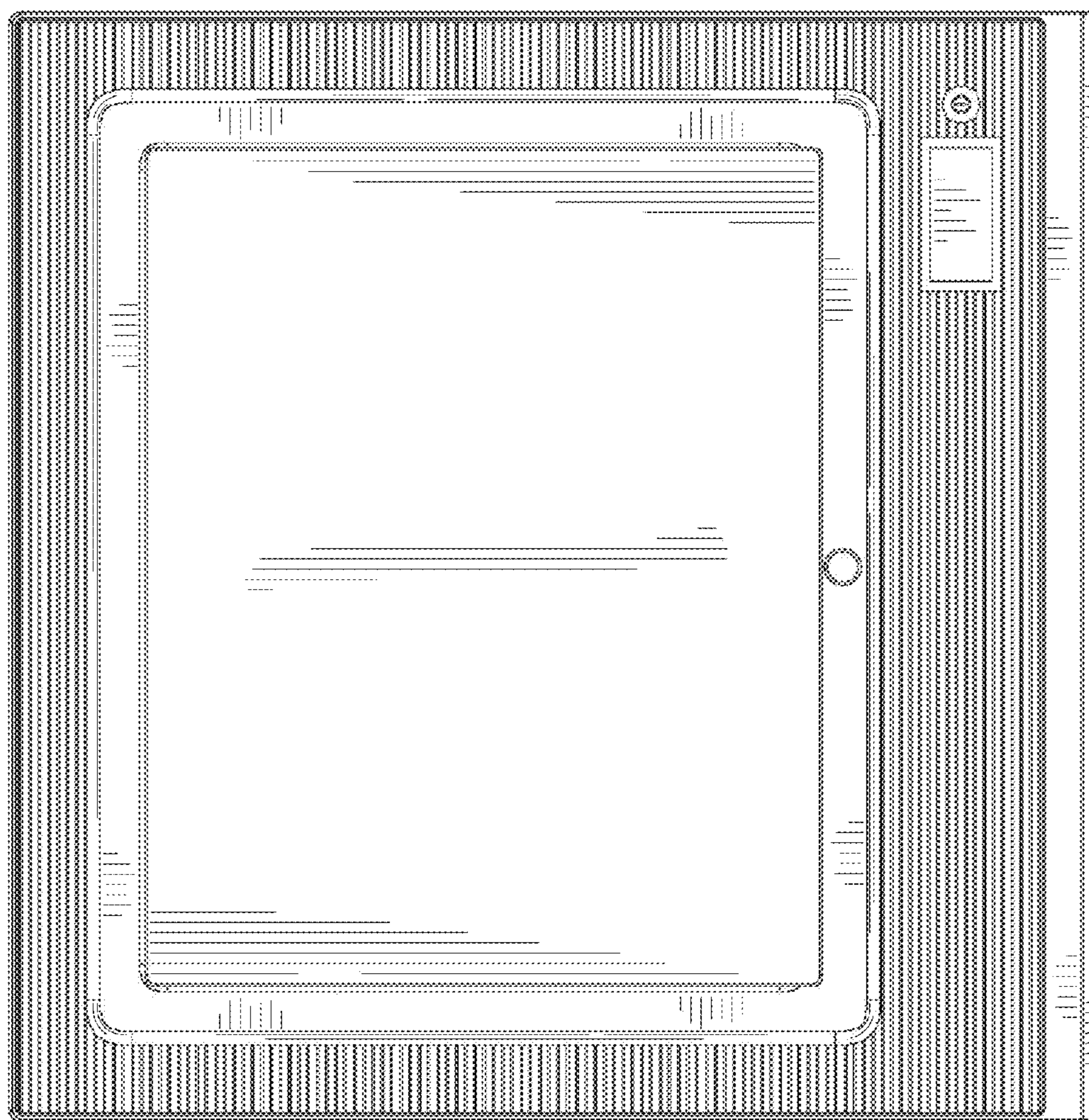
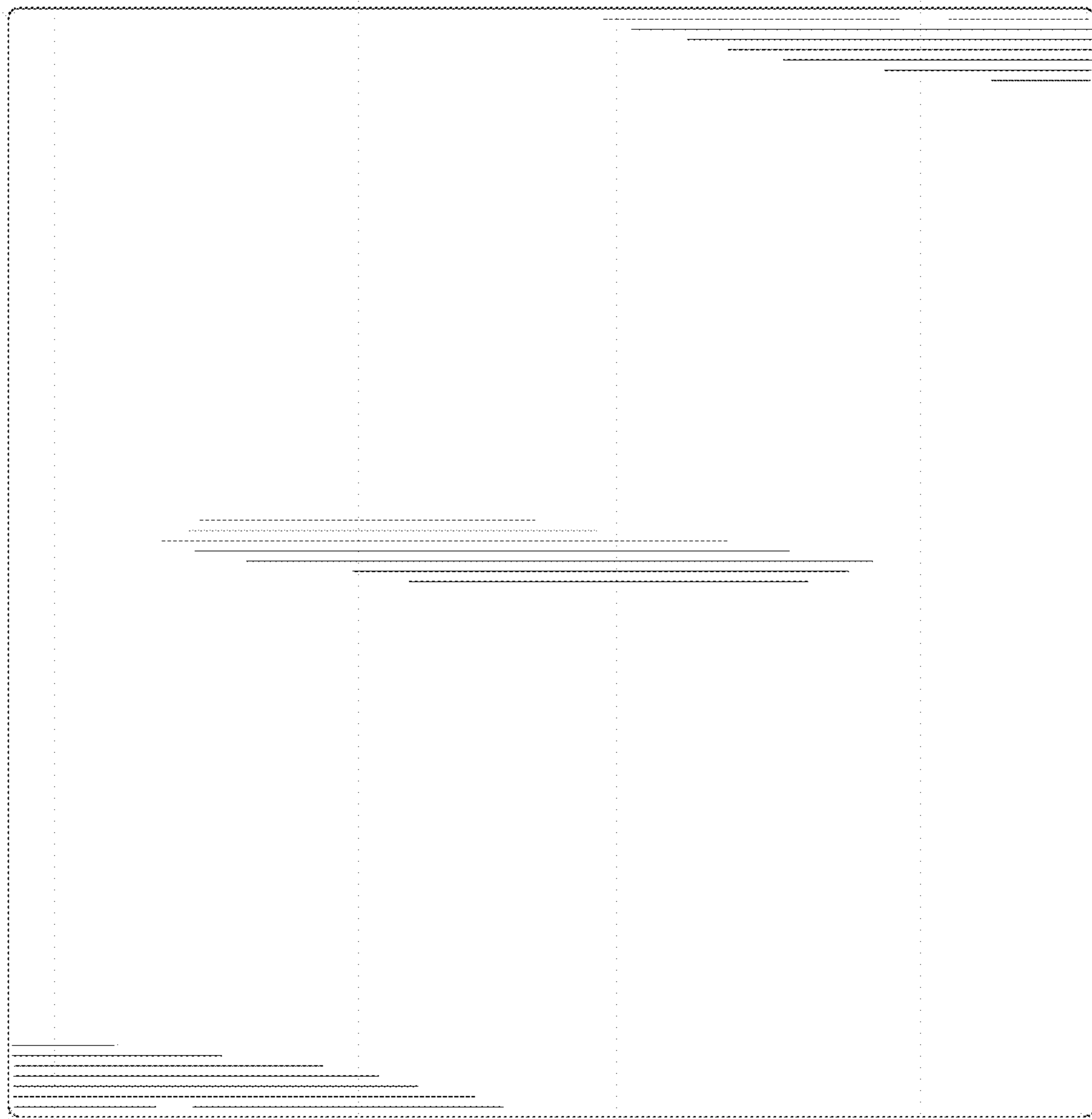


FIG. 3

FIG. 4



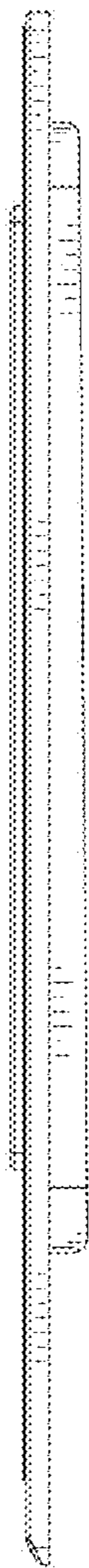


FIG. 5

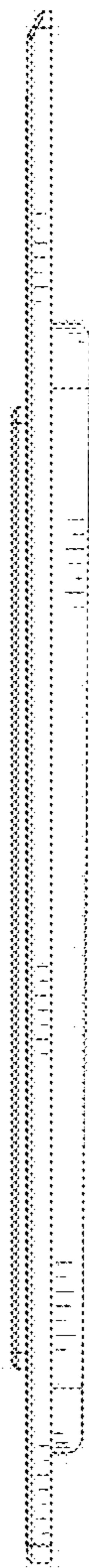


FIG. 6

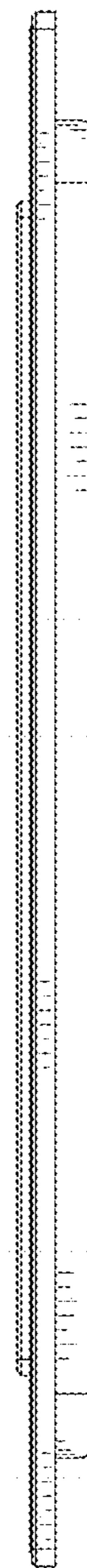


FIG. 7