



US00D704978S

(12) **United States Design Patent**
Kim et al.

(10) **Patent No.:** **US D704,978 S**
(45) **Date of Patent:** **** May 20, 2014**

(54) **OVEN**

(56)

References Cited

(71) Applicant: **Samsung Electronics Co., Ltd.**,
Suwon-Si (KR)
(72) Inventors: **Tai Kyung Kim**, Seoul (KR); **Jaejun Kim**, Seoul (KR); **Byungkook Baek**,
Anyang-si (KR); **Ji-Young Shin**, Seoul
(KR); **Yoon-Jung Choi**, Seoul (KR);
Sungjae Lee, Kwangmyung-si (KR)
(73) Assignee: **Samsung Electronics Co., Ltd.**,
Gyeonggi-do (KR)

U.S. PATENT DOCUMENTS

D277,449	S	*	2/1985	Vetter et al.	D7/346
5,406,932	A	*	4/1995	Joseph et al.	126/39 K
5,568,804	A	*	10/1996	Joseph et al.	126/39 K
D464,229	S	*	10/2002	Baldwin et al.	D7/340
D530,971	S	*	10/2006	Kim	D7/340
D536,208	S	*	2/2007	Ostlund et al.	D7/340
D555,976	S	*	11/2007	Baldwin	D7/405
D560,956	S	*	2/2008	Shin et al.	D7/346
D560,959	S	*	2/2008	Shin et al.	D7/348
D564,281	S	*	3/2008	Kim	D7/340
D604,987	S	*	12/2009	Jung et al.	D7/348
D612,678	S	*	3/2010	Baker et al.	D7/405
D612,680	S	*	3/2010	Baker et al.	D7/405
D612,684	S	*	3/2010	Baker et al.	D7/405
D612,685	S	*	3/2010	Baker et al.	D7/405
7,690,374	B2	*	4/2010	Lee et al.	126/39 J
D646,519	S	*	10/2011	Kim et al.	D7/346
2006/0070616	A1	*	4/2006	Lee et al.	126/299 D
2007/0023029	A1	*	2/2007	Kelley et al.	126/198
2009/0194527	A1	*	8/2009	Okada	219/624

(**) Term: **14 Years**

(21) Appl. No.: **29/454,874**

(22) Filed: **May 15, 2013**

(30) **Foreign Application Priority Data**

Nov. 29, 2012 (KR) 30-2012-0057375

(51) **LOC (10) Cl.** **07-02**

(52) **U.S. Cl.**
USPC **D7/340; D7/346**

(58) **Field of Classification Search**
USPC D7/323, 336, 337, 339, 340, 346, 347,
D7/348, 349, 402-409, 387; 126/39 A,
126/39 R, 39 J, 39 K, 211, 214 A, 214 C,
126/215-218, 152 R, 1 R, 19 R, 41 R, 198,
126/273 R, 299 D; 219/460.1-464.1, 506,
219/538, 552, 621-624, 480, 483, 445.1,
219/660, 665, 448.1, 452.12; 431/10;
307/104; 99/339, 340, 342; 432/176

See application file for complete search history.

* cited by examiner

Primary Examiner — Caron D Veynar

Assistant Examiner — Martie K Holtje

(74) *Attorney, Agent, or Firm* — Harness, Dickey & Pierce

(57) **CLAIM**

The ornamental design for an oven, as shown and described.

DESCRIPTION

FIG. 1 is the front/right-side/top perspective view of an oven showing our new design;
FIG. 2 is the front elevational view thereof;
FIG. 3 is the rear elevational view thereof;
FIG. 4 is the left-side elevational view thereof;
FIG. 5 is the right-side elevational view thereof;
FIG. 6 is the top-side plan view thereof; and,
FIG. 7 is the bottom-side plan view thereof.
The rectangular shape depicted by broken lines in FIGS. 1 and 5 has been shown for the purpose of illustrating an element of the oven that forms no part of the claimed design.

1 Claim, 7 Drawing Sheets

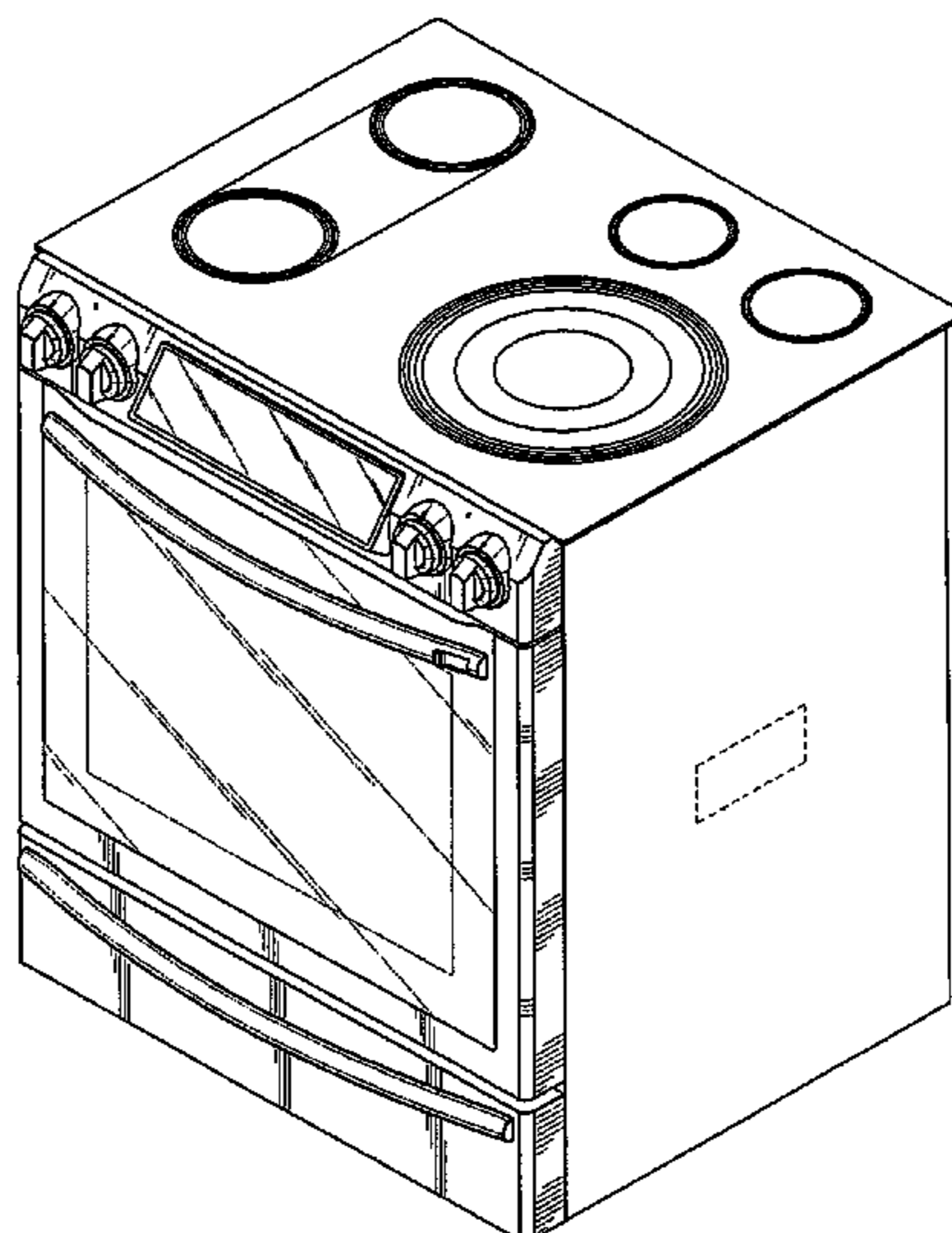


FIG. 1

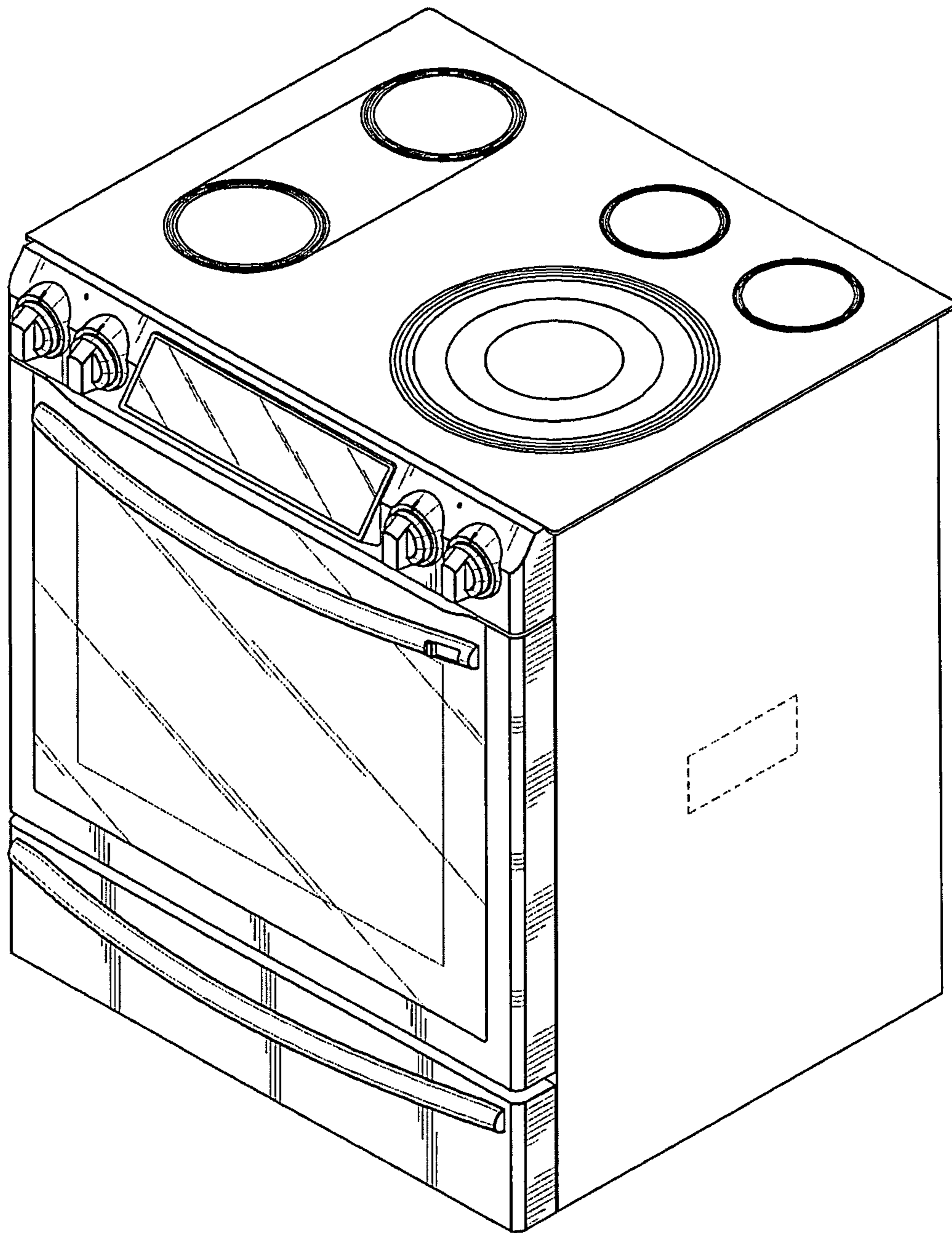


FIG.2

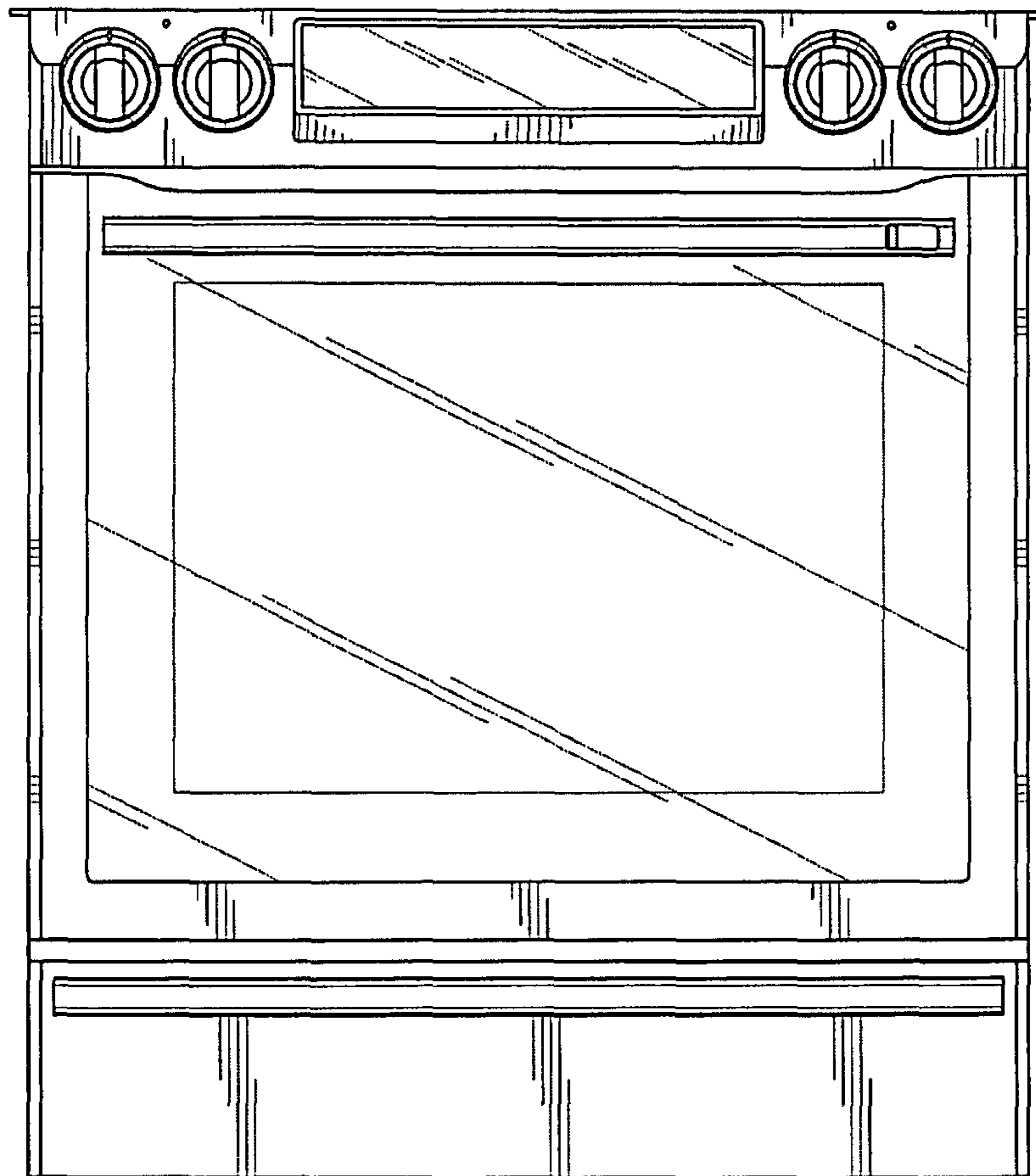


FIG.3

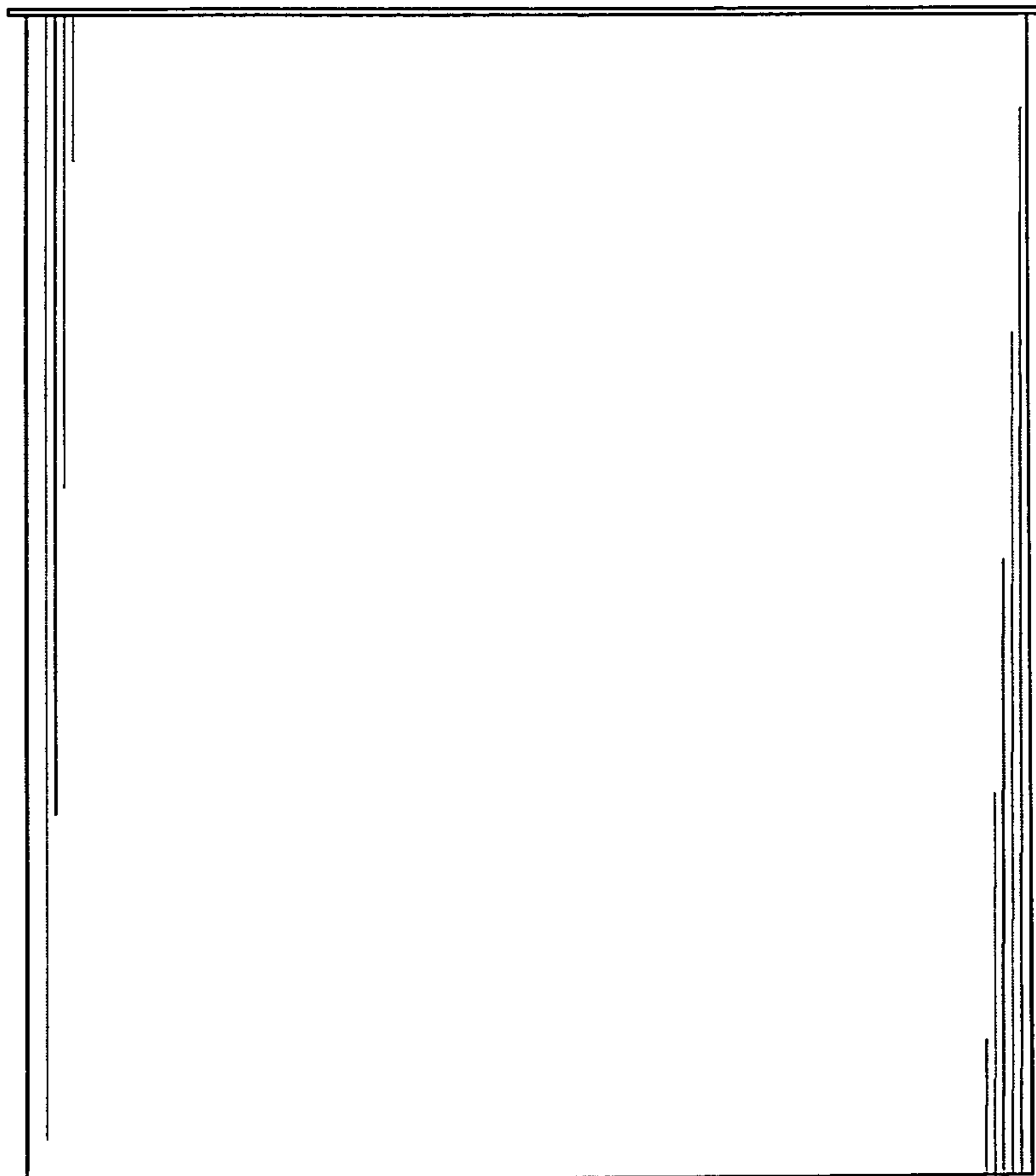


FIG.4

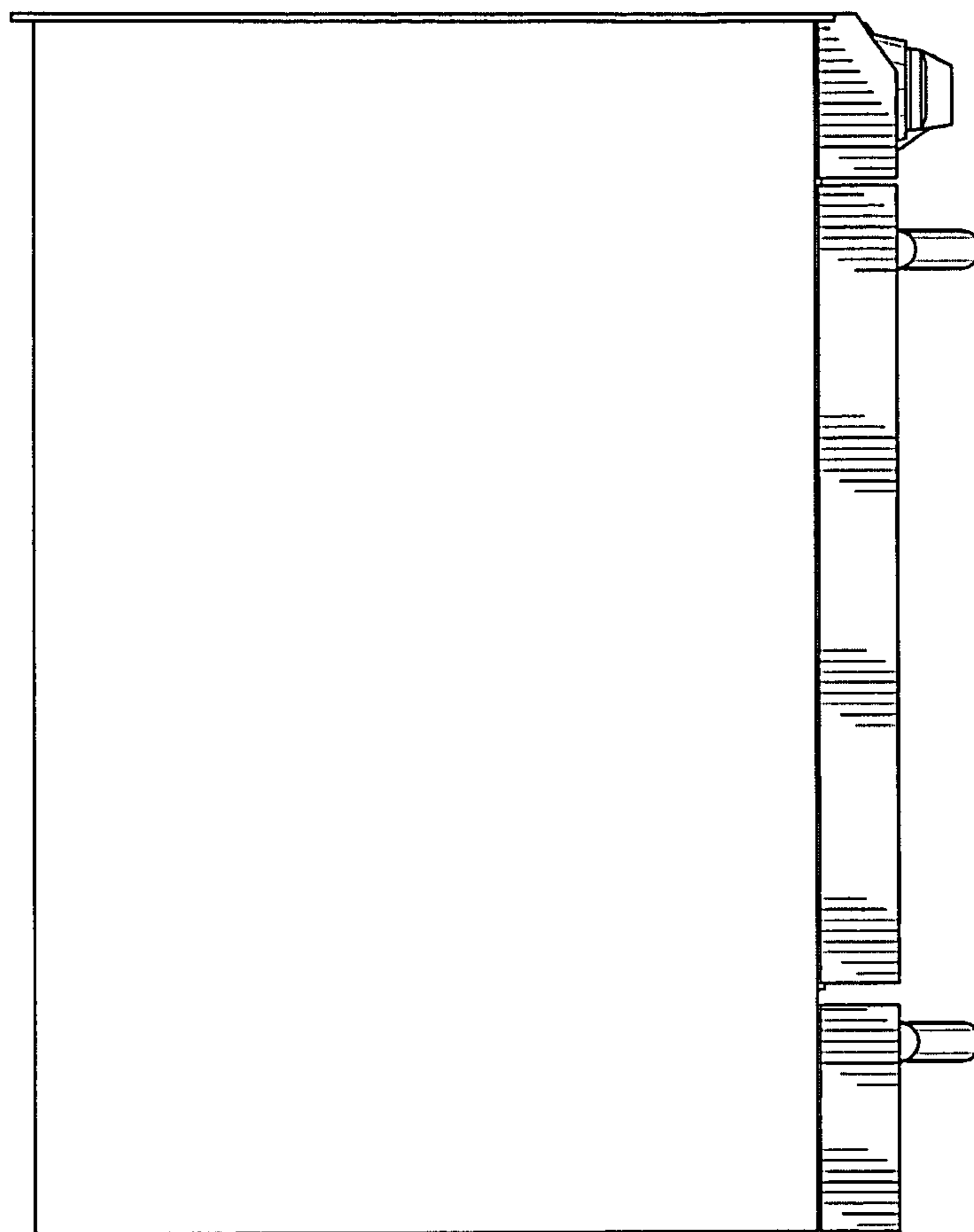


FIG.5

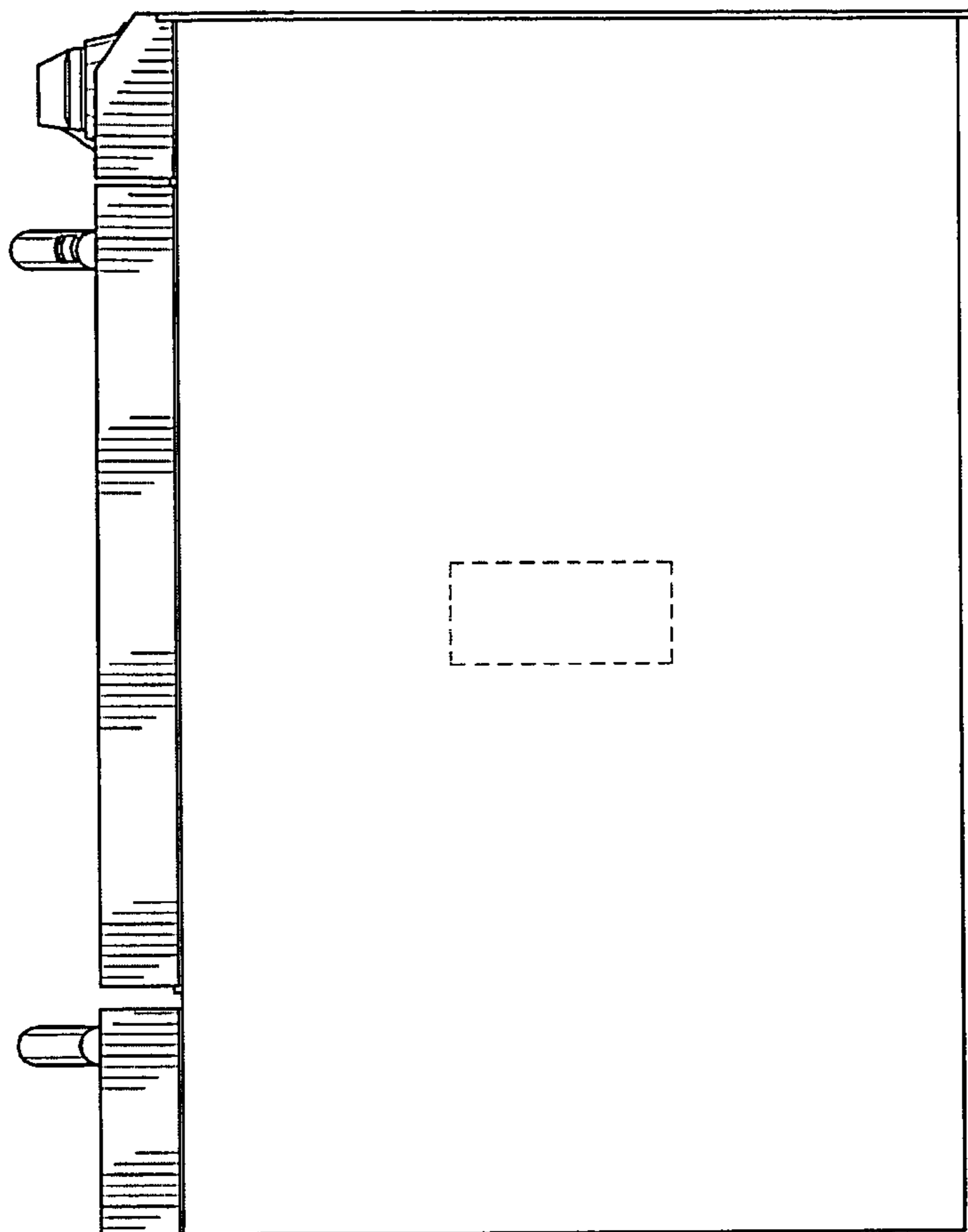


FIG.6

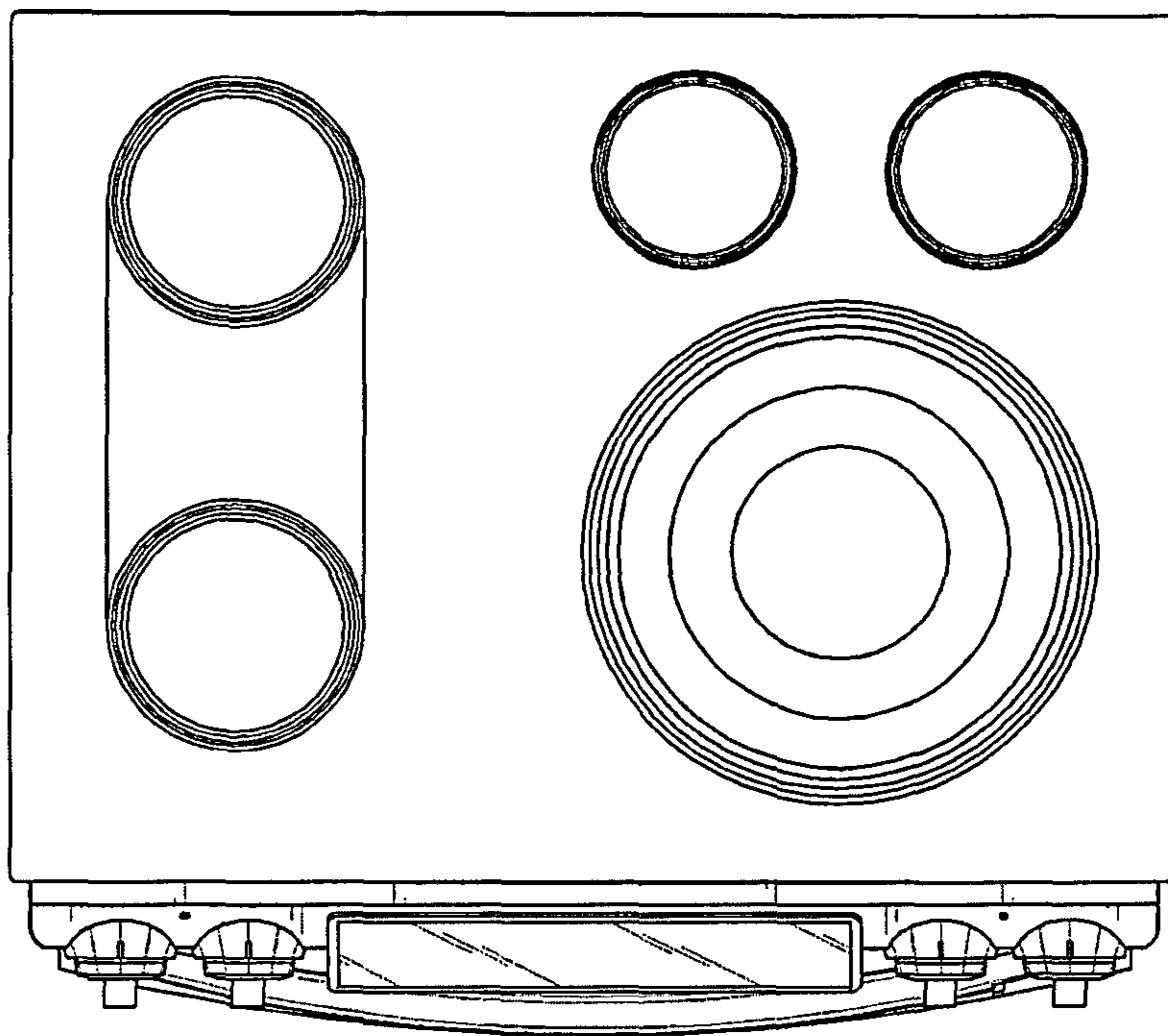


FIG. 7

