



US00D704974S

(12) **United States Design Patent**
Lee

(10) **Patent No.:** **US D704,974 S**
(45) **Date of Patent:** **** May 20, 2014**

(54) **STOOL**

(71) Applicant: **Justin Lee**, Houston, TX (US)

(72) Inventor: **Justin Lee**, Houston, TX (US)

(**) Term: **14 Years**

(21) Appl. No.: **29/452,680**

(22) Filed: **Apr. 19, 2013**

(51) **LOC (10) Cl.** **06-01**

(52) **U.S. Cl.**
USPC **D6/716**; D6/349

(58) **Field of Classification Search**
CPC A47C 5/02; A47C 9/00; A47C 11/00;
A47C 13/00; A47C 9/06; A47C 7/16
USPC D6/330, 337, 341, 346, 349–355, 357,
D6/362, 364–373, 376, 377, 381, 645, 656,
D6/658, 665, 674, 675.5, 676, 685–692,
D6/694, 704, 705, 707, 707.19, 708,
D6/716.1–716.6, 717, 717.2; 297/423.12,
297/423.13, 423.37, 461, 462, 115, 116,
297/135, 160–162
See application file for complete search history.

(56) **References Cited**

U.S. PATENT DOCUMENTS

D159,947 S *	9/1950	Bell	D6/349
D178,092 S *	6/1956	Van Koert	D6/349
D394,960 S *	6/1998	Lewis	D6/349
D472,396 S *	4/2003	de Blois	D6/349
D504,578 S *	5/2005	Moser	D6/349
D614,877 S *	5/2010	Garzon	D6/349
D635,374 S *	4/2011	Flannigan et al.	D6/355

OTHER PUBLICATIONS

Wegner Era Mid Century Danish Bench/Stool, Woven Seat, MC Modern Art Décor. [online] Retrieved Jan. 21, 2014 from URL: <<http://www.etsy.com/listing/127275737/wegner-era-mid-century-danish-bench>>.*
Saddle seat oak stool #618 Frame. [online] Dated Jun. 20, 2008. Retrieved Jan. 21, 2014 from URL: <http://hhperkins.com/product_info.php/products_id/326?osCsid=b95f5adb858b4e911aa20feffdb51c01>.*

* cited by examiner

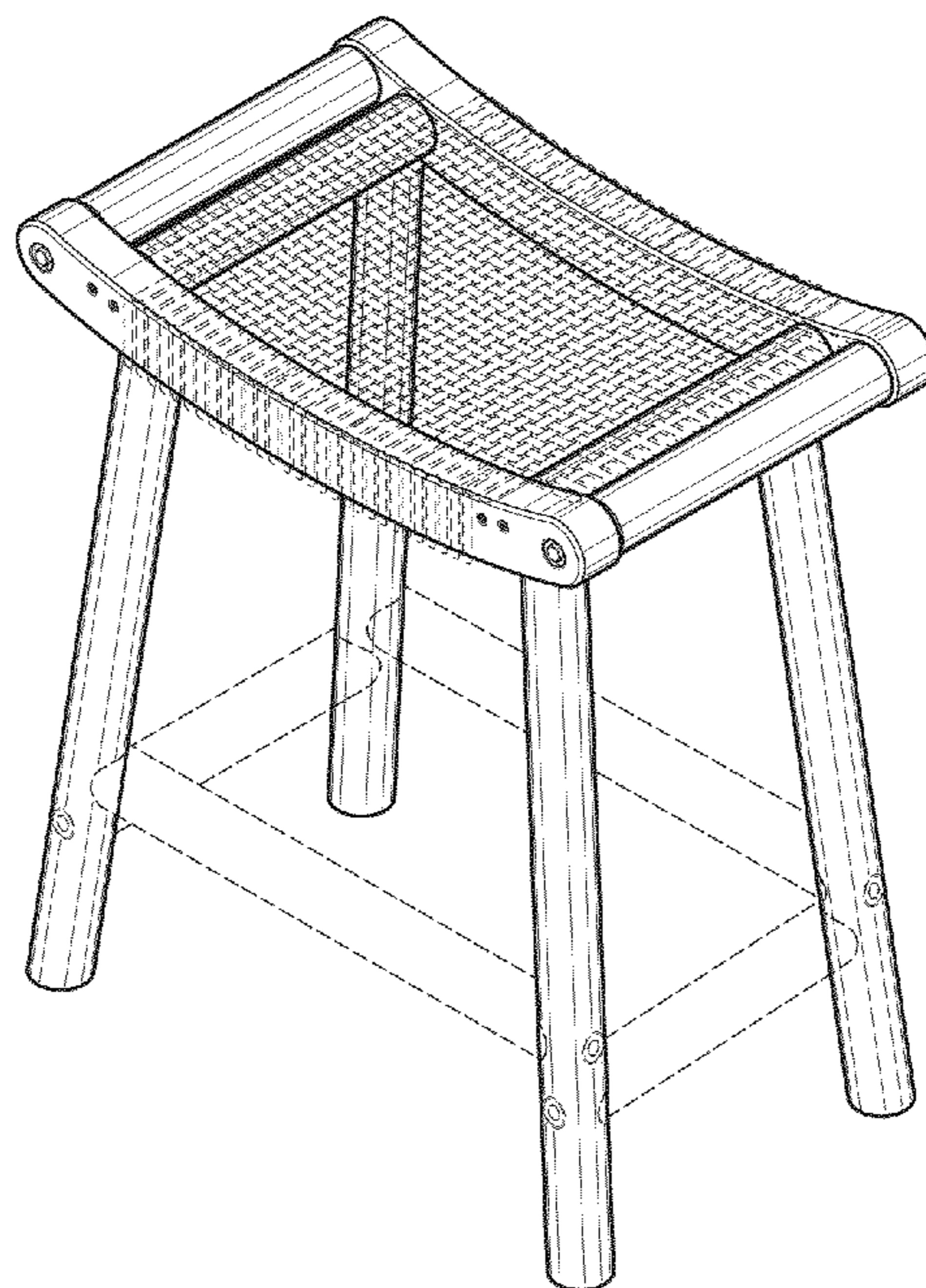
Primary Examiner — Susan Bennett Hattan
Assistant Examiner — Vy Koenig
(74) *Attorney, Agent, or Firm* — Egbert Law Offices, PLLC

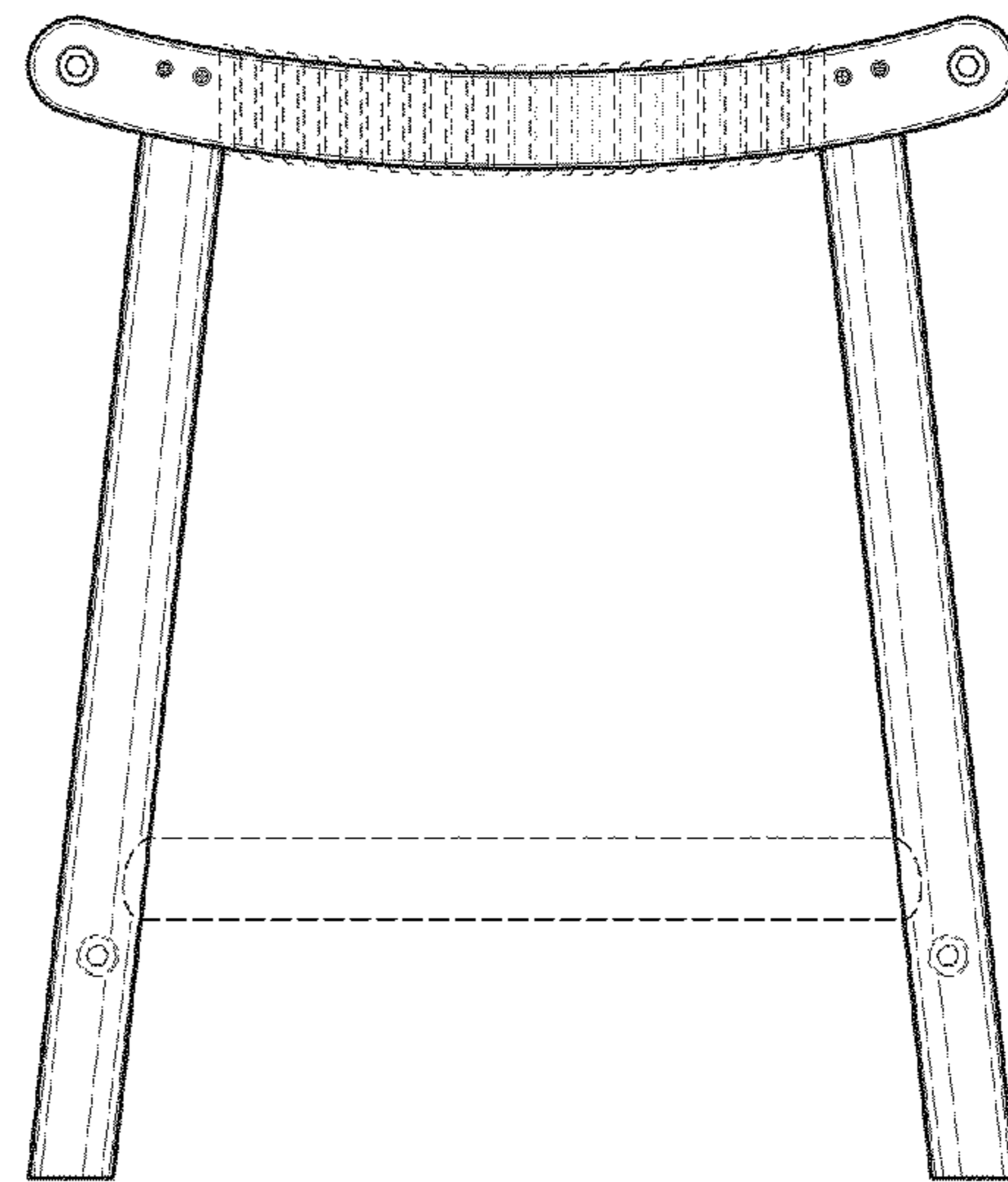
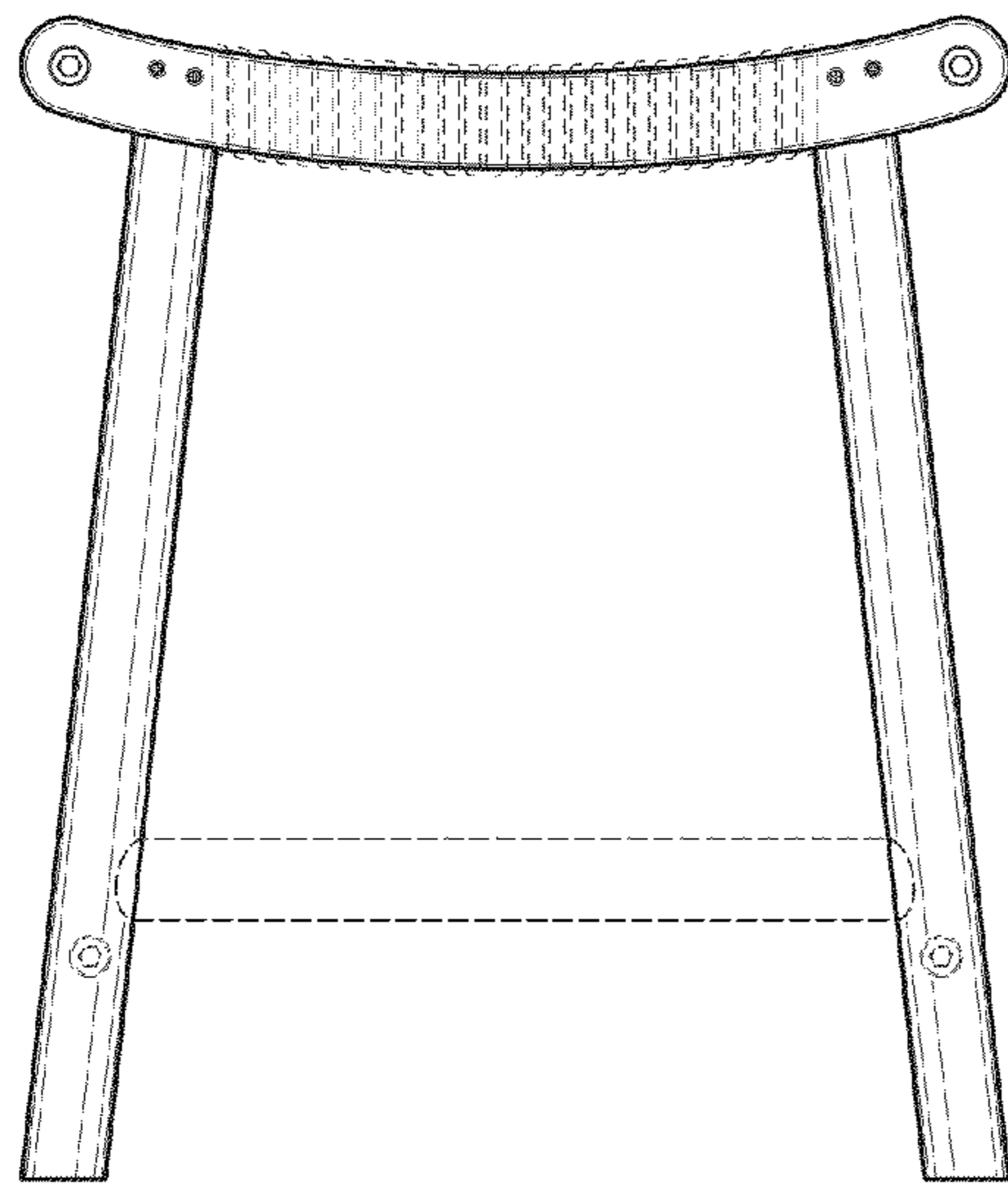
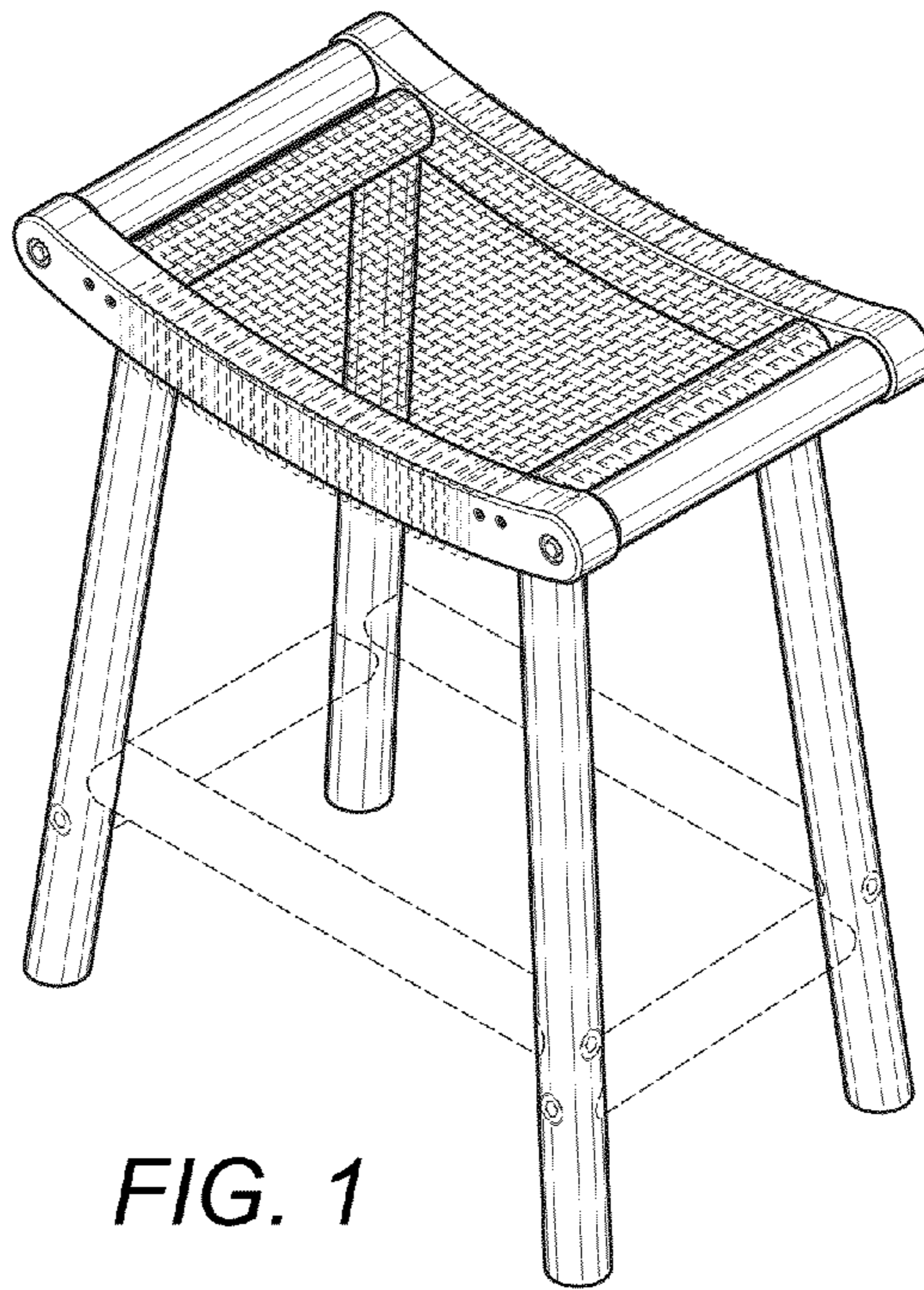
(57) **CLAIM**
The ornamental design for a stool, as shown and described.

DESCRIPTION

FIG. 1 is an upper perspective view of the stool showing my new design.
FIG. 2 is a front view thereof;
FIG. 3 is a back view thereof;
FIG. 4 is a side view thereof;
FIG. 5 is an opposite side view thereof;
FIG. 6 is a top view thereof; and,
FIG. 7 is a bottom view thereof.
The features presented in broken lines are for environmental purposes only and form no part of the claimed design.

1 Claim, 2 Drawing Sheets





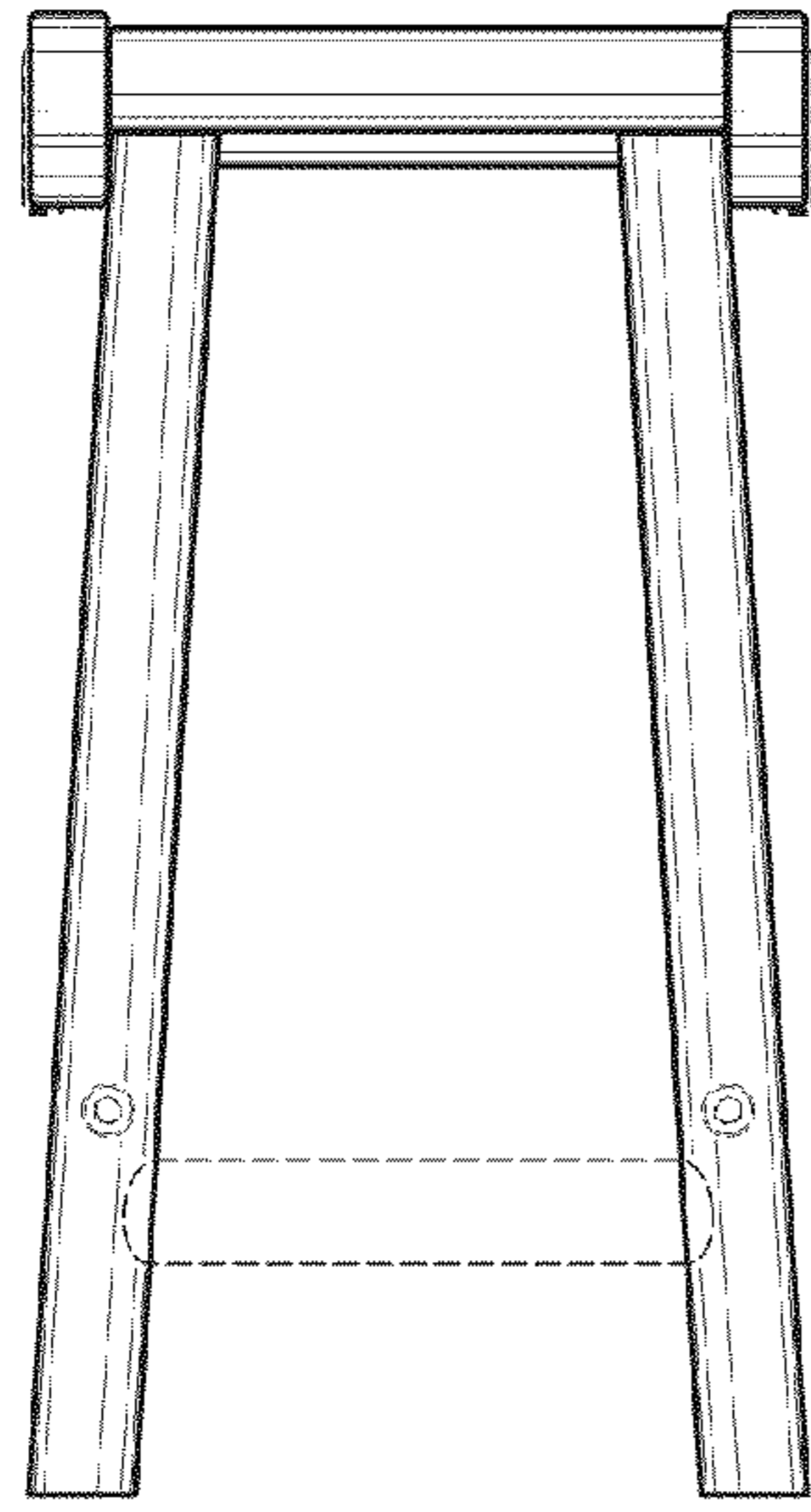


FIG. 4

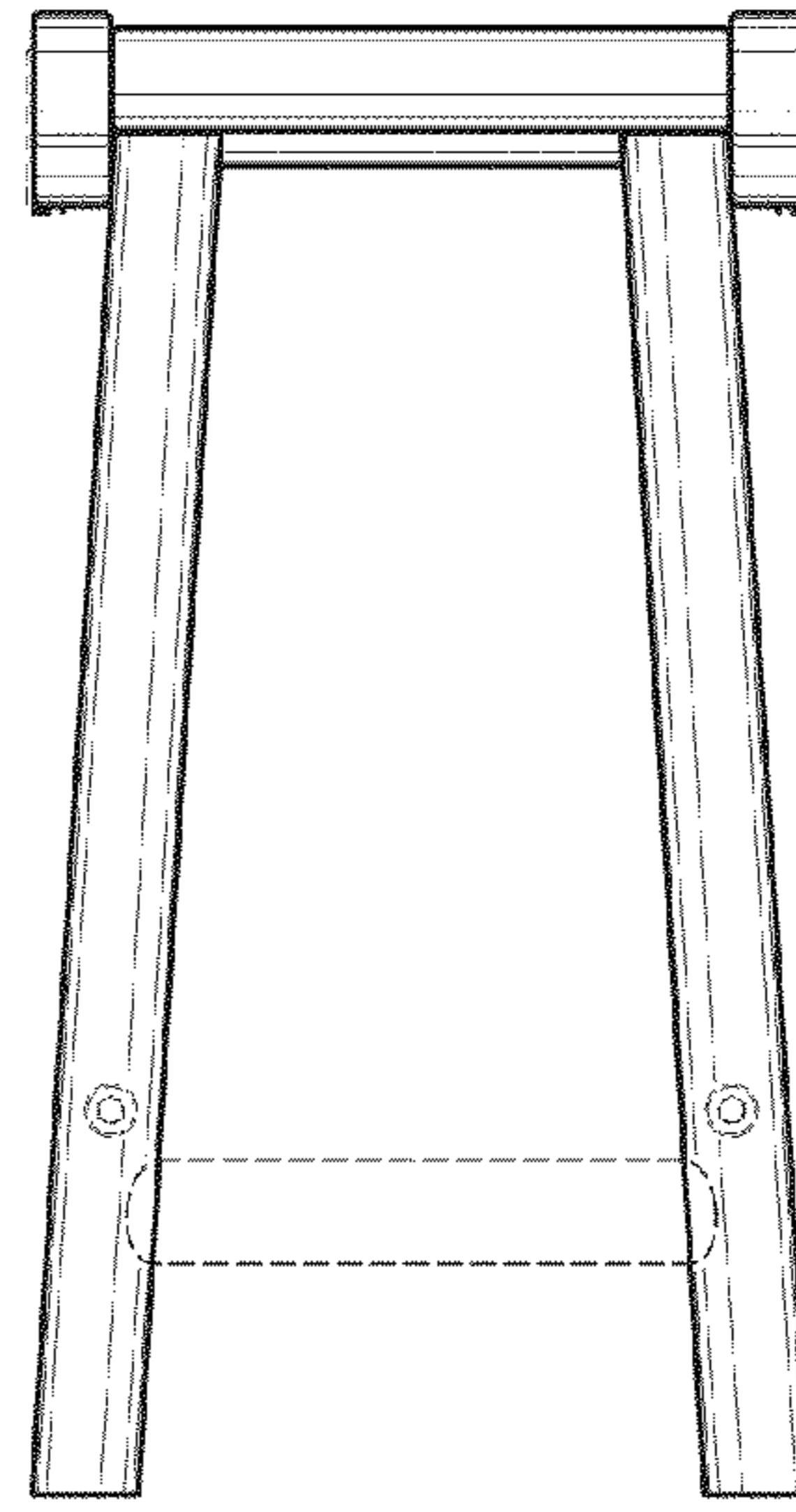


FIG. 5

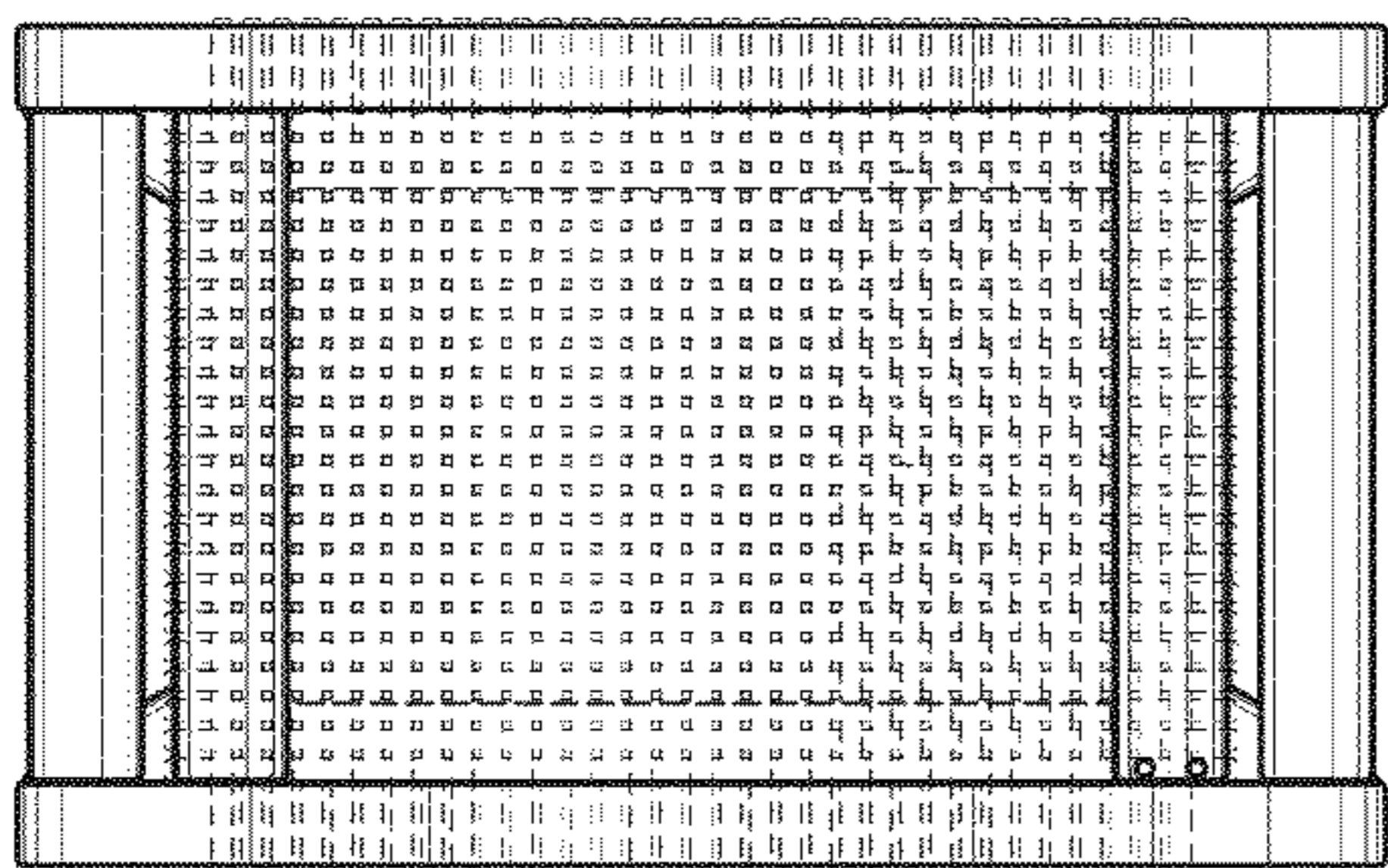


FIG. 6

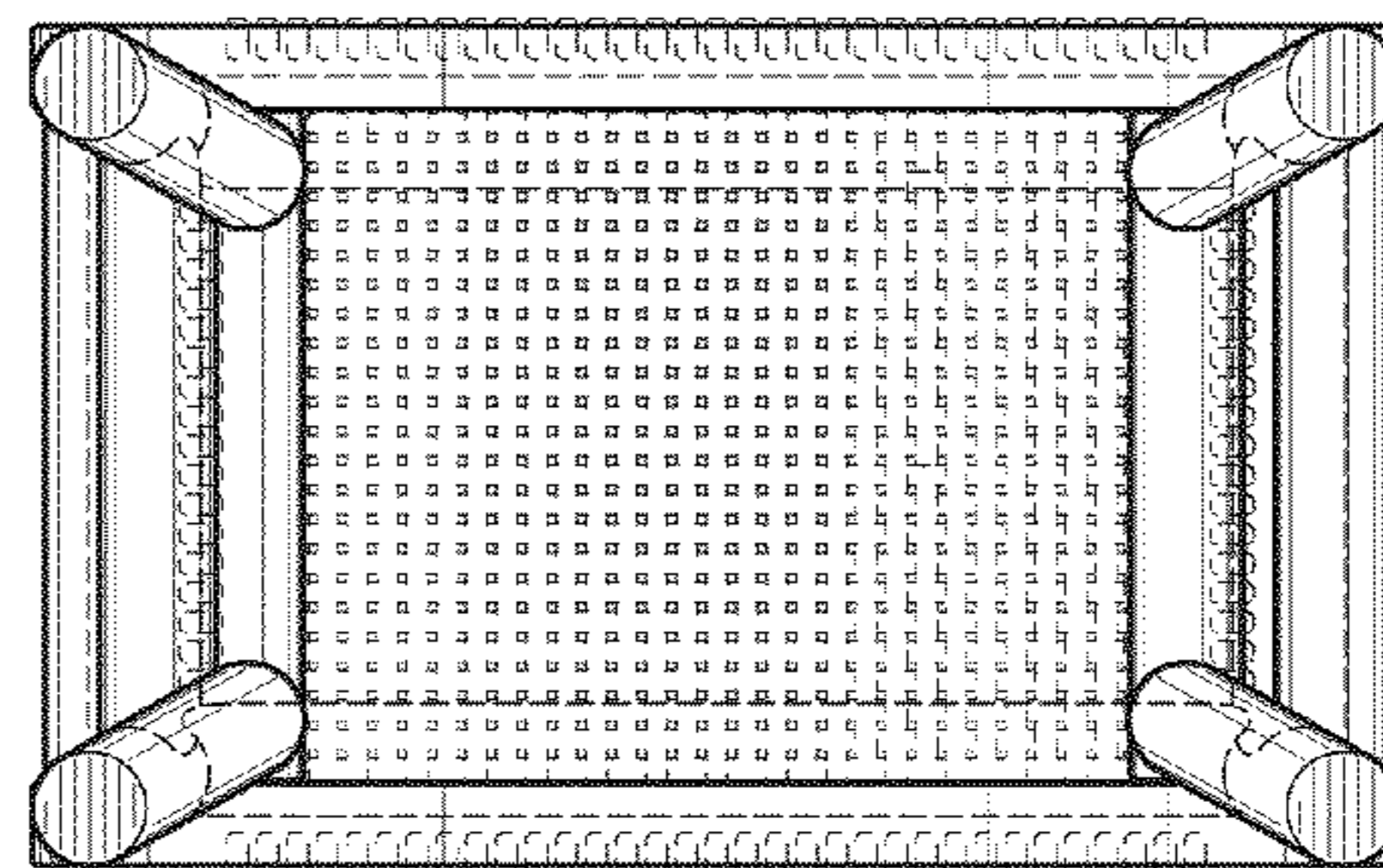


FIG. 7