



US00D704973S

(12) **United States Design Patent**
Denby et al.

(10) **Patent No.:** **US D704,973 S**

(45) **Date of Patent:** **** May 20, 2014**

(54) **PAIR OF SUPPORT LEGS**

(75) Inventors: **Scott Denby**, Minneapolis, MN (US);
Joseph R. Stukenberg, Minneapolis,
MN (US)

(73) Assignee: **Target Brands, Inc.**, Minneapolis, MN
(US)

(**) Term: **14 Years**

(21) Appl. No.: **29/430,685**

(22) Filed: **Aug. 29, 2012**

Related U.S. Application Data

(62) Division of application No. 29/393,746, filed on Jun. 8,
2011, now Pat. No. Des. 668,894.

(51) **LOC (10) Cl.** **06-06**

(52) **U.S. Cl.**
USPC **D6/708**

(58) **Field of Classification Search**

USPC D6/480-489, 708, 708.16, 332, 419,
D6/421, 422, 410, 411, 449, 462, 420, 681,
D6/681.1; 108/153.1, 156, 157.1, 161;
248/188, 188.1, 188.5, 188.7, 188.8,
248/165, 440.1; D20/41; 160/135; 52/239
See application file for complete search history.

(56) **References Cited**

U.S. PATENT DOCUMENTS

D133,220	S	7/1942	Reiss	
3,017,969	A	1/1962	Nielsen	
3,146,892	A *	9/1964	White	211/204
3,297,374	A	1/1967	Radek	
D212,482	S	10/1968	Lum et al.	
4,154,173	A *	5/1979	Chesnut	108/6
D282,799	S	3/1986	Doezema	
D318,389	S	7/1991	Hawkinson	
D345,242	S	3/1994	Bunn	
D400,361	S	11/1998	Sobrito	

D432,329	S *	10/2000	Chang	D6/420
D450,486	S	11/2001	Stafford et al.	
D452,784	S	1/2002	Lewis	
D495,523	S	9/2004	Harwanko	
D543,382	S	5/2007	Glassenberg et al.	
D544,730	S	6/2007	Stukenberg	
D554,391	S	11/2007	Kostigian	
D554,919	S	11/2007	Clark et al.	
D567,551	S	4/2008	Verbeek et al.	
D571,130	S	6/2008	Clark et al.	
D591,536	S	5/2009	Kumazawa	
D593,780	S	6/2009	Jeup	
D601,833	S	10/2009	Stukenberg	
D602,713	S	10/2009	Stukenberg	
D611,733	S	3/2010	Stukenberg	
D611,734	S	3/2010	Stukenberg et al.	
D611,735	S	3/2010	Stukenberg	
D640,485	S	6/2011	Dugger	
D668,894	S *	10/2012	Denby et al.	D6/495

* cited by examiner

Primary Examiner — Janice Seeger

(74) *Attorney, Agent, or Firm* — Griffiths & Seaton PLLC;
JoAnn M. Seaton

(57) **CLAIM**

The ornamental design for a pair of support legs, as shown
and described.

DESCRIPTION

FIG. 1 is a front, perspective view of a pair of support legs
showing our new design;

FIG. 2 is a front view thereof, the rear view being identical to
the front view;

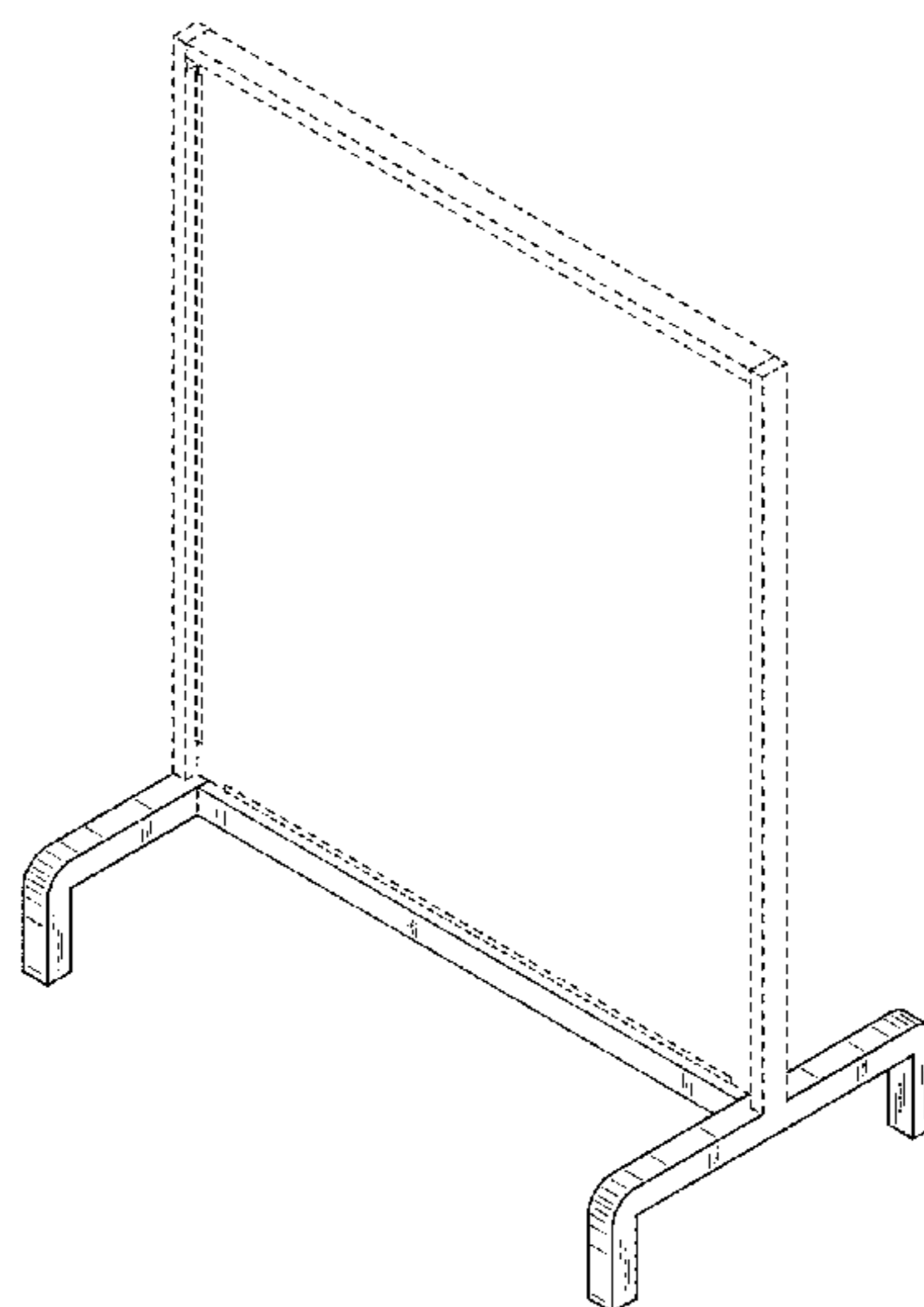
FIG. 3 is a right side view thereof, the left side view being
identical to the right side view;

FIG. 4 is a top view thereof; and,

FIG. 5 is a bottom view thereof.

The features shown in broken lines depict environmental
subject matter only and form no part of the claimed design.
Any surfaces obscured by the broken line showings are simi-
larly disclaimed.

1 Claim, 4 Drawing Sheets



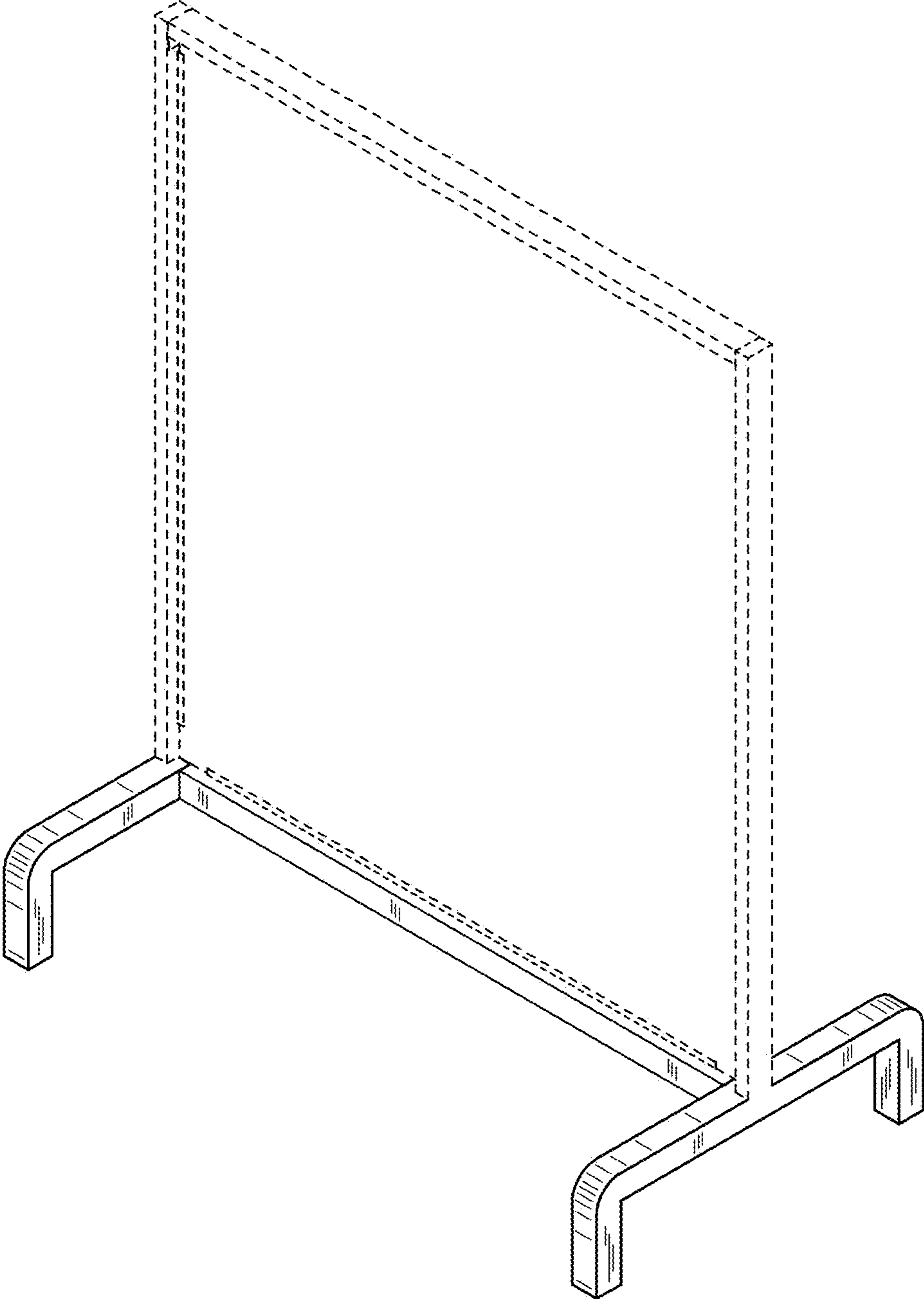


FIG. 1

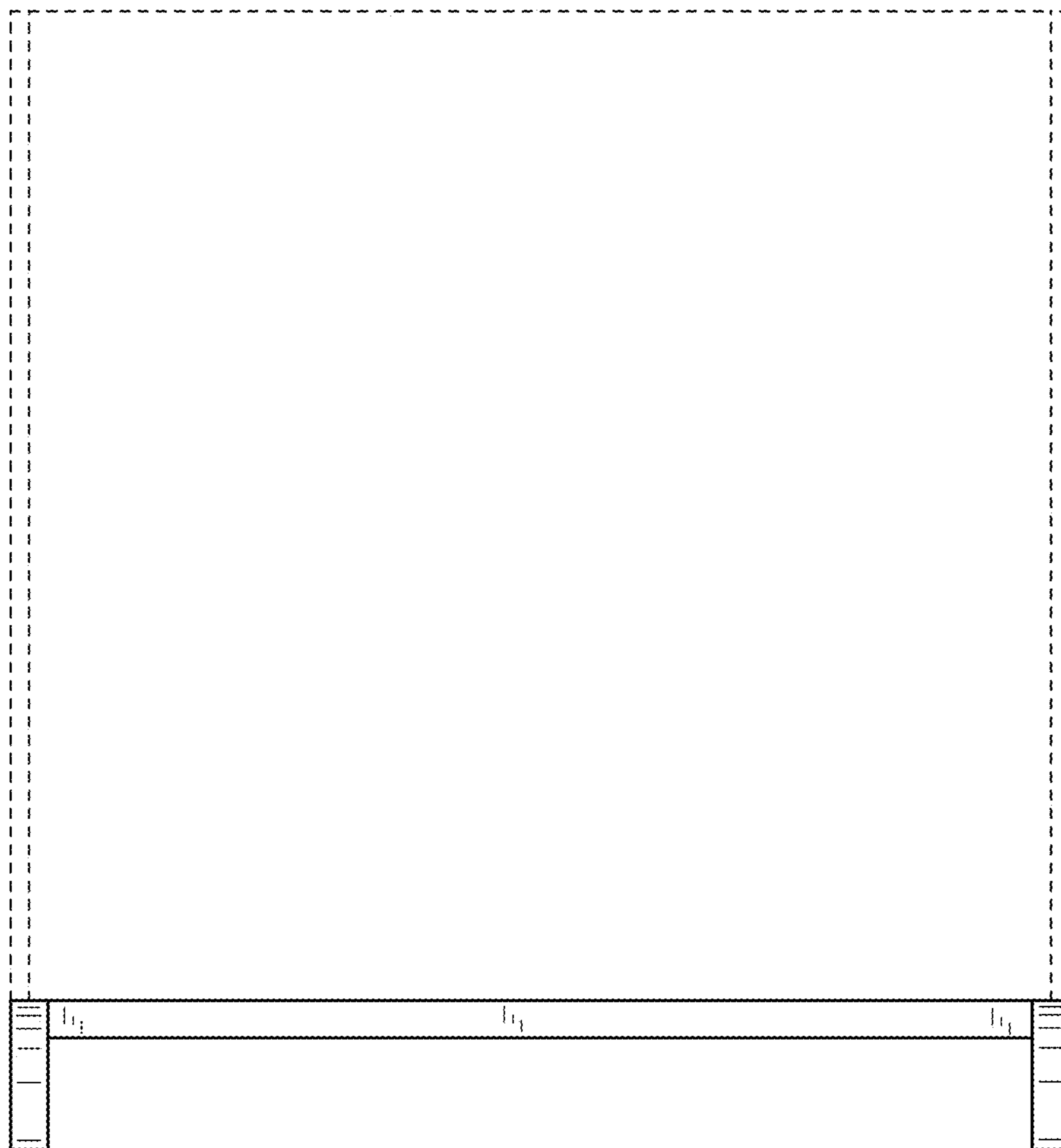


FIG. 2

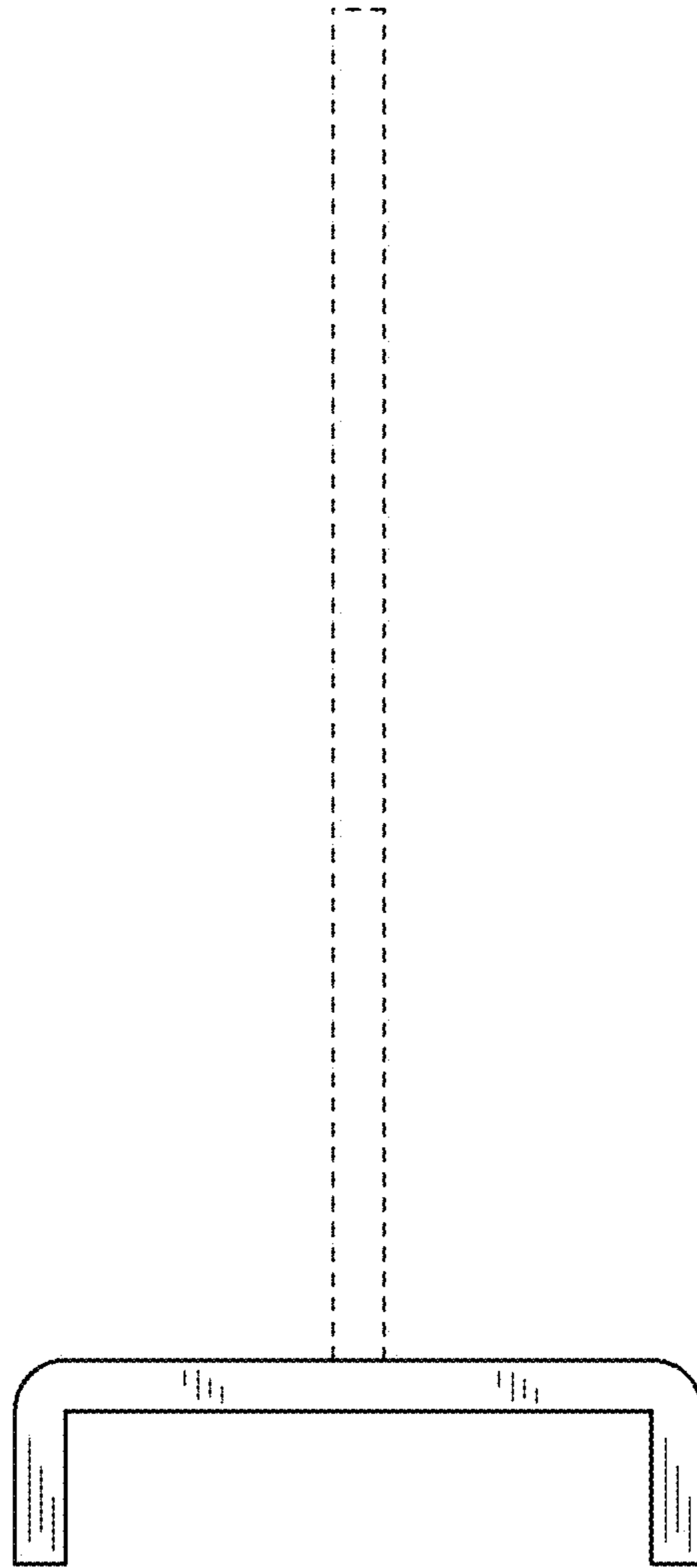


FIG. 3



FIG. 4

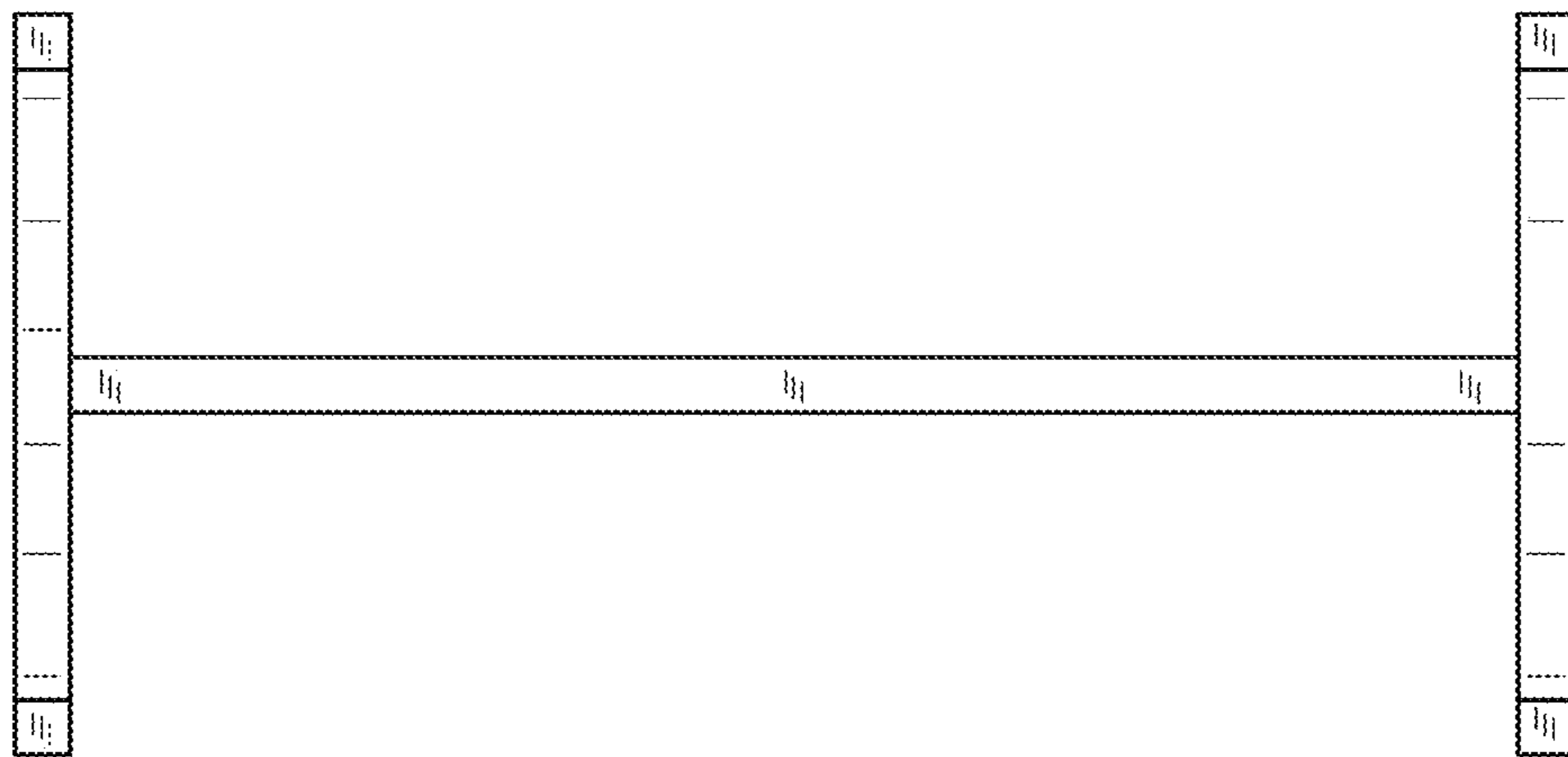


FIG. 5