



US00D704969S

(12) **United States Design Patent**  
**Zhou et al.**

(10) **Patent No.:** **US D704,969 S**

(45) **Date of Patent:** **\*\* May 20, 2014**

(54) **TABLE WITH ROUND DECORATIVE TOP  
AND ARCUATE LEGS**

(75) Inventors: **Lisa Zhou**, Bradbury, CA (US); **Jan  
Trinkley**, Ontario, CA (US); **Ruirui  
Chang**, Teda (CN)

(73) Assignee: **Genercon Corporation**, Ontario, CA  
(US)

(\*\*) Term: **14 Years**

(21) Appl. No.: **29/430,517**

(22) Filed: **Aug. 27, 2012**

(51) **LOC (10) Cl.** ..... **06-03**

(52) **U.S. Cl.**  
USPC ..... **D6/688.12; D6/688.19; D6/688.21**

(58) **Field of Classification Search**  
USPC ..... D6/685, 686, 688, 688.11, 688.12,  
D6/388.14, 688.15, 688.16, 688.19, 688.2,  
D6/688.21, 688.22, 688.23, 692, 692.1,  
D6/692.4, 708, 708.1, 708.14, 709, 709.15,  
D6/709.2; 108/150, 153.1, 156, 157.1,  
108/158.11, 161; 248/188, 188.1, 188.7,  
248/188.8

See application file for complete search history.

(56) **References Cited**

U.S. PATENT DOCUMENTS

D83,339 S	*	2/1931	Moore et al. ....	D6/486
D178,884 S	*	10/1956	Jones et al. ....	D6/451
D411,393 S	*	6/1999	Mendoza .....	D6/480
D431,397 S	*	10/2000	Li .....	D6/480
D492,522 S	*	7/2004	Butler .....	D6/511
D503,863 S	*	4/2005	Vanderminden, Sr. ....	D6/487
D544,256 S	*	6/2007	Chen .....	D6/488
D625,531 S	*	10/2010	Everson .....	D6/487

\* cited by examiner

*Primary Examiner* — Janice Seeger

(74) *Attorney, Agent, or Firm* — Thomas I. Rozsa

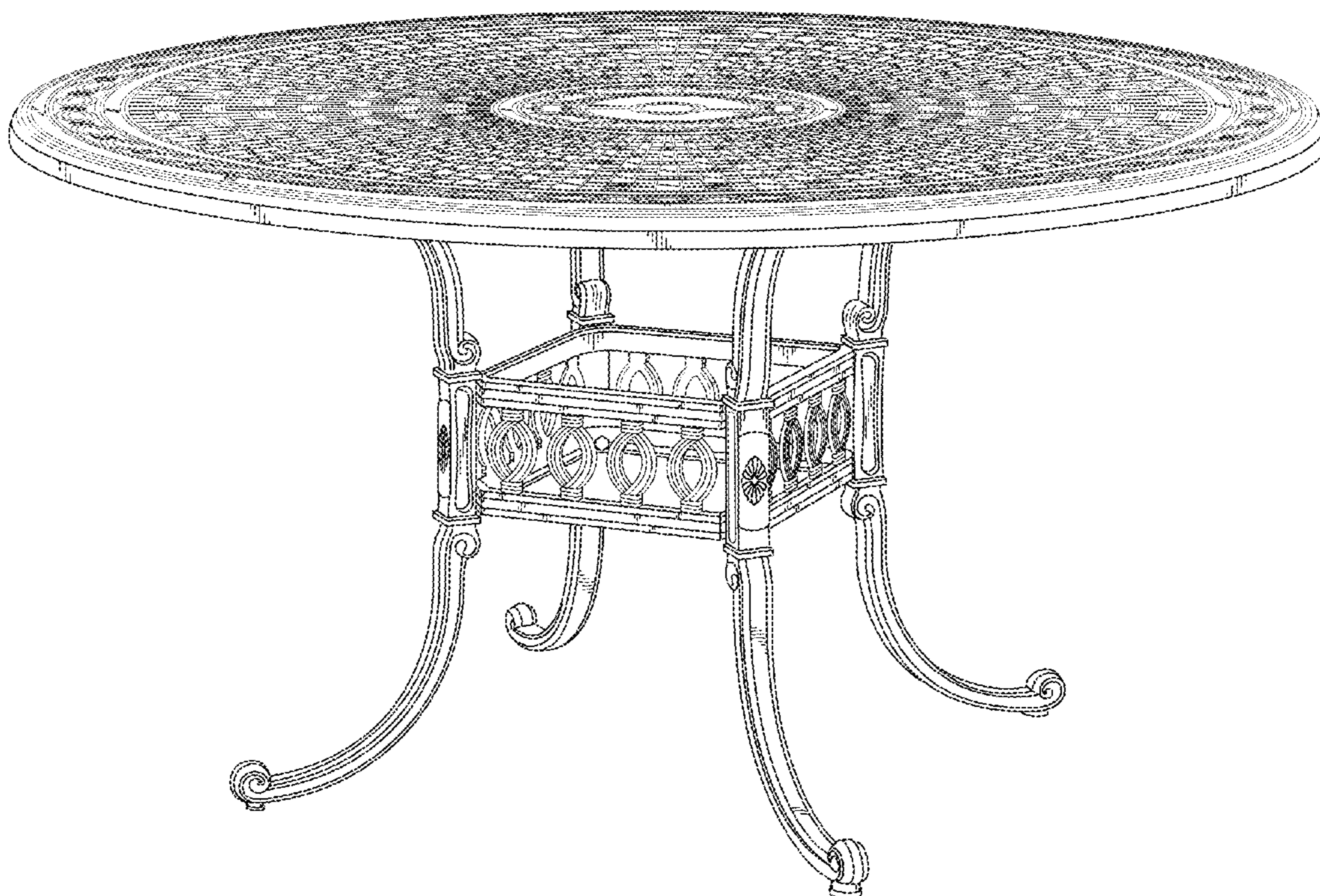
(57) **CLAIM**

The ornamental design for a table with round decorative top and arcuate legs, as shown and described.

**DESCRIPTION**

FIG. 1 is a perspective view of a table with round decorative top and arcuate legs, showing our new design; FIG. 2 is an elevational view of the front thereof, the view of the back being the same; FIG. 3 is an elevational view of the top thereof; and, FIG. 4 is an elevational view of the right side thereof, the view from the left side being the same. The bottom of the table, not shown, forms no part of the claimed design.

**1 Claim, 4 Drawing Sheets**



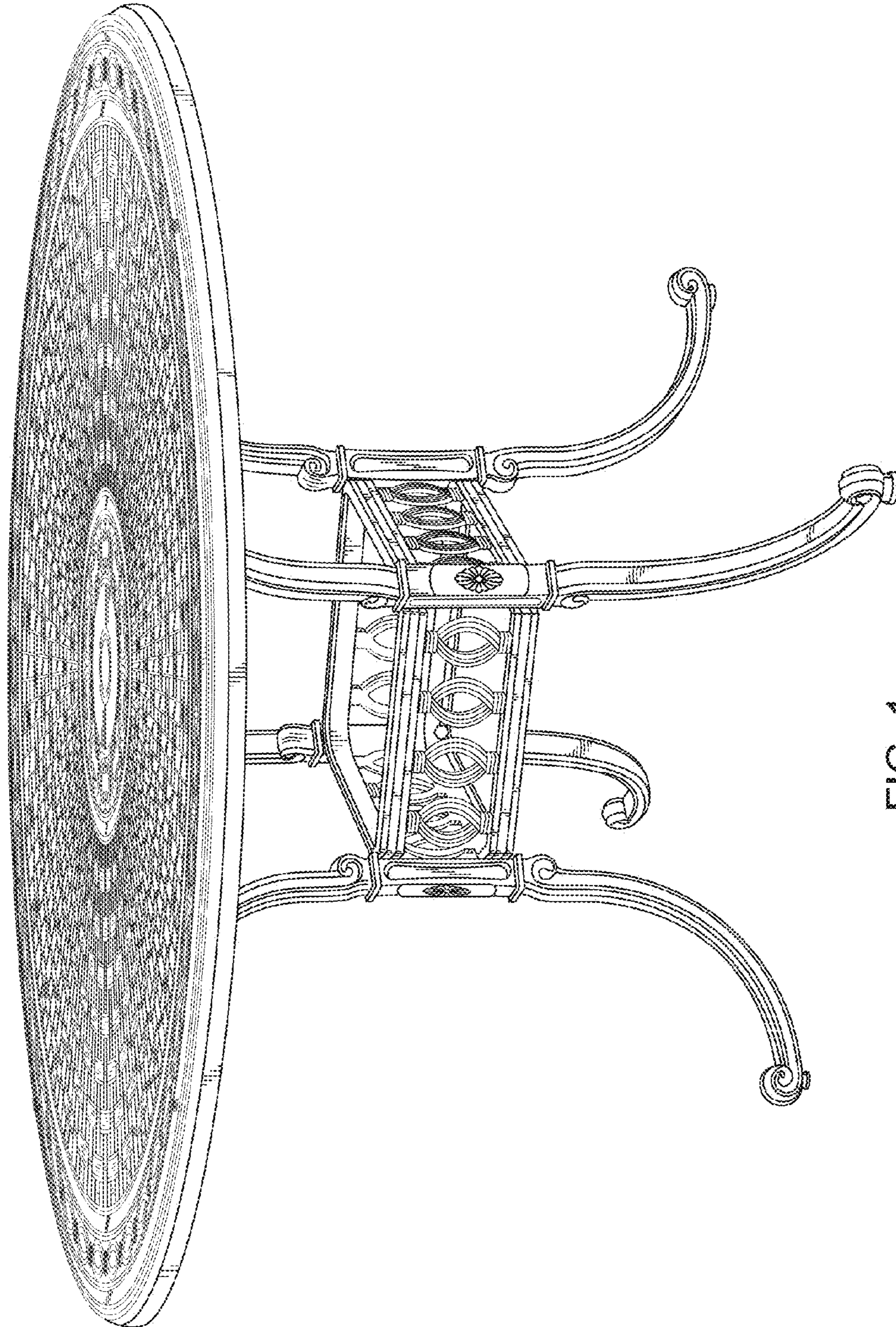


FIG. 1

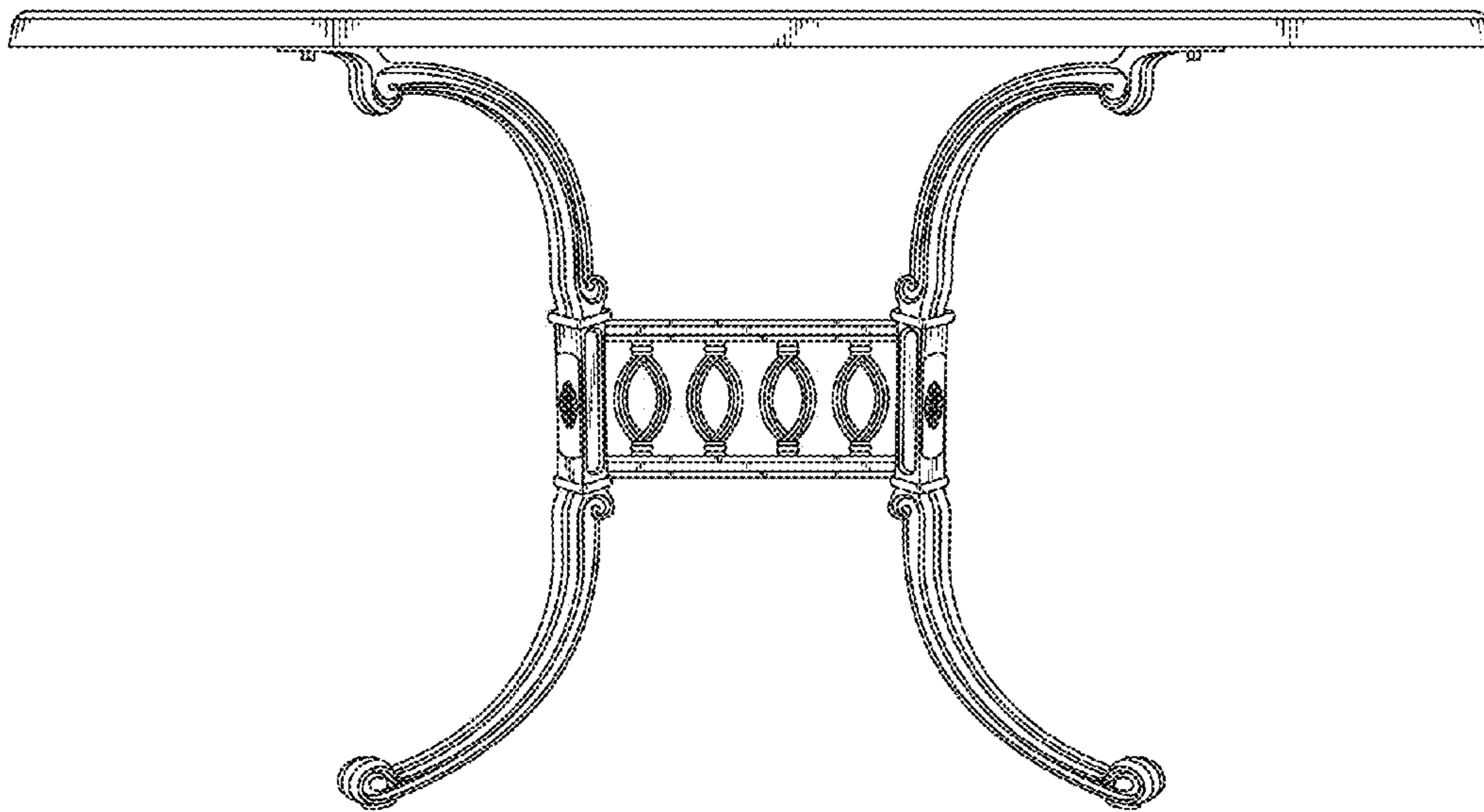


FIG. 2

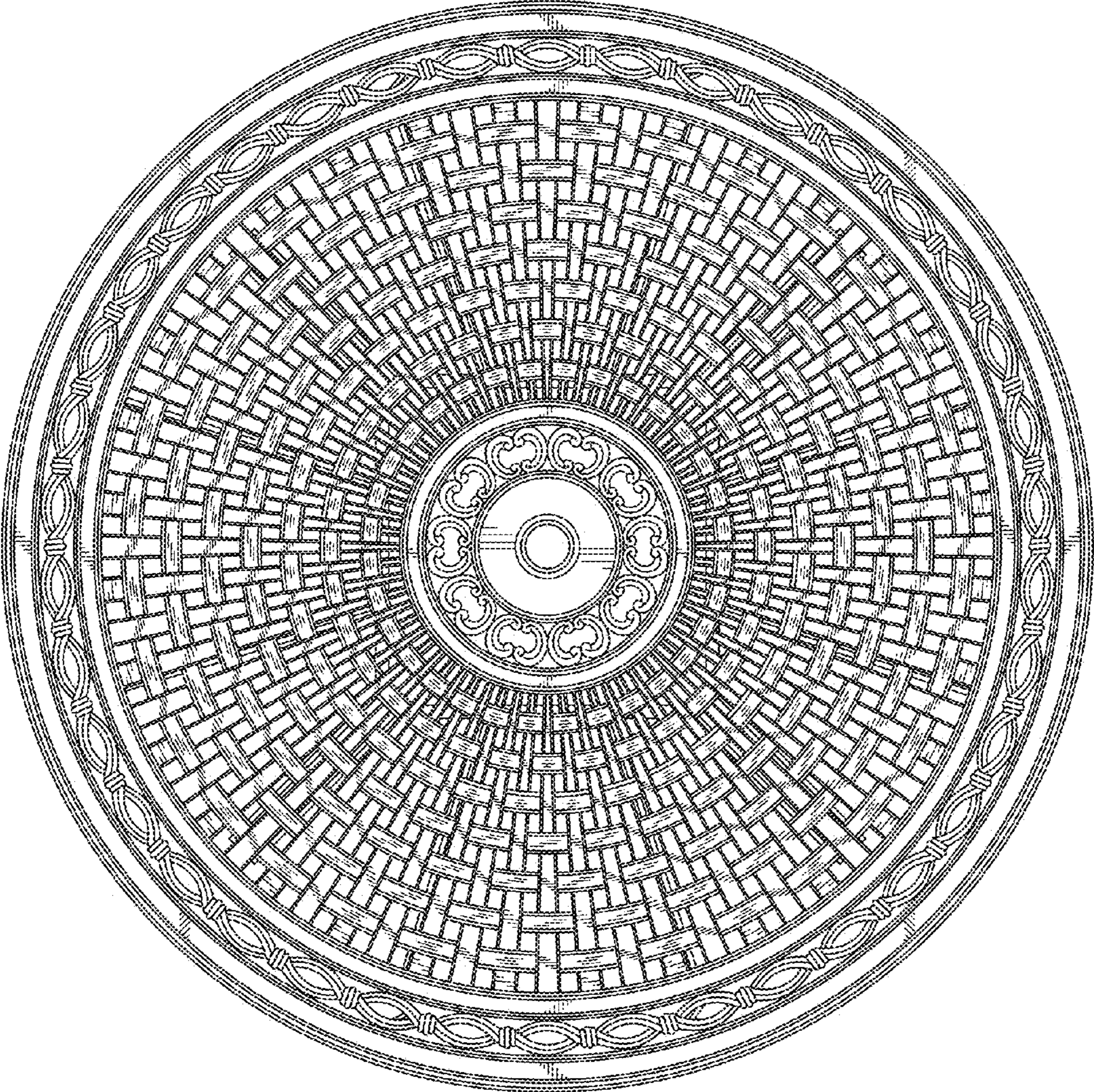


FIG. 3

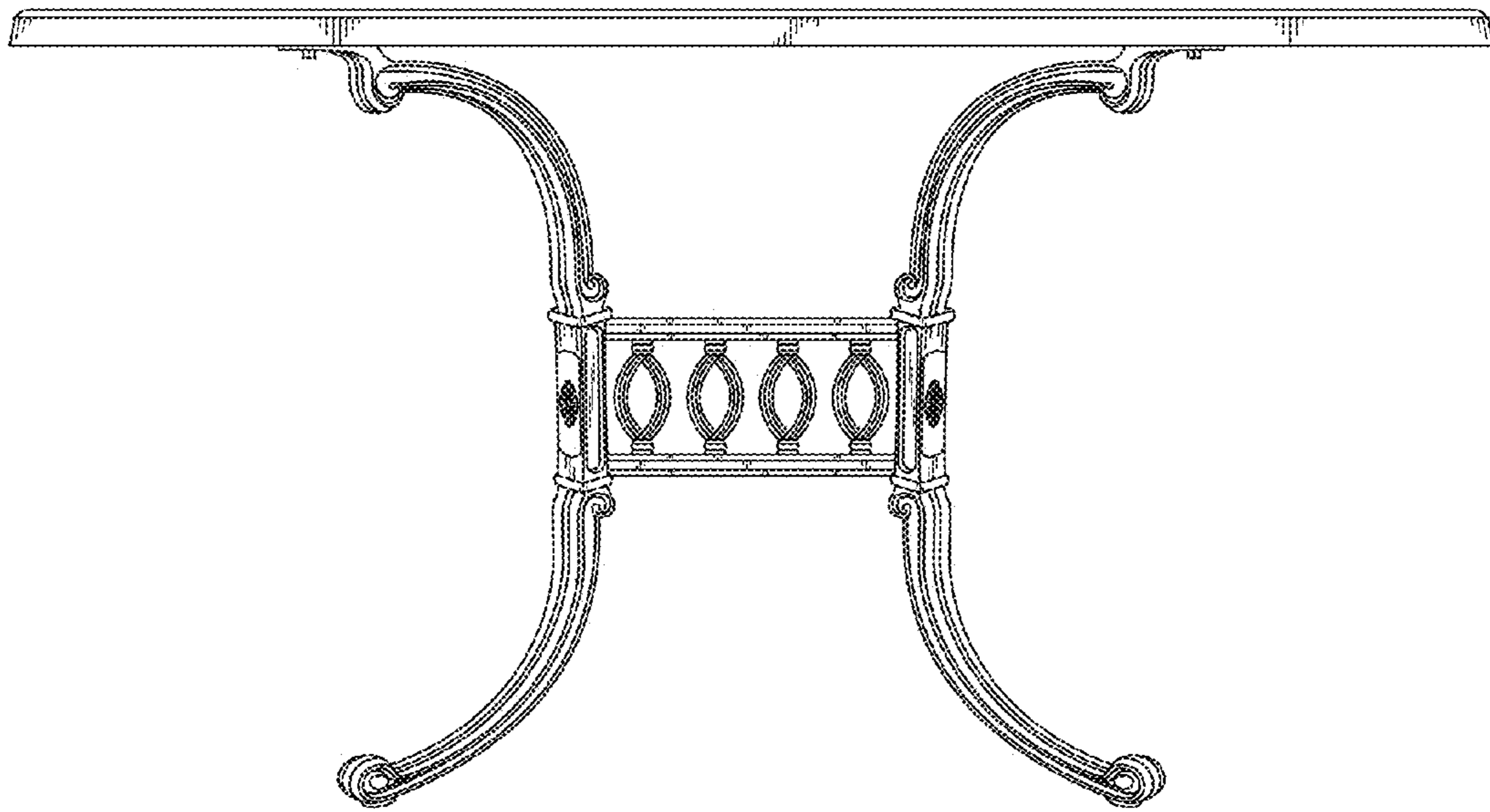


FIG. 4