



US00D704966S

(12) **United States Design Patent**
Korb

(10) **Patent No.:** **US D704,966 S**

(45) **Date of Patent:** **** May 20, 2014**

(54) **MOVABLE CABINET**

(75) Inventor: **Daniel Korb**, Baden (CH)

(73) Assignee: **DSA International, Inc.**, Zeeland, MI (US)

(**) Term: **14 Years**

(21) Appl. No.: **29/420,699**

(22) Filed: **May 11, 2012**

(51) **LOC (10) Cl.** **06-04**

(52) **U.S. Cl.**

USPC **D6/660**

(58) **Field of Classification Search**

USPC D6/657-666, 668.2, 671, 671.1, 671.2, D6/681, 691.8, 702-703, 703.1, 704-705; D13/184; D14/168; 312/114, 117, 312/138.1, 257.1, 260-261

See application file for complete search history.

(56) **References Cited**

U.S. PATENT DOCUMENTS

D90,639 S	9/1933	Williams	D6/446
D113,012 S	1/1939	Morgan	D6/446
D159,488 S	8/1950	Jiranek	D6/446
D233,292 S	10/1974	Rosen	D6/446
D300,487 S *	4/1989	Dyer	D6/446
D313,709 S *	1/1991	Offredi	D6/446

(Continued)

Primary Examiner — Ricky Pham

(74) *Attorney, Agent, or Firm* — Taft Stettinius & Hollister LLP

(57) **CLAIM**

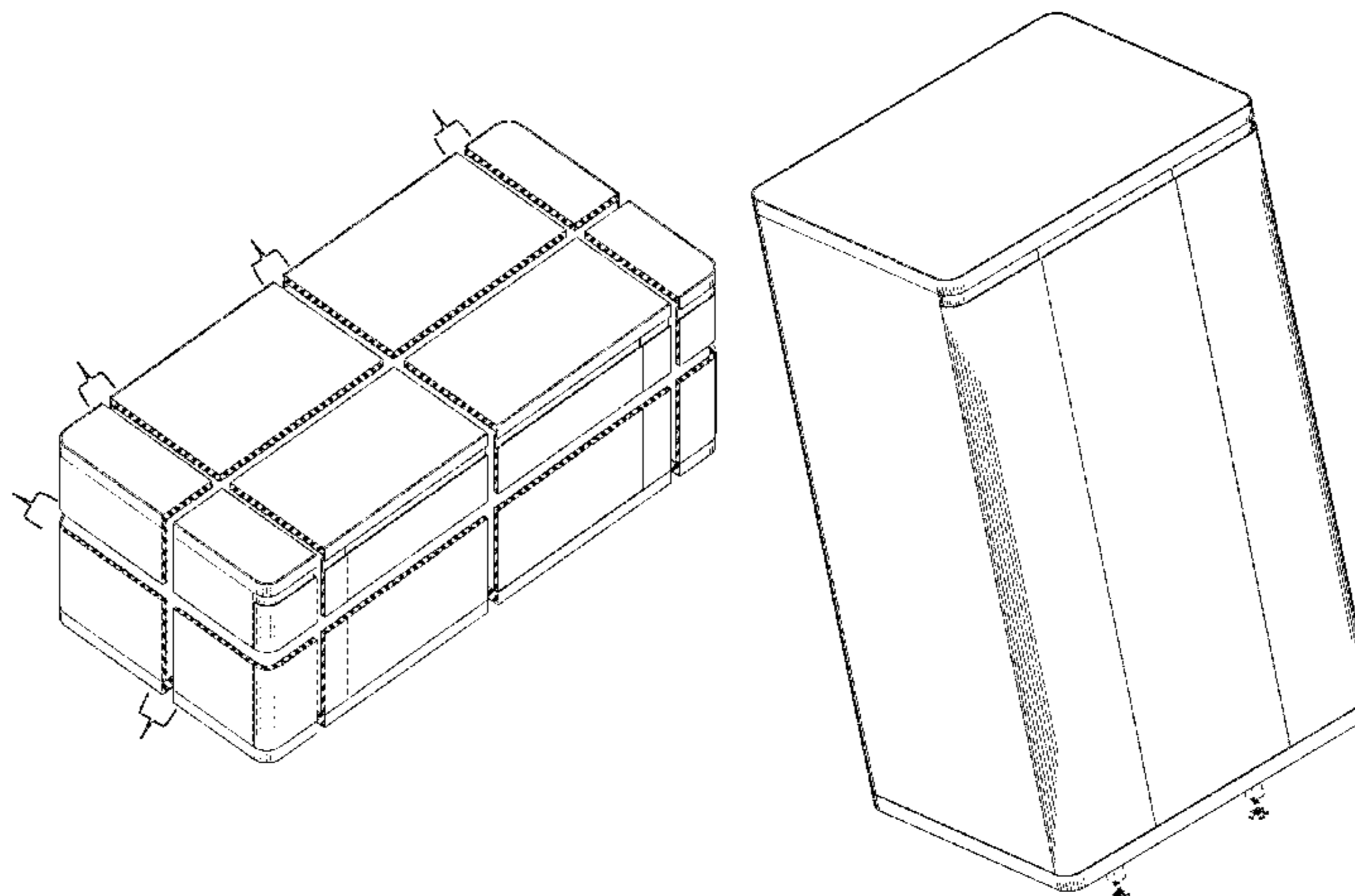
The ornamental design for a movable cabinet, as shown and described.

DESCRIPTION

FIG. 1 is a front elevational view of a movable cabinet, showing my new design;

FIG. 2 is a side elevational view thereof;
 FIG. 3 is a back elevational view thereof;
 FIG. 4 is a bottom plan view thereof;
 FIG. 5 is a top plan view thereof;
 FIG. 6 is a front perspective view thereof;
 FIG. 7 is a perspective view thereof;
 FIG. 8 is a side perspective view thereof;
 FIG. 9 is a first partial perspective view thereof;
 FIG. 10 is a second partial perspective view thereof;
 FIG. 11 is a front elevational view of a movable cabinet, showing a second embodiment of my new design;
 FIG. 12 is a side elevational view thereof;
 FIG. 13 is a back elevational view thereof;
 FIG. 14 is a bottom plan view thereof;
 FIG. 15 is a top plan view thereof;
 FIG. 16 is a front perspective view thereof;
 FIG. 17 is a side perspective view thereof;
 FIG. 18 is a back perspective view thereof;
 FIG. 19 is a first partial perspective view thereof;
 The second embodiment of my design is also represented by FIG. 9;
 FIG. 20 is a perspective view of a movable cabinet, showing a third embodiment of my design, the third embodiment is also represented by FIGS. 9 and 11 through 18;
 FIG. 21 is a front elevational view of a movable cabinet, showing a fourth embodiment of my design;
 FIG. 22 is a perspective view thereof;
 FIG. 23 is a bottom perspective view thereof;
 The fourth embodiment of my design is also represented by FIGS. 9, 14, and 15;
 FIG. 24 is a front elevational view of a movable cabinet, showing a fifth embodiment of my design;
 FIG. 25 is a front perspective view thereof;
 FIG. 26 is a first perspective view thereof;
 FIG. 27 is a second perspective view thereof; and,
 FIG. 28 is a bottom perspective view thereof.
 The fifth embodiment of my design is also represented by FIGS. 9, 12-15, 17, and 18.
 The broken lines shown in the figures are for illustrative purposes only and form no part of the claimed design.

1 Claim, 28 Drawing Sheets



(56)

References Cited

U.S. PATENT DOCUMENTS

D314,211 S	1/1991	Bankier	D18/59	D562,586 S *	2/2008	Parker	D6/433
D334,852 S *	4/1993	Beirise	D6/436	D567,537 S	4/2008	Mehmen	D6/441
D336,392 S *	6/1993	Whalen	D6/446	D580,195 S *	11/2008	Daino et al.	D6/494
D365,225 S *	12/1995	Poortvliet et al.	D6/446	D605,424 S *	12/2009	Lovegrove	D6/445
D459,614 S *	7/2002	Grosfillex	D6/446	D606,331 S *	12/2009	Wicha	D6/437
D477,474 S *	7/2003	Milligan	D6/446	D613,973 S *	4/2010	Holcomb	D6/494
D510,206 S	10/2005	Jennings	D6/441	D615,325 S *	5/2010	Holcomb	D6/494
D518,310 S	4/2006	Mehmen	D6/441	D622,976 S *	9/2010	Lovegrove	D6/446
D520,264 S	5/2006	Mehmen	D6/441	D633,729 S *	3/2011	Bauchet	D6/436
D522,773 S	6/2006	Becker	D6/470	D634,562 S *	3/2011	Bauchet	D6/436
D534,379 S *	1/2007	Juneau	D6/484	D645,427 S *	9/2011	Delakowitz	D13/184
D542,057 S	5/2007	Juneau	D6/446	D649,376 S *	11/2011	Borgonovo	D6/441
D547,297 S *	7/2007	Nakamura	D14/168	D668,078 S *	10/2012	Daino et al.	D6/441
D560,930 S *	2/2008	Woodward et al.	D6/446	D686,015 S *	7/2013	Arko et al.	D6/702
				D688,493 S *	8/2013	Woods	D6/661
				D690,142 S *	9/2013	Arko et al.	D6/681
				2003/0127956 A1 *	7/2003	Stoever	312/257.1

* cited by examiner

FIG. 1

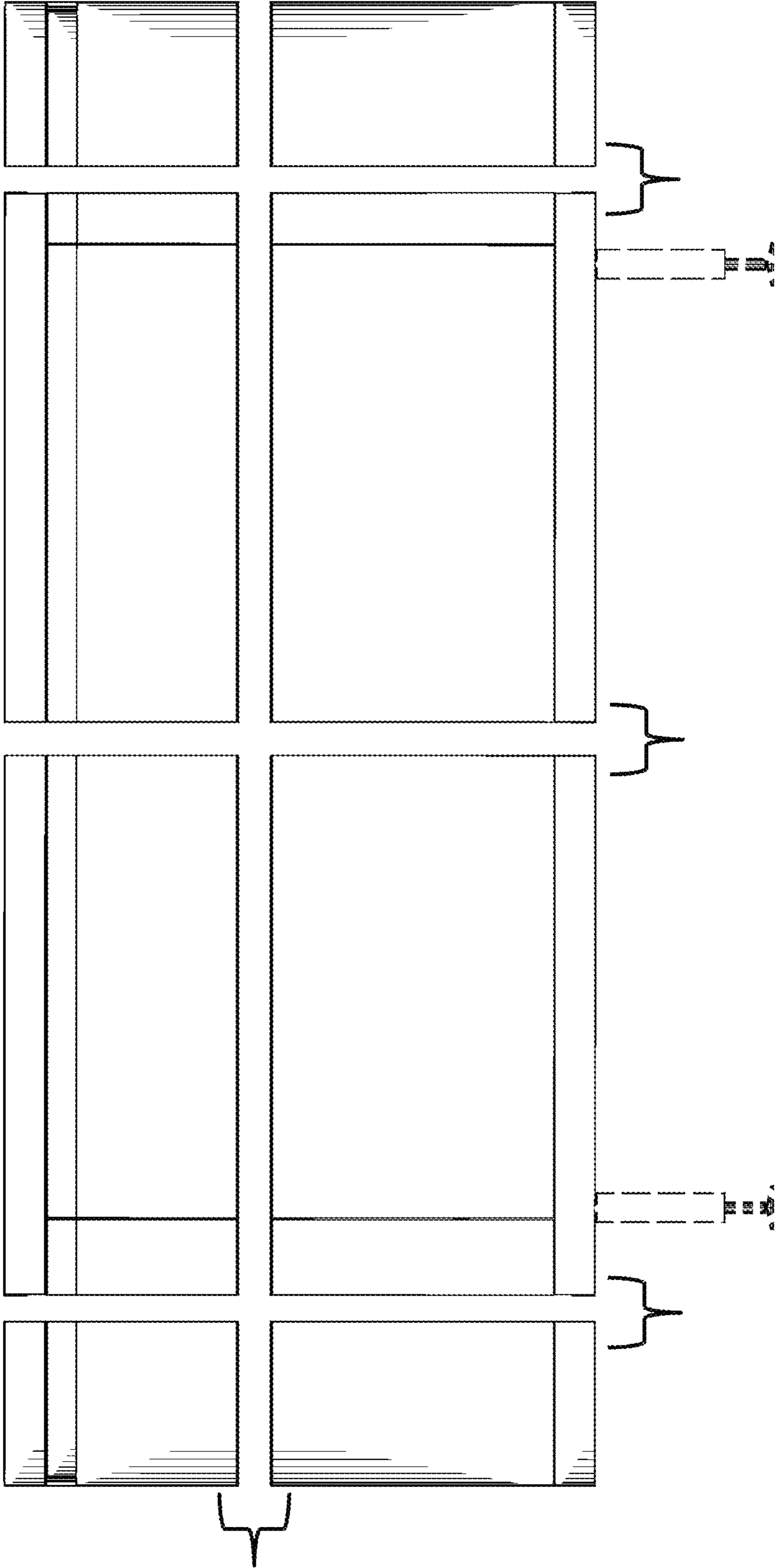


FIG. 2

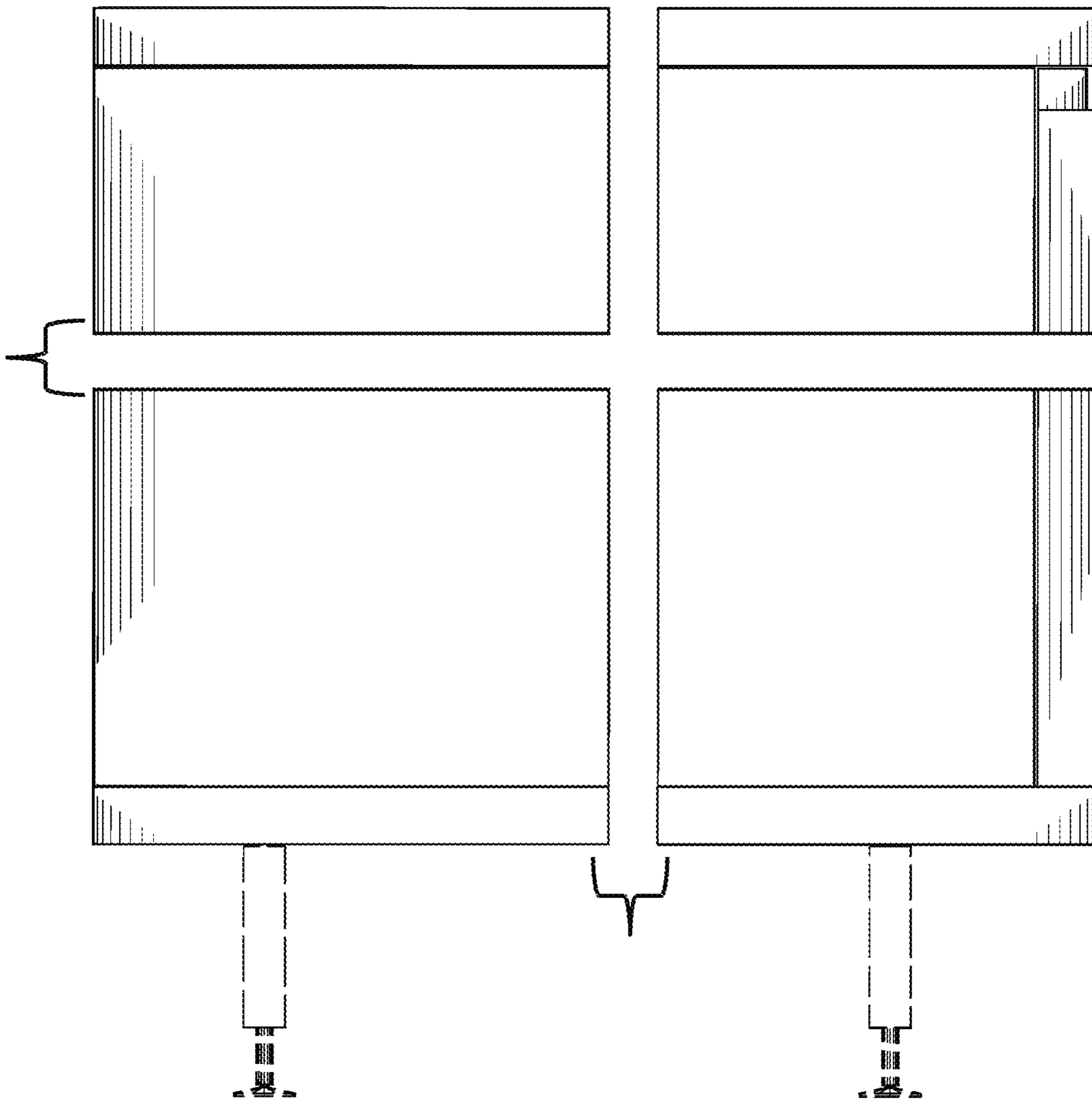


FIG. 3

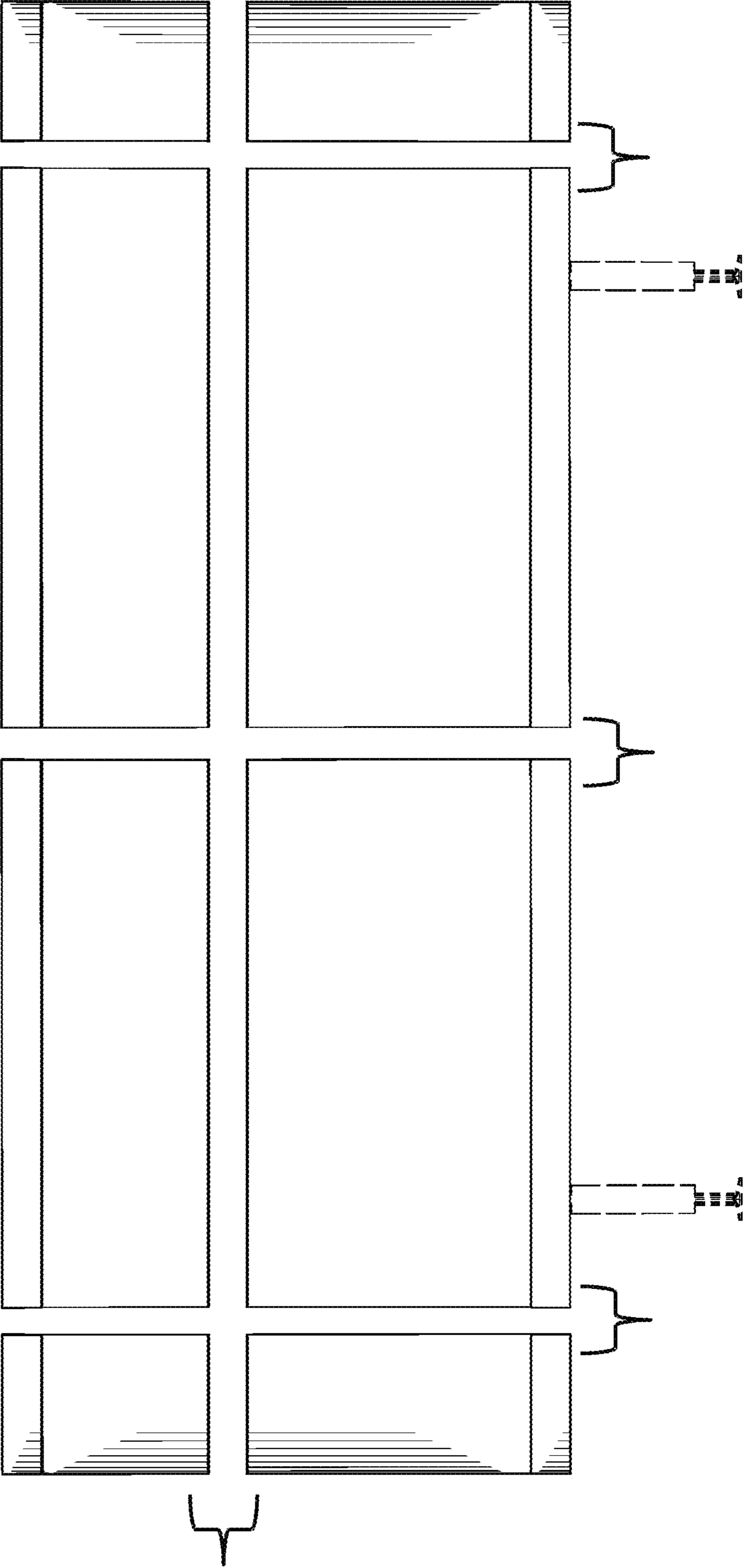


FIG. 4

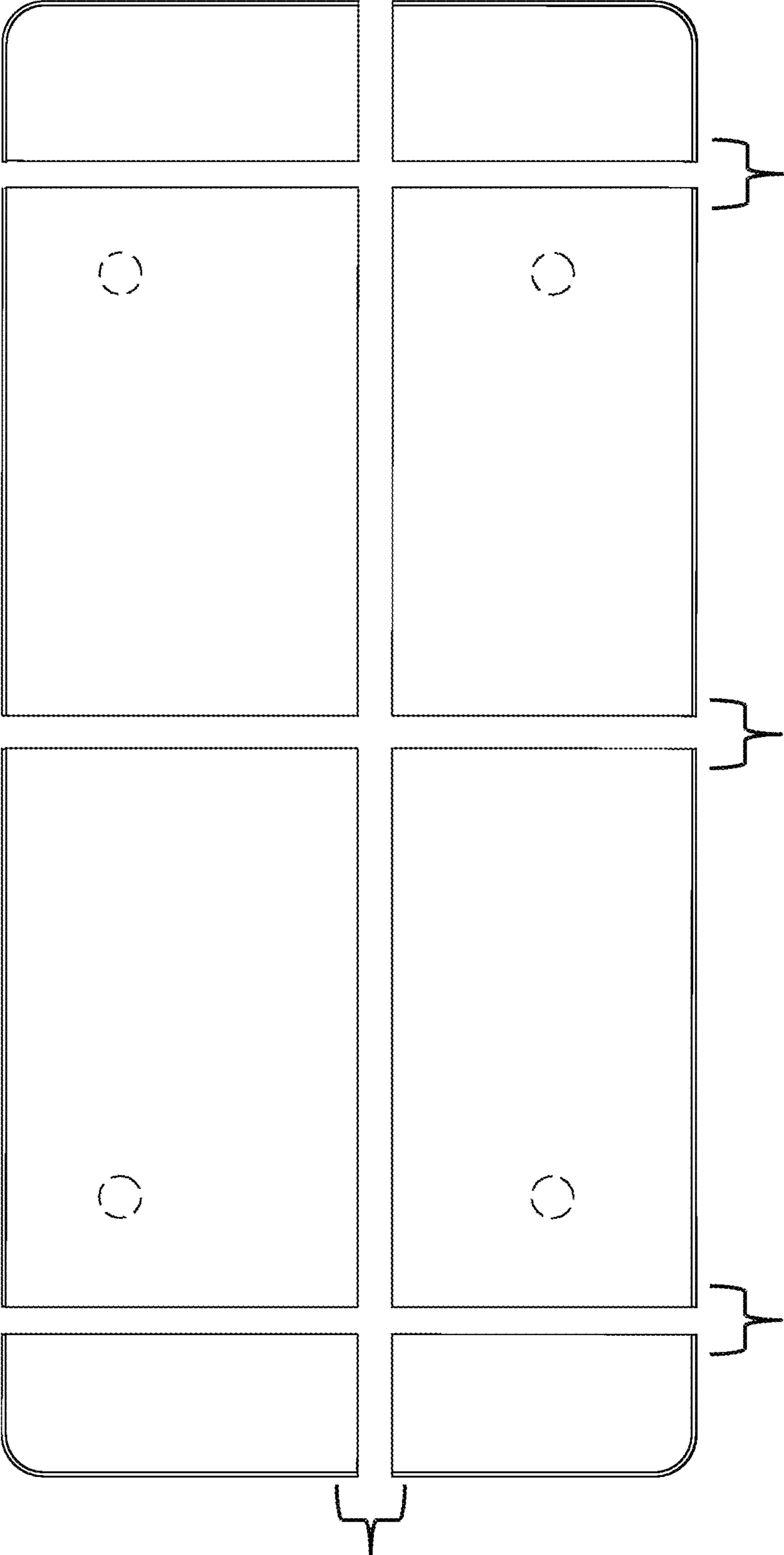


FIG. 5

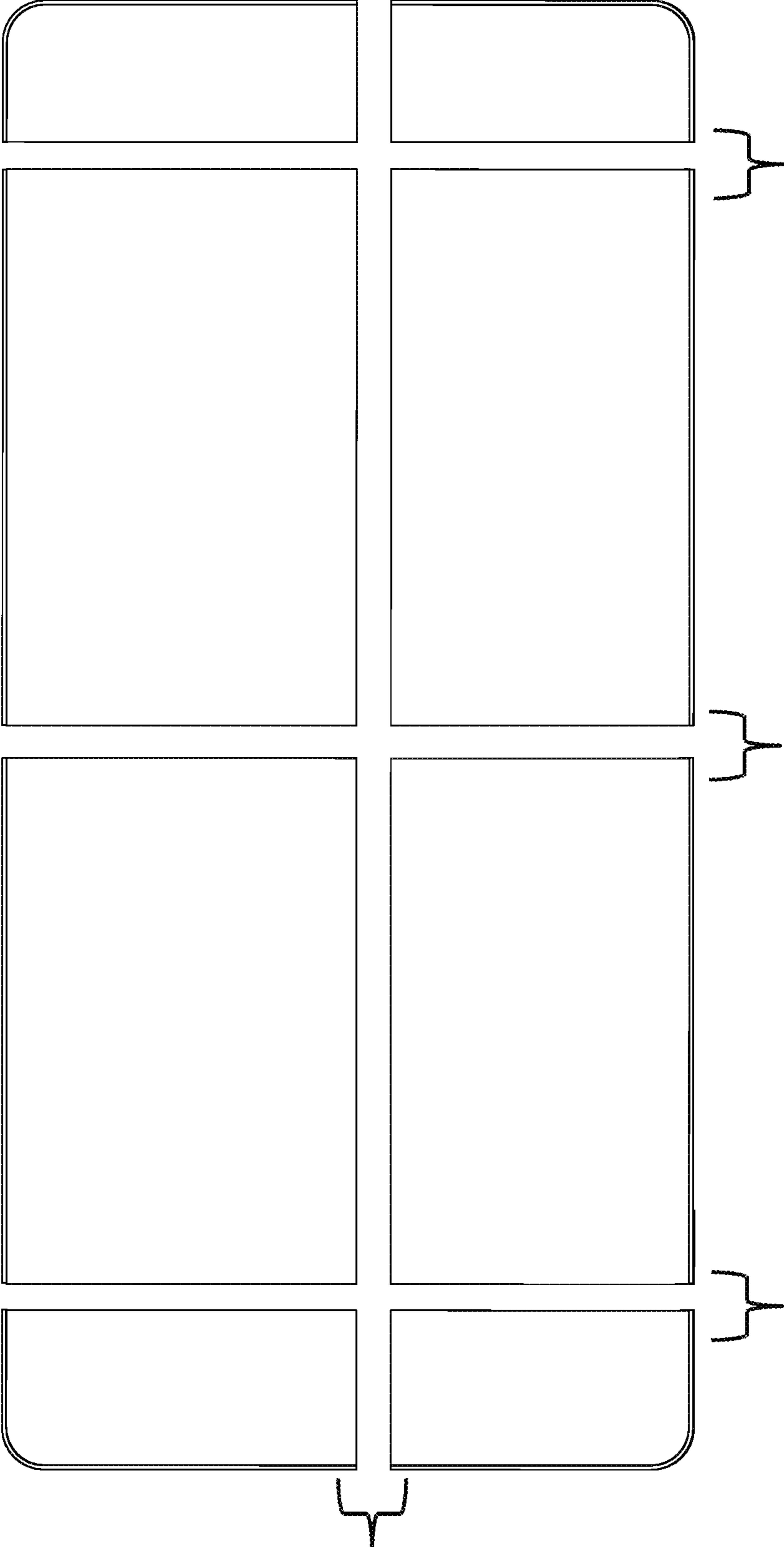
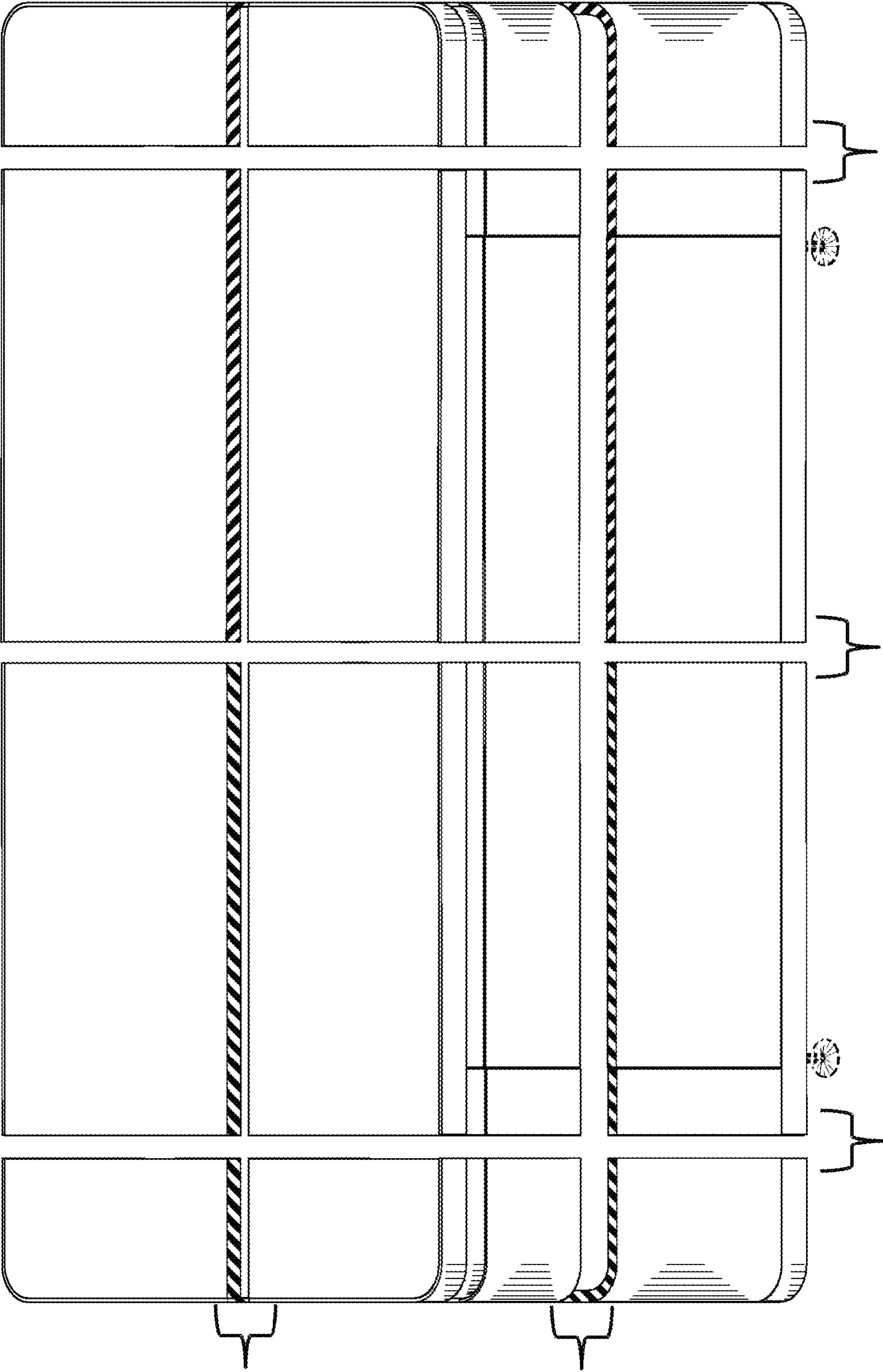


FIG. 6



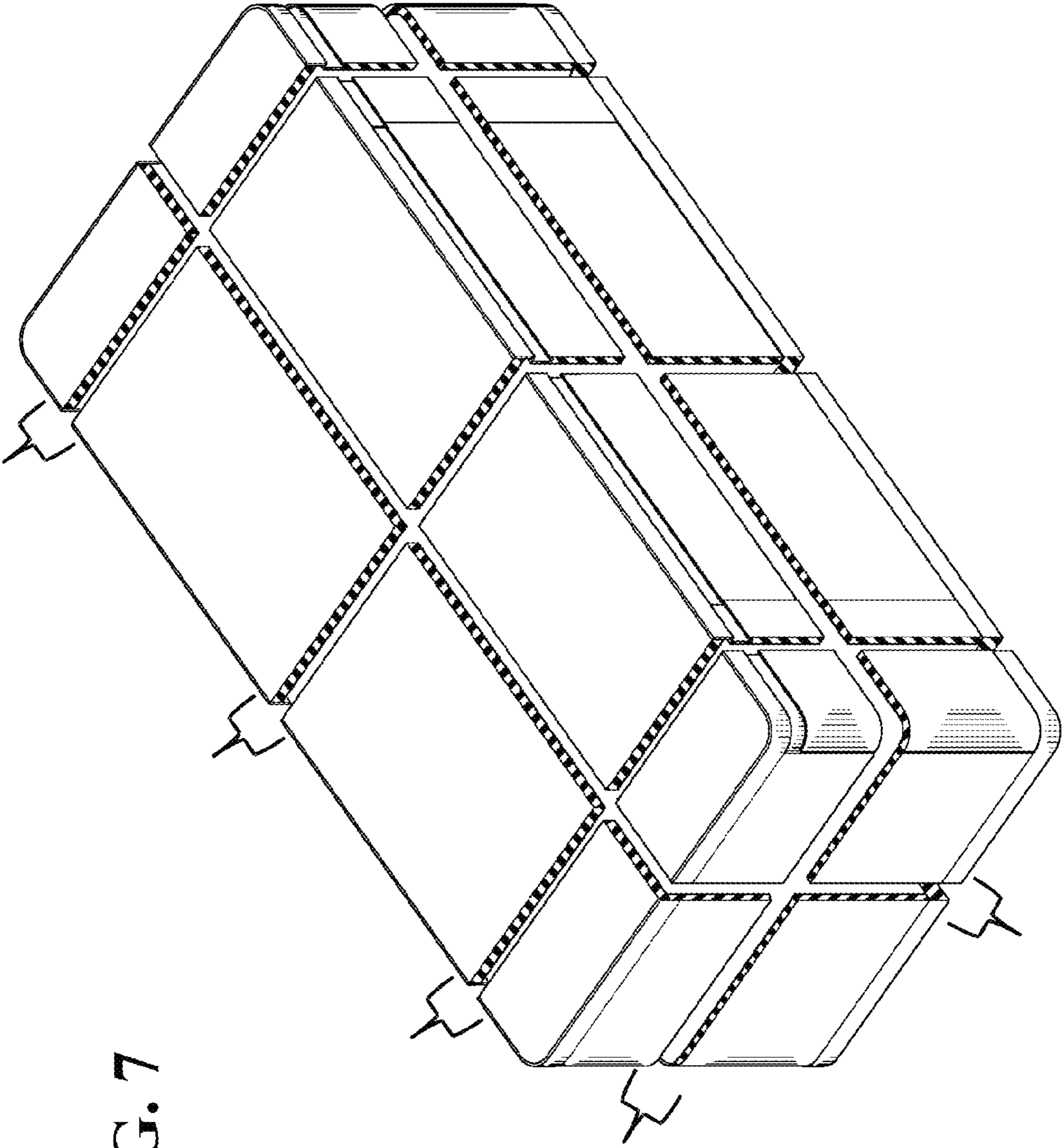


FIG. 7

FIG. 8

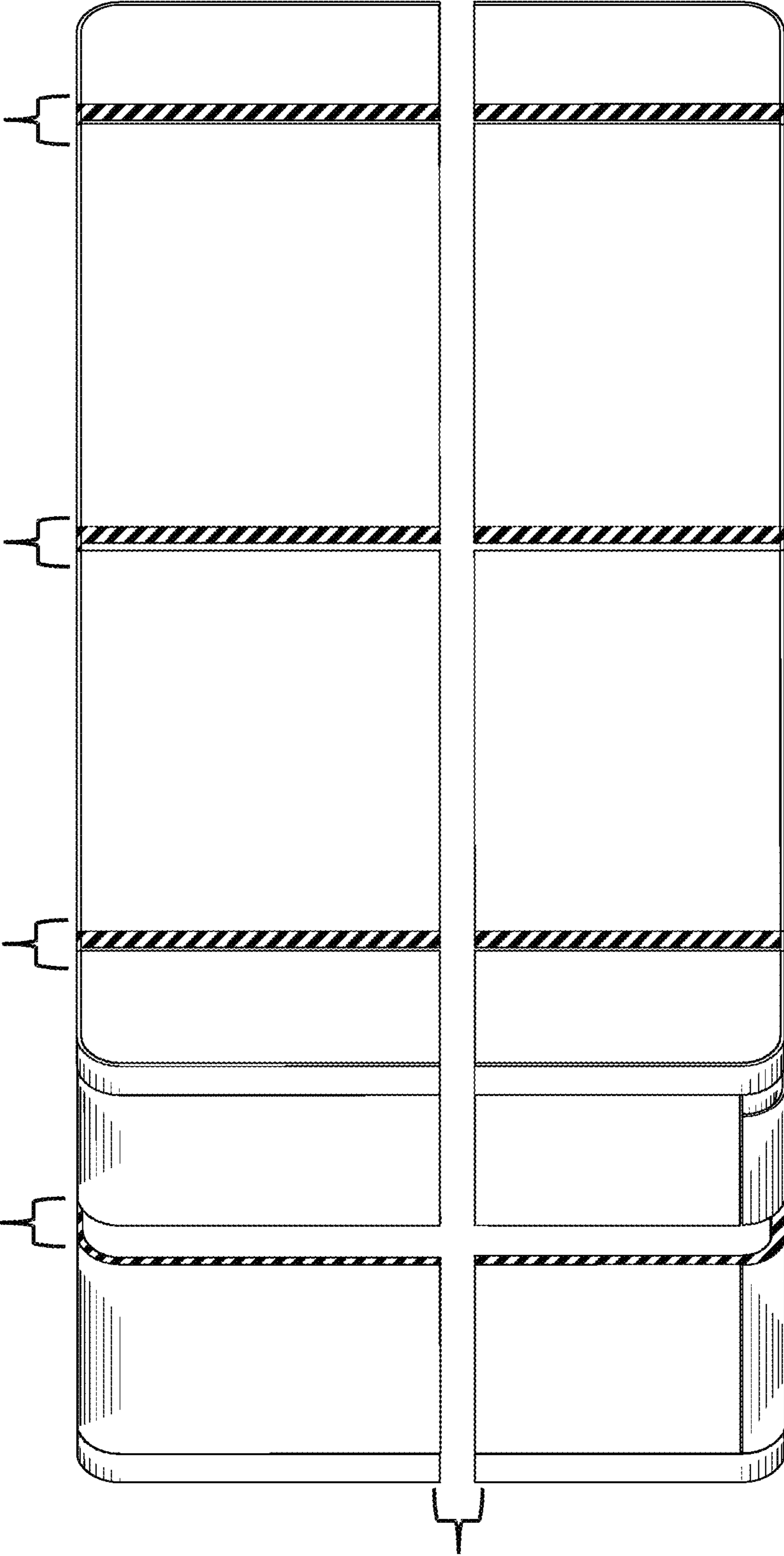


FIG. 9

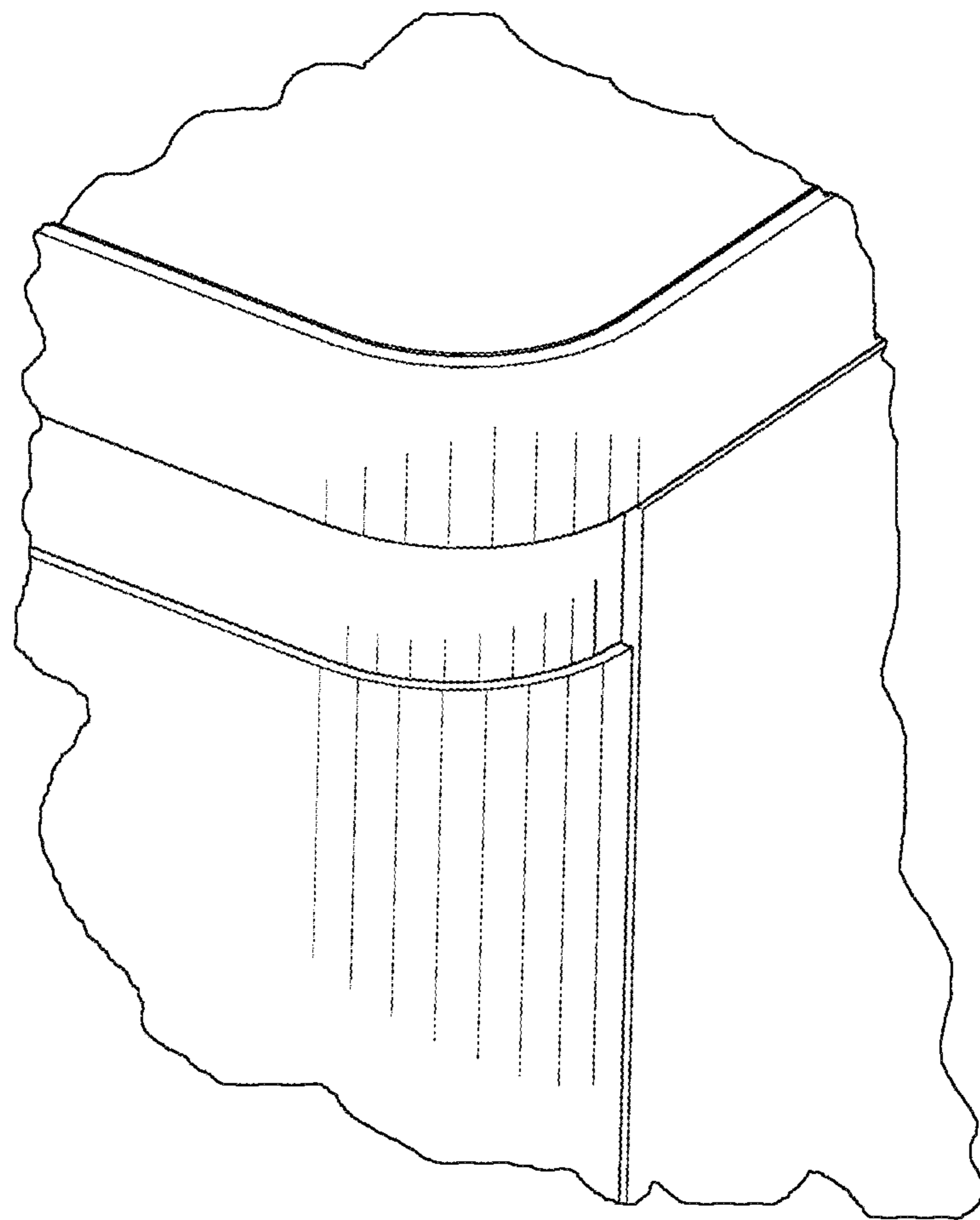


FIG. 10

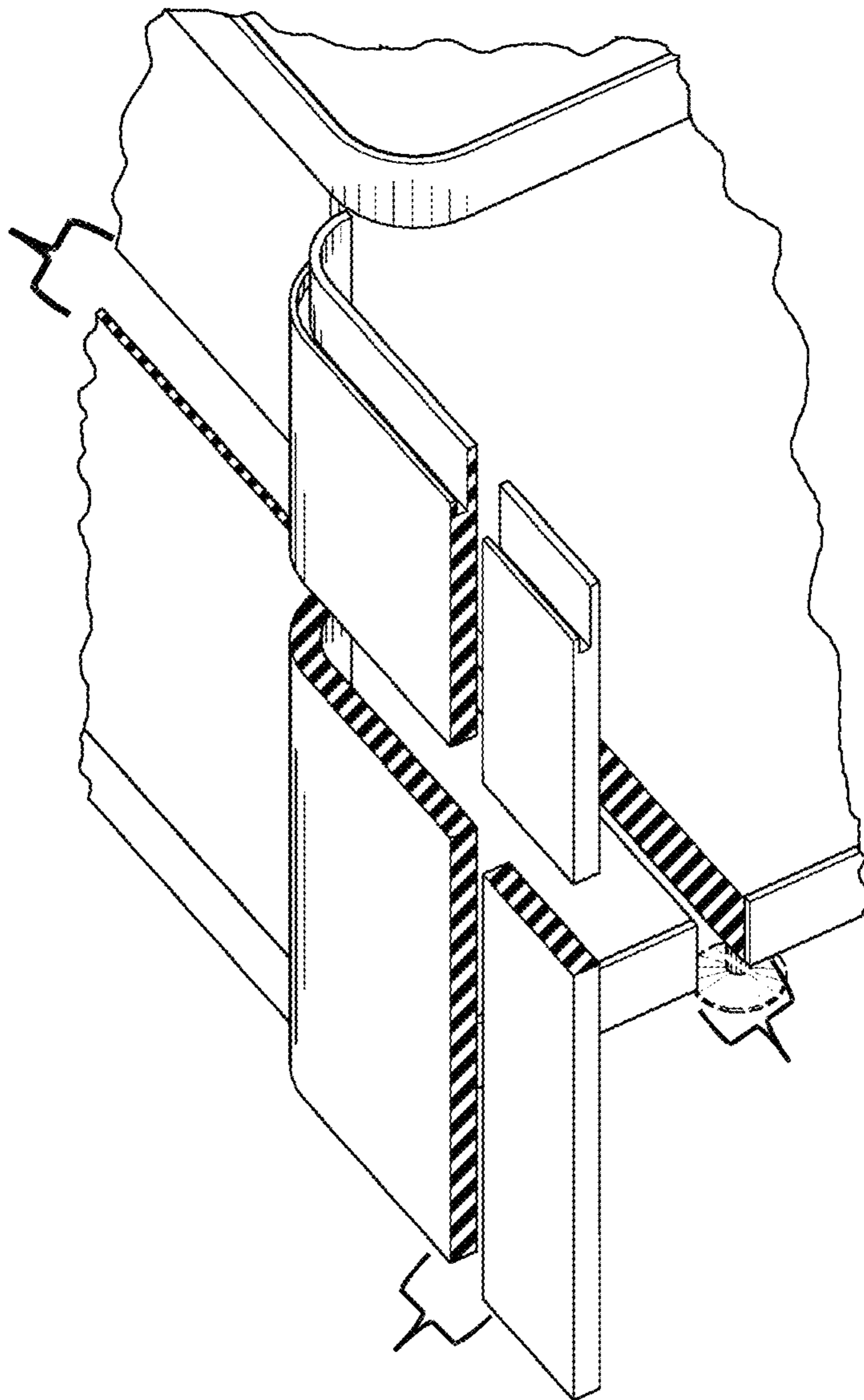


FIG. 11

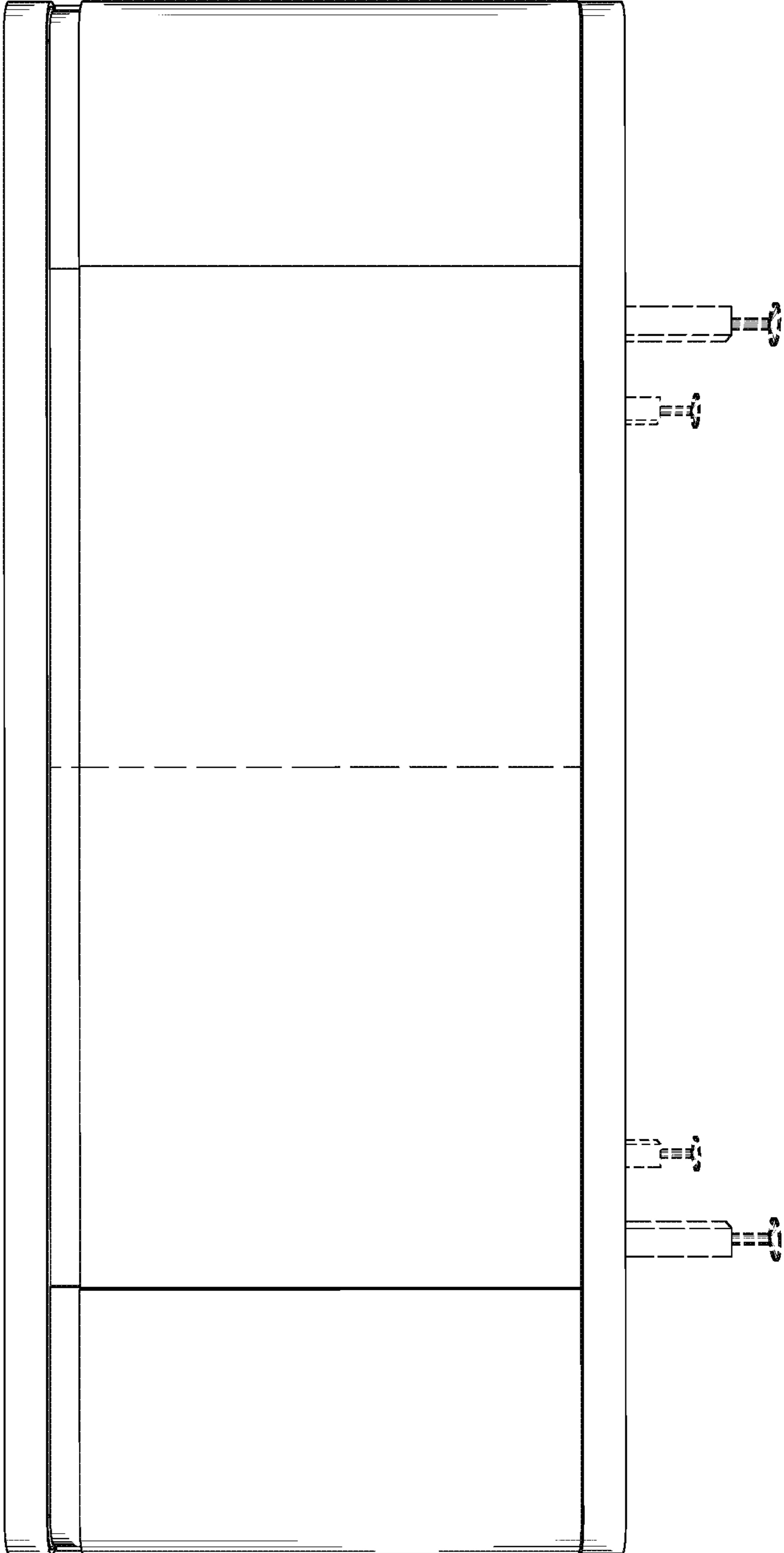


FIG. 12

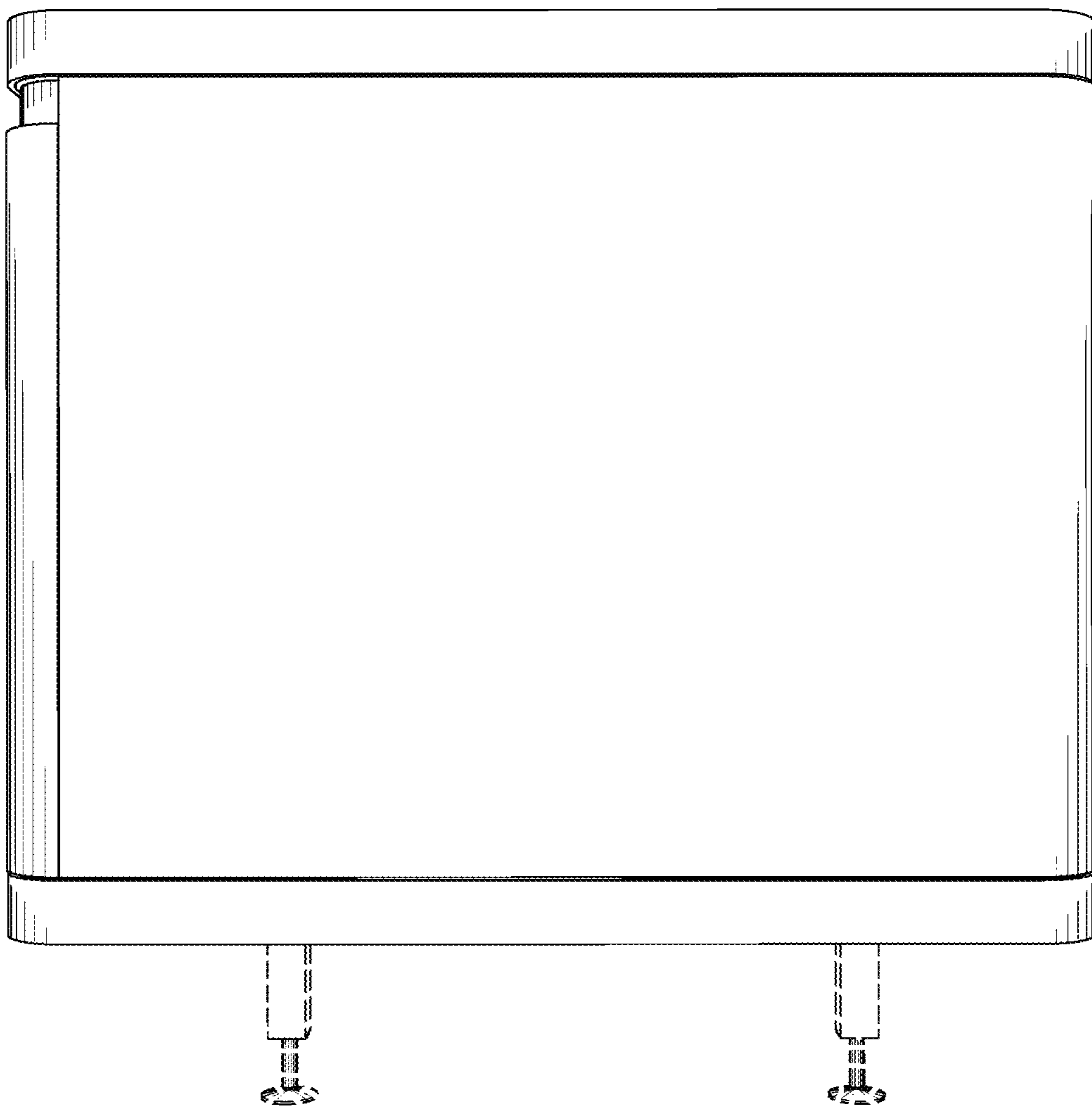


FIG. 13

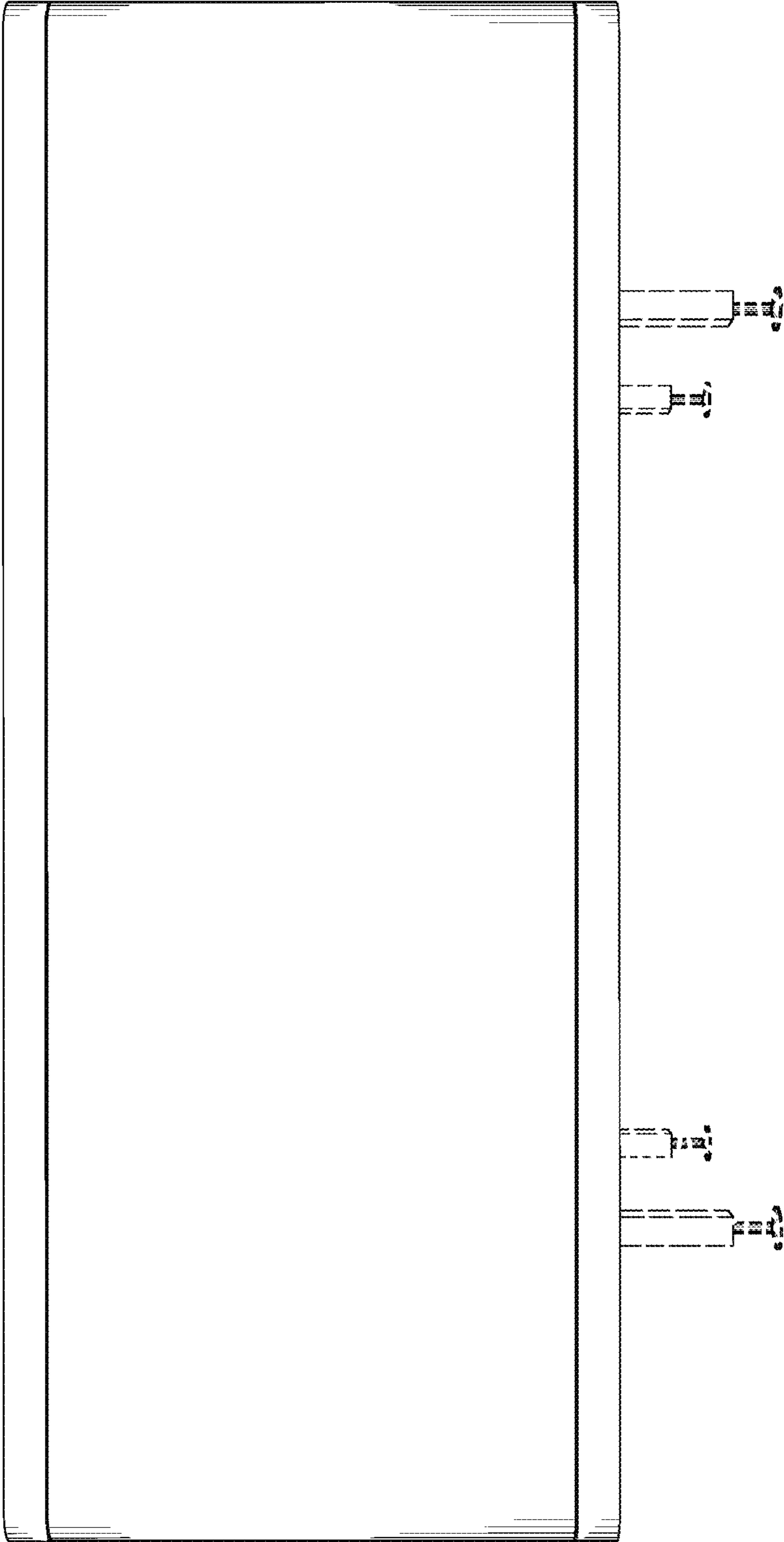


FIG. 14

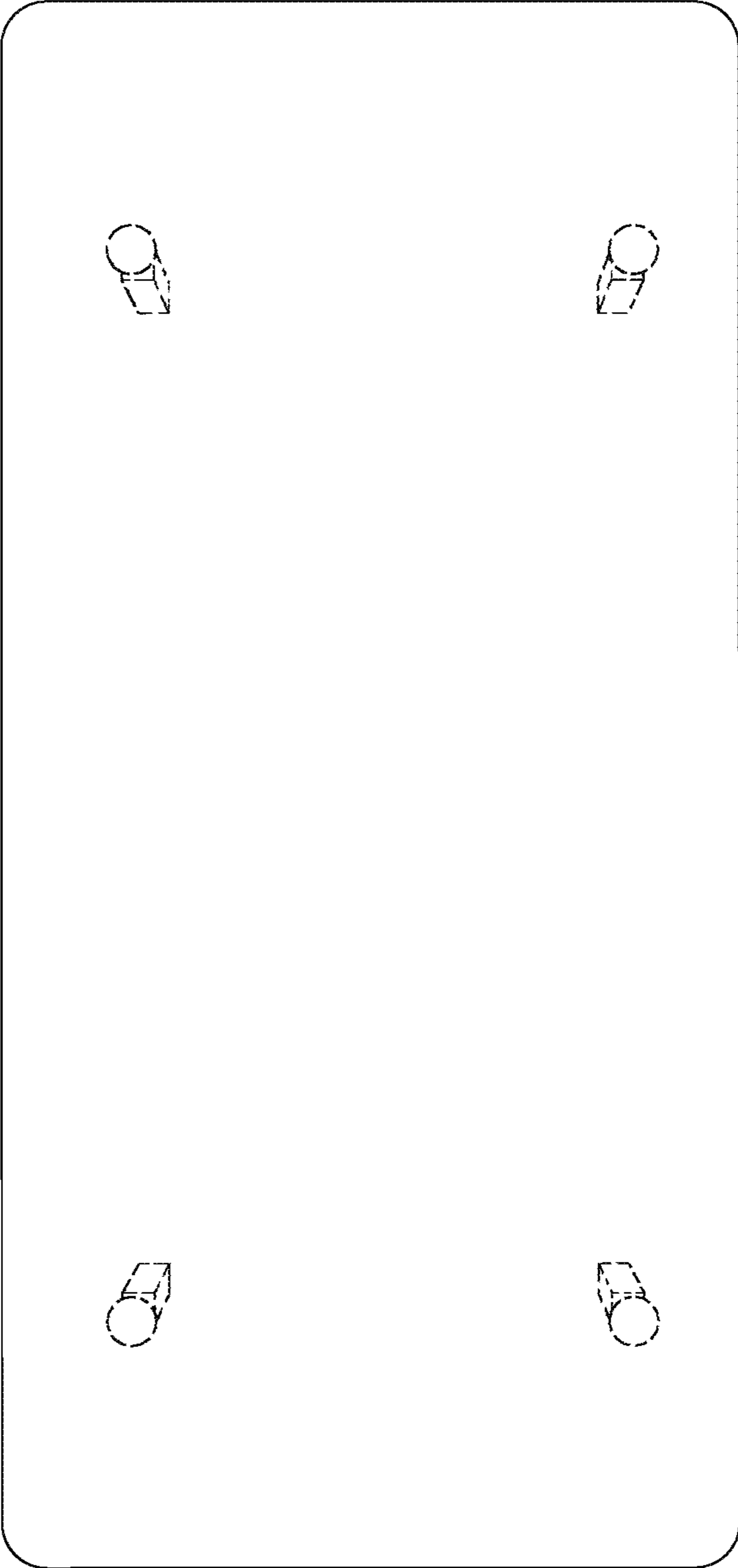
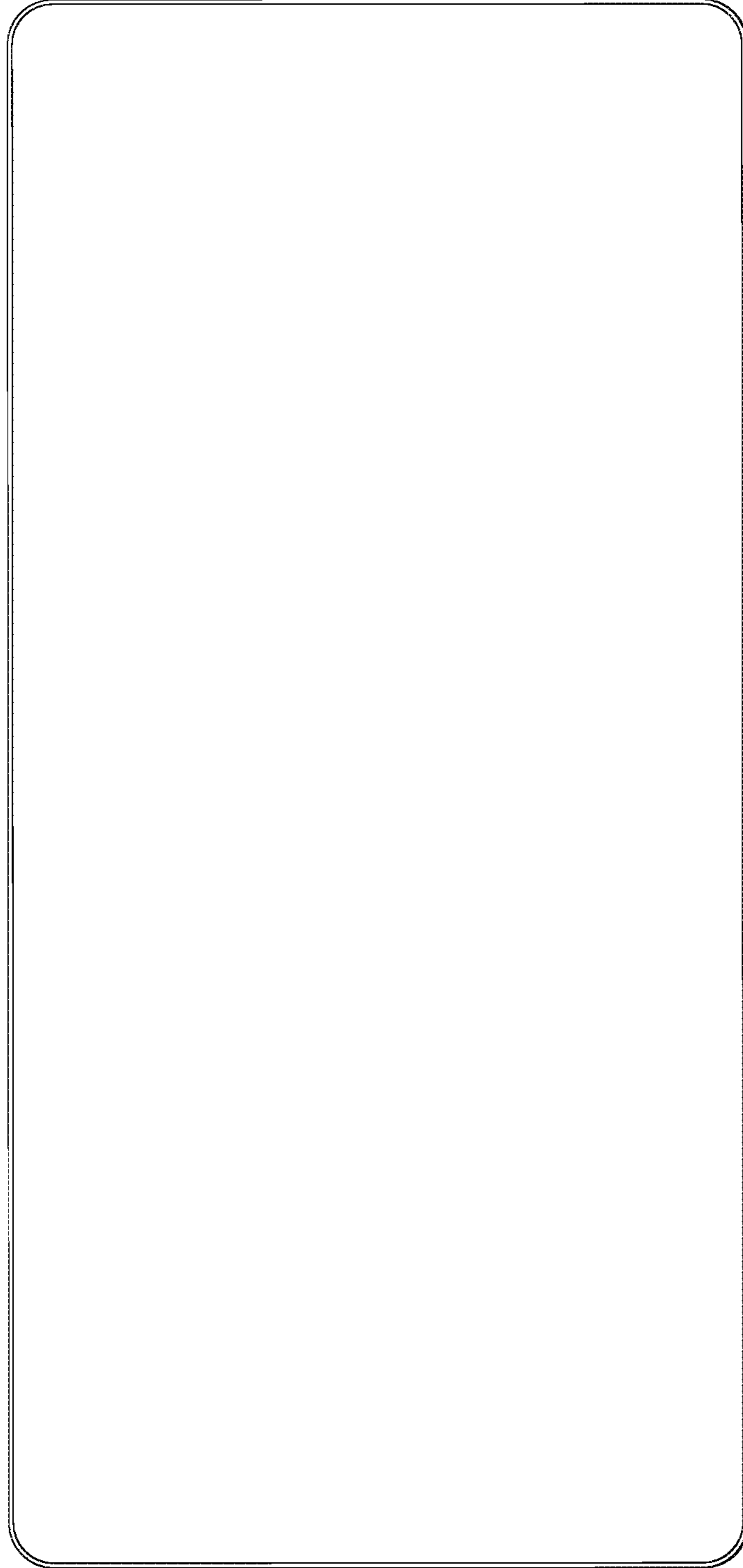


FIG. 15



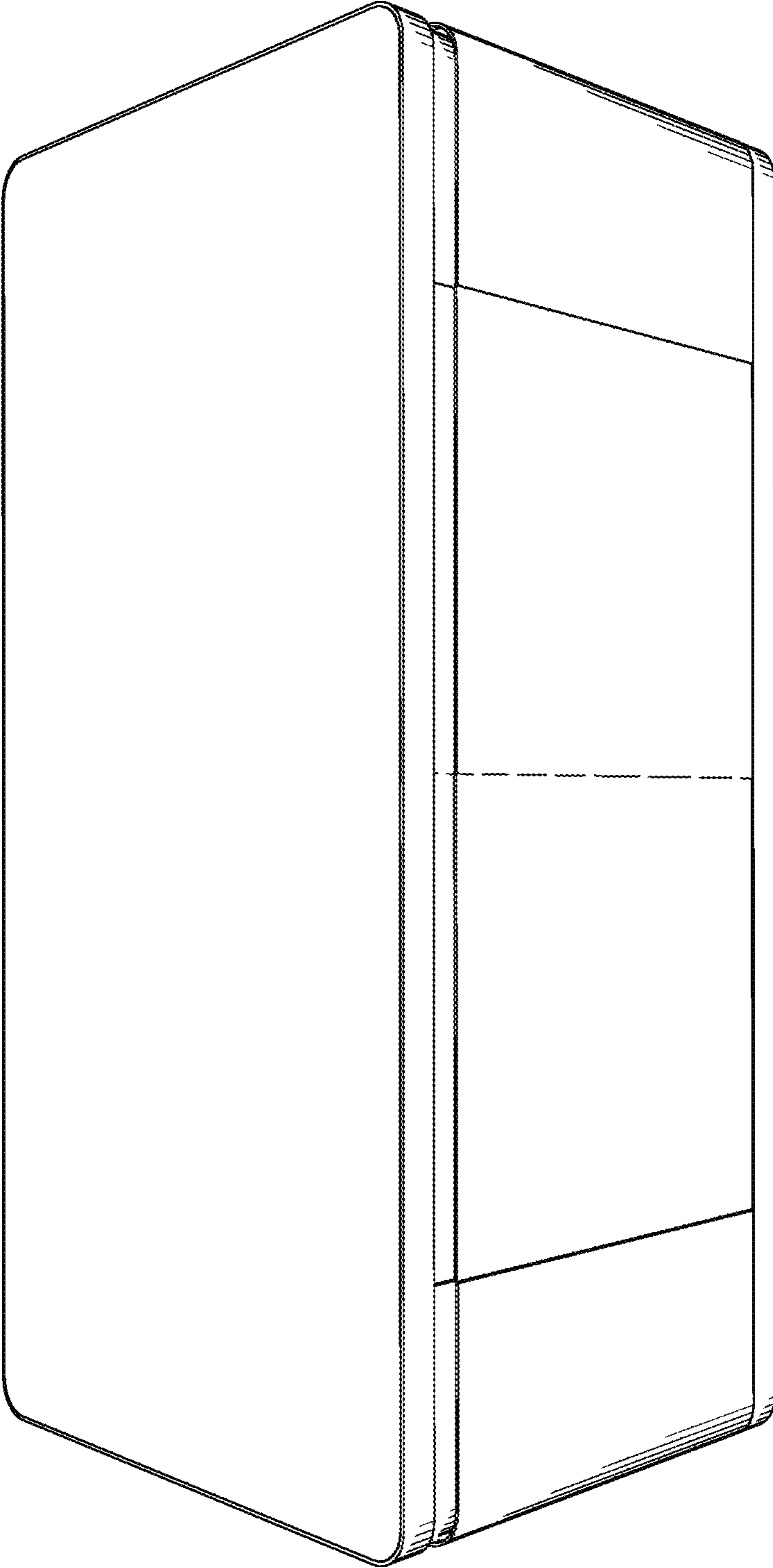


FIG. 16

FIG. 17

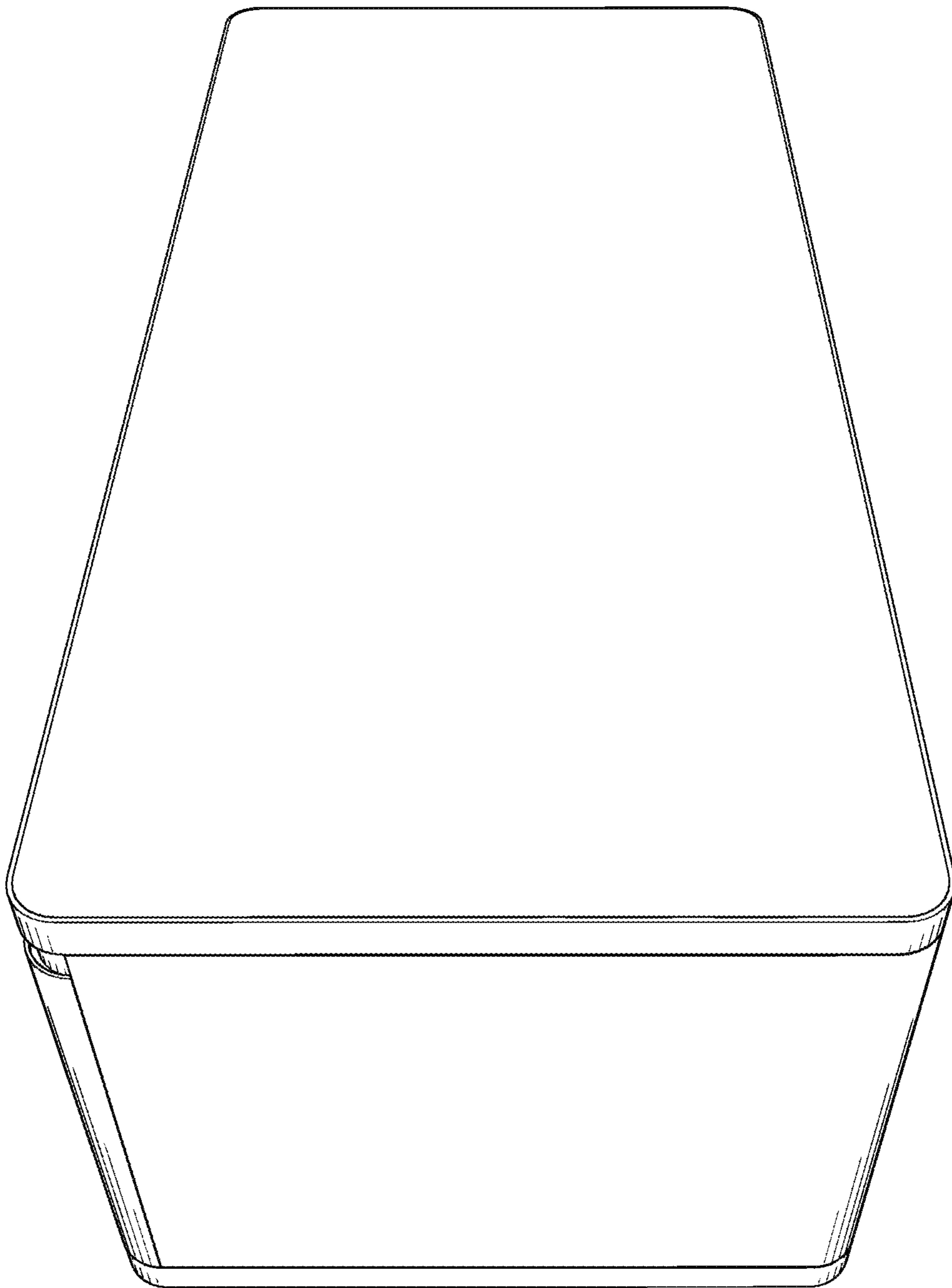
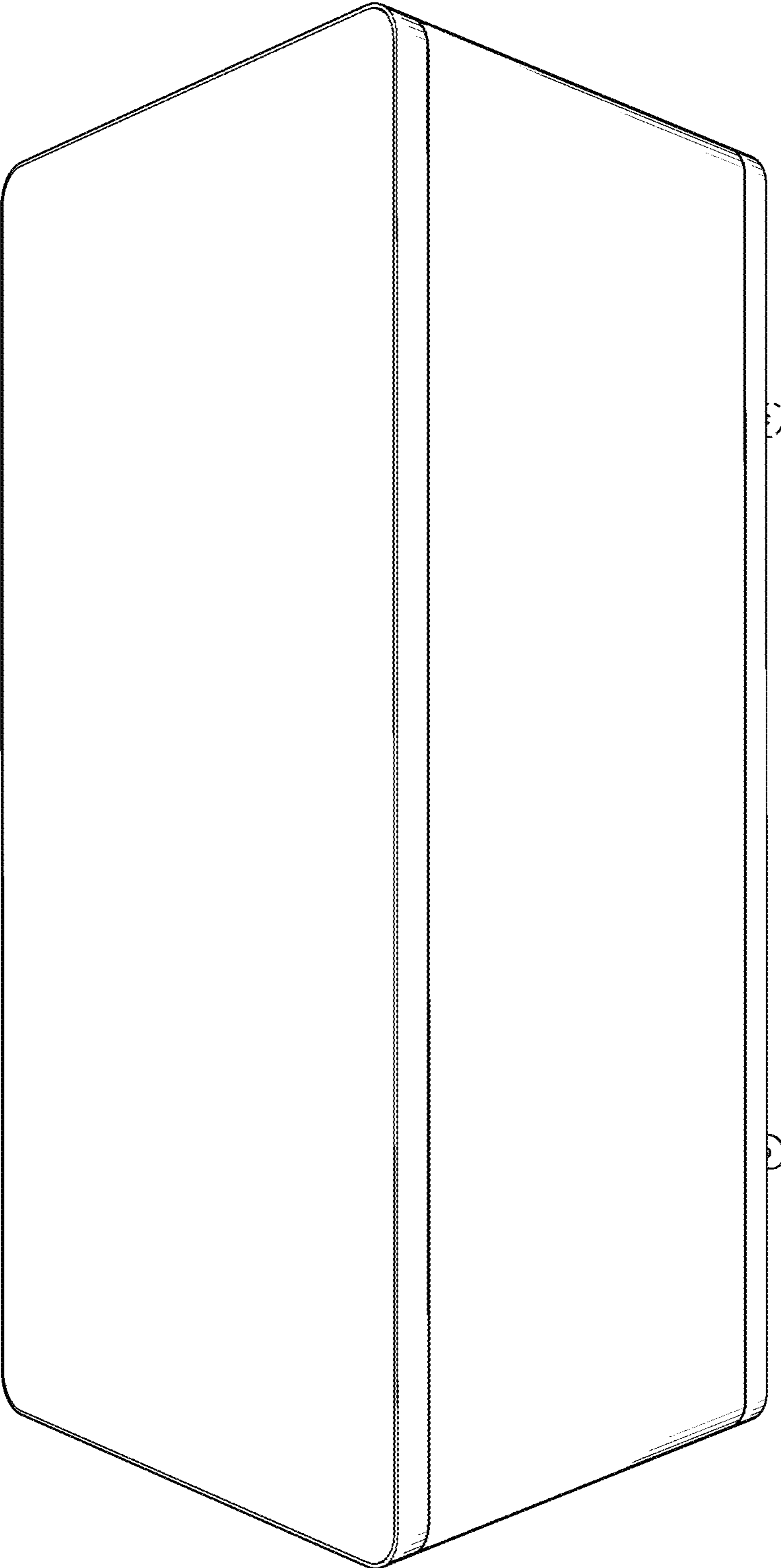


FIG. 18



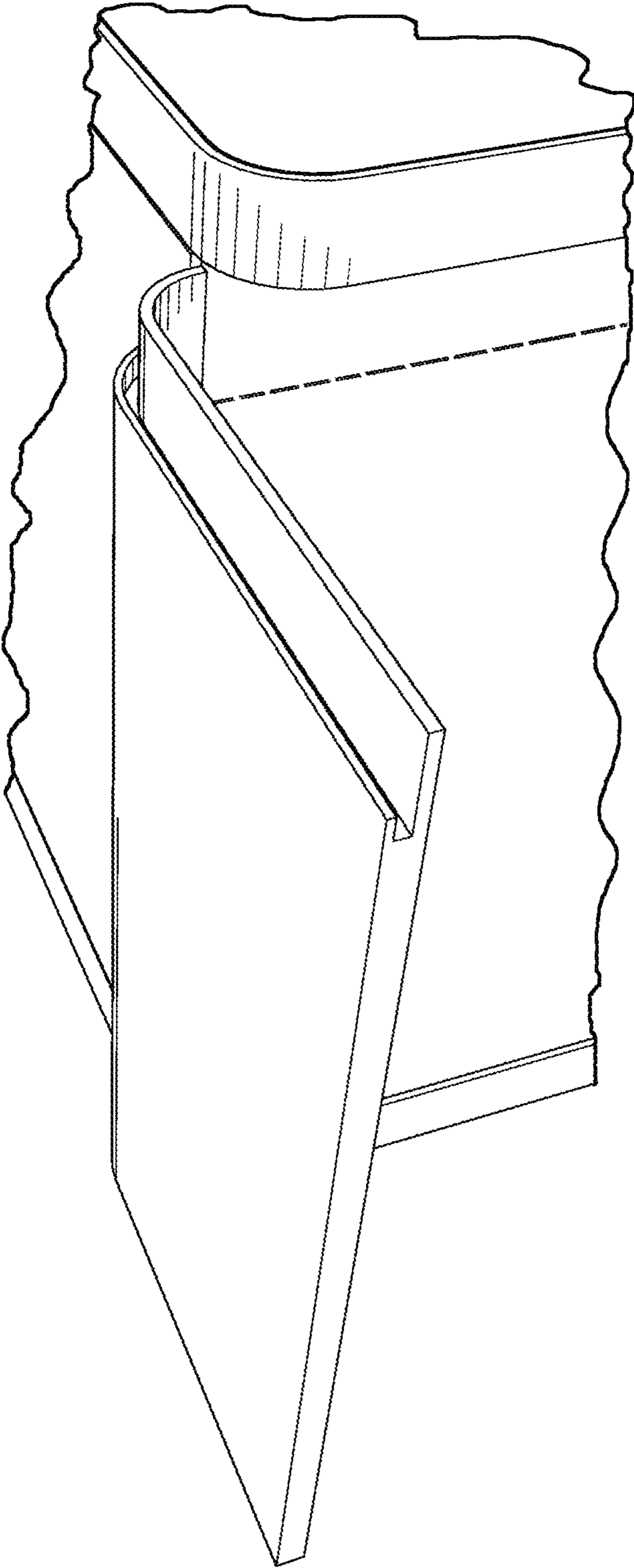


FIG. 19

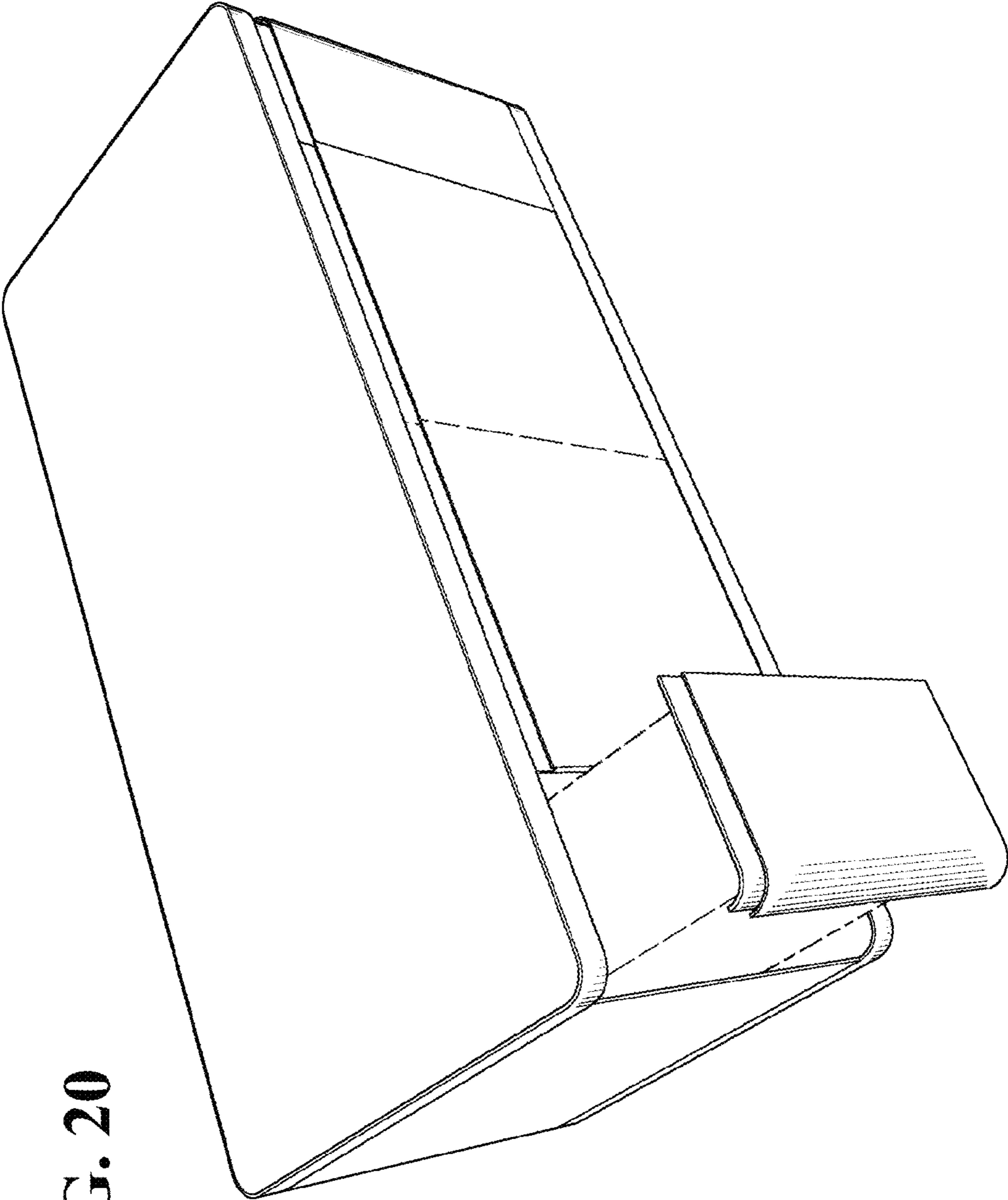


FIG. 20

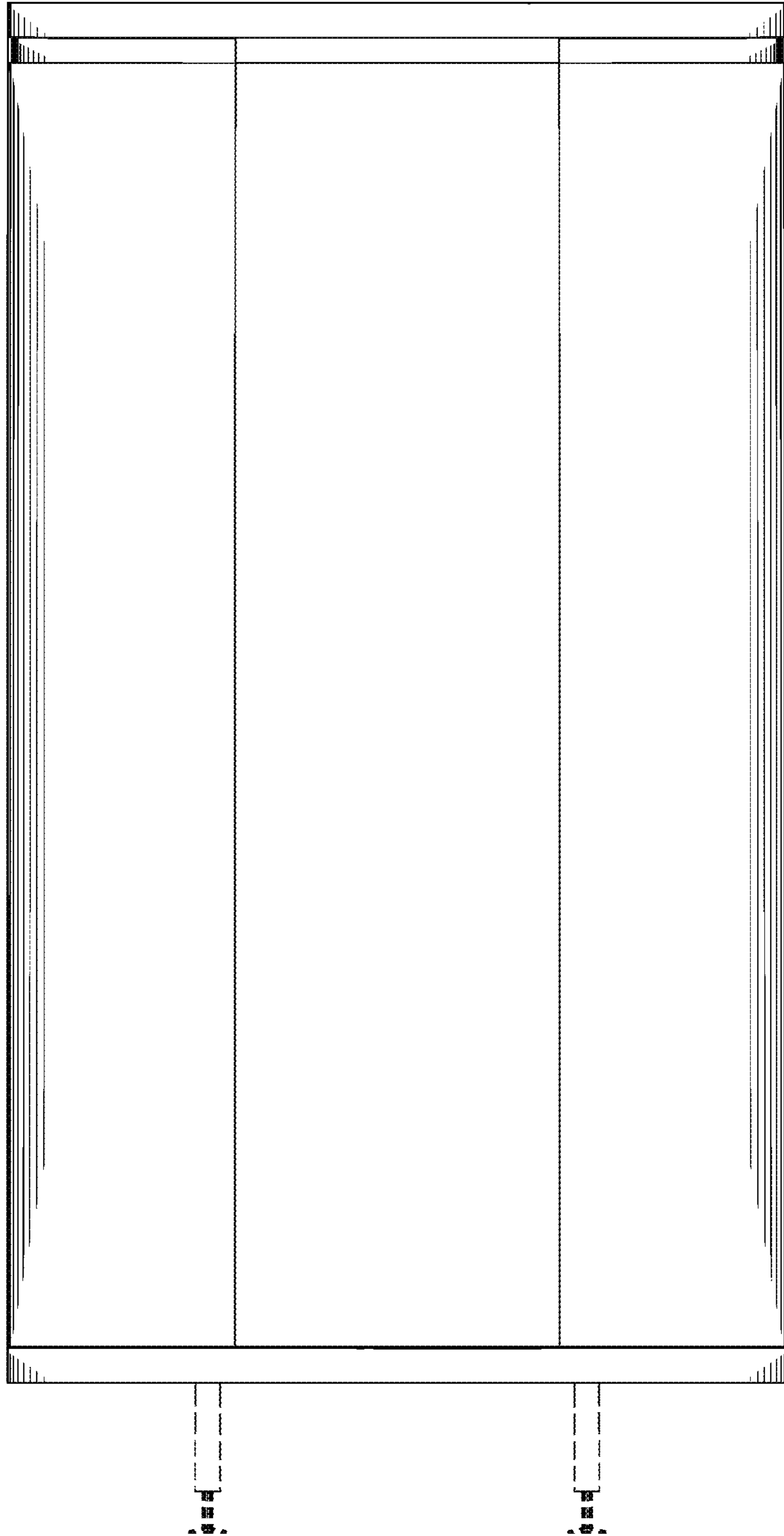


FIG. 21

FIG. 22

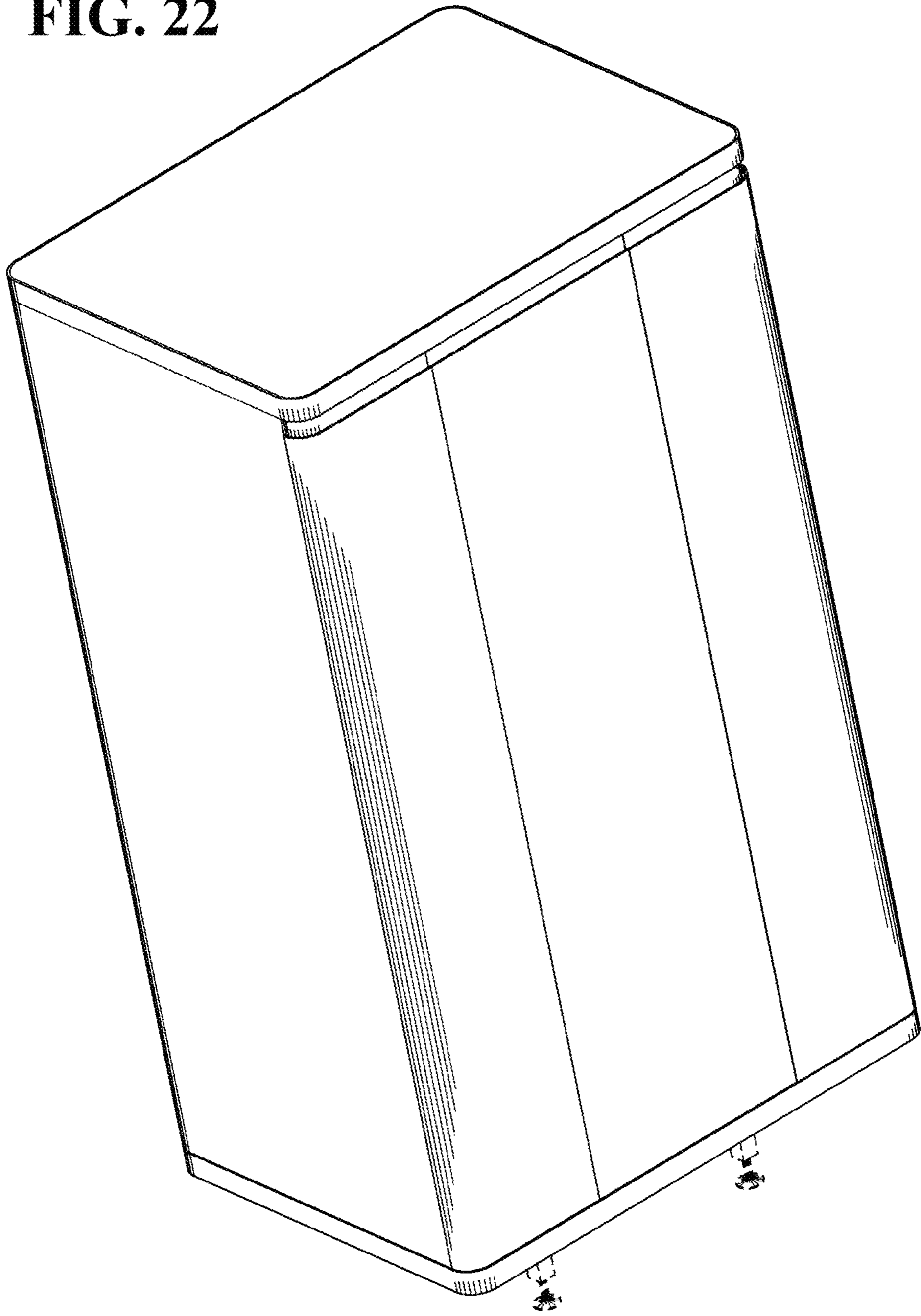


FIG. 23

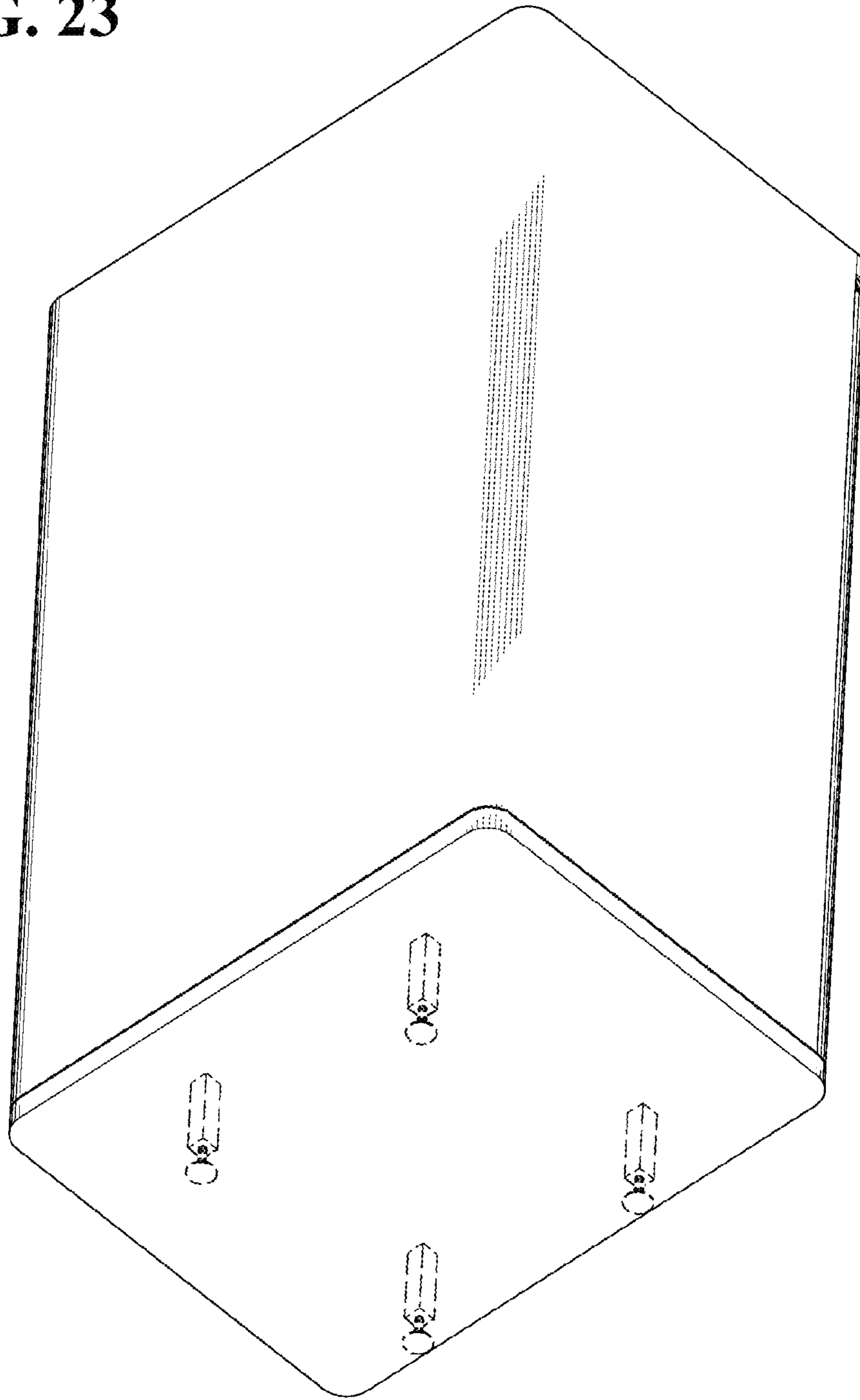
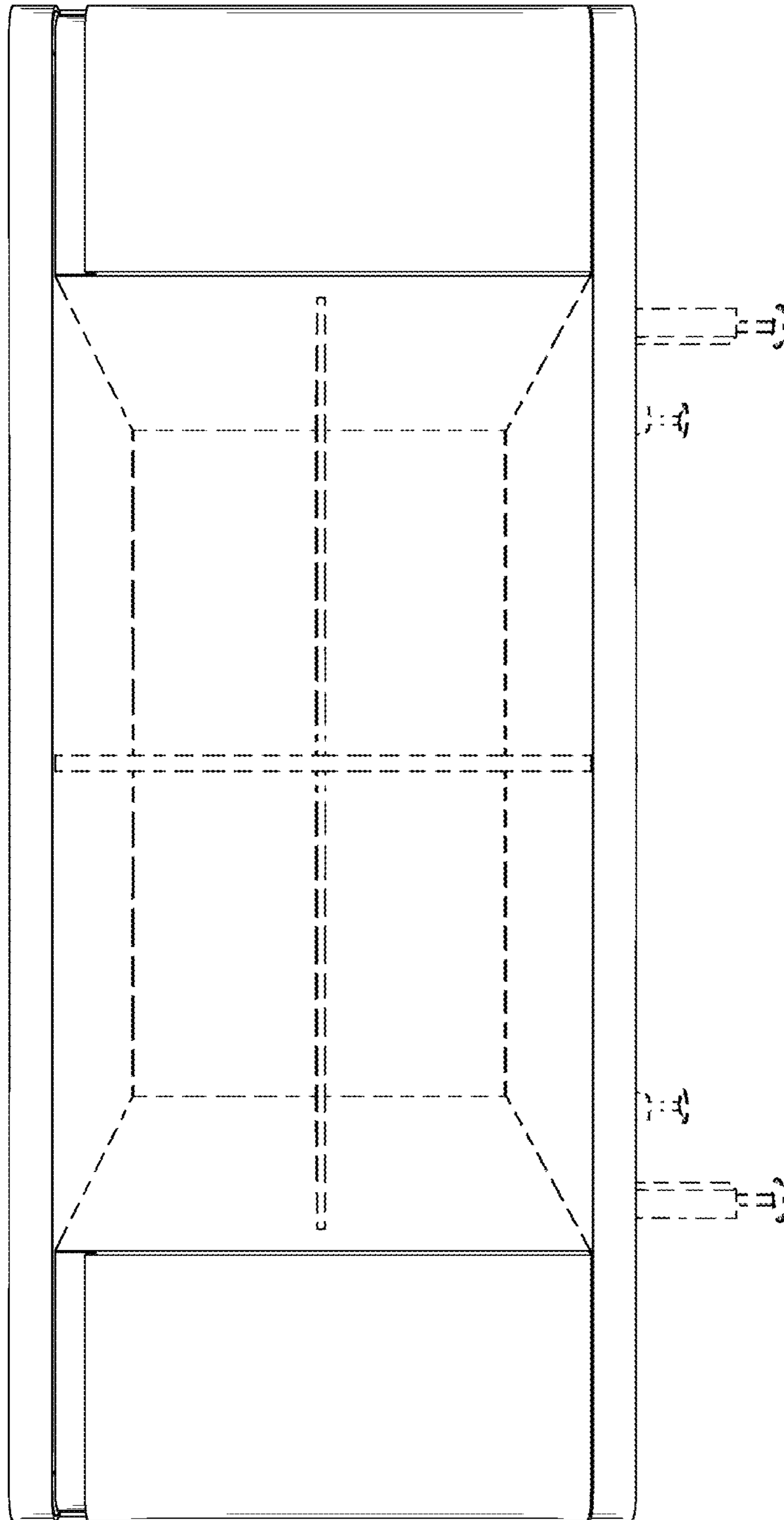


FIG. 24



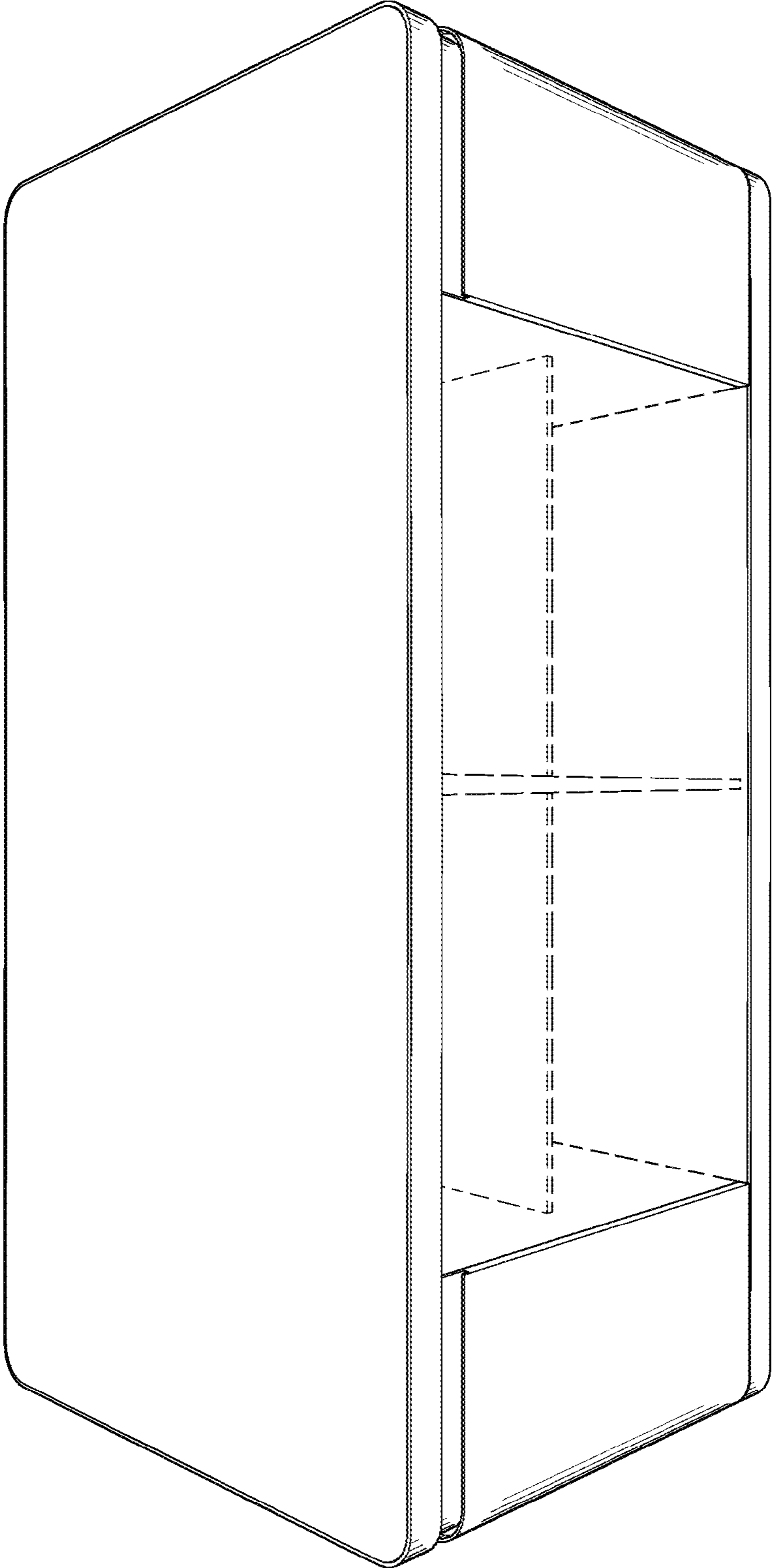
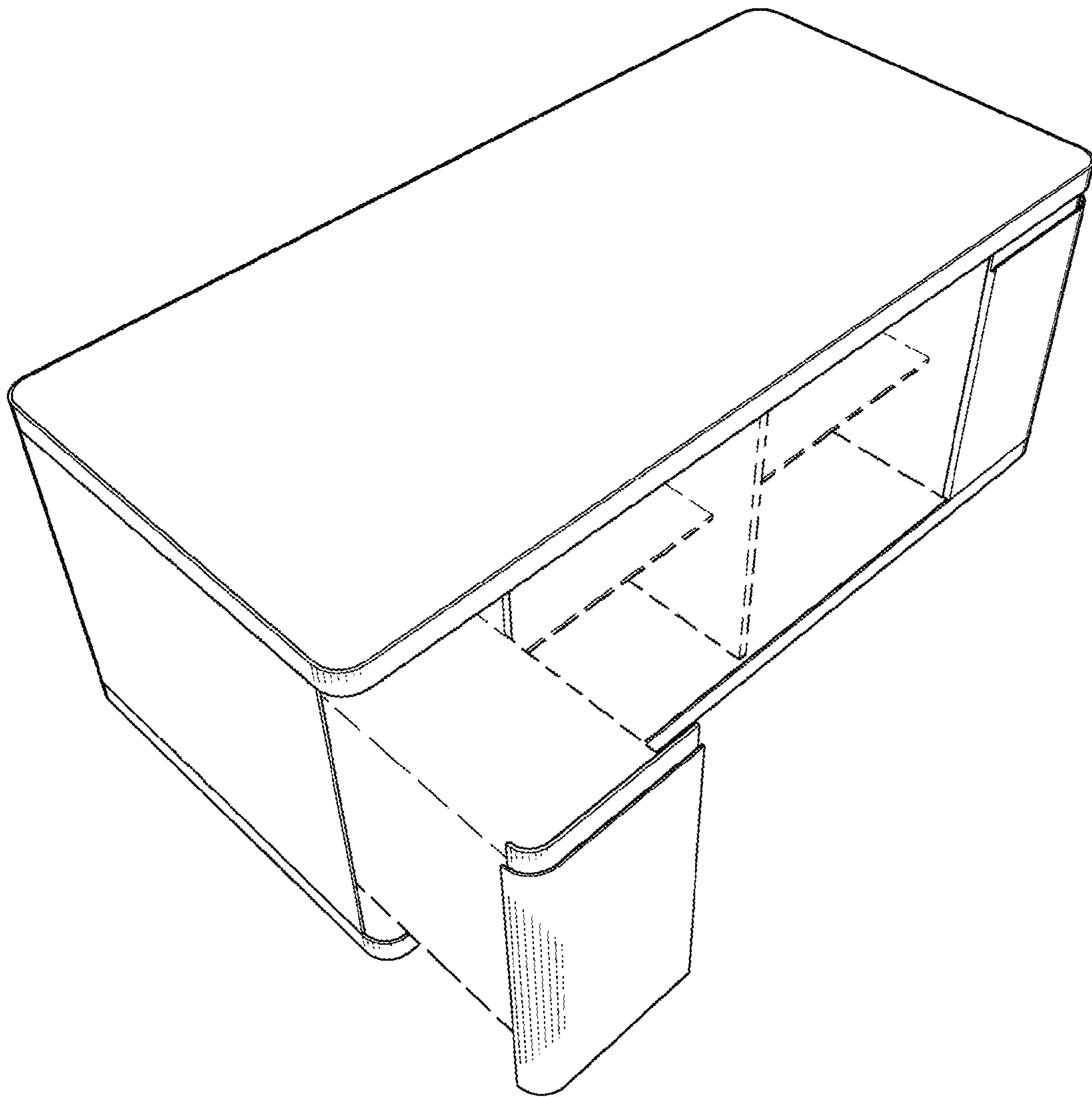


FIG. 25

FIG. 26



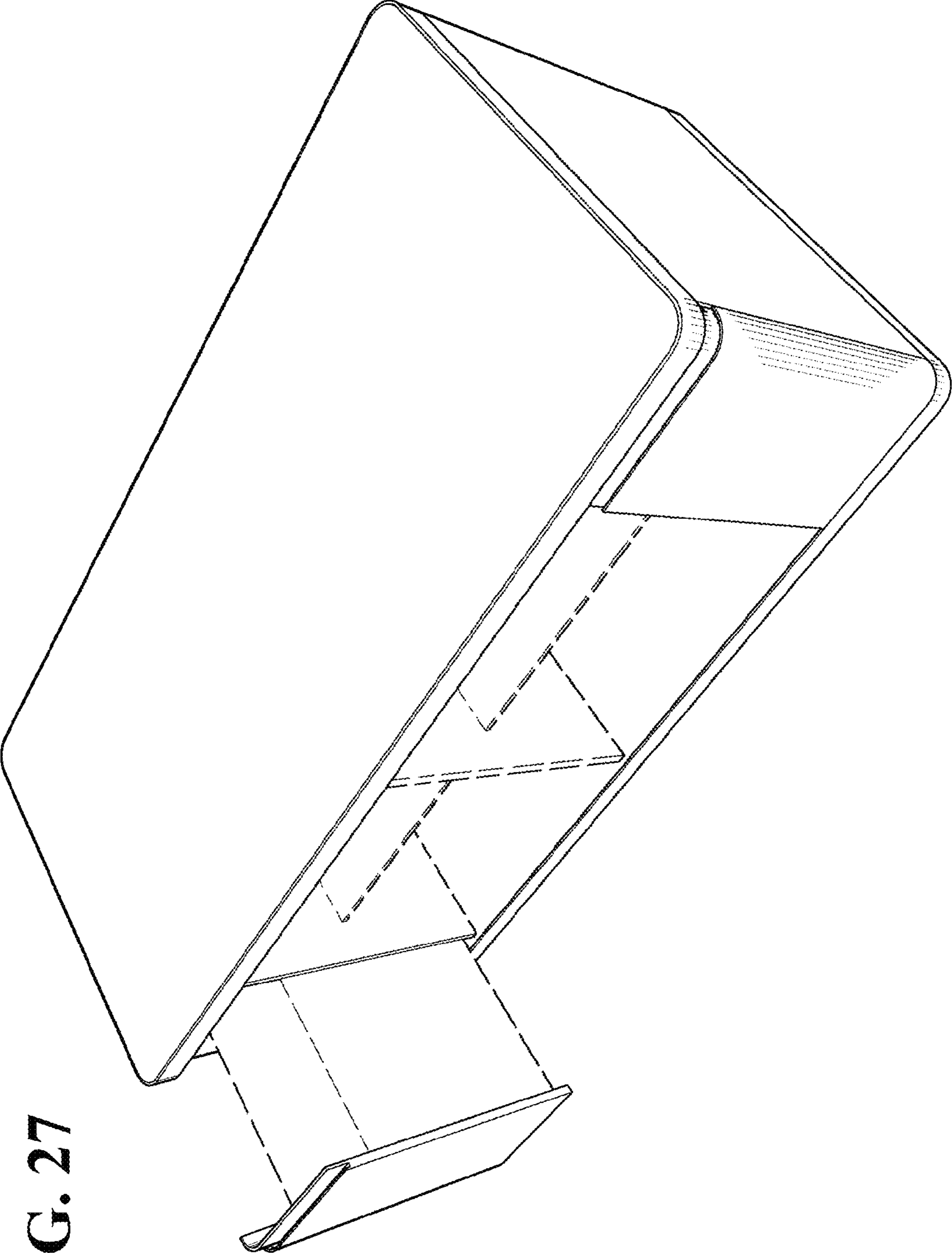


FIG. 27

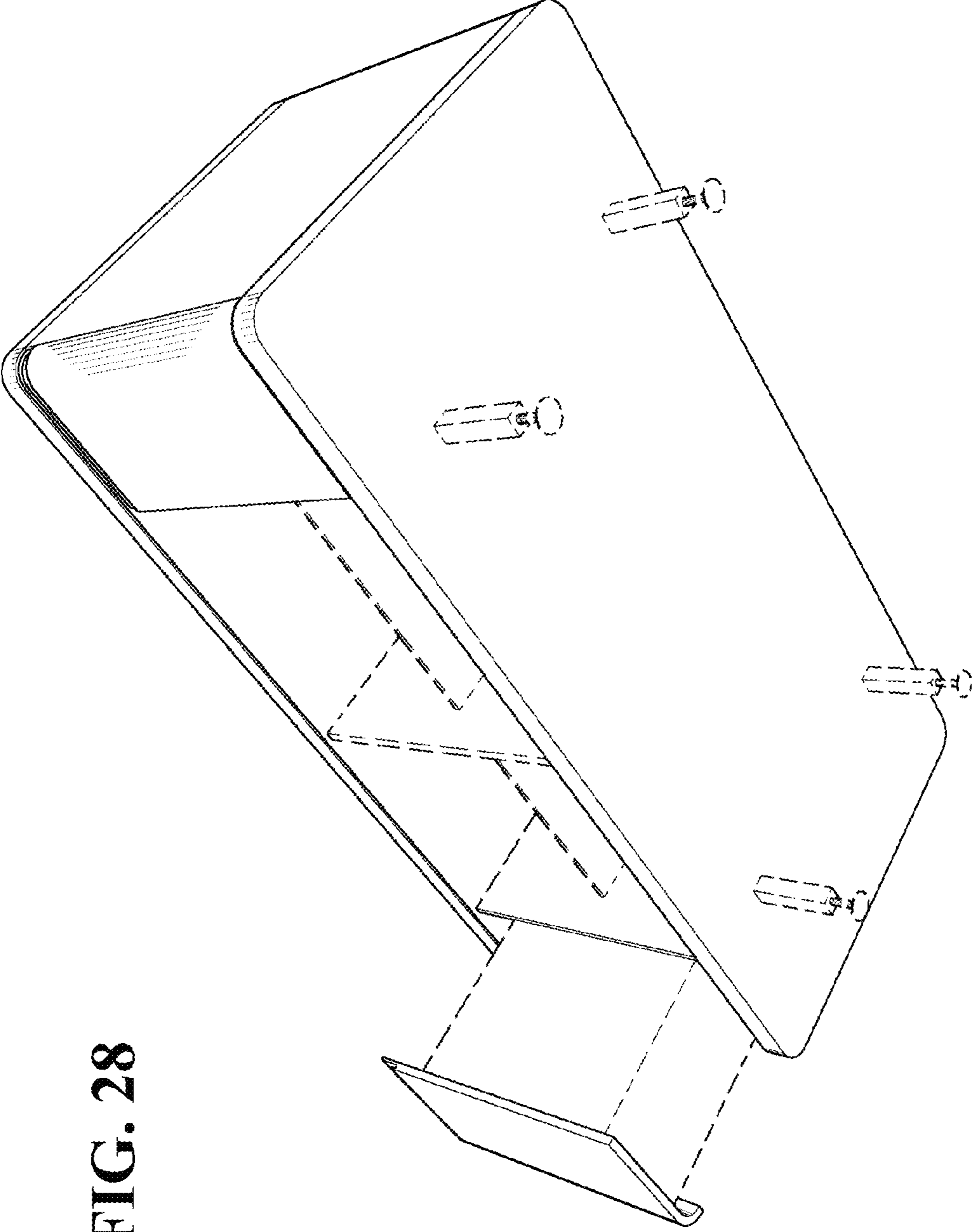


FIG. 28