



US00D704959S

(12) **United States Design Patent**  
**Callif et al.**

(10) **Patent No.:** **US D704,959 S**

(45) **Date of Patent:** **\*\* May 20, 2014**

(54) **WALL MOUNTED STORAGE ASSEMBLY**

(56) **References Cited**

(71) Applicant: **Liberty Hardware Mfg. Corp.**,  
Winston-Salem, NC (US)

U.S. PATENT DOCUMENTS

(72) Inventors: **Adam W. Callif**, Chicago, IL (US);  
**Natalie A. Schraufnagel**, Chicago, IL  
(US)

D267,607 S *	1/1983	Peabody et al.	.....	D6/570
D278,493 S *	4/1985	Brescia et al.	.....	D6/570
D337,016 S *	7/1993	Fortescue	.....	D6/567
D425,893 S *	5/2000	Bassoff	.....	D6/567

\* cited by examiner

(73) Assignee: **Liberty Hardware Mfg. Corp.**,  
Winston-Salem, NC (US)

*Primary Examiner* — Brian N Vinson

(74) *Attorney, Agent, or Firm* — Lora J. Graentzdoerffer

(\*\*) Term: **14 Years**

(57) **CLAIM**

The ornamental design for a wall mounted storage assembly,  
as shown and described.

(21) Appl. No.: **29/472,297**

**DESCRIPTION**

(22) Filed: **Nov. 11, 2013**

(51) **LOC (10) Cl.** ..... **06-04**

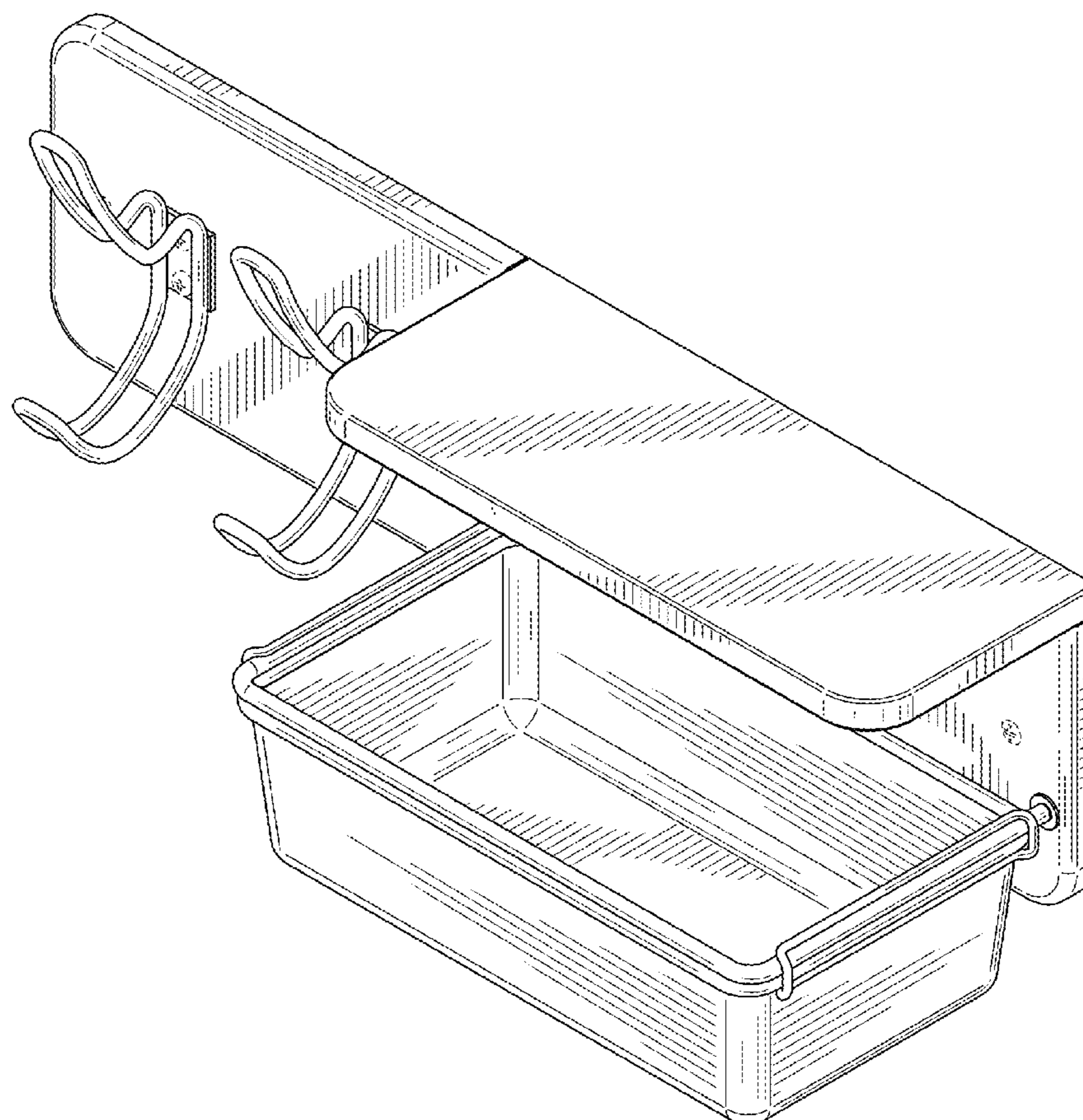
(52) **U.S. Cl.**  
USPC ..... **D6/567**

(58) **Field of Classification Search**  
USPC ..... D6/553, 512-514, 567, 572, 569;  
D8/367, 372; 211/13.1, 70.6, 70.7, 32,  
211/35, 85.9, 54.1, 59.1, 66, 86.01, 56;  
248/200, 205.1, 235, 301, 304, 309.1,  
248/309.2

FIG. 1 is a perspective view thereof;  
FIG. 2 is a front elevational view thereof;  
FIG. 3 is a left side elevational view thereof;  
FIG. 4 is a right side elevational view thereof;  
FIG. 5 is a top plan view thereof; and,  
FIG. 6 is a bottom plan view thereof.  
The broken-line disclosure in the views represents portions of  
the article in which the claimed design is embodied, but which  
form no part of the claimed design.

See application file for complete search history.

**1 Claim, 5 Drawing Sheets**



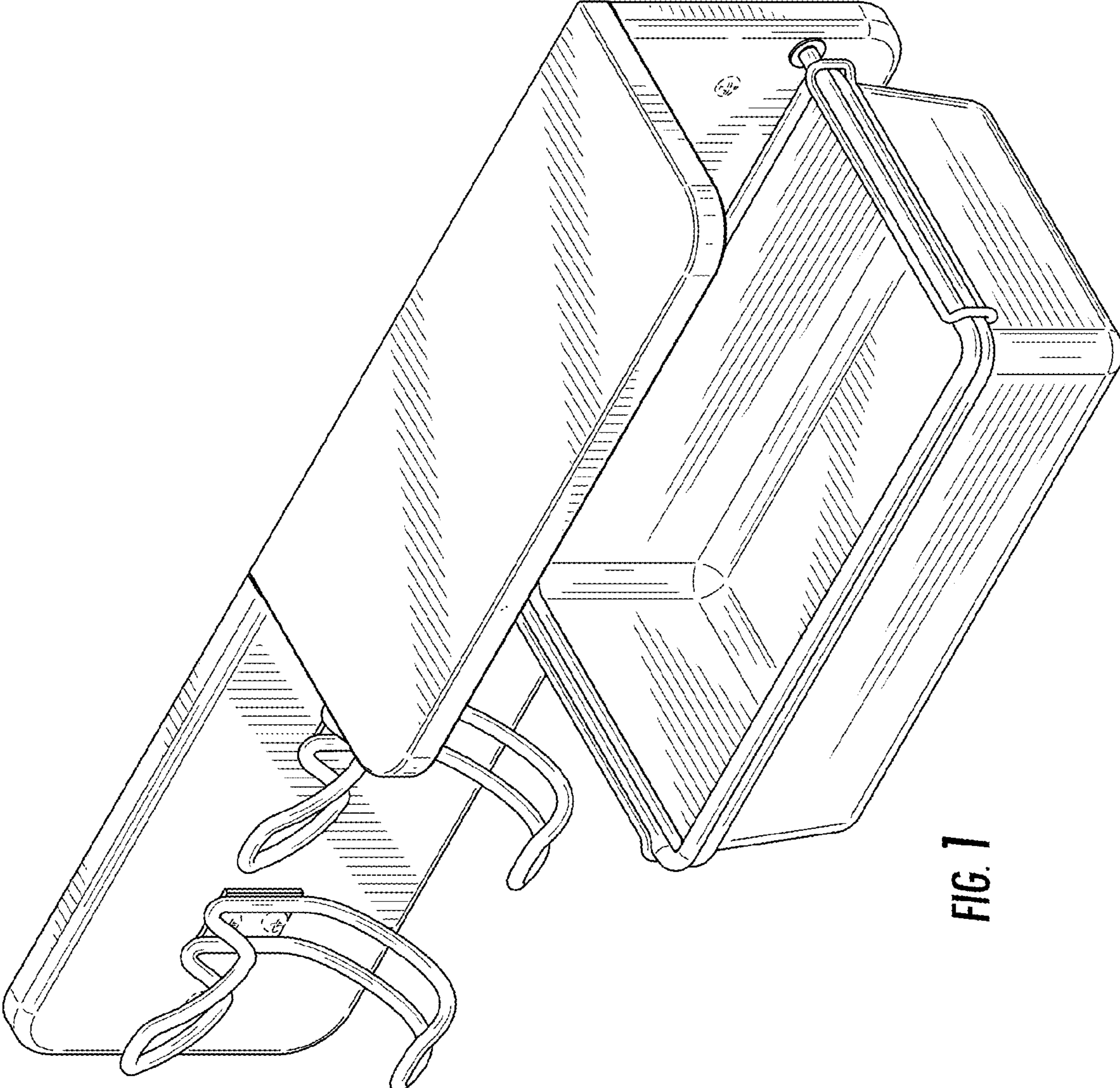


FIG. 1

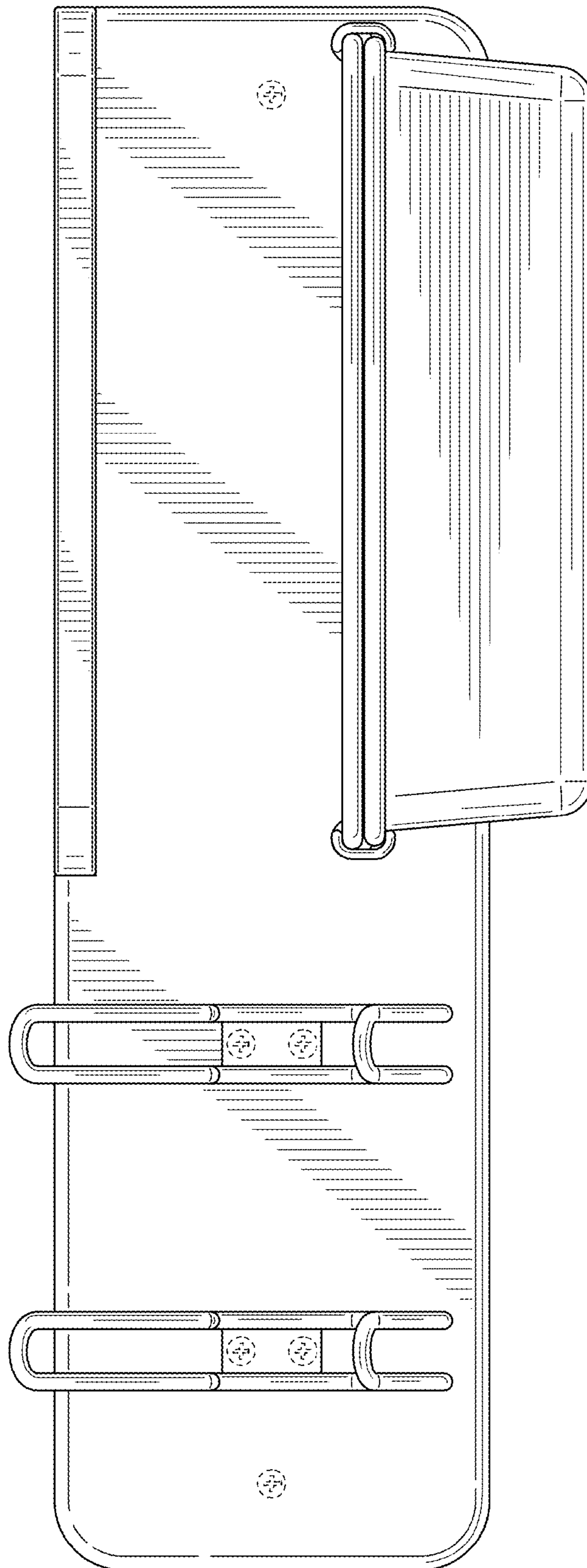


FIG. 2

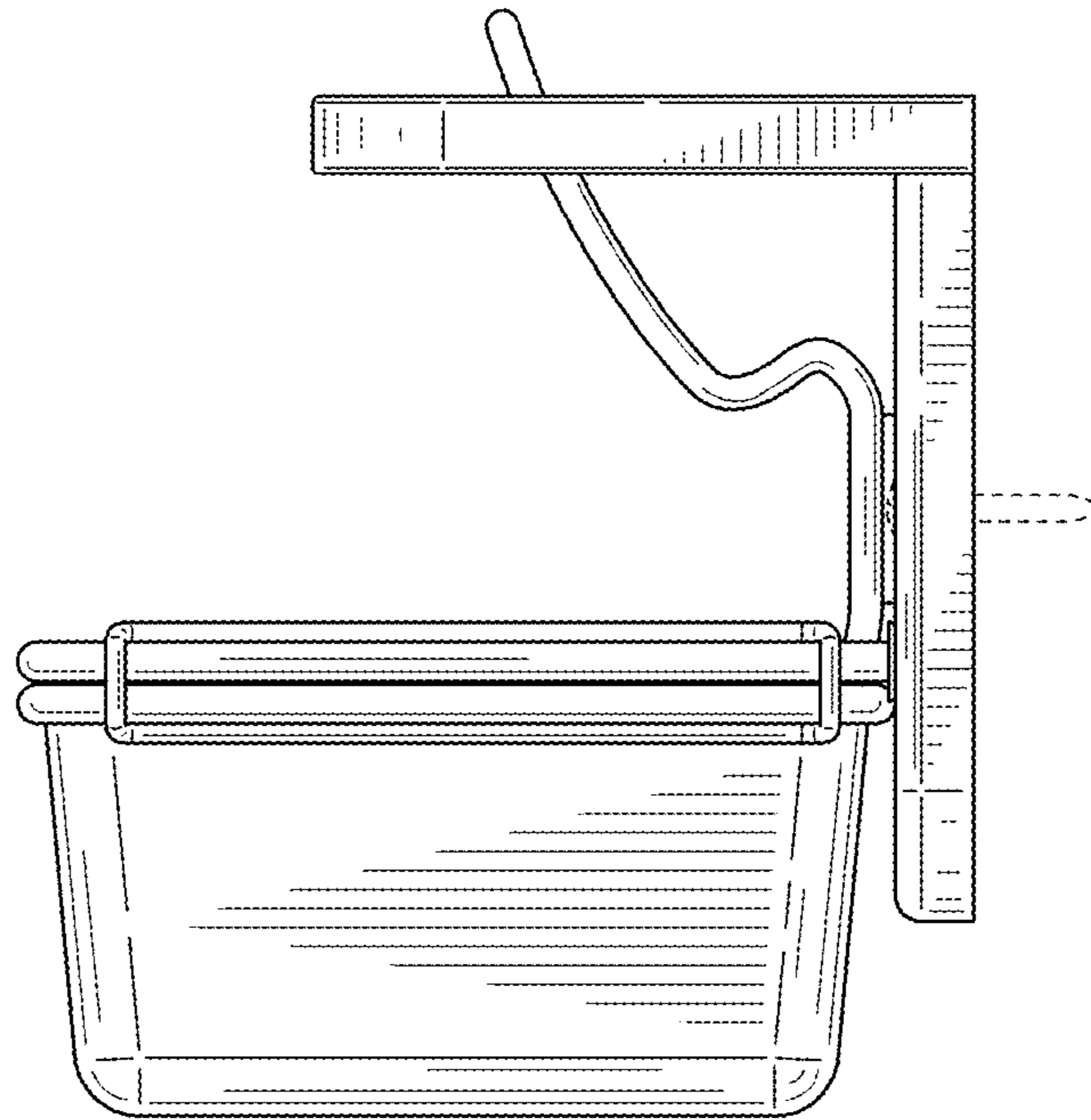


FIG. 3

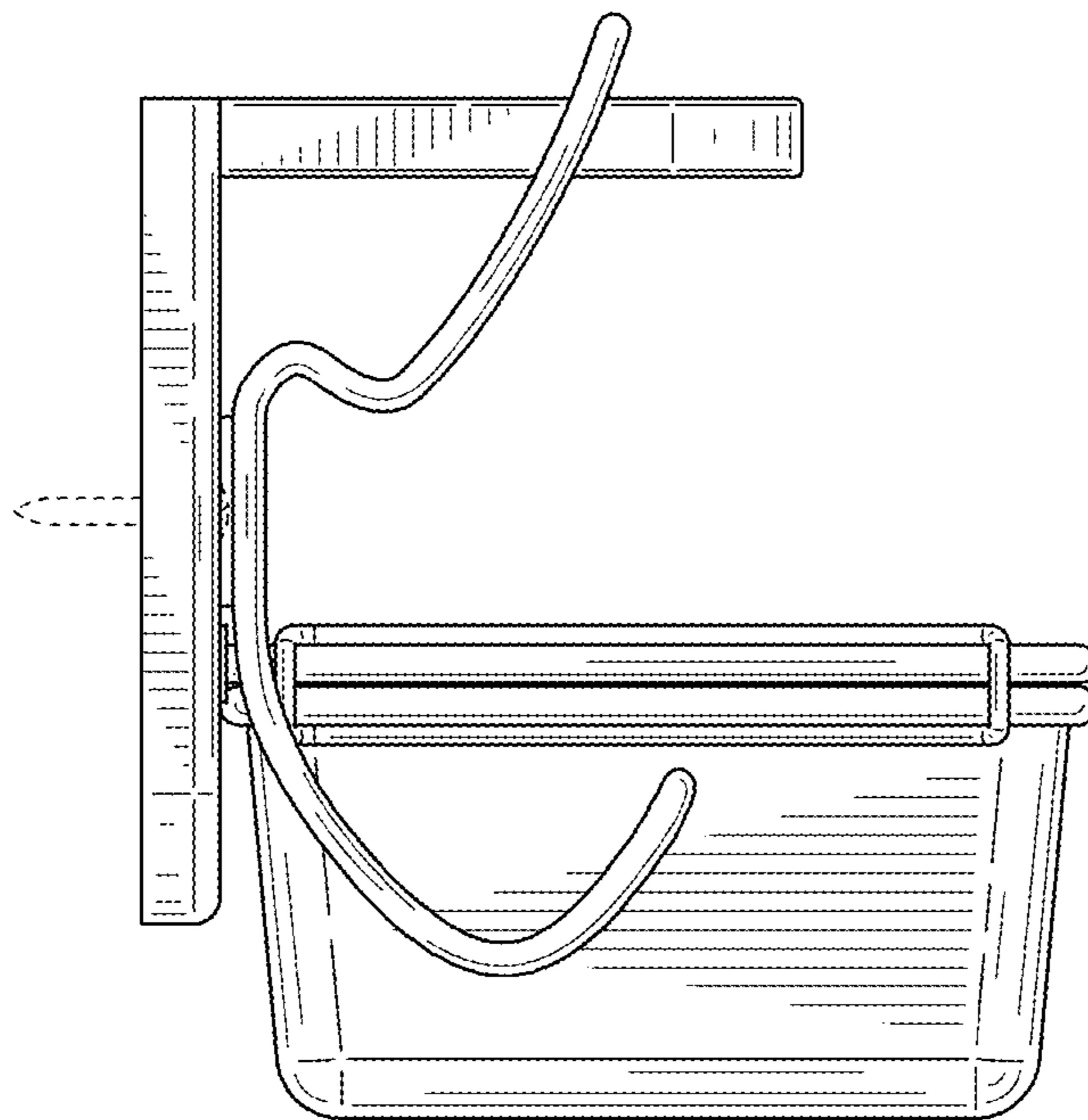


FIG. 4

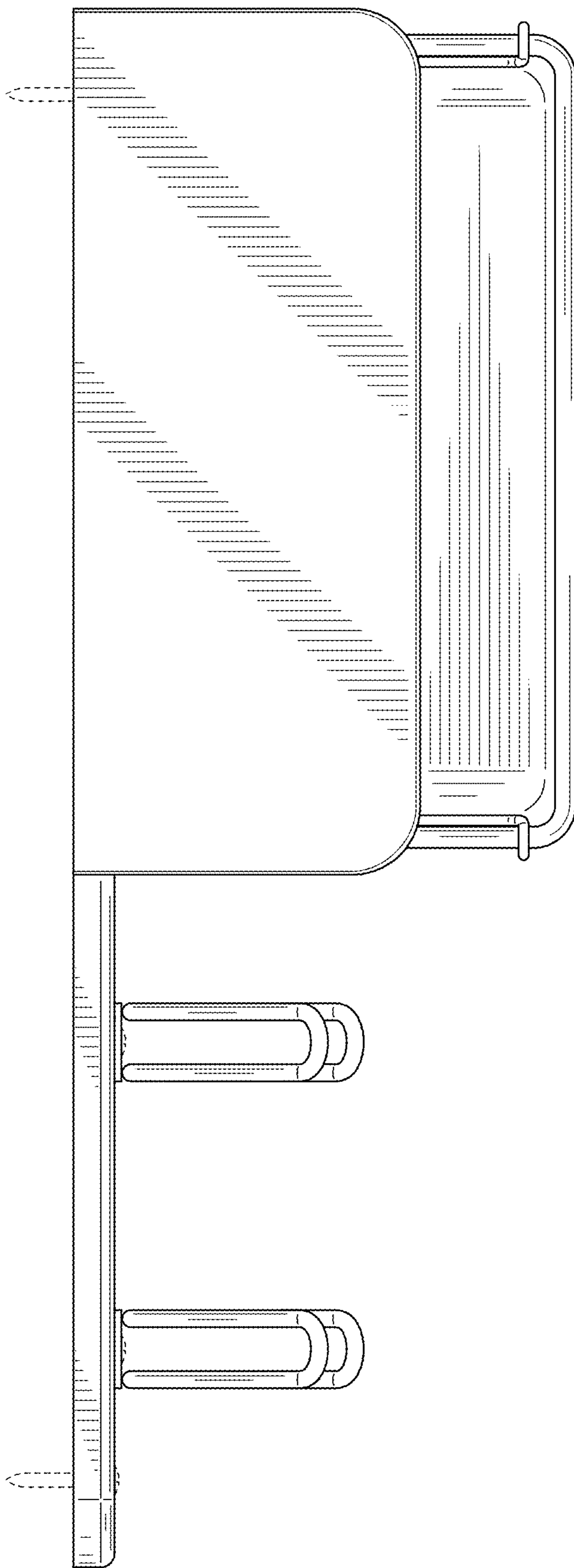


FIG. 5

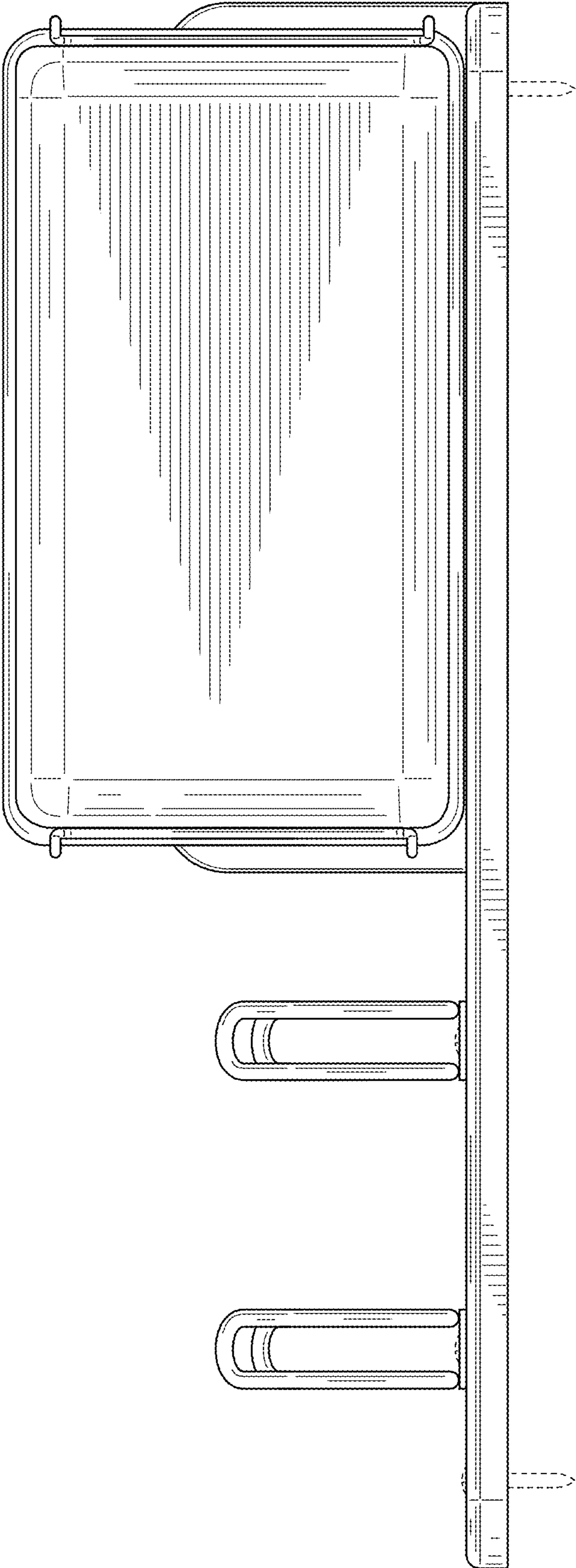


FIG. 6