



US00D704957S

(12) **United States Design Patent**
Dimitrakos

(10) **Patent No.:** **US D704,957 S**

(45) **Date of Patent:** **** May 20, 2014**

(54) **DISPLAY CASE**

D584,552 S * 1/2009 Brinson et al. D6/559
D613,512 S * 4/2010 Sultan D6/315
D656,747 S * 4/2012 Williams D6/320

(71) Applicant: **Joanne Dimitrakos**, Wood Dale, IL
(US)

* cited by examiner

(72) Inventor: **Joanne Dimitrakos**, Wood Dale, IL
(US)

Primary Examiner — Brian N Vinson

(74) *Attorney, Agent, or Firm* — Perkins IP Law Group LLC;
Jefferson Perkins

(**) Term: **14 Years**

(57) **CLAIM**

(21) Appl. No.: **29/457,656**

The ornamental design for a display case, as shown and described.

(22) Filed: **Jun. 12, 2013**

DESCRIPTION

(51) **LOC (10) Cl.** **06-04**

(52) **U.S. Cl.**
USPC **D6/559**

(58) **Field of Classification Search**
USPC D6/553, 559, 560–561, 329, 396, 432,
D6/448, 436–439, 315, 320; 312/209, 234,
312/224–225; 206/320, 823; D19/75–86
See application file for complete search history.

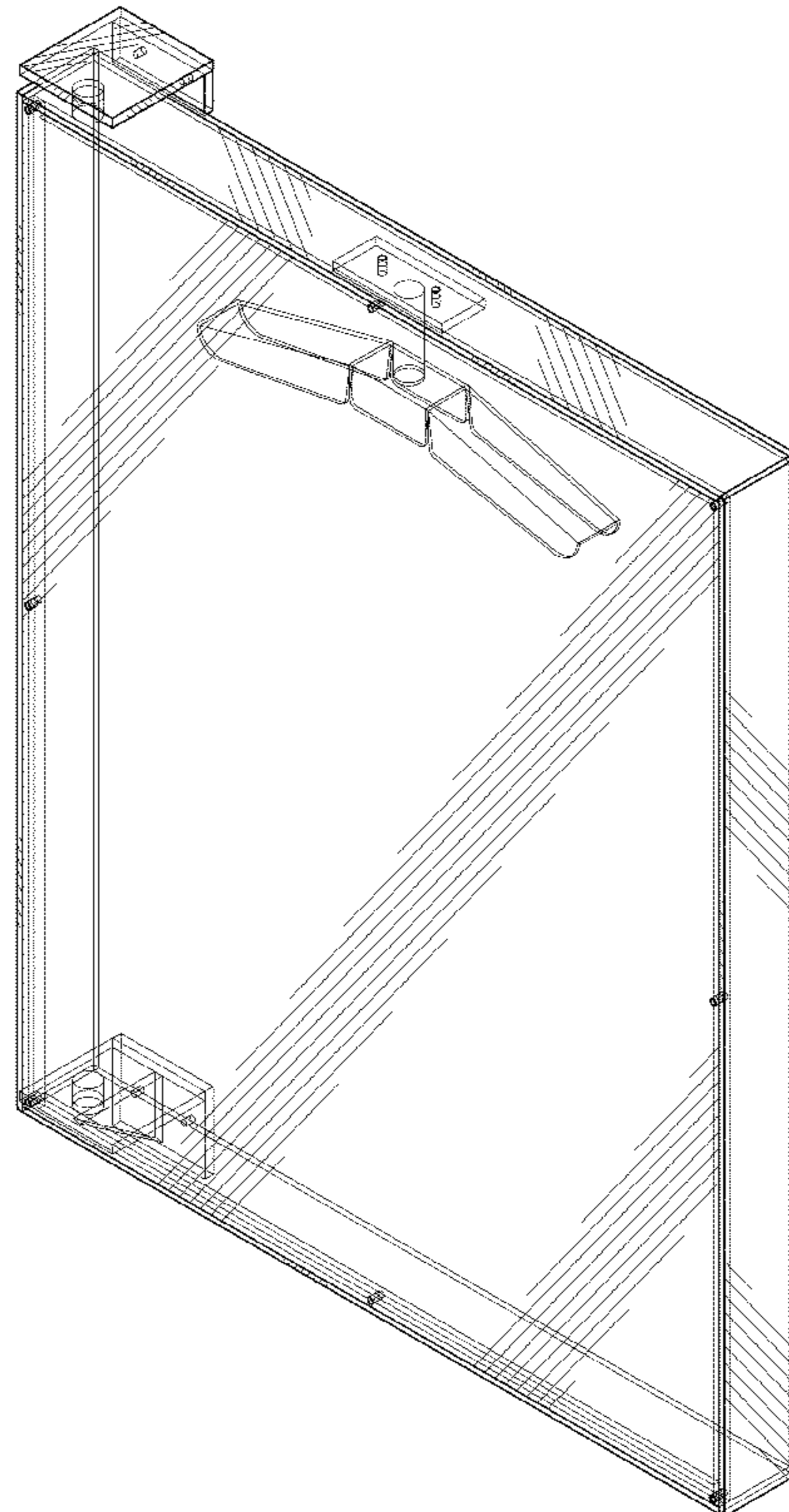
FIG. 1 is an isometric view of my design;
FIG. 2 is a plan view of my design shown in FIG. 1;
FIG. 3 is a side view of my design shown in FIG. 1;
FIG. 4 is a side view of my design taken of the side opposed to the side shown in FIG. 3;
FIG. 5 is a top view of my design shown in FIG. 1;
FIG. 6 is a bottom view of my design shown in FIG. 1;
FIG. 7 is a detail view of the top hinge of my design shown in FIG. 1;
FIG. 8 is a detail view of the bottom hinge of my design shown in FIG. 1; and,
FIG. 9 is a detail view of a transparent screw of my design shown in FIG. 1.

(56) **References Cited**

U.S. PATENT DOCUMENTS

D271,168 S * 11/1983 Antonczyk D6/559
D306,947 S * 4/1990 Sanfilippo D6/559
D400,930 S * 11/1998 Smith D6/559
D577,236 S * 9/2008 Deutsh et al. D6/559

1 Claim, 6 Drawing Sheets



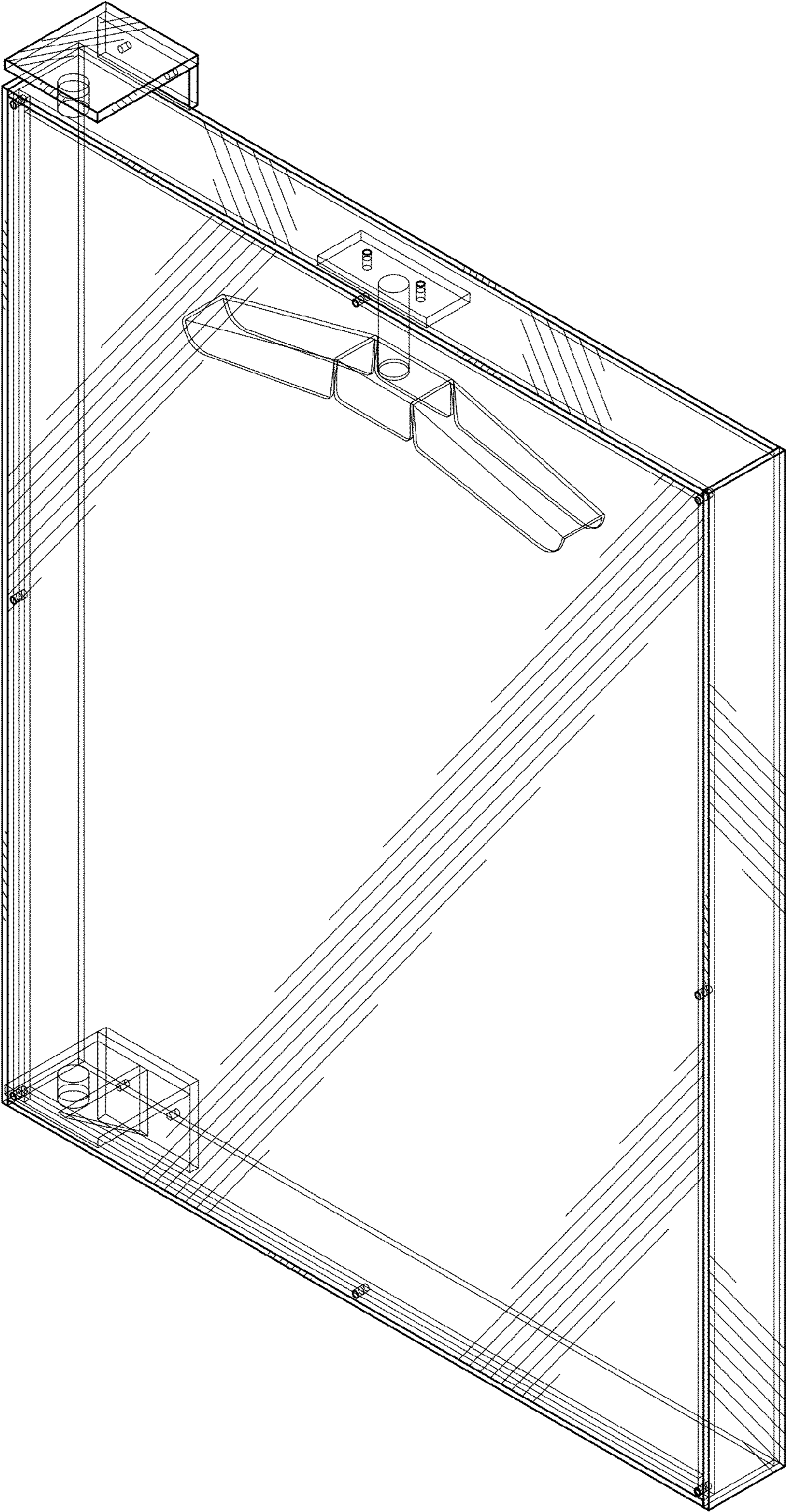


FIG. 1

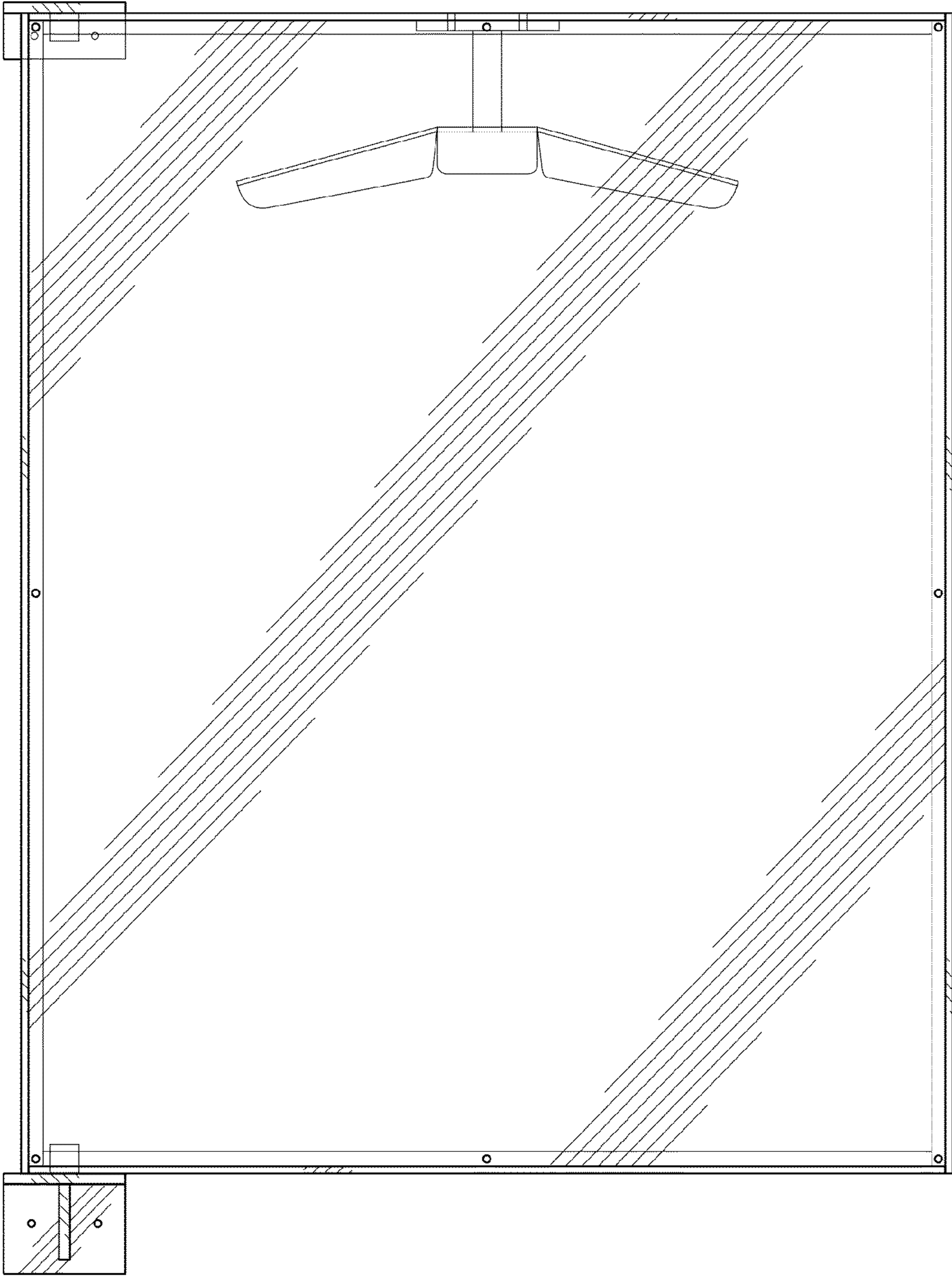


FIG. 2

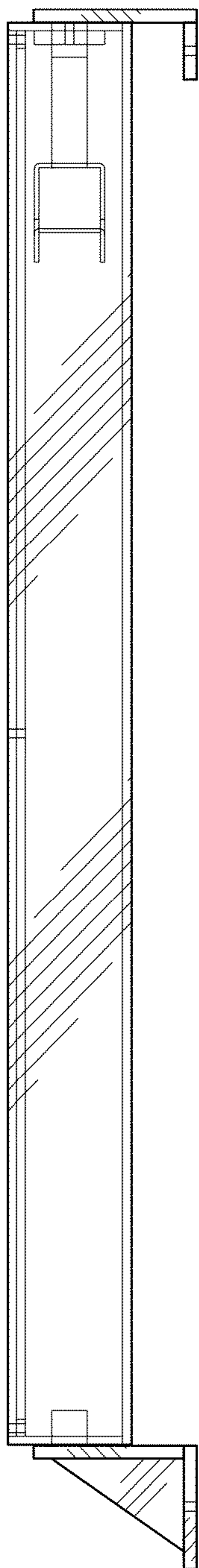


FIG. 3

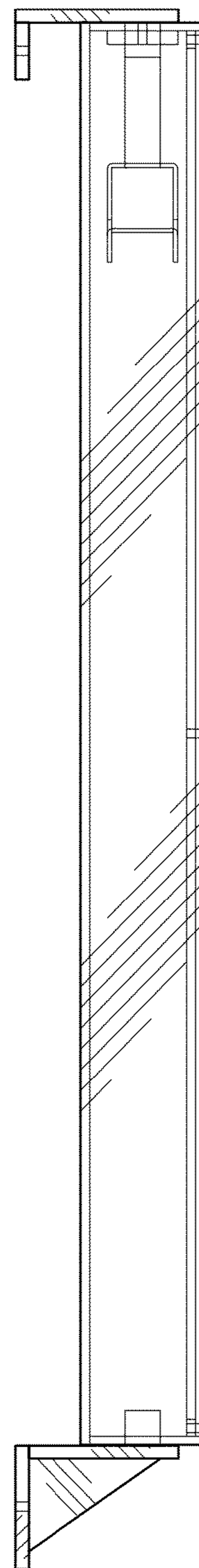


FIG. 4

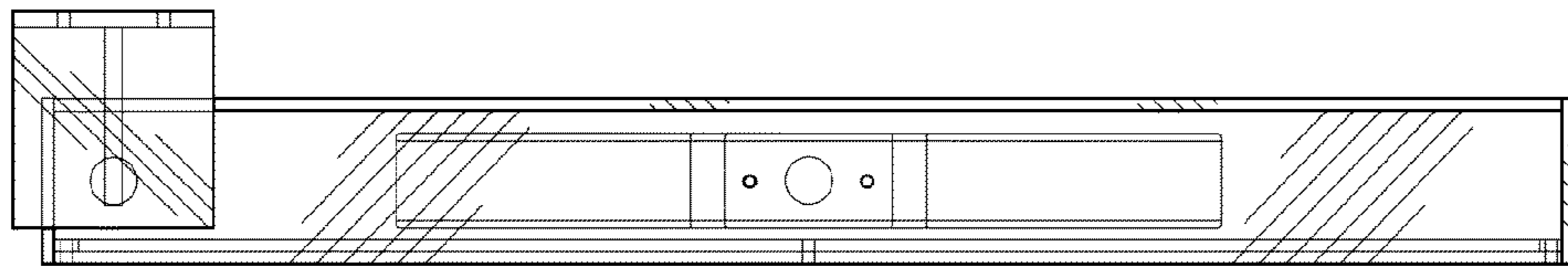


FIG. 5

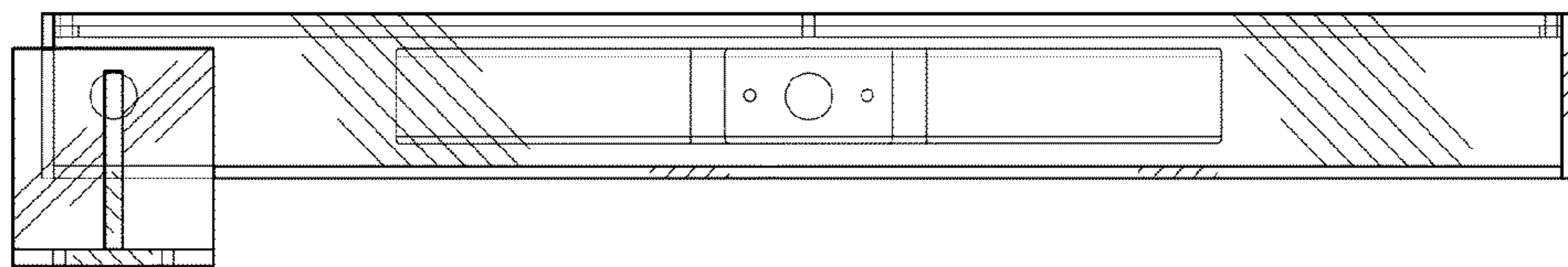


FIG. 6

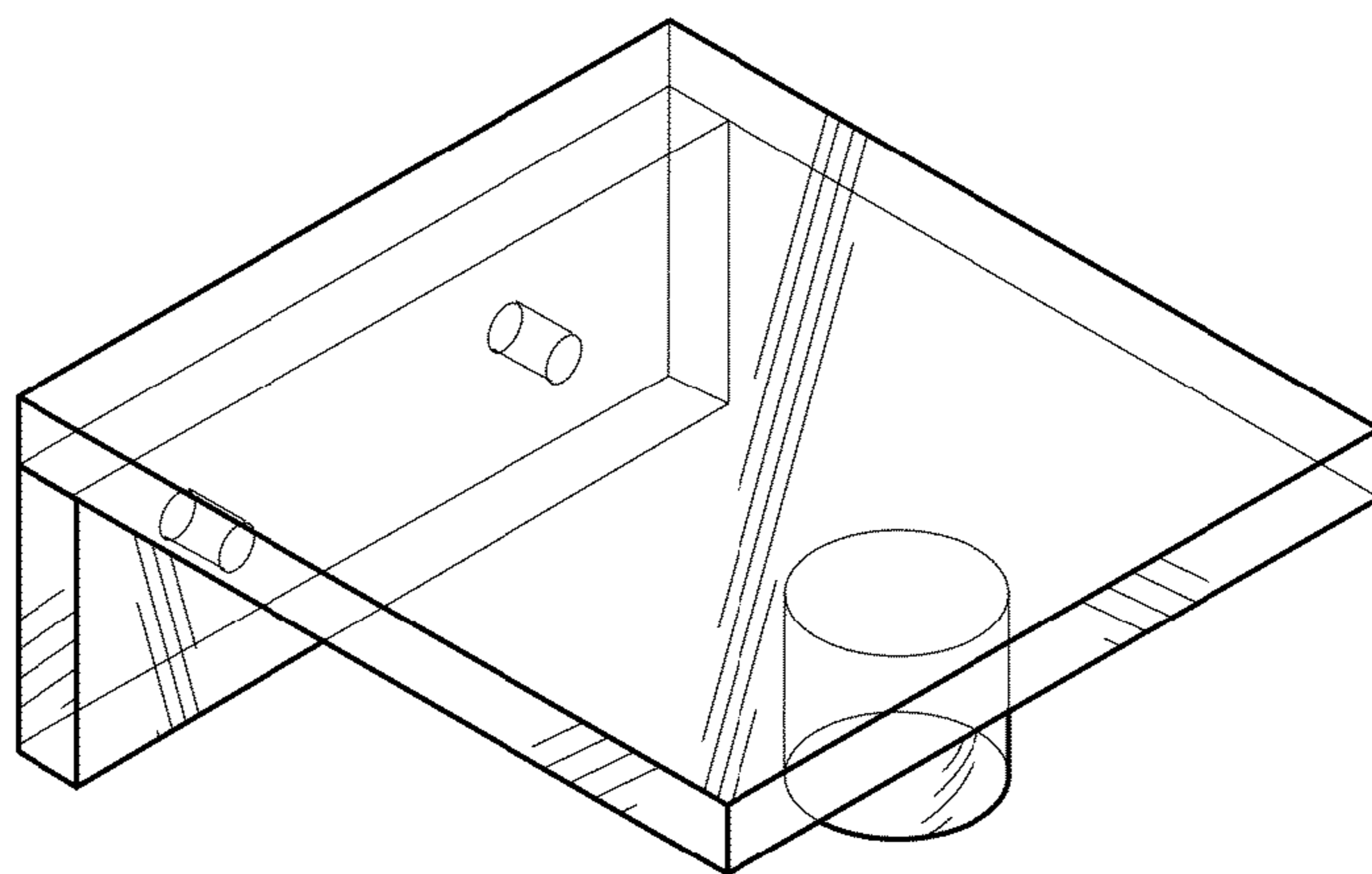


FIG. 7

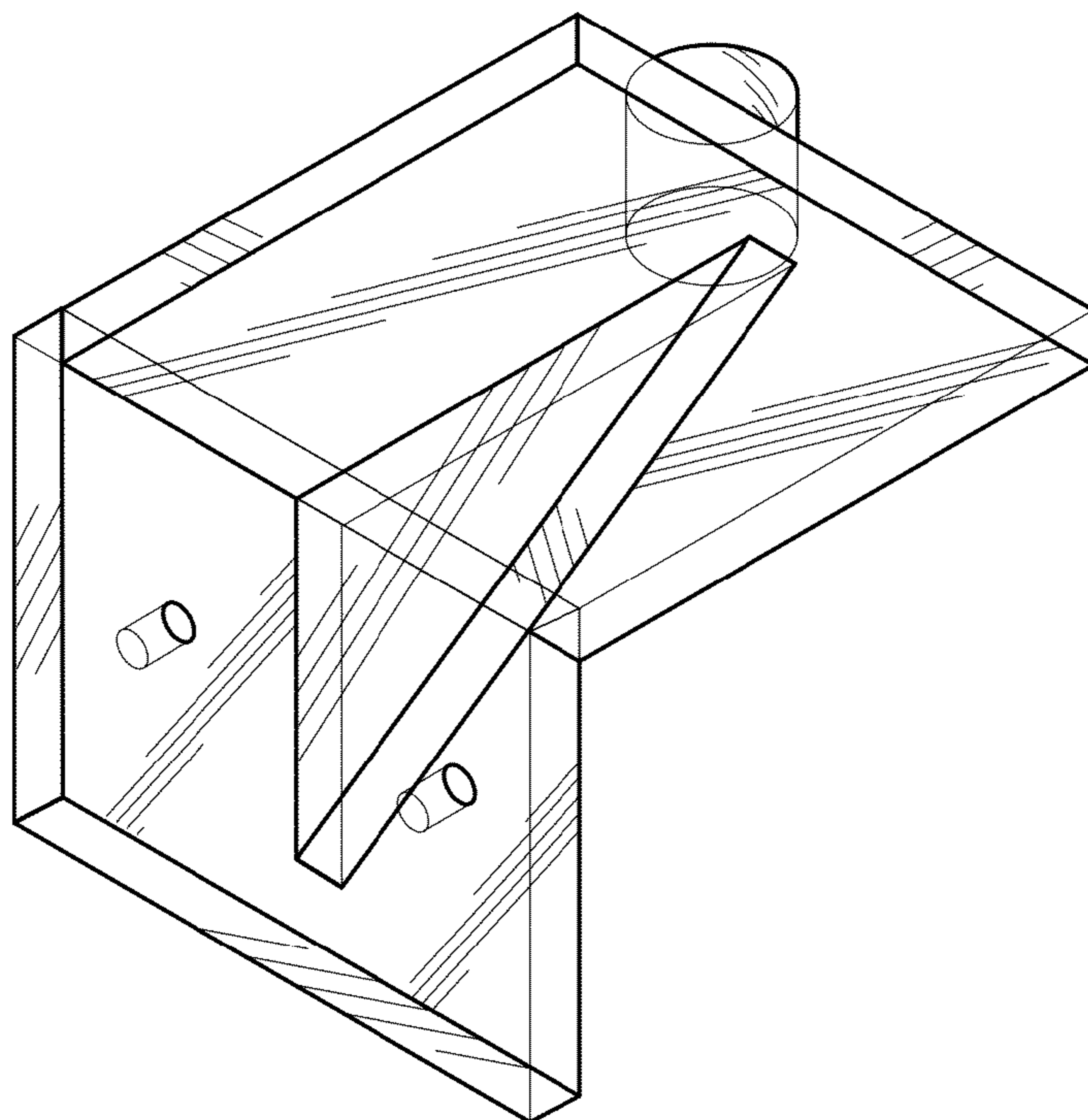


FIG. 8

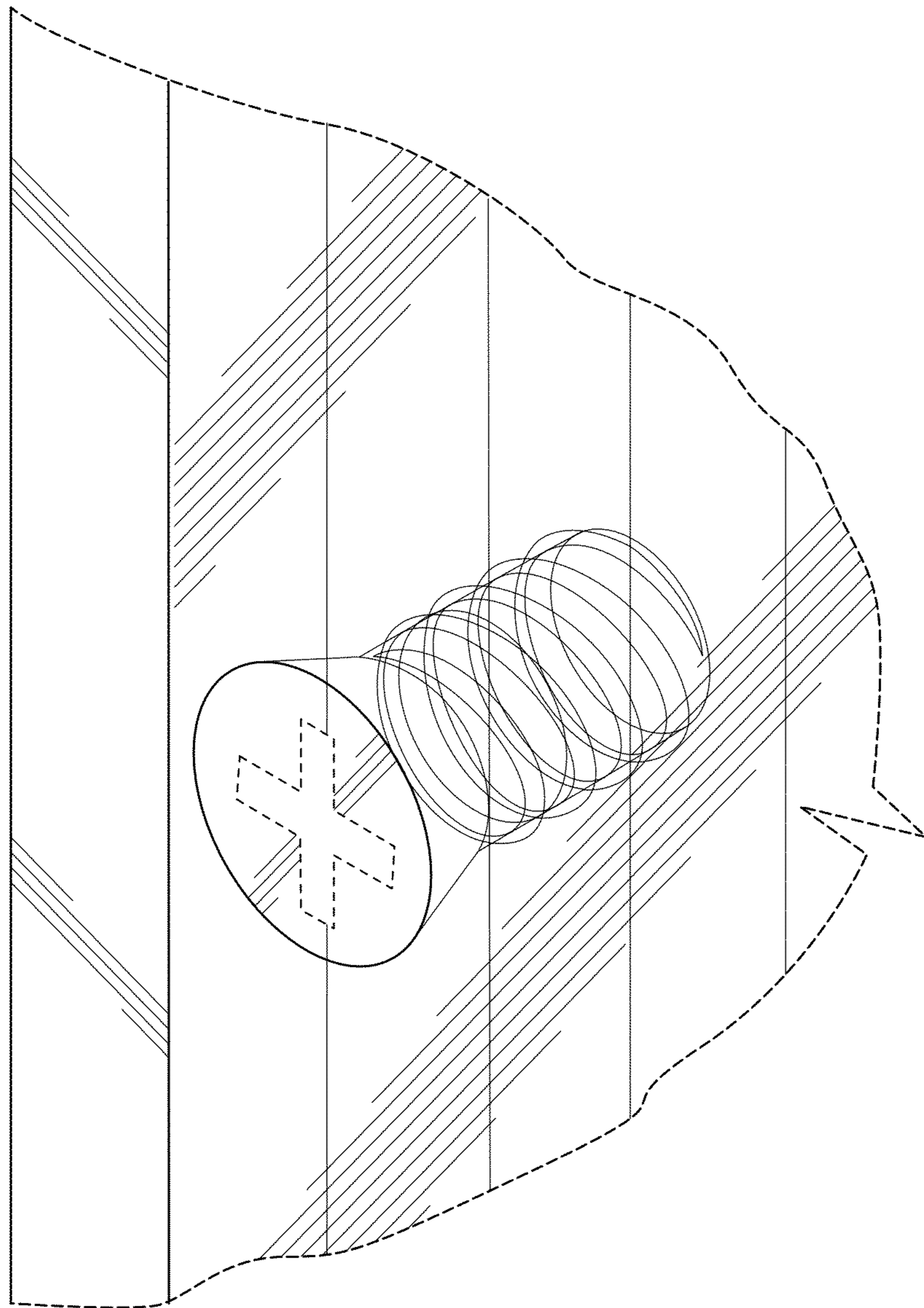


FIG. 9