



US00D704956S

(12) **United States Design Patent**
English

(10) **Patent No.:** **US D704,956 S**

(45) **Date of Patent:** **** May 20, 2014**

(54) **WEIGHT TREE**

D599,601 S * 9/2009 Mallen D6/552
D603,637 S * 11/2009 Anderson et al. D6/552
D677,504 S * 3/2013 Childs D6/552

(71) Applicant: **Steven E. English**, Honolulu, HI (US)

* cited by examiner

(72) Inventor: **Steven E. English**, Honolulu, HI (US)

Primary Examiner — Brian N Vinson

(**) Term: **14 Years**

(74) *Attorney, Agent, or Firm* — Schwabe, Williamson & Wyatt, P.C.

(21) Appl. No.: **29/469,397**

(22) Filed: **Oct. 9, 2013**

(57) **CLAIM**

(51) **LOC (10) Cl.** **23-02**

I claim the ornamental design for a weight tree, as shown and described.

(52) **U.S. Cl.**

USPC **D6/552**

DESCRIPTION

(58) **Field of Classification Search**

USPC D6/552, 566, 396, 397, 449, 455;
D21/785; 108/28, 59, 91, 150;
206/315.91; 211/13.1, 14, 85.23;
248/309.1; D7/600.4

See application file for complete search history.

FIG. 1 is a perspective view of a weight tree, showing my new design;
FIG. 2 is a front view thereof;
FIG. 3 is a back view thereof;
FIG. 4 is a left side view thereof;
FIG. 5 is right side view thereof;
FIG. 6 is a top view thereof; and,
FIG. 7 is a bottom view thereof.

(56) **References Cited**

U.S. PATENT DOCUMENTS

D468,946 S * 1/2003 Harms et al. D6/552
D560,089 S * 1/2008 DeMeyer D6/552
D565,673 S * 4/2008 Lien et al. D6/552

The dashed lines are included for illustrating environmental structure and form no part of the claimed design.

1 Claim, 6 Drawing Sheets

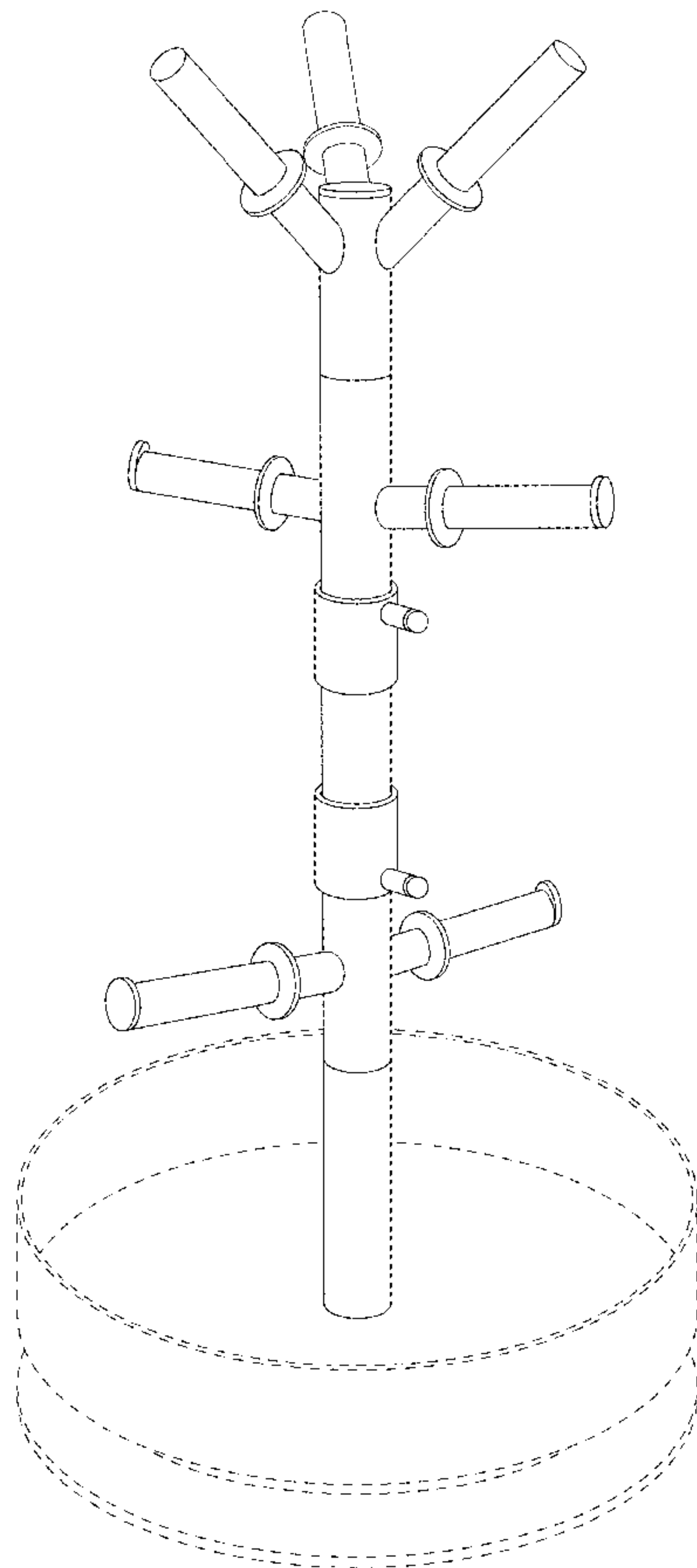


Fig. 1

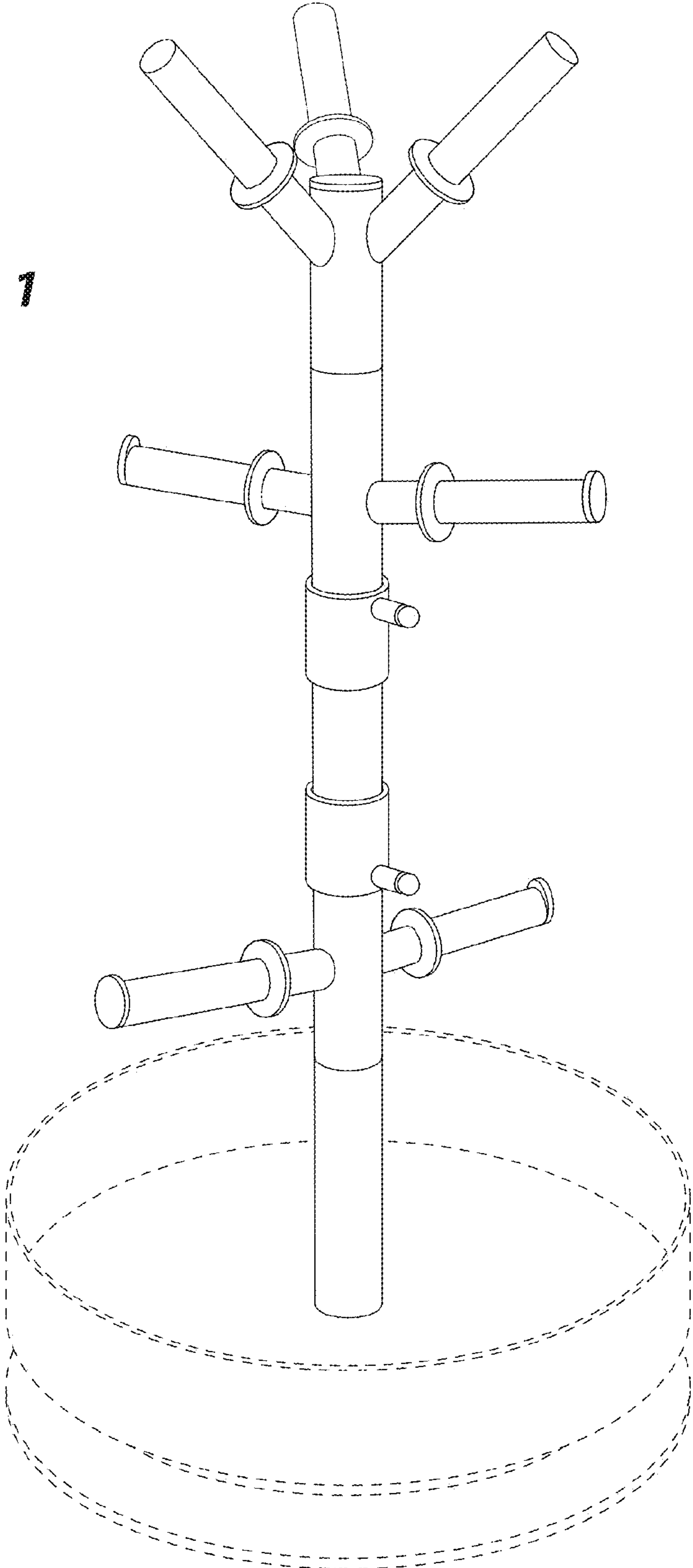


Fig. 2

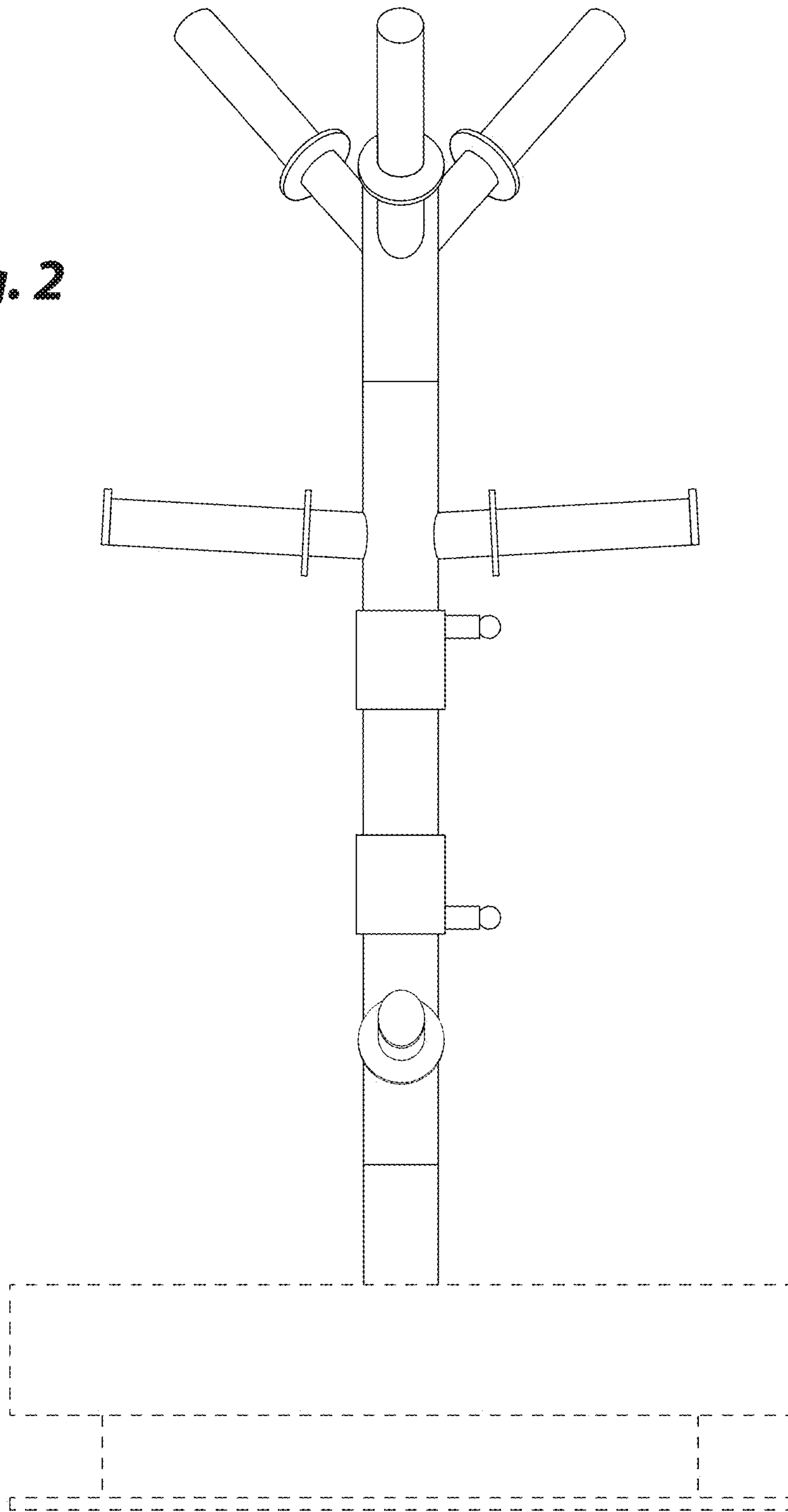
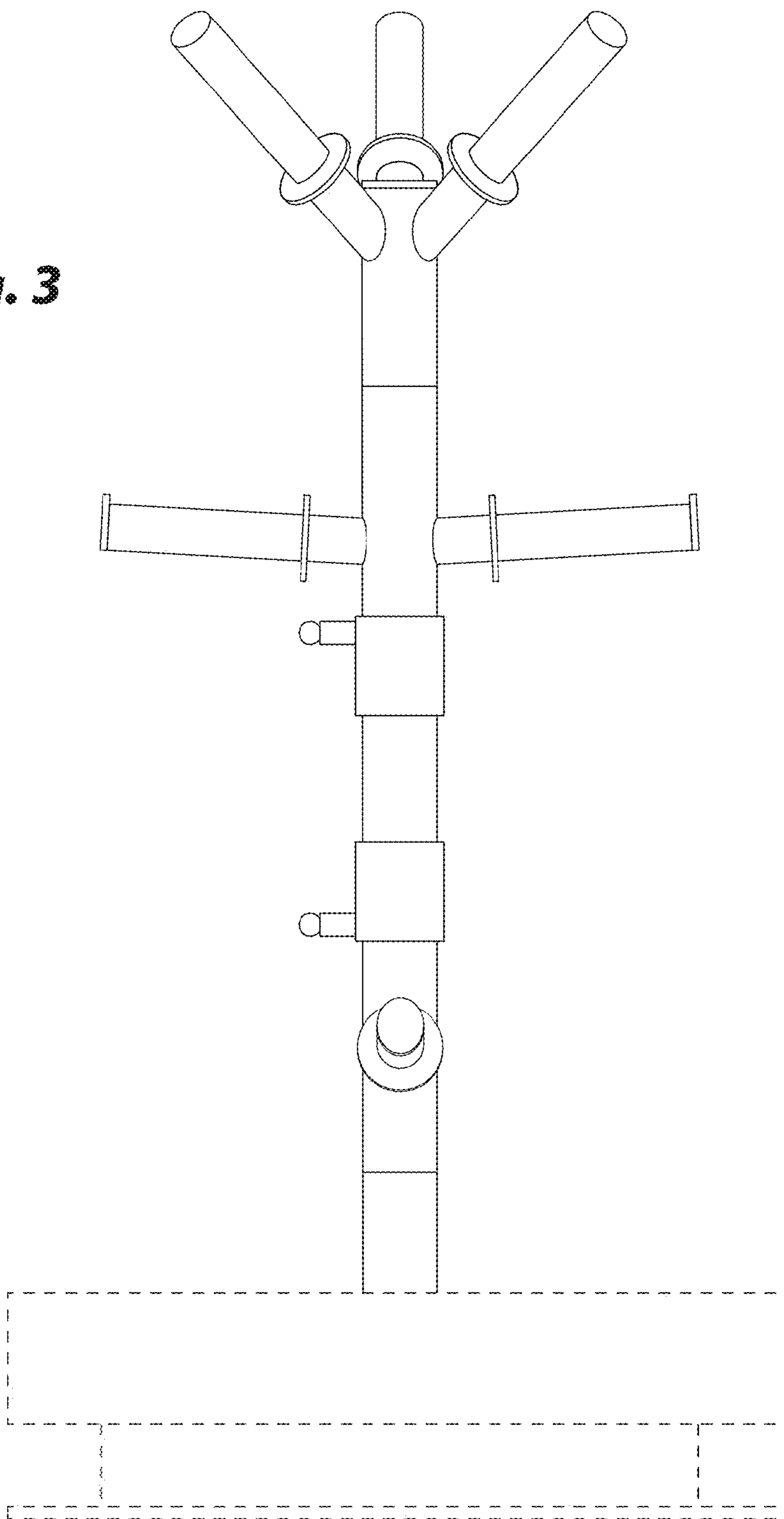


Fig. 3



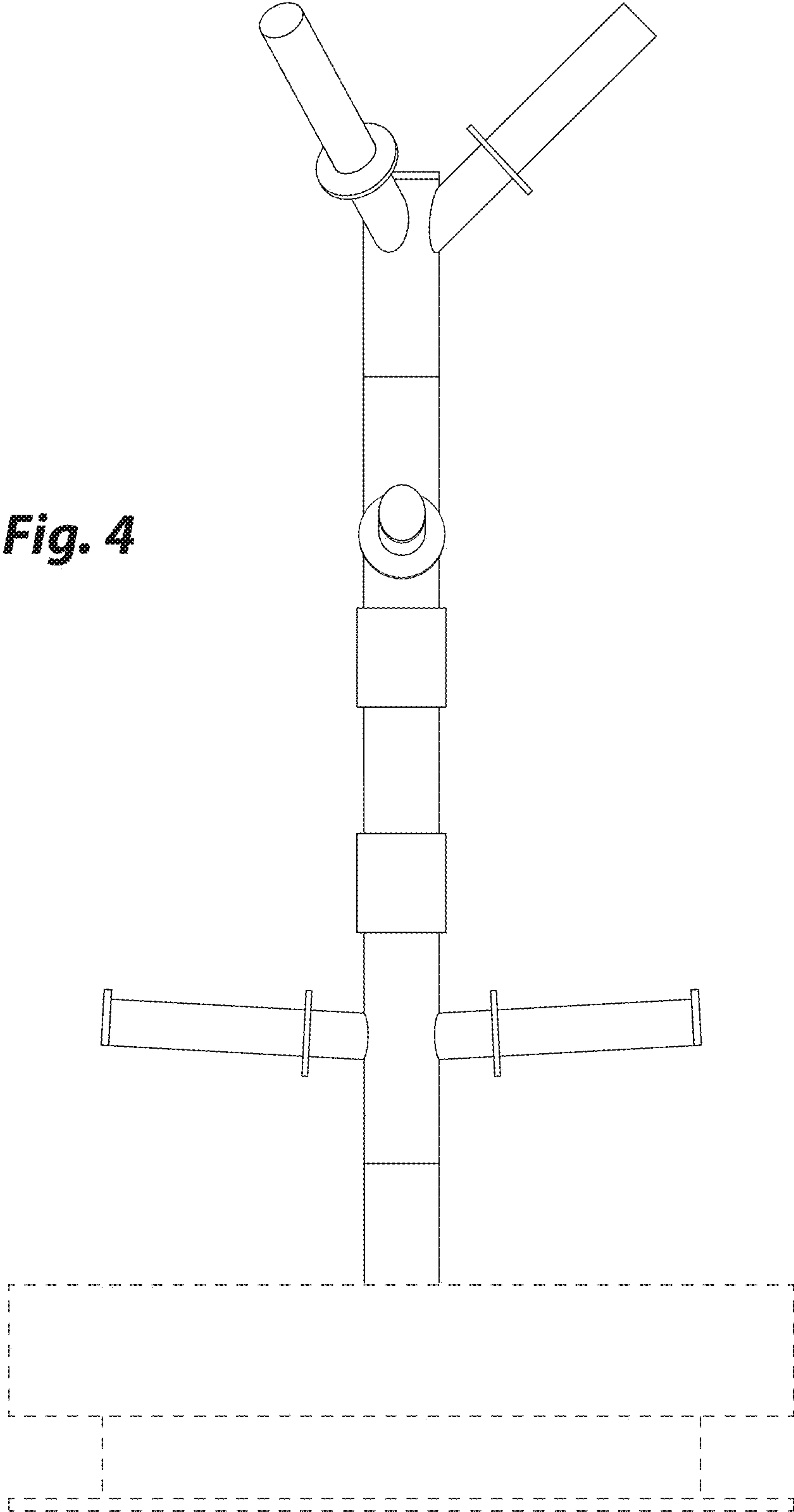


Fig. 4

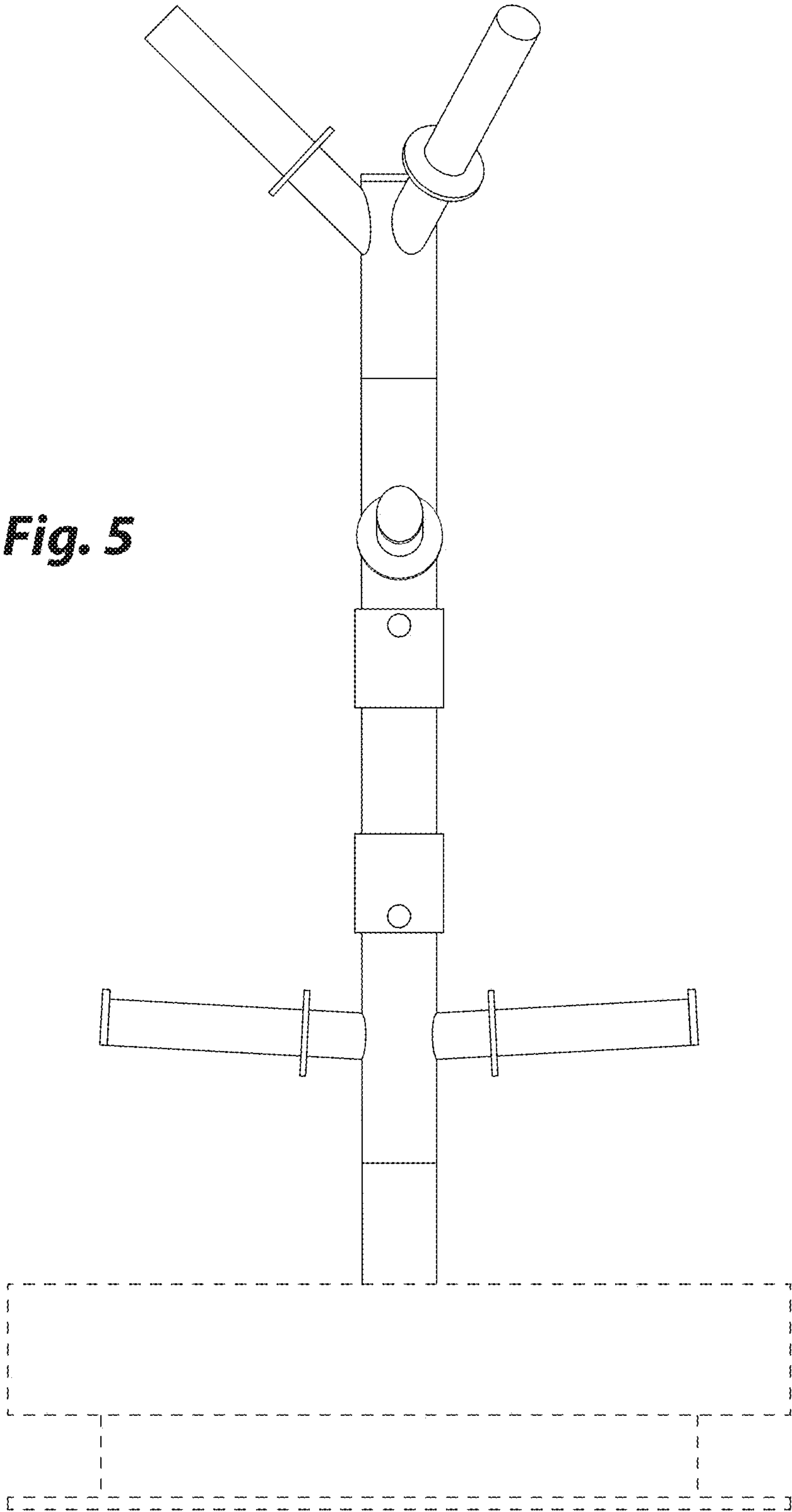


Fig. 5

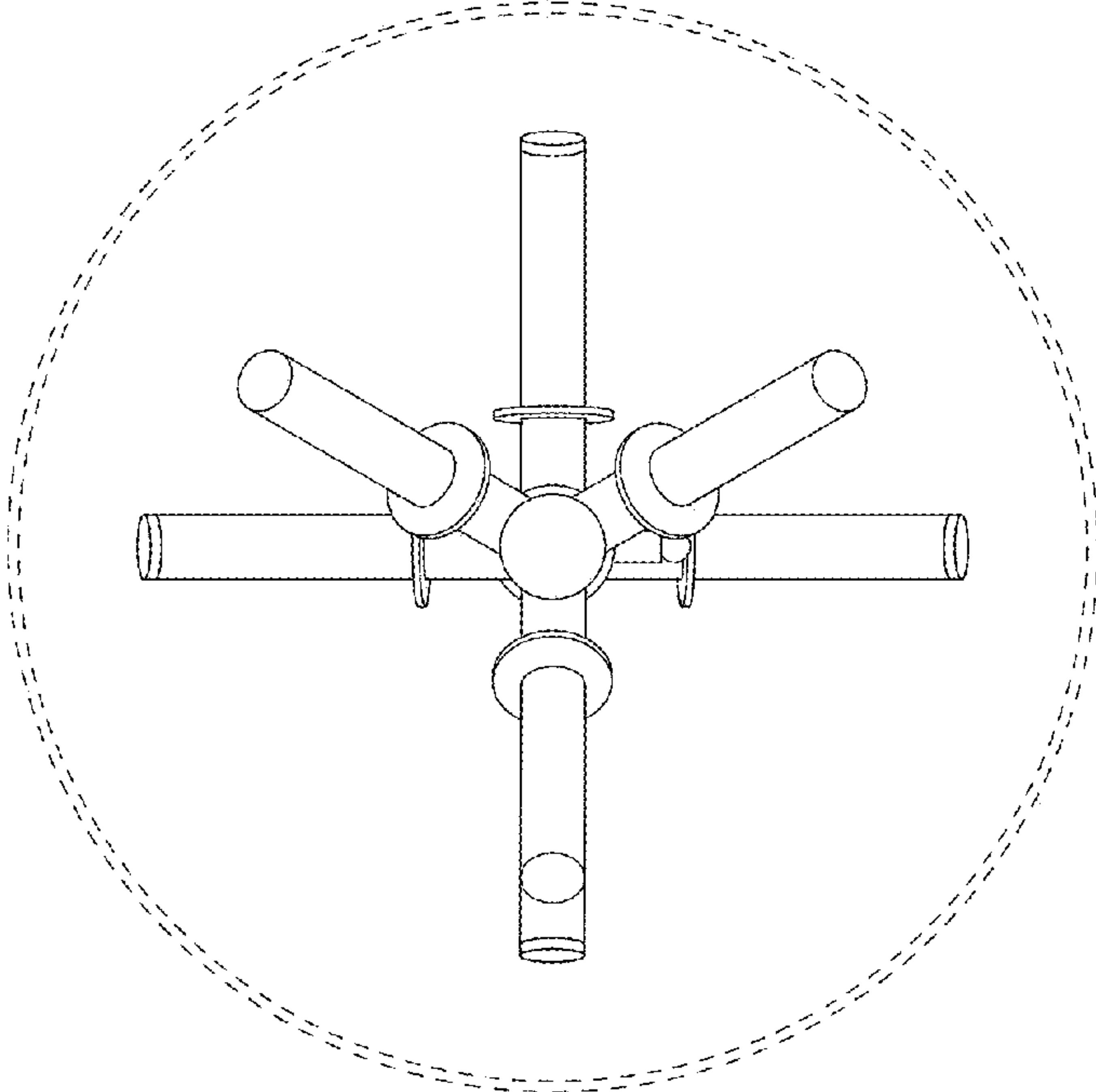


Fig. 6

Fig. 7

