



US00D704954S

(12) **United States Design Patent**
Lee

(10) **Patent No.:** **US D704,954 S**

(45) **Date of Patent:** **** May 20, 2014**

(54) **SOAP HOLDER**

(71) Applicant: **Kuo-Jen Lee**, Tainan (TW)

(72) Inventor: **Kuo-Jen Lee**, Tainan (TW)

(**) Term: **14 Years**

(21) Appl. No.: **29/466,299**

(22) Filed: **Sep. 6, 2013**

(51) **LOC (10) Cl.** **23-02**

(52) **U.S. Cl.**
USPC **D6/536**

(58) **Field of Classification Search**
USPC D6/536-540, 532; D7/502, 550, 554.2;
D9/682, 690, 692; 206/77.1, 557, 587,
206/823; 211/13.1, 85.4, 85.12, 88.01;
248/176.1

See application file for complete search history.

(56) **References Cited**

U.S. PATENT DOCUMENTS

D151,211 S * 10/1948 Bradbury D6/540
D154,923 S * 8/1949 Heliote D6/536

3,407,939 A * 10/1968 Villar-Kelly D6/540
D355,806 S * 2/1995 Goodman et al. D6/536
D385,137 S * 10/1997 von Seidel D6/536

* cited by examiner

Primary Examiner — Brian N Vinson

(74) *Attorney, Agent, or Firm* — Rosenberg, Klein & Lee

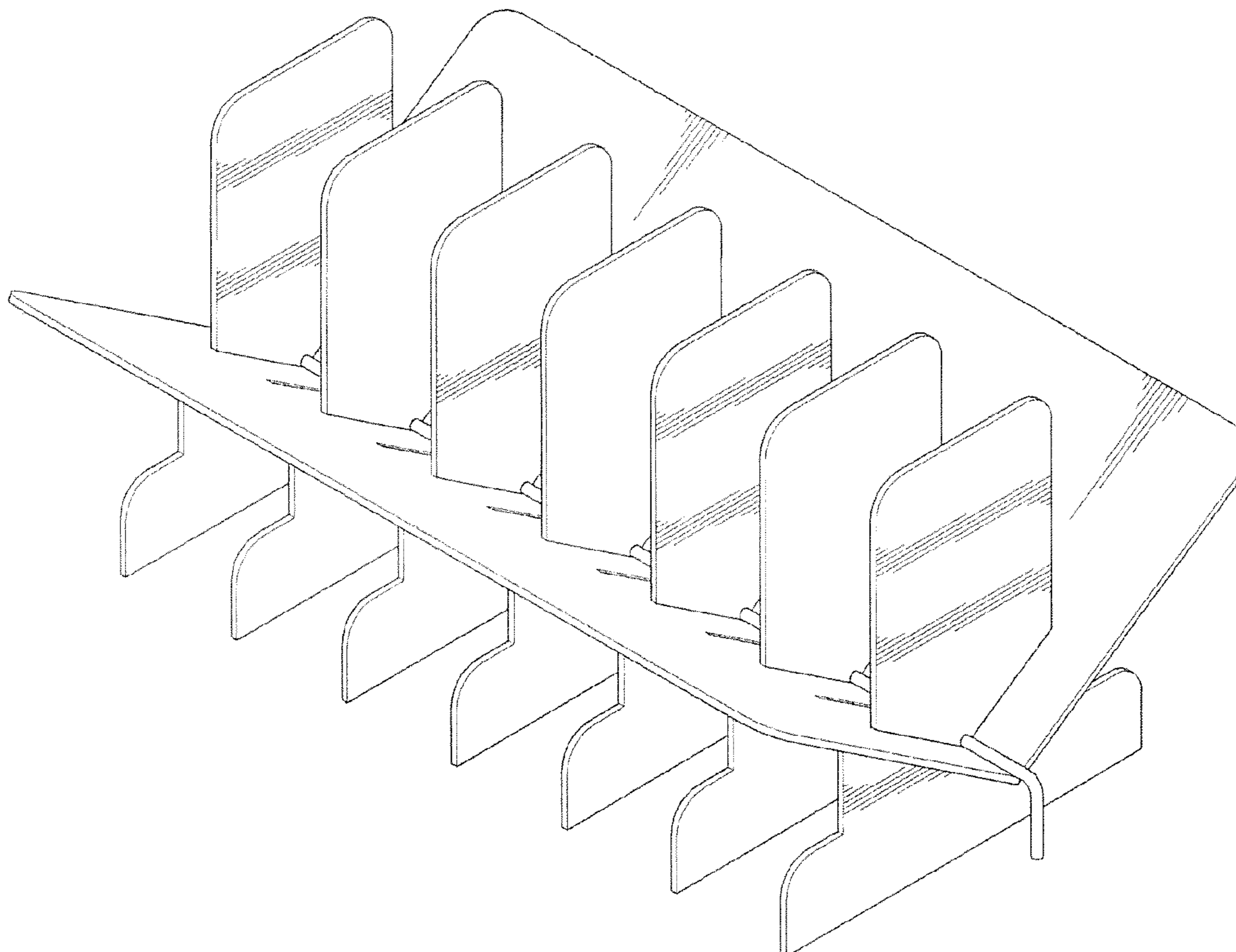
(57) **CLAIM**

The ornamental design for a soap holder, as shown and described.

DESCRIPTION

FIG. 1 is a perspective view of a soap holder showing my new design;
FIG. 2 is a front elevational view thereof;
FIG. 3 is a rear elevational view thereof;
FIG. 4 is a left side elevational view thereof;
FIG. 5 is a right side elevational view thereof;
FIG. 6 is a top plan view thereof; and,
FIG. 7 is a bottom plan view thereof.

1 Claim, 7 Drawing Sheets



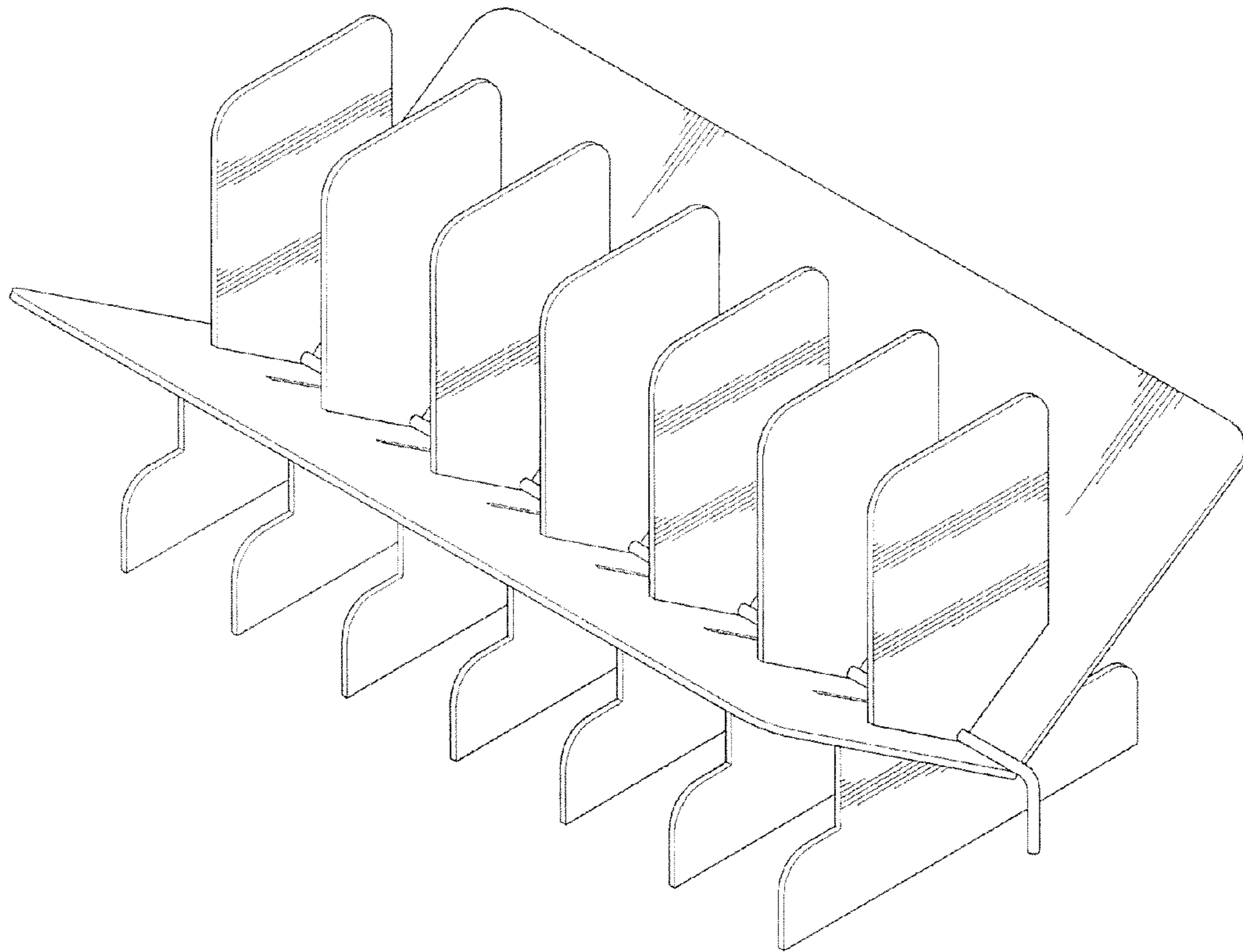


FIG. 1

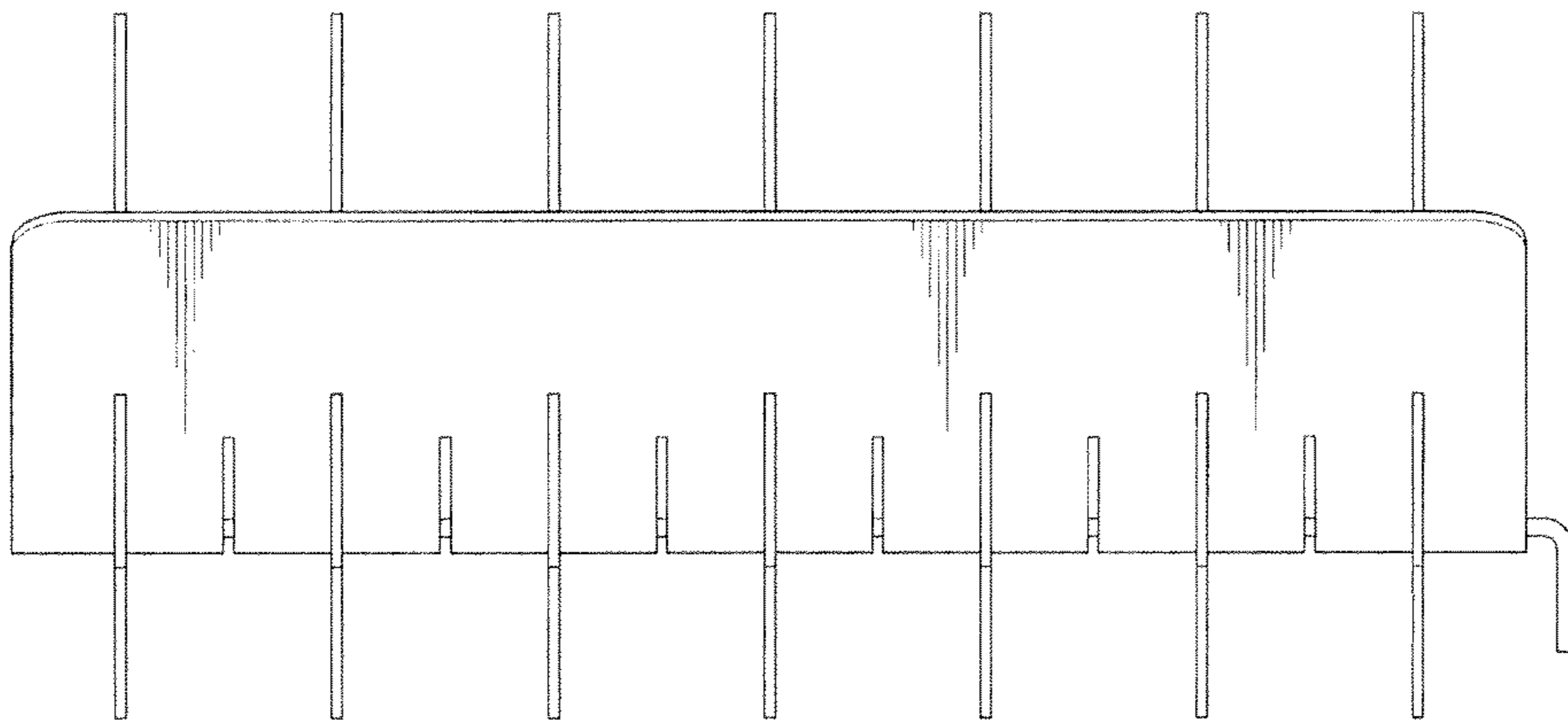


FIG. 2

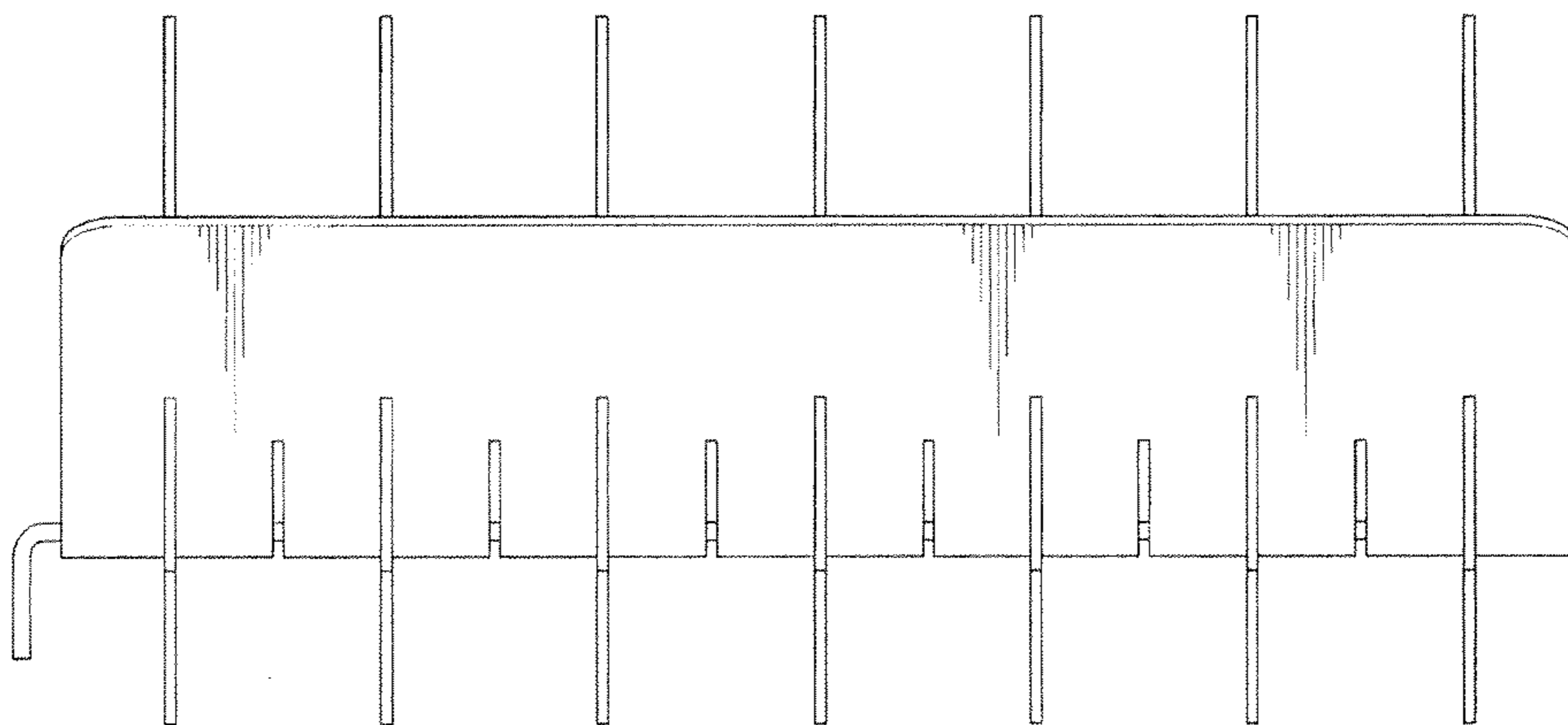


FIG. 3

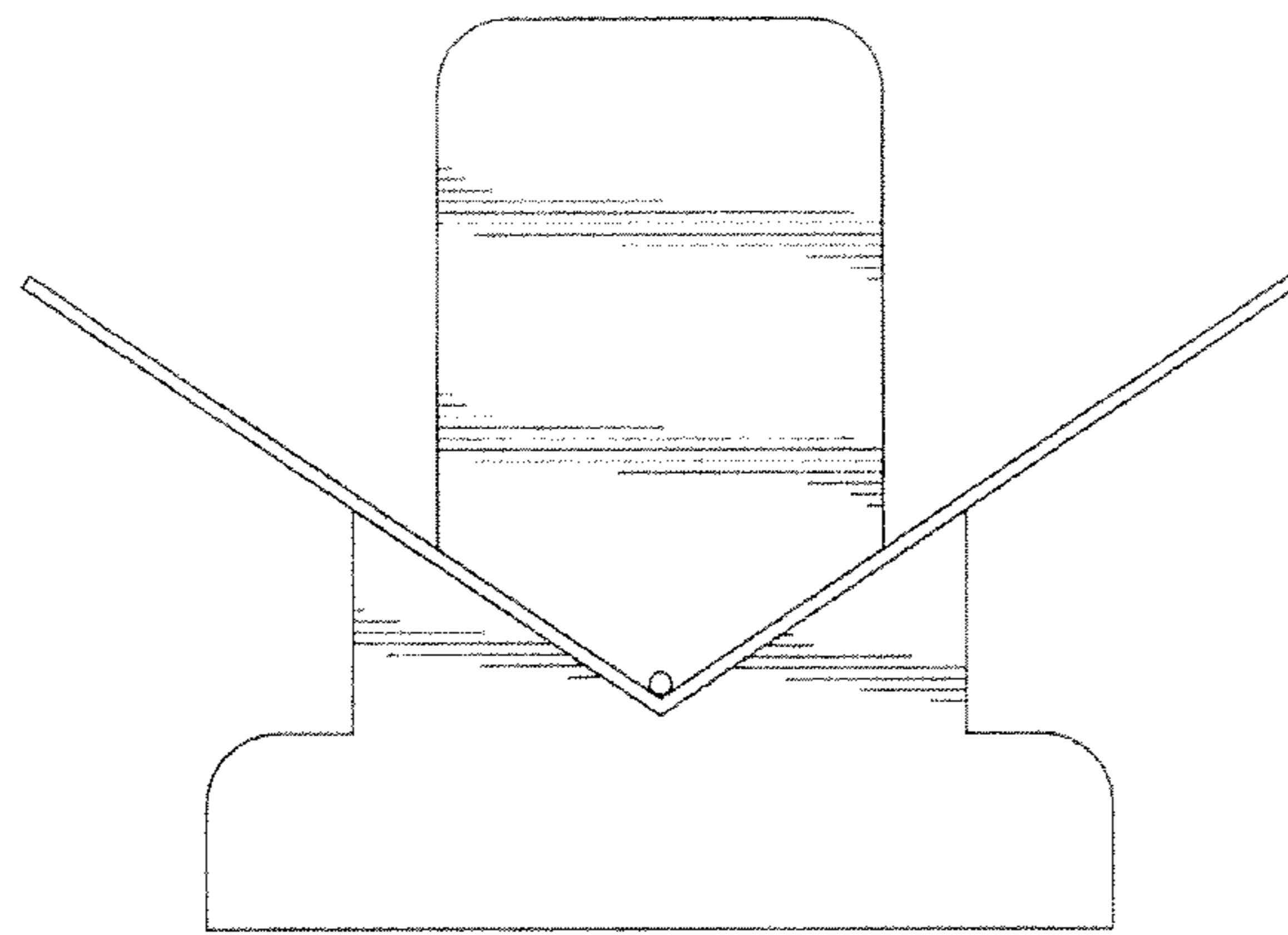


FIG. 4

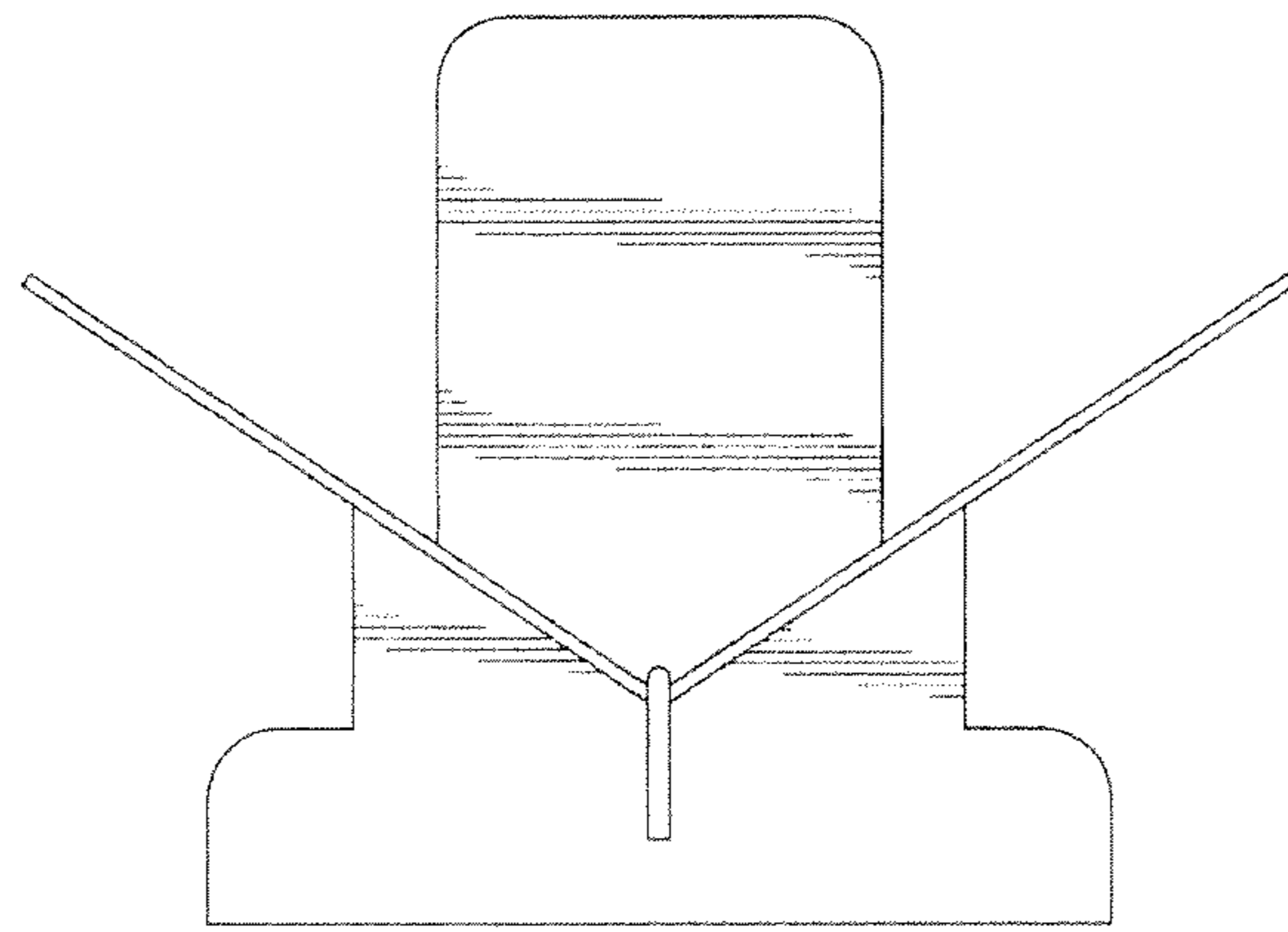


FIG. 5

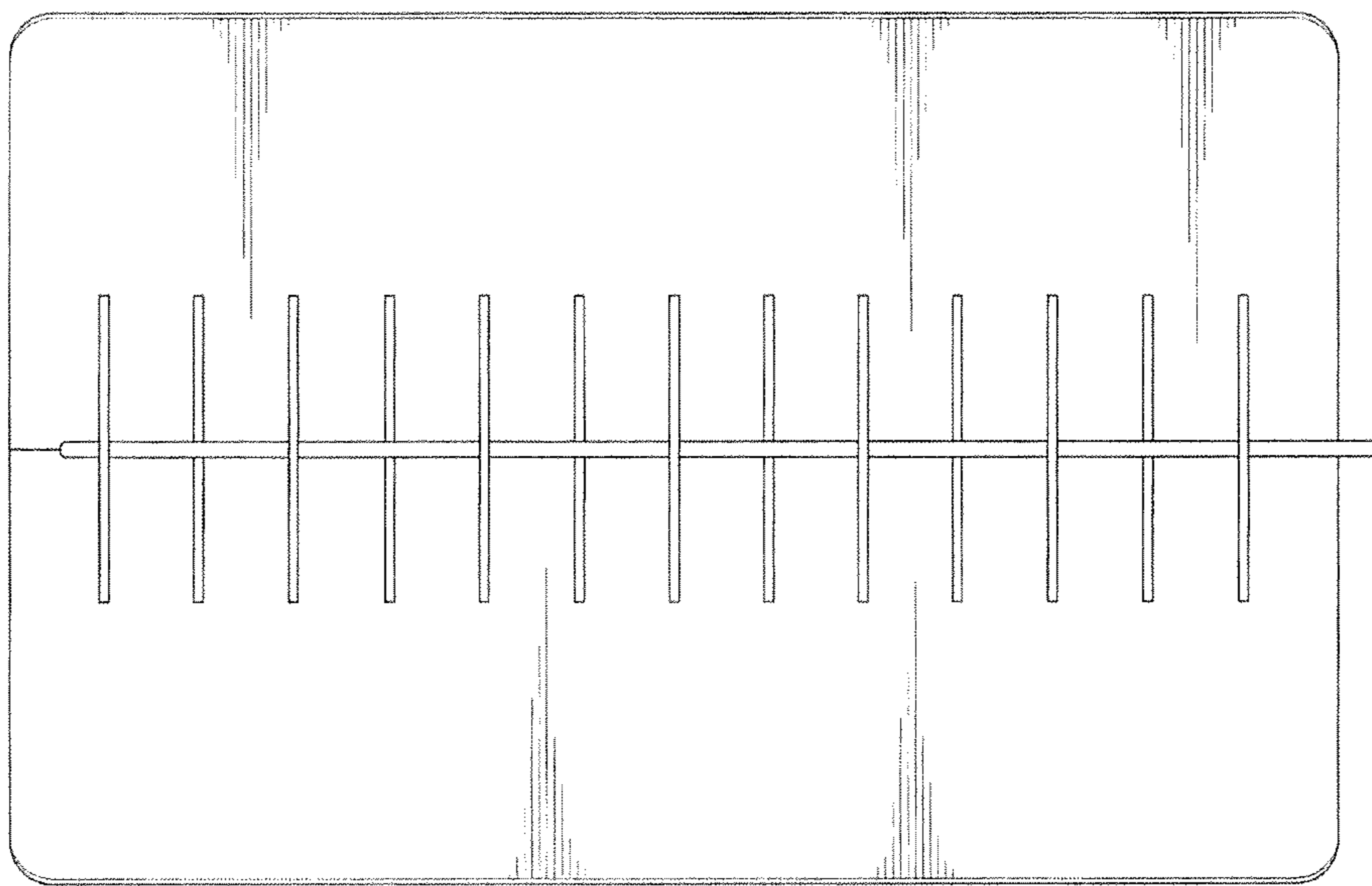


FIG. 6

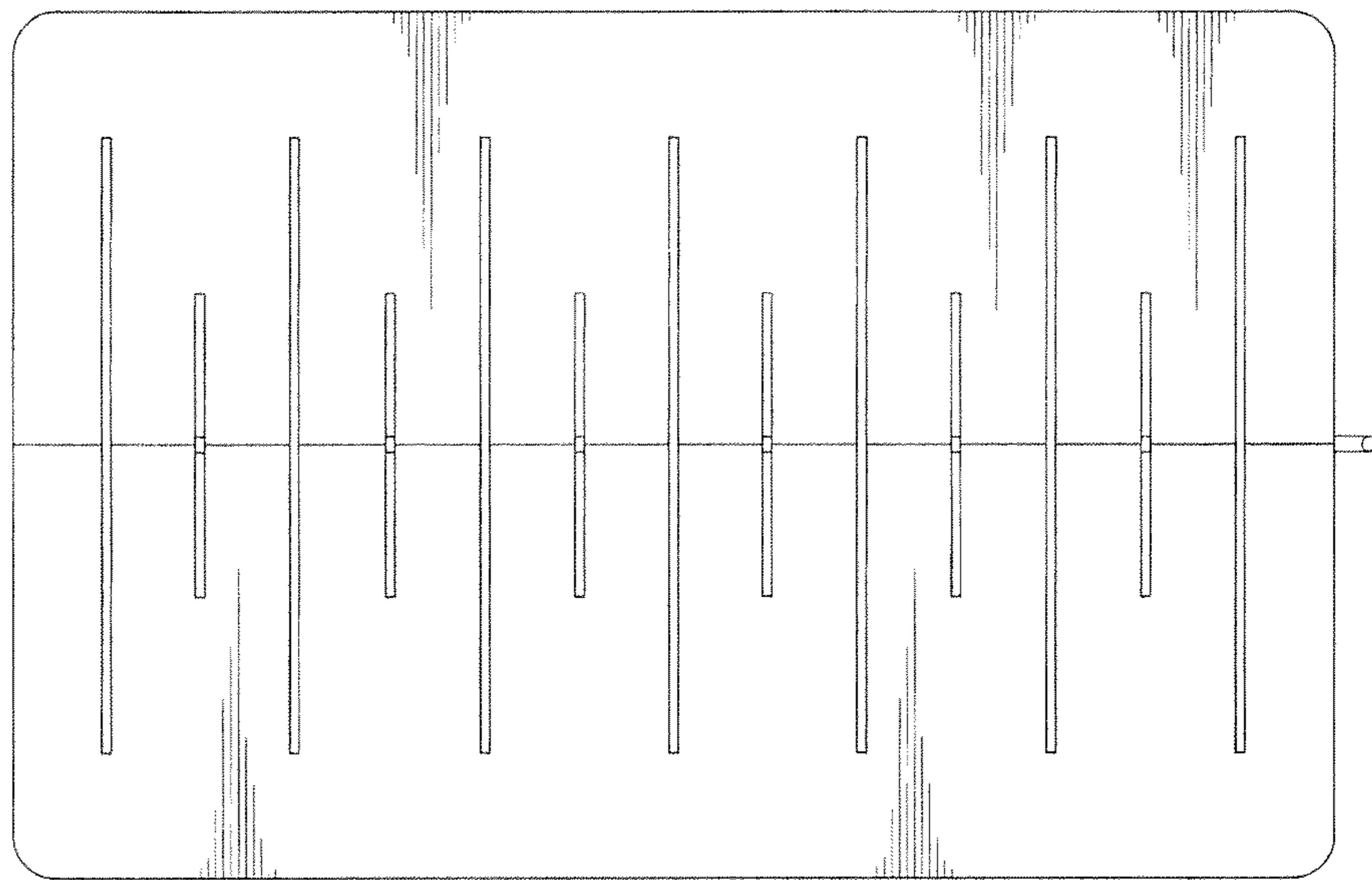


FIG. 7