



US00D704953S

(12) **United States Design Patent**  
**Reitze**

(10) **Patent No.:** **US D704,953 S**

(45) **Date of Patent:** **\*\* May 20, 2014**

(54) **SOAP DISH WITH SPONGE INSERT**

D505,287 S \* 5/2005 Olsen ..... D6/536  
D532,232 S \* 11/2006 Jones ..... D6/536  
D615,789 S \* 5/2010 Scott ..... D6/536

(71) Applicant: **Frederick T. Reitze**, Chicago, IL (US)

(72) Inventor: **Frederick T. Reitze**, Chicago, IL (US)

\* cited by examiner

(\*\*) Term: **14 Years**

*Primary Examiner* — Brian N Vinson

(21) Appl. No.: **29/463,057**

(22) Filed: **Jul. 15, 2013**

(51) **LOC (10) Cl.** ..... **23-02**

(52) **U.S. Cl.**  
USPC ..... **D6/536**

(58) **Field of Classification Search**  
USPC ..... D6/536-540, 532; D7/502, 550, 554.2;  
D9/682, 690, 692; 206/77.1, 557, 587,  
206/823; 211/13.1, 85.4, 85.12, 88.01;  
248/176.1

See application file for complete search history.

(57) **CLAIM**

The ornamental design for a “soap dish with sponge insert,” as shown and described.

**DESCRIPTION**

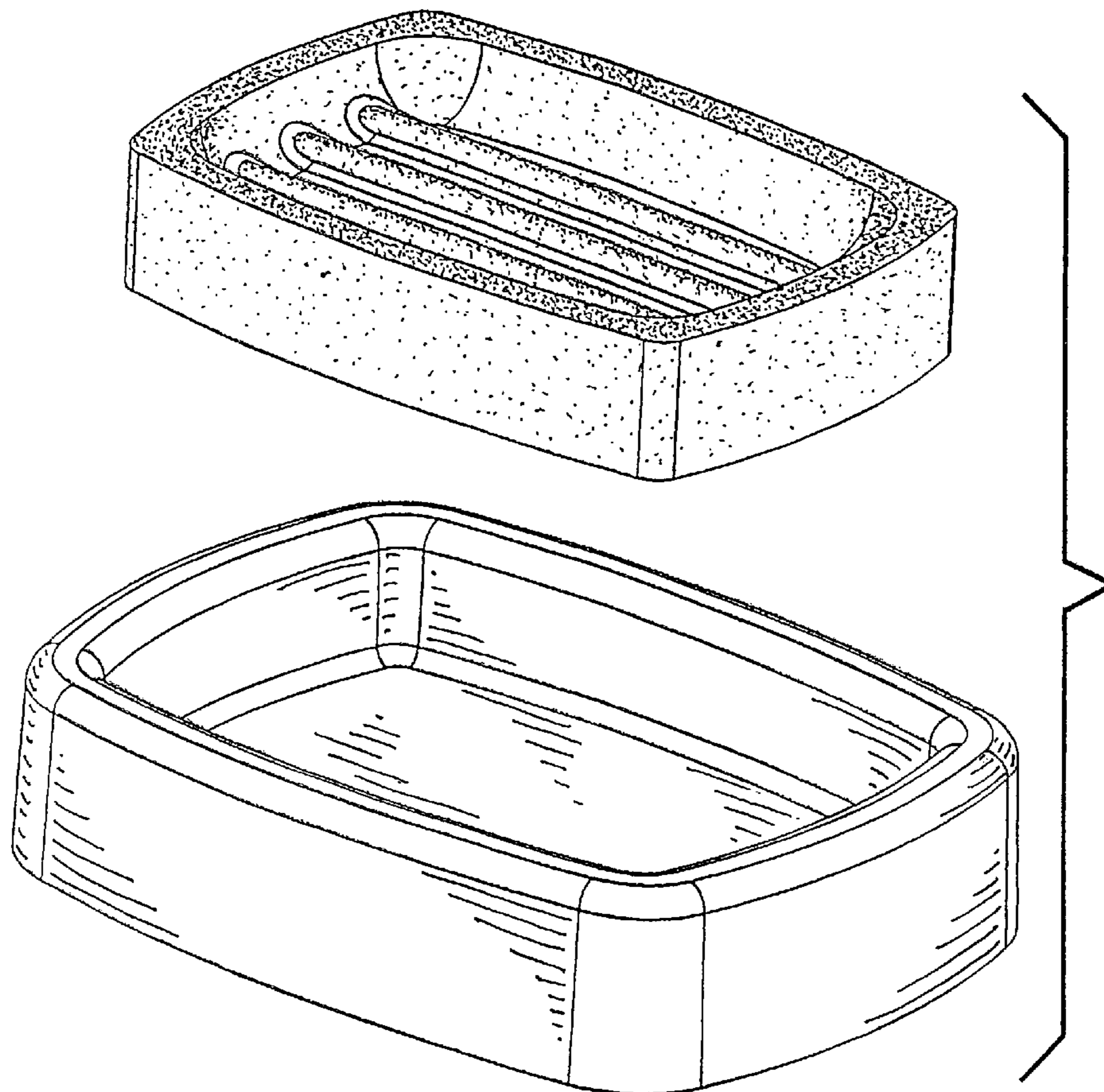
FIG. 1 is a front perspective view of the assembled soap dish with sponge insert.  
FIG. 2 is a top plan view of the assembled soap dish with sponge insert.  
FIG. 3 is an exploded view of the soap dish with sponge insert.  
FIG. 4 is a top plan view of the sponge insert; and,  
FIG. 5 is a top plan view of the soap dish.

(56) **References Cited**

U.S. PATENT DOCUMENTS

2,886,916 A \* 5/1959 Rossi ..... D6/536  
4,422,546 A \* 12/1983 Charity ..... 206/77.1

**1 Claim, 3 Drawing Sheets**



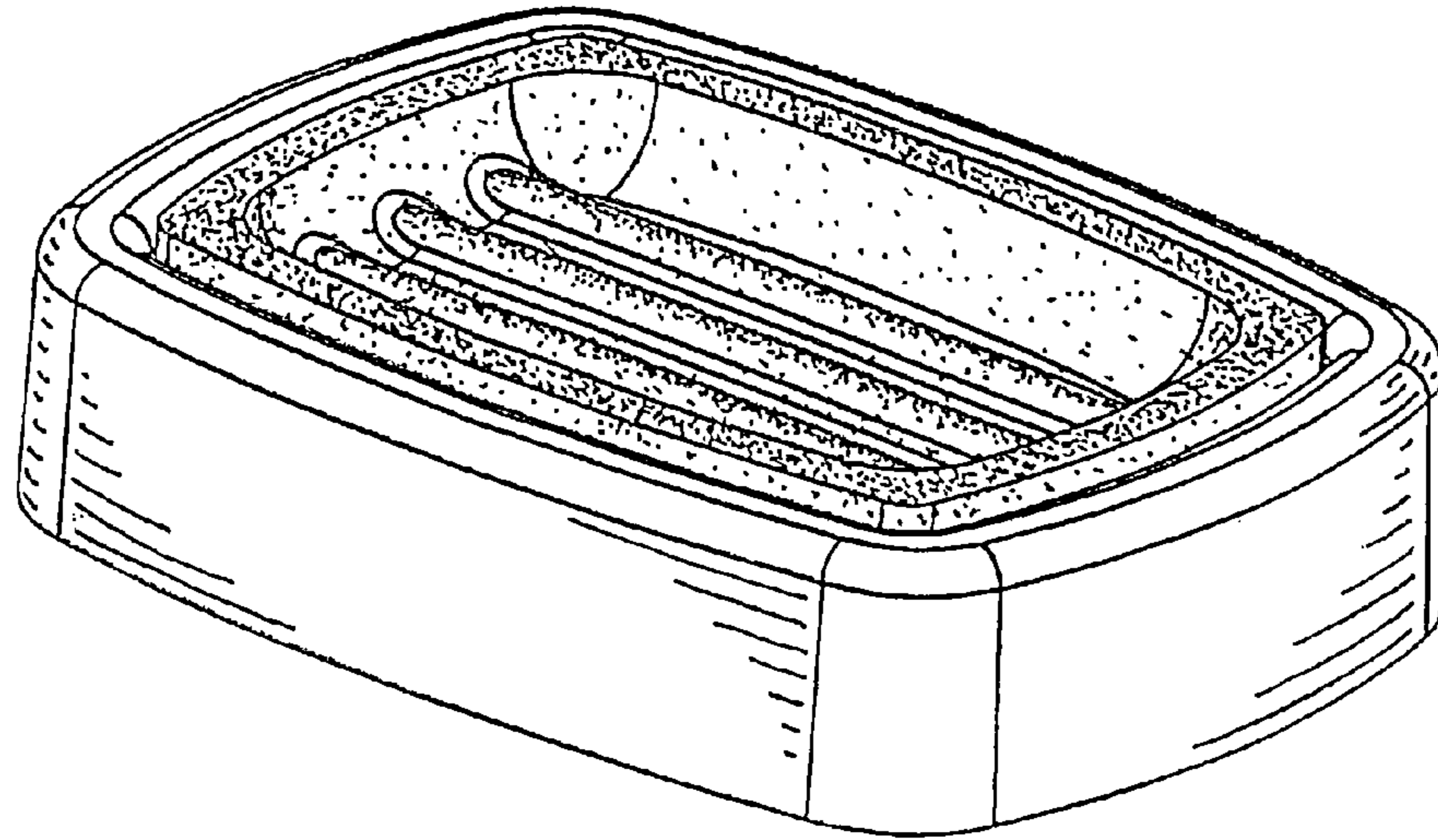


Figure 1

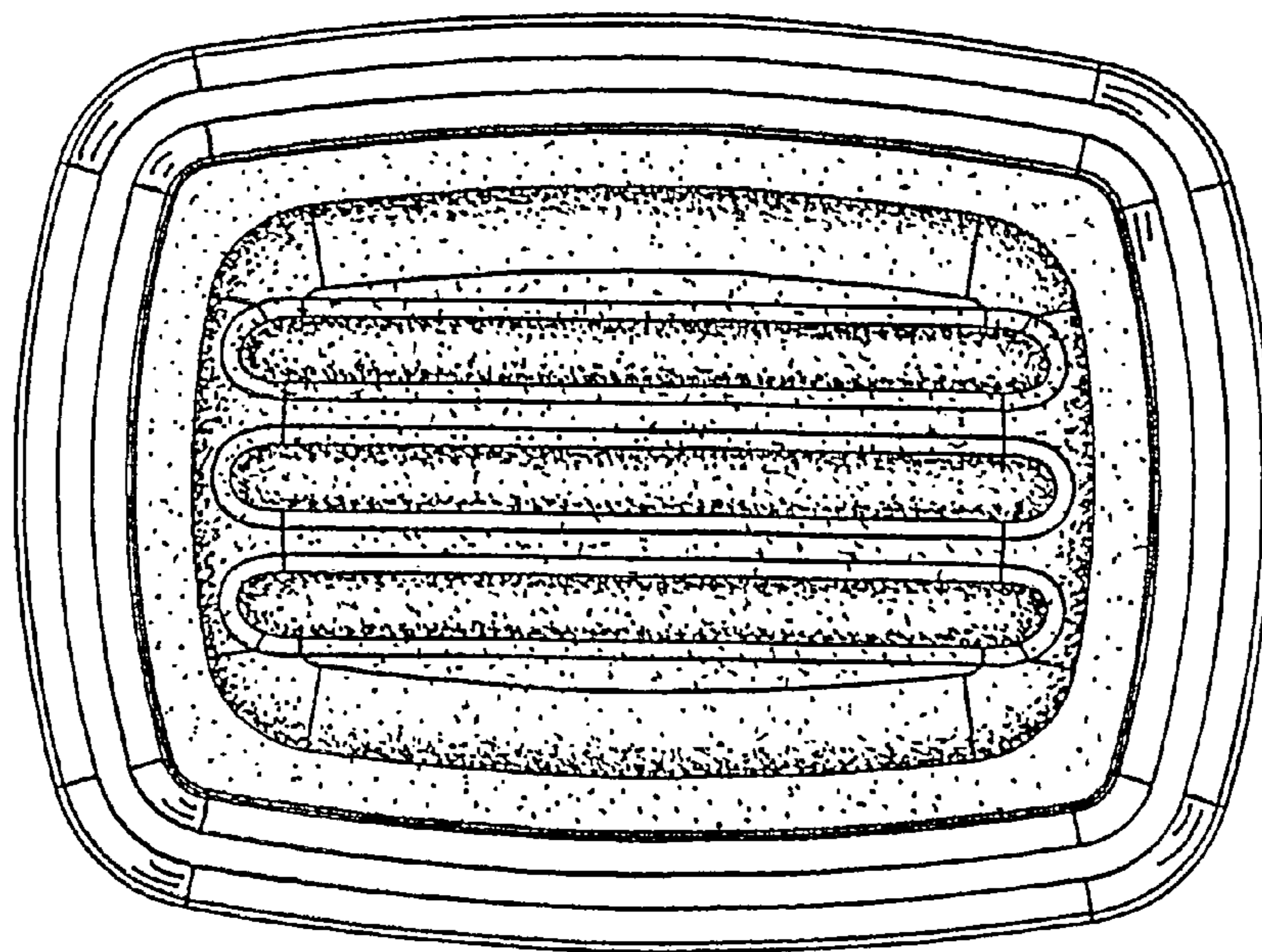


Figure 2

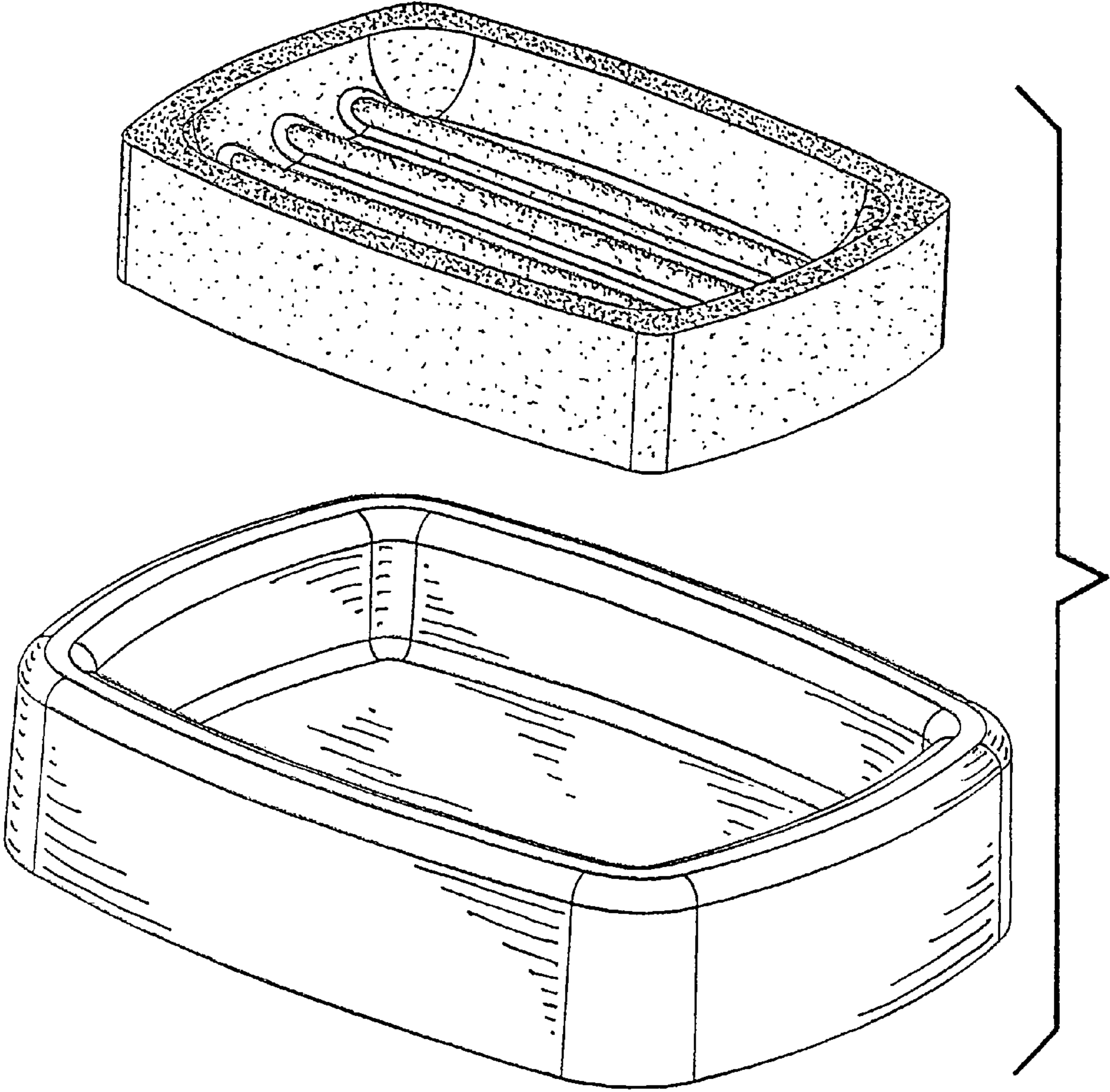


Figure 3

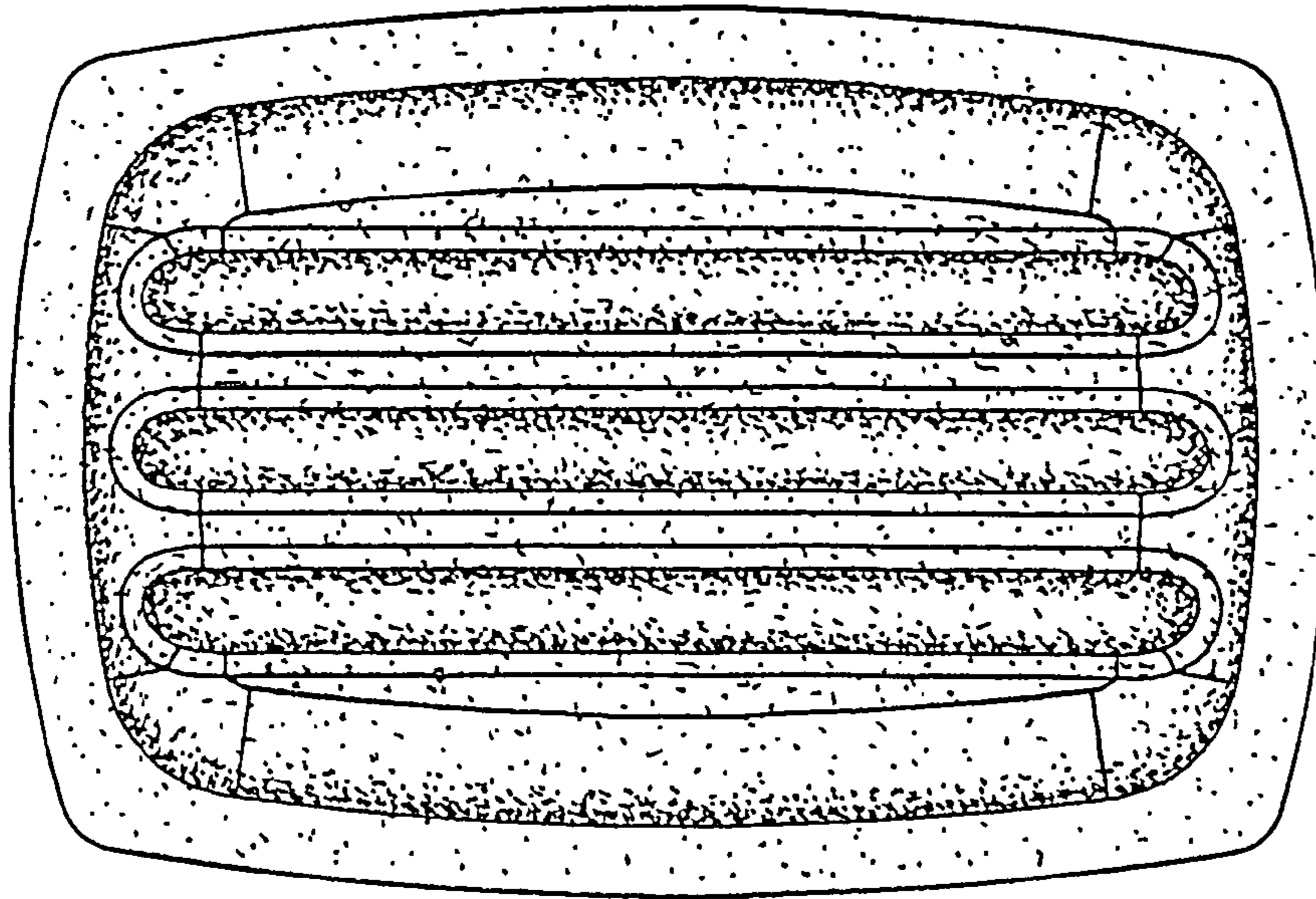


Figure 4

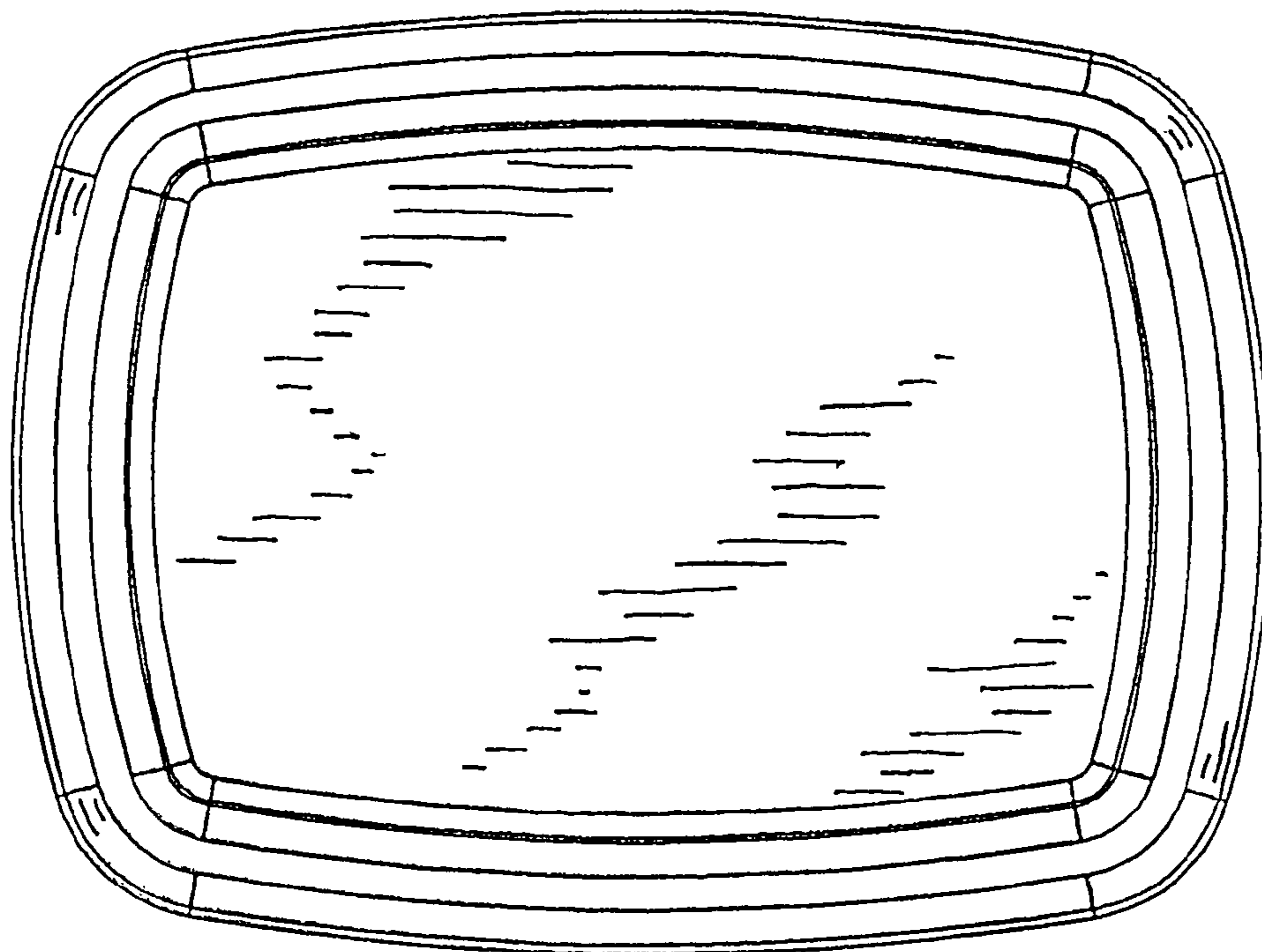


Figure 5