



US00D704952S

(12) **United States Design Patent**  
**Chang**

(10) **Patent No.:** **US D704,952 S**  
(45) **Date of Patent:** **\*\* May 20, 2014**

(54) **SUPPORT ACCESSORY**

**DESCRIPTION**

- (75) Inventor: **Jim Chang**, San Leandro, CA (US)
- (73) Assignee: **Gatco, Inc.**, San Leandro, CA (US)
- (\*\*) Term: **14 Years**
- (21) Appl. No.: **29/432,422**
- (22) Filed: **Sep. 14, 2012**
- (51) **LOC (10) Cl.** ..... **23-02**
- (52) **U.S. Cl.**  
USPC ..... **D6/524; D6/550**
- (58) **Field of Classification Search**  
USPC ..... D6/518-524, 546-550; D8/300, 370,  
D8/315; 108/28-29; 211/13.1, 16, 85.5,  
211/86.01, 87.01, 88.04, 100, 105.1, 105.2,  
211/106, 113, 123, 181.1, 182-183;  
248/49, 175, 176.1, 200, 201, 205.1,  
248/251, 302, 309.1, 315; 242/570, 590,  
242/595-598  
See application file for complete search history.

(56) **References Cited**

**U.S. PATENT DOCUMENTS**

D334,315 S *	3/1993	Bengtson	.....	D6/524
D410,376 S *	6/1999	Schöll	.....	D6/550
D455,926 S *	4/2002	Ou-Young	.....	D6/546
D554,403 S *	11/2007	Xiao	.....	D6/524
D681,988 S *	5/2013	Kuo	.....	D6/524

**OTHER PUBLICATIONS**

Architectural Supplements Incorporated Drawer and and Door Pulls Catalogue Pull 54319.\*

\* cited by examiner

*Primary Examiner* — Brian N Vinson

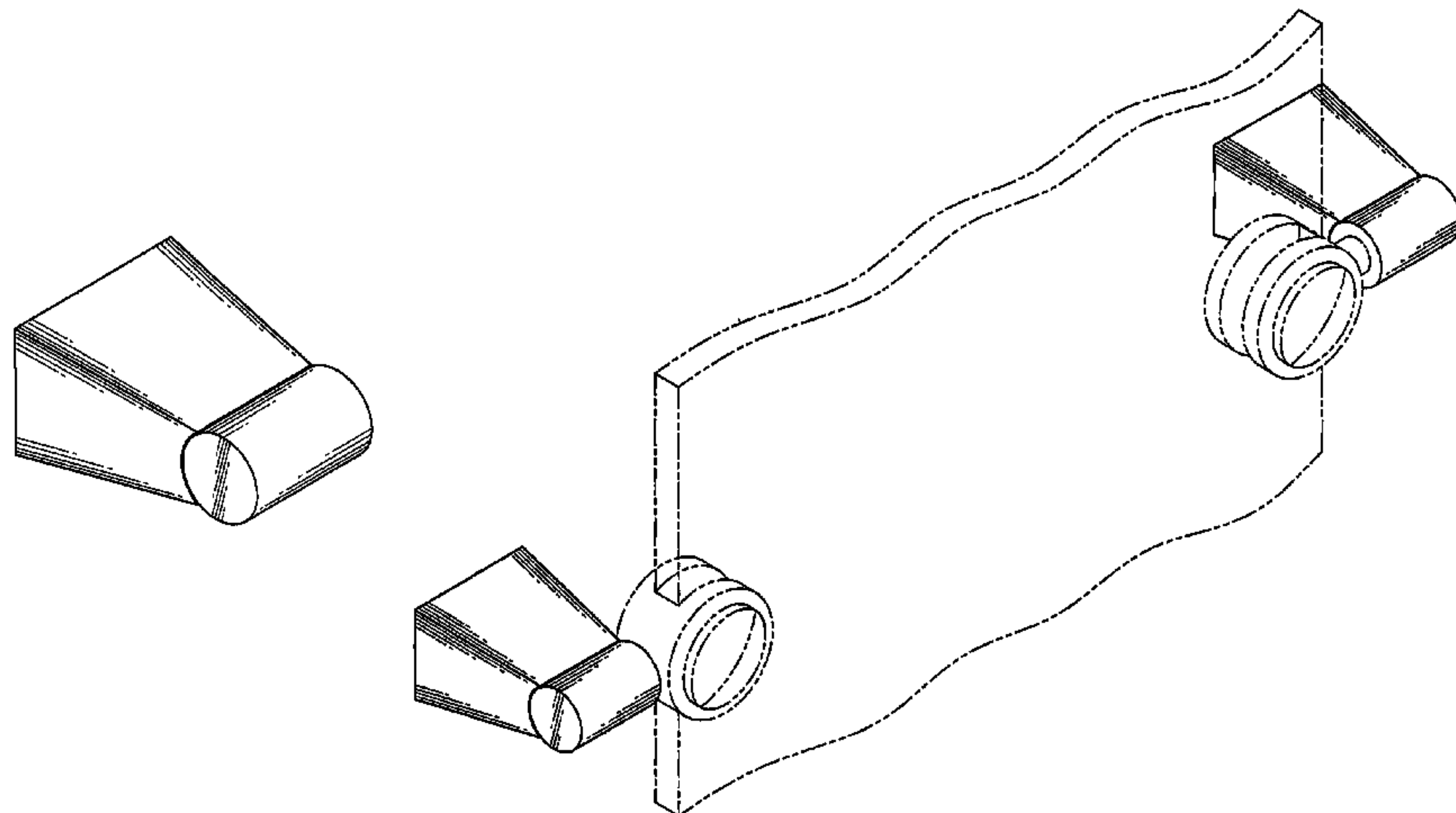
(74) *Attorney, Agent, or Firm* — Muncy, Geissler, Olds & Lowe, P.C.

(57) **CLAIM**

I claim the ornamental design for a support accessory, as shown and described.

FIG. 1 is a top, front, and left side perspective view of a support accessory showing my new design;  
 FIG. 2 is a front elevation view of FIG. 1;  
 FIG. 3 is a left side elevation view of FIG. 1, the right side being a mirror image of that shown;  
 FIG. 4 is a top plan view of FIG. 1, the bottom being a mirror image of that shown;  
 FIG. 5 is an additional top, front, and left side perspective view of a first embodiment of a support accessory, with the broken-line disclosure of a towel ring being for illustrative purposes only and forming no part of the claimed design;  
 FIG. 6 is an additional top, front, and left side perspective view of a first embodiment of a support accessory, with the broken-line disclosure of a robe hook being for illustrative purposes only and forming no part of the claimed design;  
 FIG. 7 is an additional top, front, and left side perspective view of a first embodiment of a support accessory, with the broken-line disclosure of a tissue holder being for illustrative purposes only and forming no part of the claimed design;  
 FIG. 8 is an additional top, front, and left side perspective view of a second embodiment of a support accessory, with the broken-line disclosure of a towel bar being for illustrative purposes only and forming no part of the claimed design;  
 FIG. 9 is an additional top, front, and left side perspective view of a second embodiment of a support accessory, with the broken-line disclosure of a double towel bar being for illustrative purposes only and forming no part of the claimed design;  
 FIG. 10 is an additional top, front, and left side perspective view of a second embodiment of a support accessory, with the broken-line disclosure of a glass shelf being for illustrative purposes only and forming no part of the claimed design; and,  
 FIG. 11 is an additional top, front, and left side perspective view of a second embodiment of a support accessory, with the broken-line disclosure of a tilting wall mirror being for illustrative purposes only and forming no part of the claimed design.

**1 Claim, 9 Drawing Sheets**



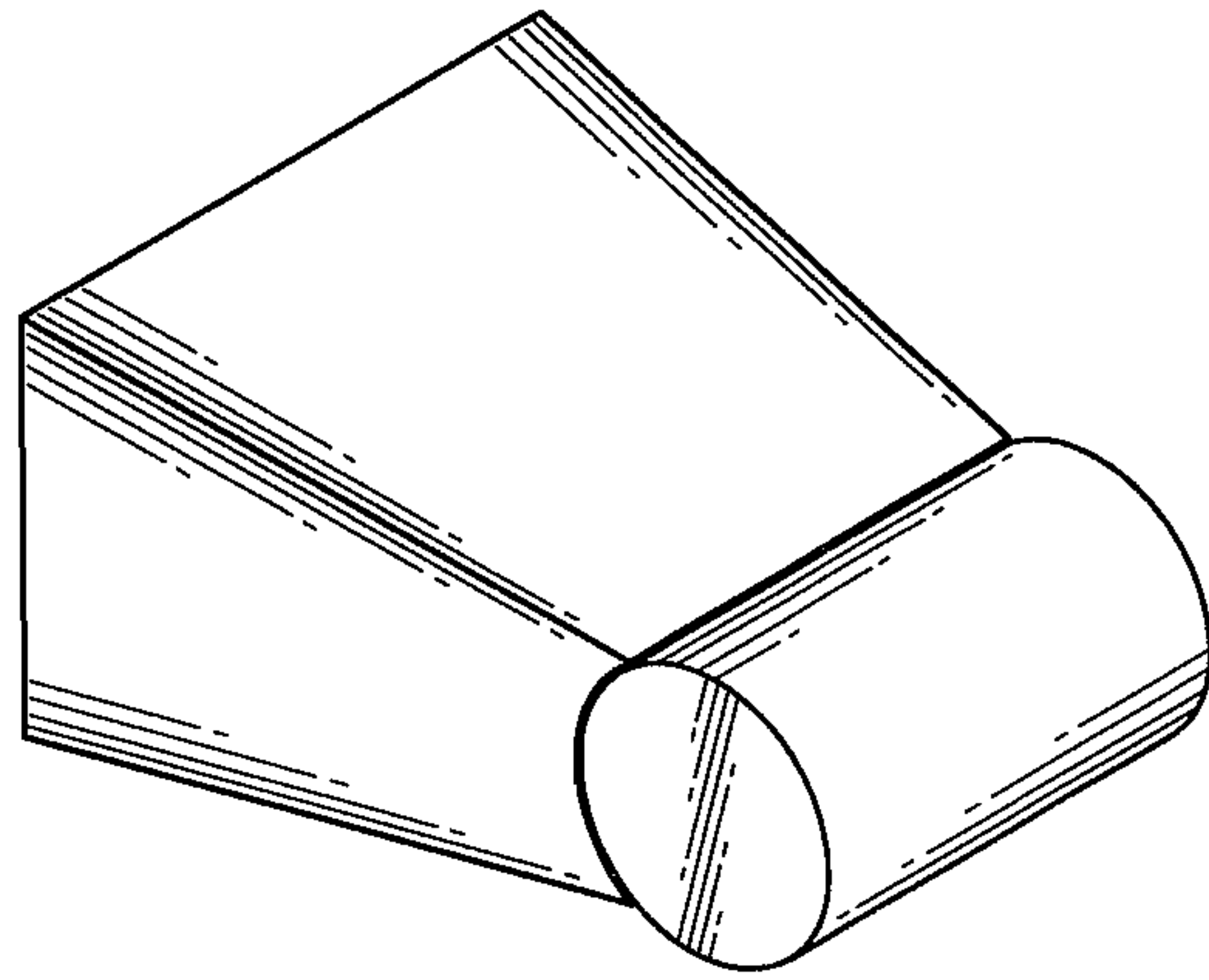


FIG. 1

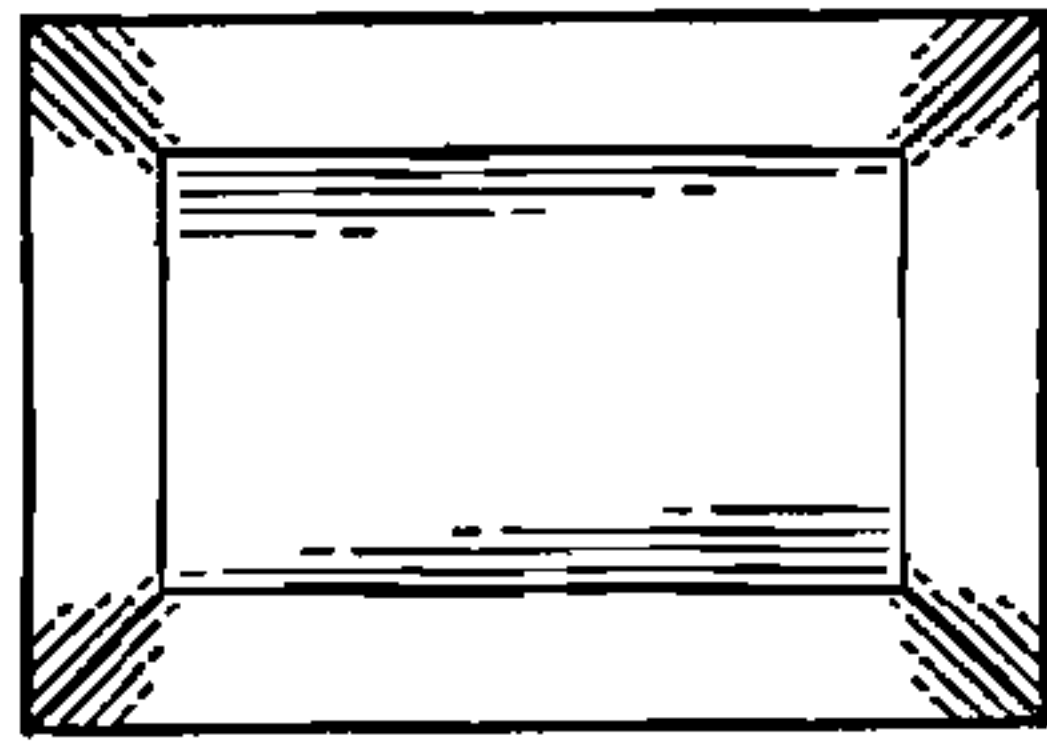


FIG. 2

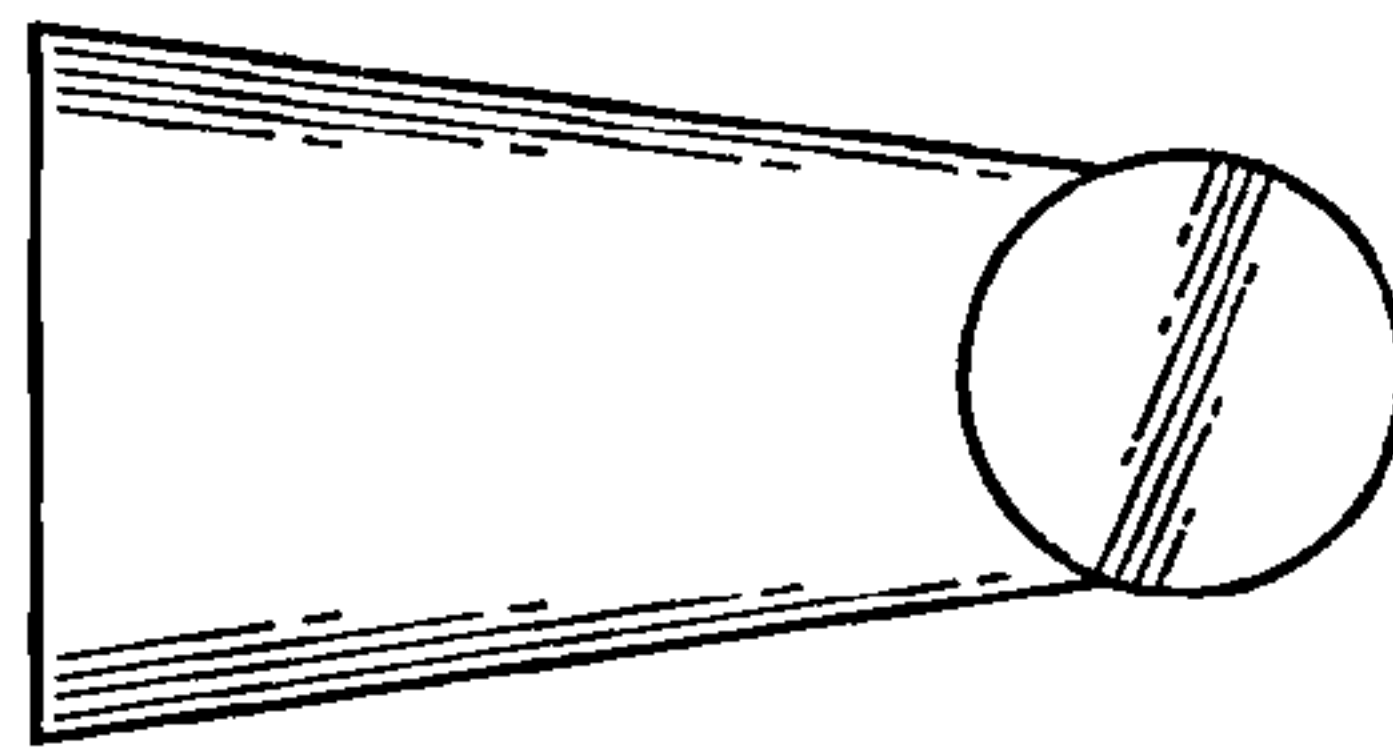


FIG. 3

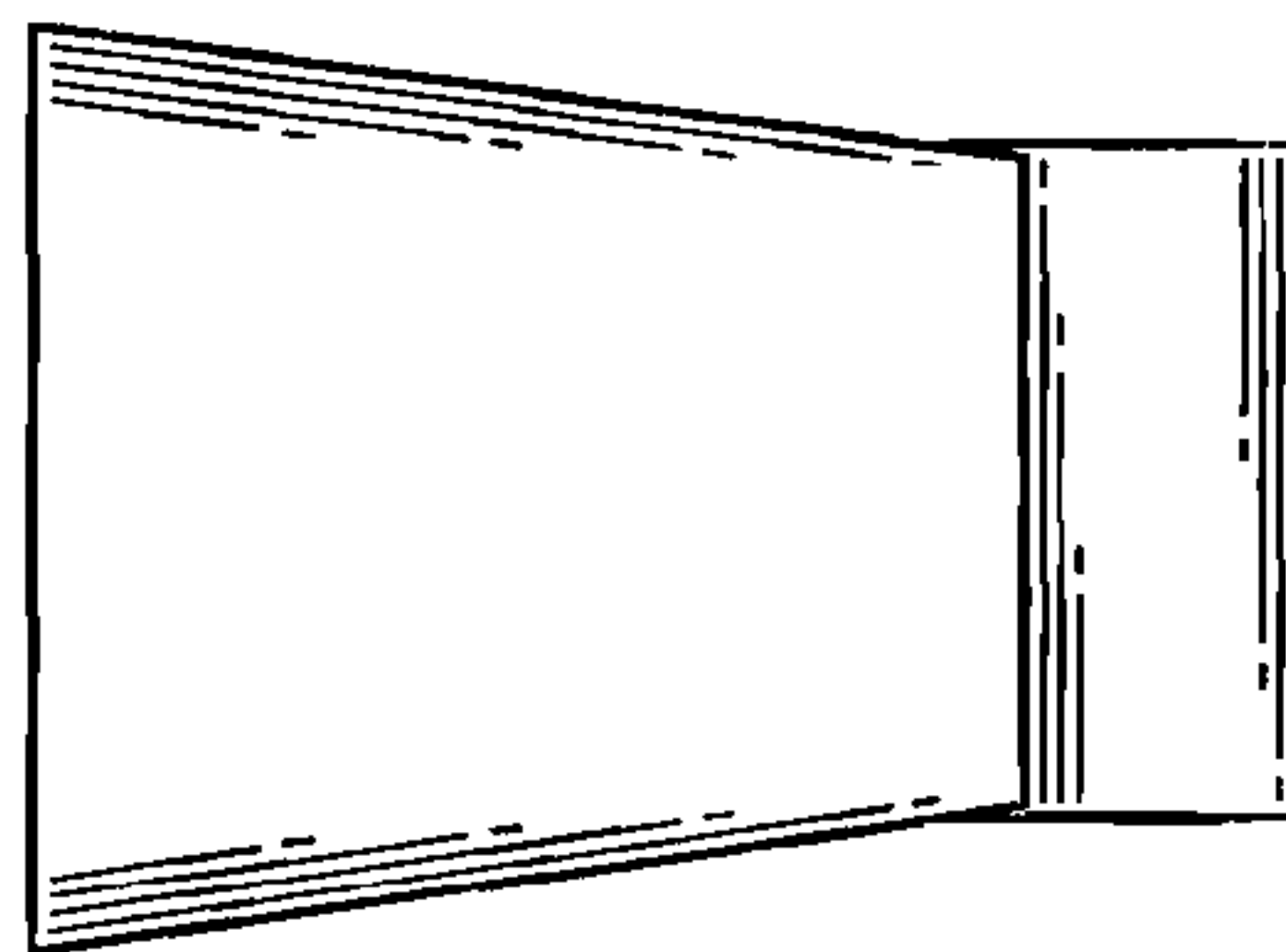


FIG. 4

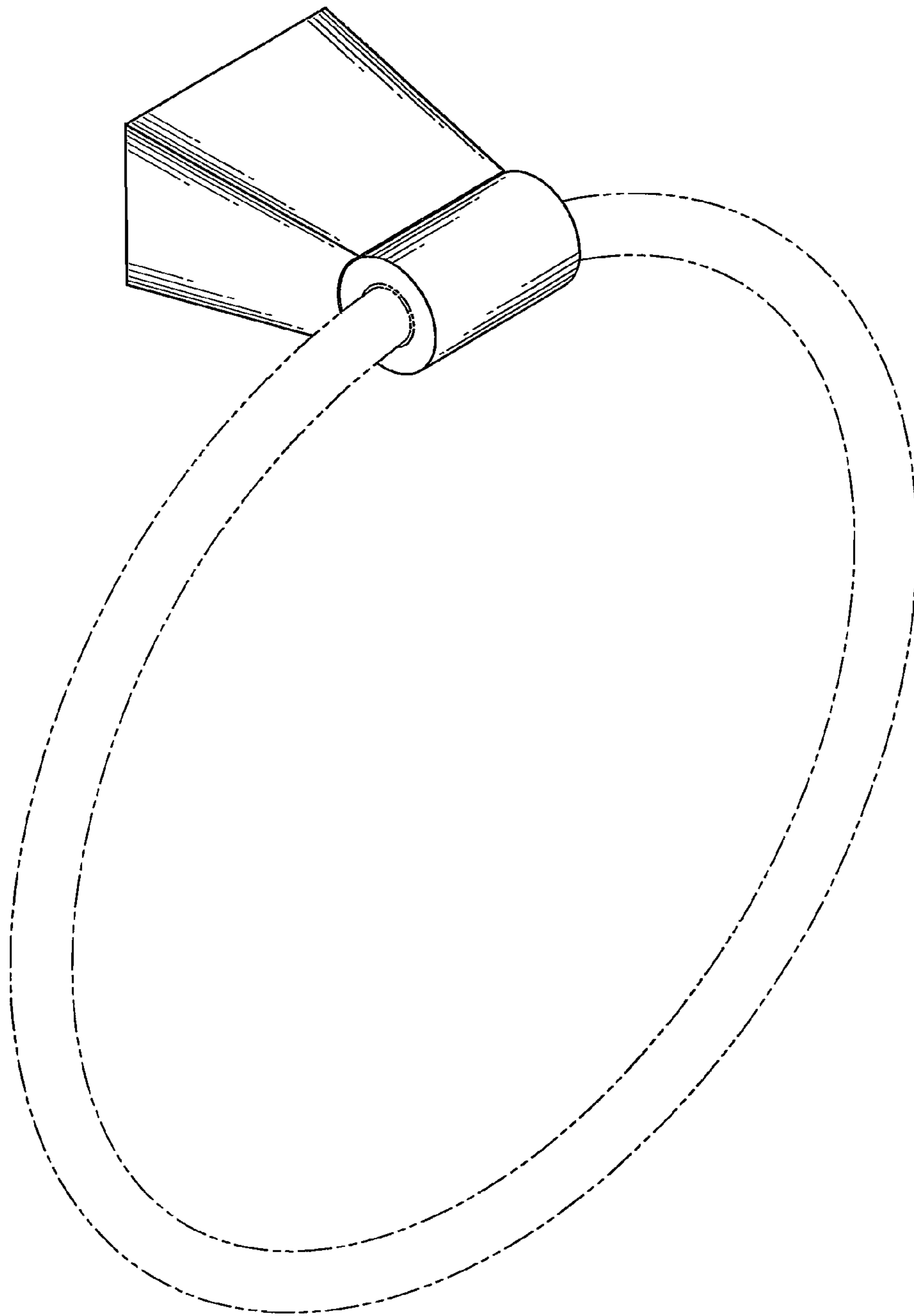


FIG. 5

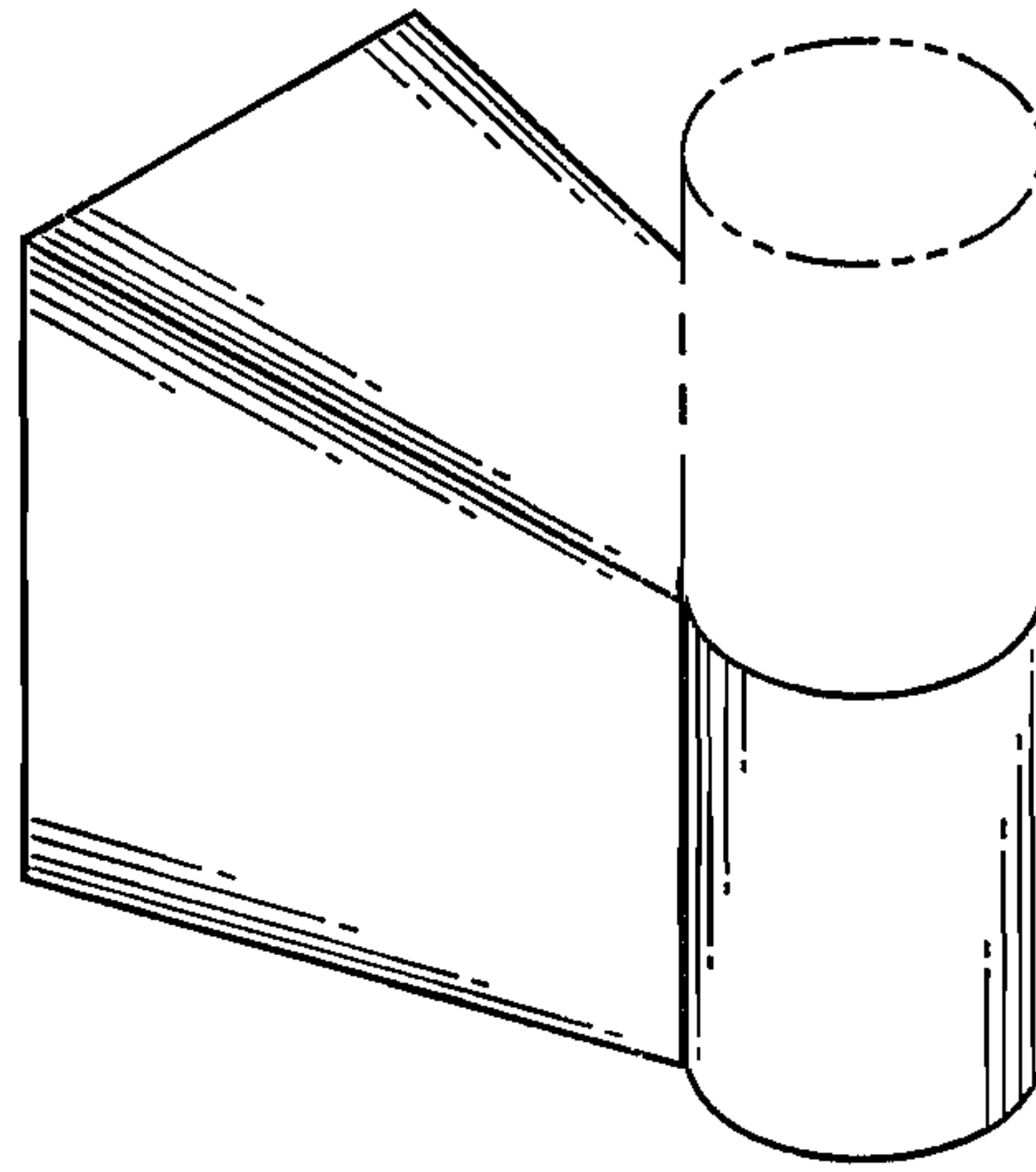


FIG. 6

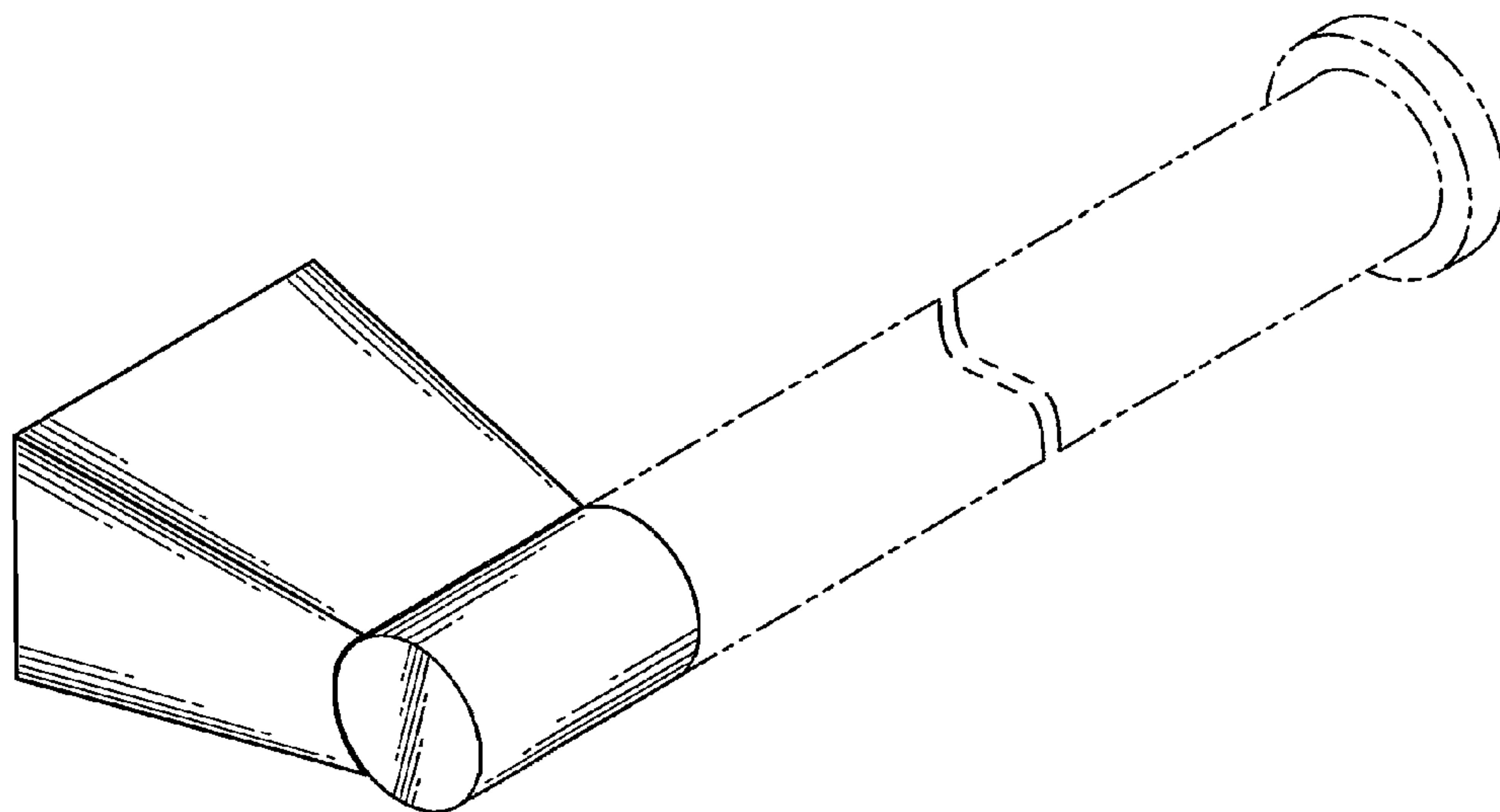


FIG. 7

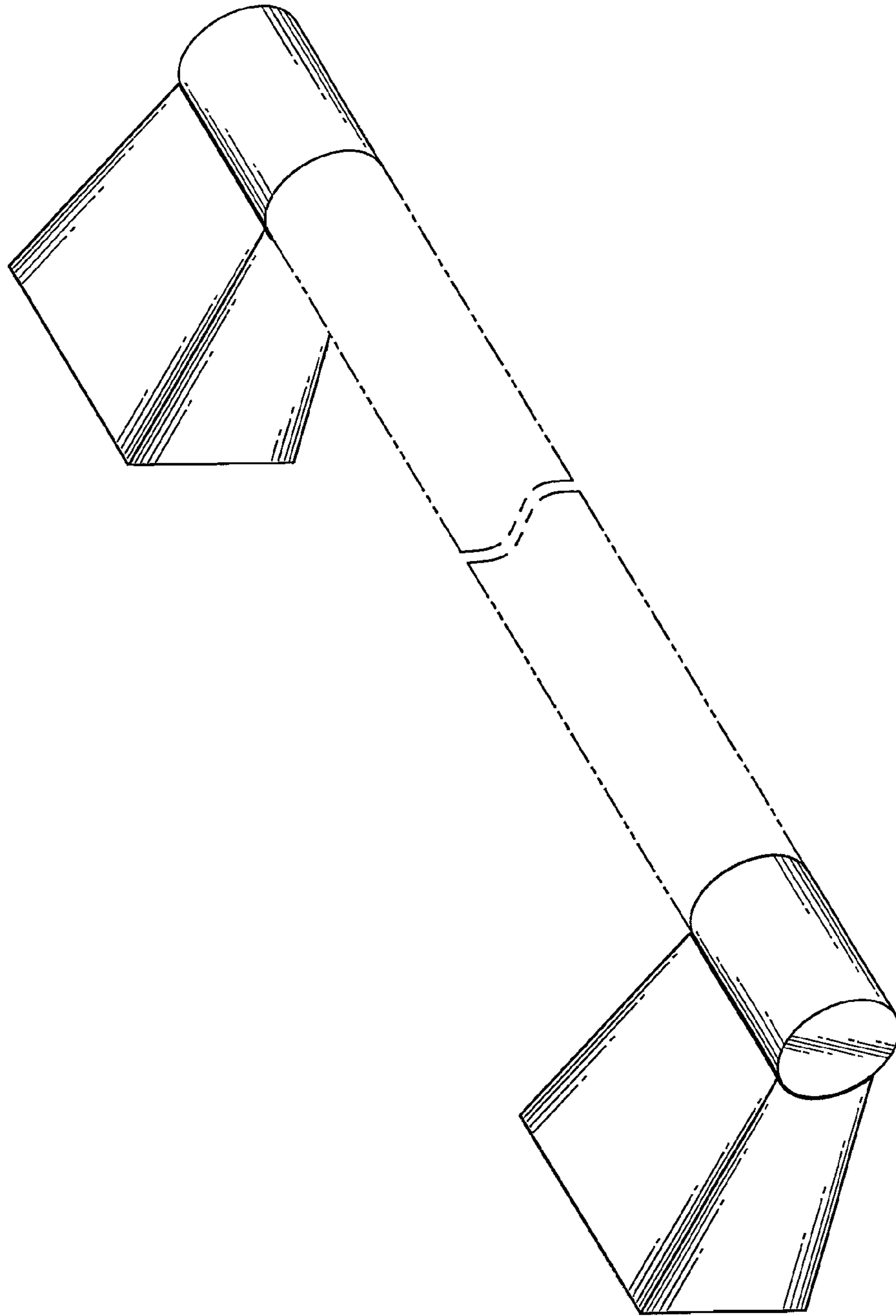


FIG. 8



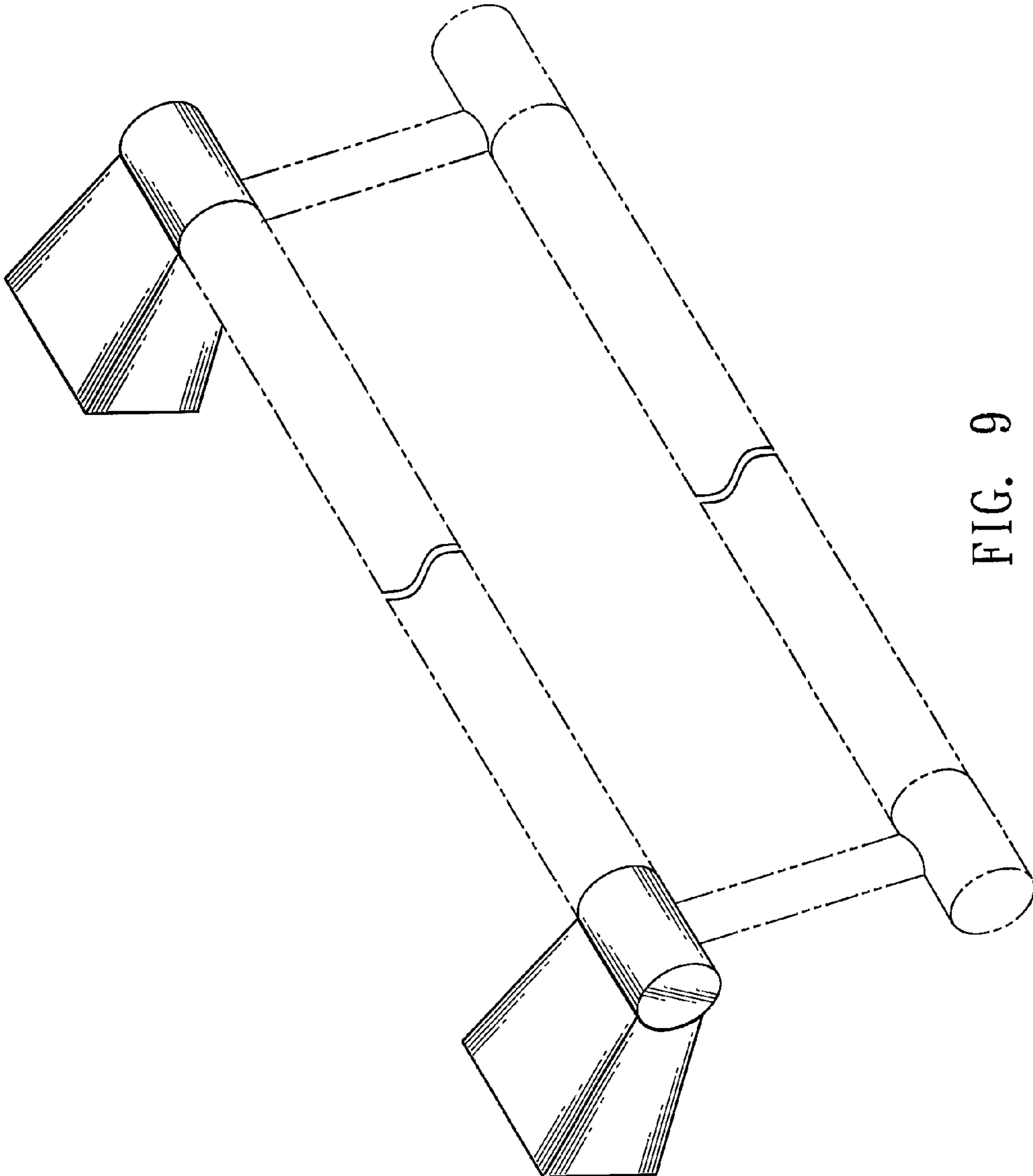


FIG. 9



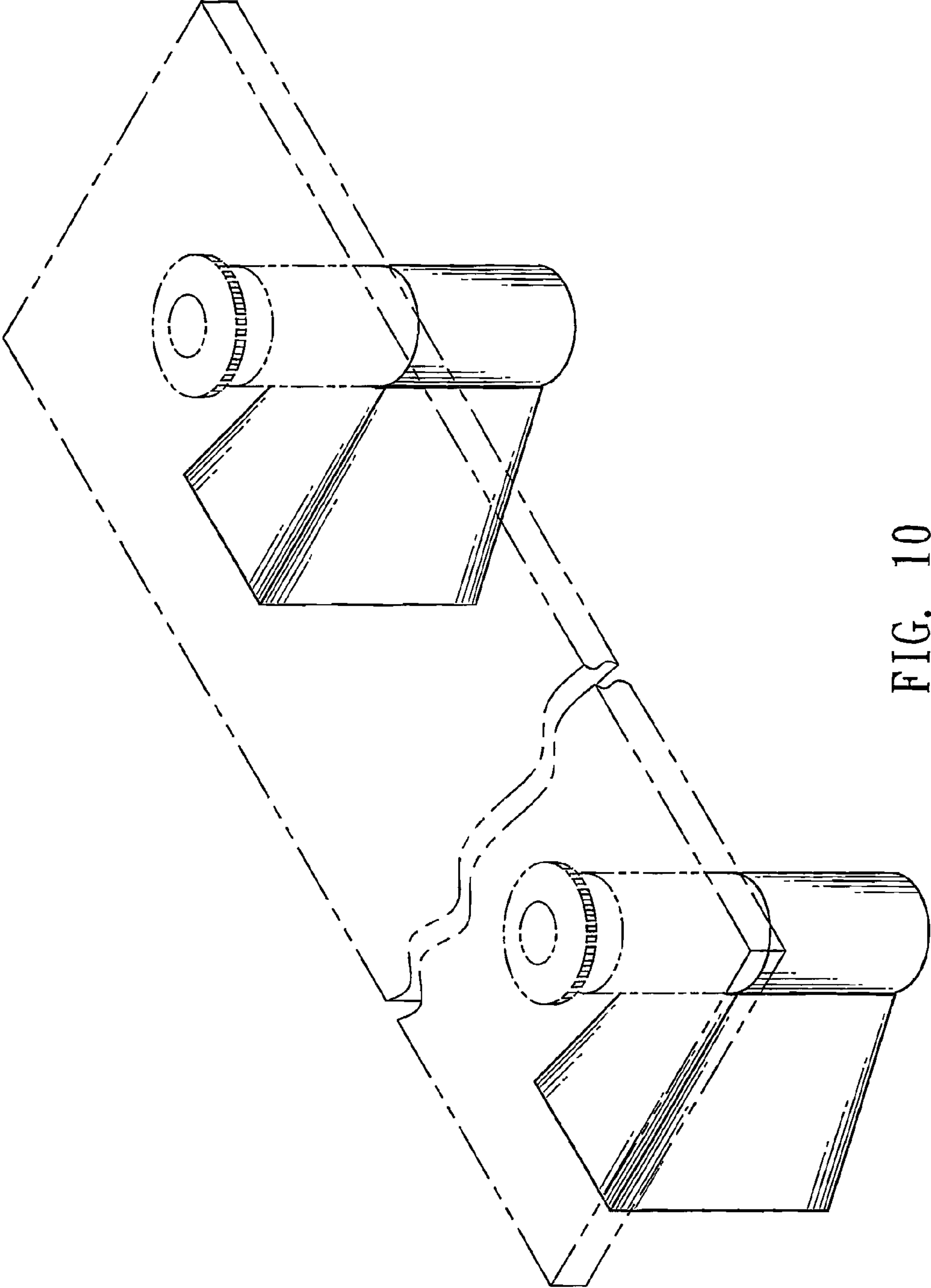


FIG. 10

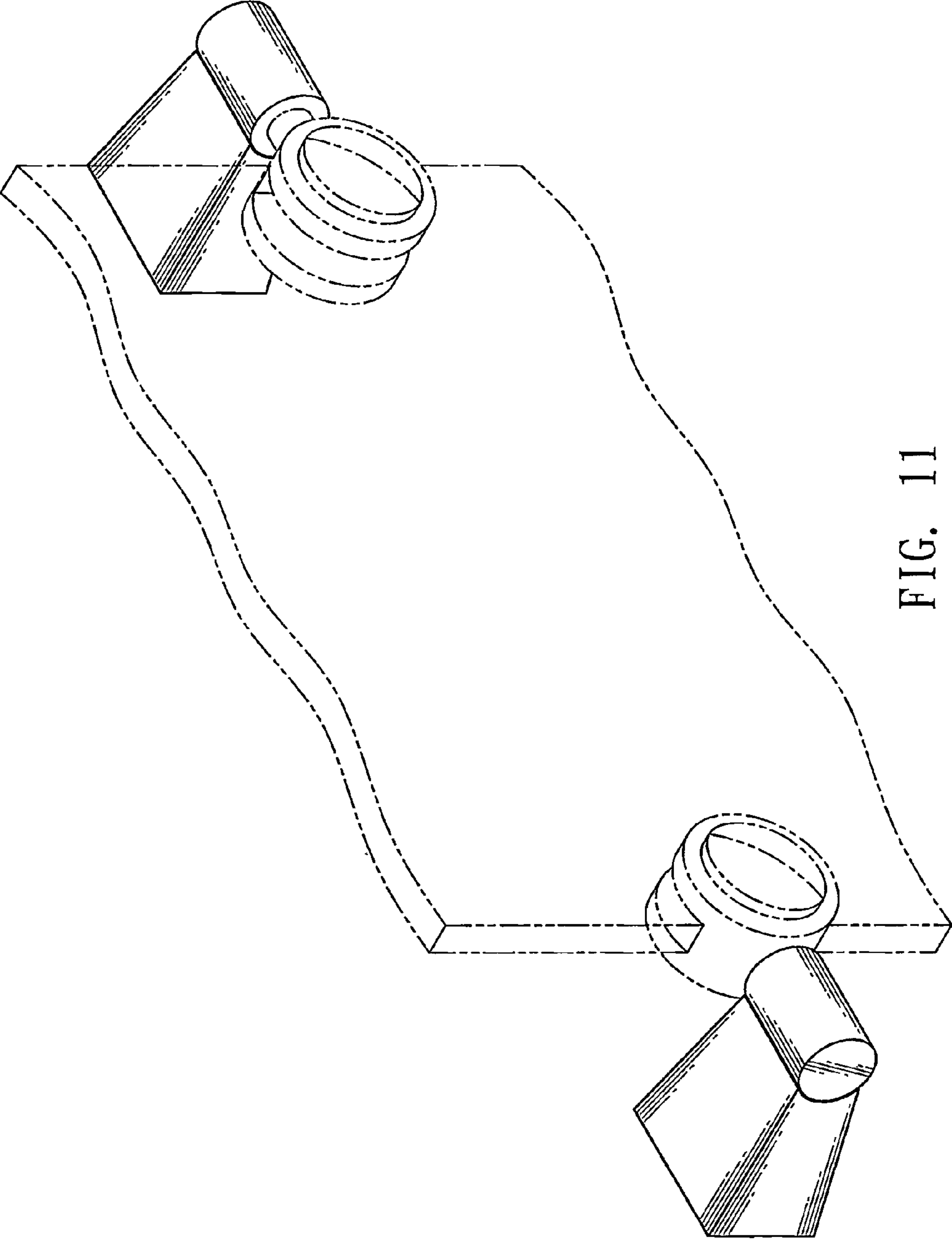


FIG. 11