



US00D704951S

(12) **United States Design Patent**
Coleman

(10) **Patent No.:** **US D704,951 S**

(45) **Date of Patent:** **** May 20, 2014**

(54) **DISPOSABLE HAND TOWEL BOX SUPPORT**

(71) Applicant: **Wanda Coleman**, Tuscaloosa, AL (US)

(72) Inventor: **Wanda Coleman**, Tuscaloosa, AL (US)

(**) Term: **14 Years**

(21) Appl. No.: **29/475,008**

(22) Filed: **Nov. 27, 2013**

D658,914 S * 5/2012 Rich et al. D6/518
D671,345 S * 11/2012 Rich D6/518
D690,126 S * 9/2013 Ogawa D6/518

* cited by examiner

Primary Examiner — Brian N Vinson

(74) *Attorney, Agent, or Firm* — Daniel Boudwin; Global Intellectual Property Agency LLC

(57) **CLAIM**

The ornamental design for a disposable hand towel box support, as shown and described.

DESCRIPTION

FIG. 1 shows a perspective view of the disposable hand towel box support with its front door in an open configuration, whereby a disposable hand towel box may be positioned within the interior thereof.

FIG. 2 shows a rear perspective view of the disposable hand towel box support along its fastenable side.

FIG. 3 shows an overhead view of the disposable hand towel box support of the present invention.

FIG. 4 shows an underside view of the disposable hand towel box support along its suction cup side.

FIG. 5 shows a front view of the disposable hand towel box support of the present invention.

FIG. 6 shows a rear view of the disposable hand towel box support of the present invention; and,

FIG. 7 shows a side view of the disposable hand towel box support of the present invention with its front door in a closed configuration.

The broken lines in the disclosure represent environment for illustrative purposes only and forming no part of the claimed design.

Related U.S. Application Data

(63) Continuation-in-part of application No. 13/053,353, filed on Mar. 22, 2011.

(51) **LOC (10) Cl.** **20-02**

(52) **U.S. Cl.**
USPC **D6/518**

(58) **Field of Classification Search**

USPC D6/518-524, 546-550; 108/28-29;
211/13.1, 16, 60.1, 86.01, 87.01,
211/88.01, 88.04, 100, 105.1, 105.2, 123,
211/181.1, 182; 248/175, 176.1, 251, 302;
16/110.1, 415; 242/570, 590, 595-598,
242/597.7; D8/300, 303, 315-321; 220/216

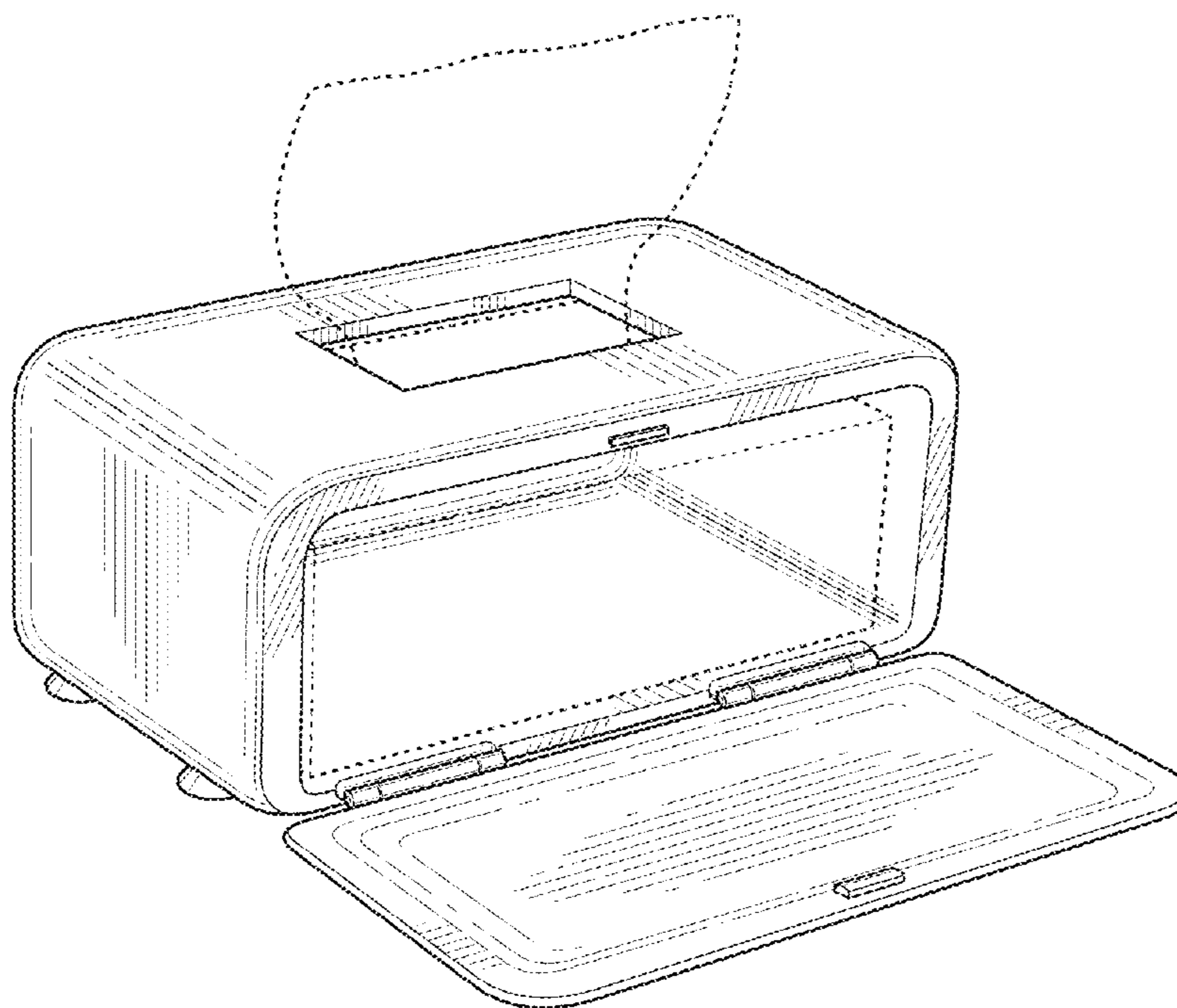
See application file for complete search history.

(56) **References Cited**

U.S. PATENT DOCUMENTS

D340,373 S * 10/1993 Konkin D6/518
D651,831 S * 1/2012 Becherer et al. D6/518

1 Claim, 4 Drawing Sheets



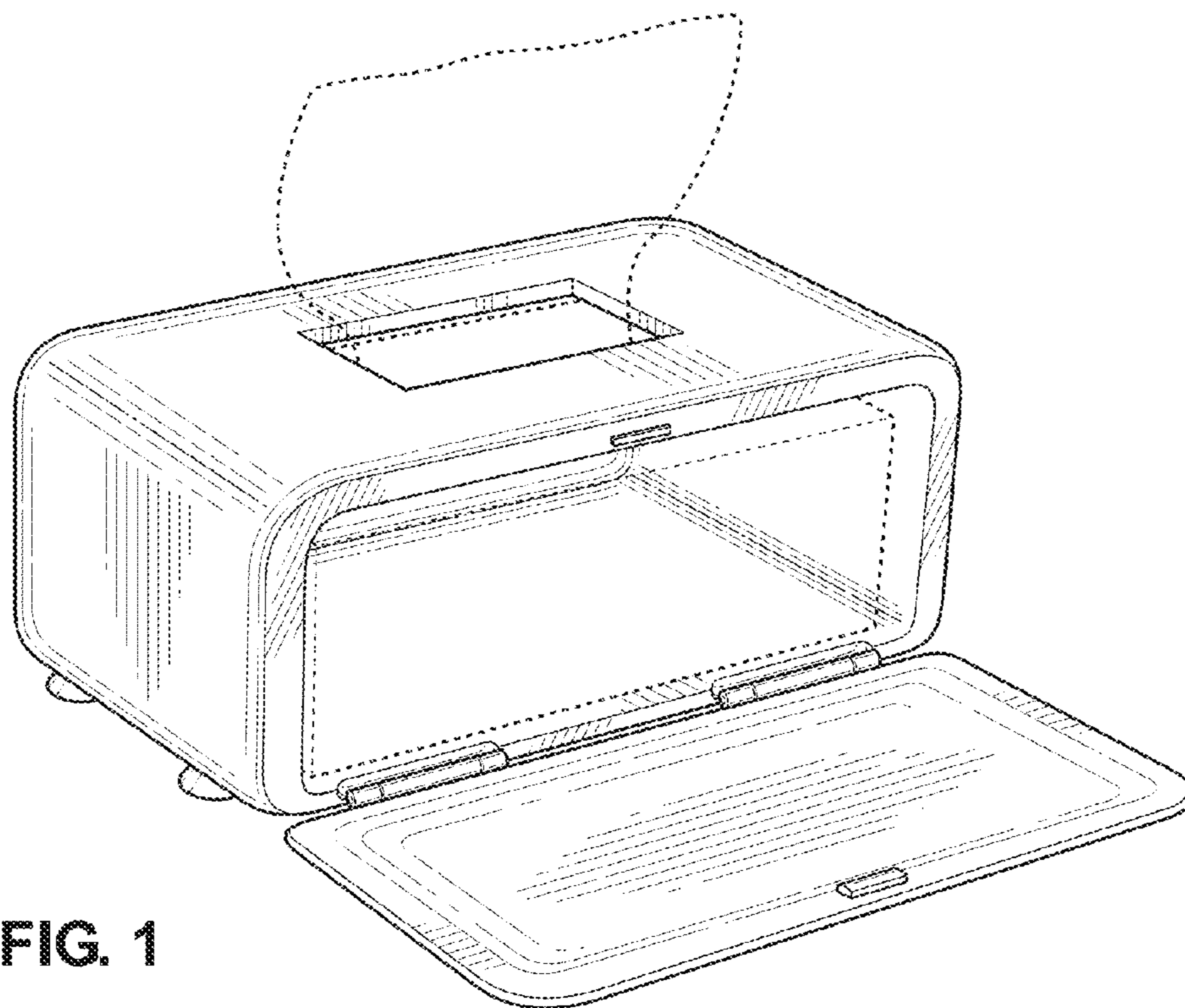


FIG. 1

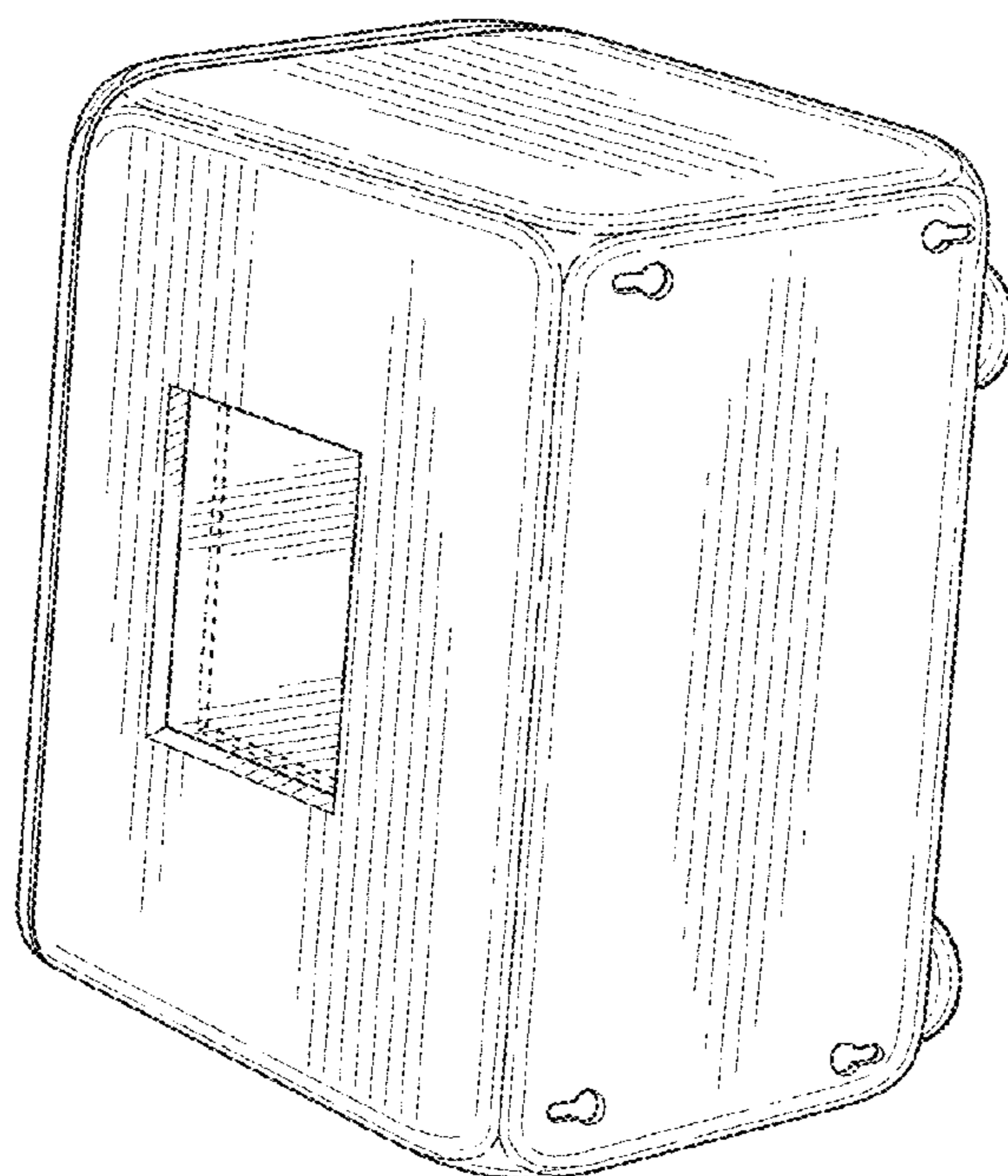


FIG. 2

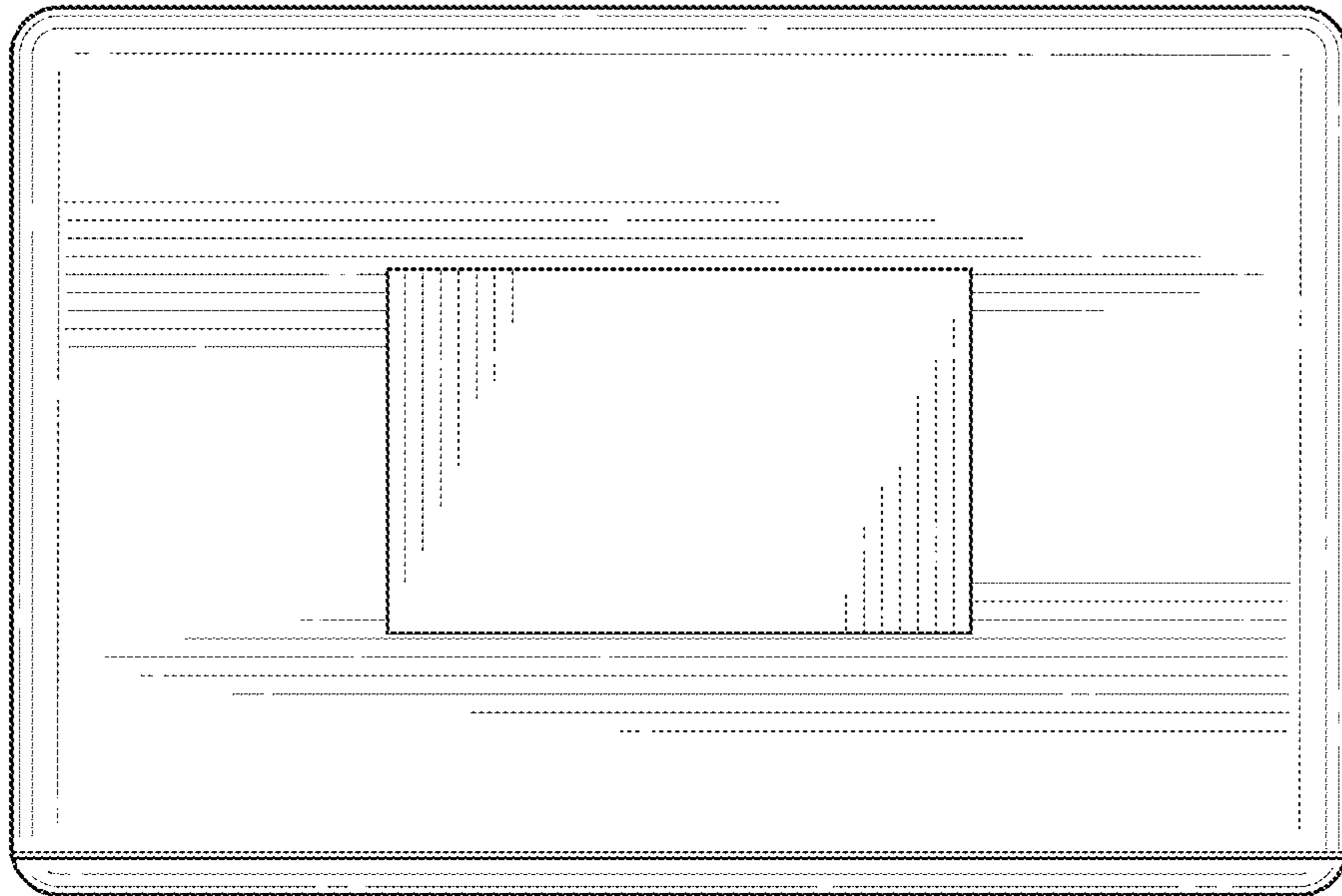


FIG. 3

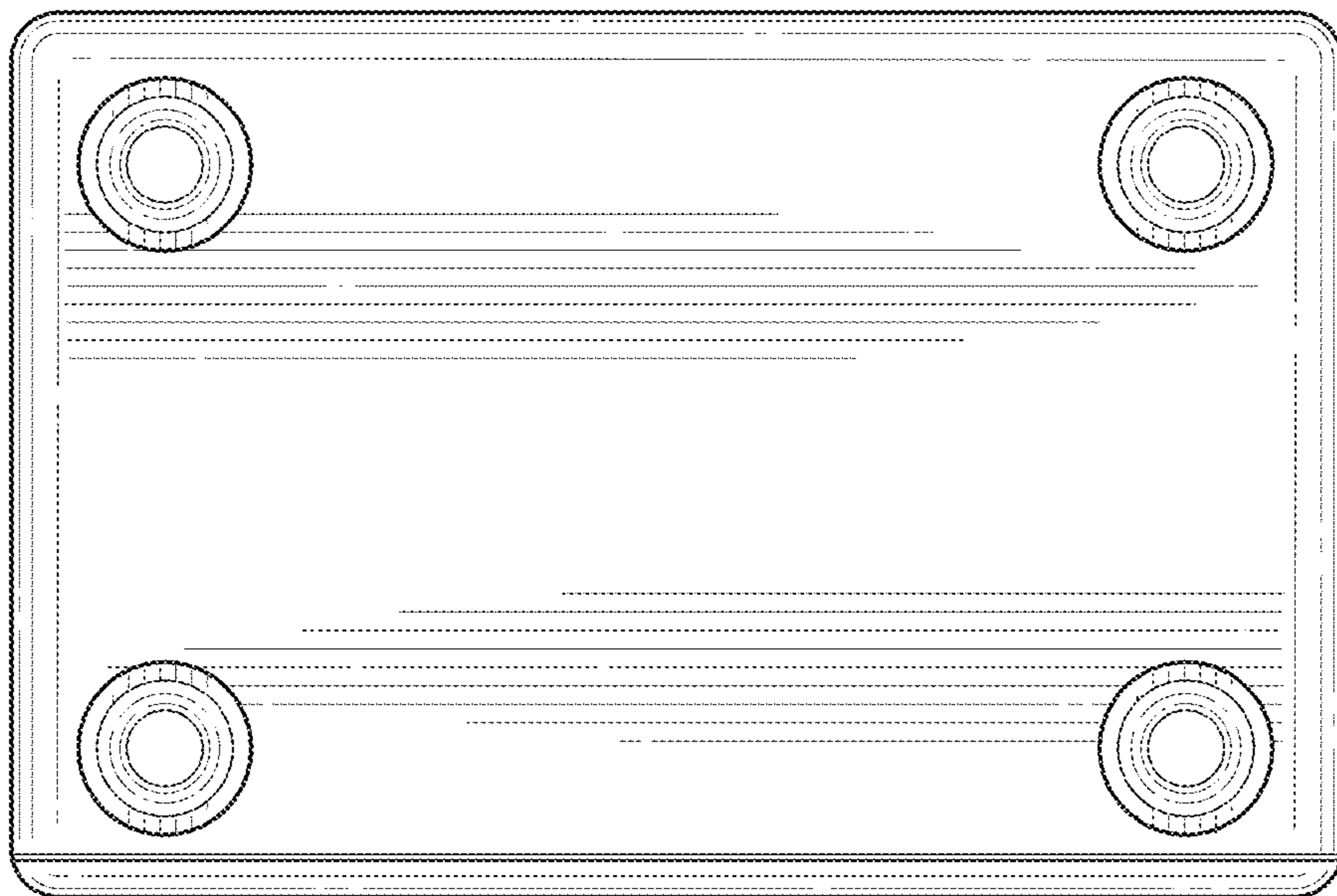


FIG. 4

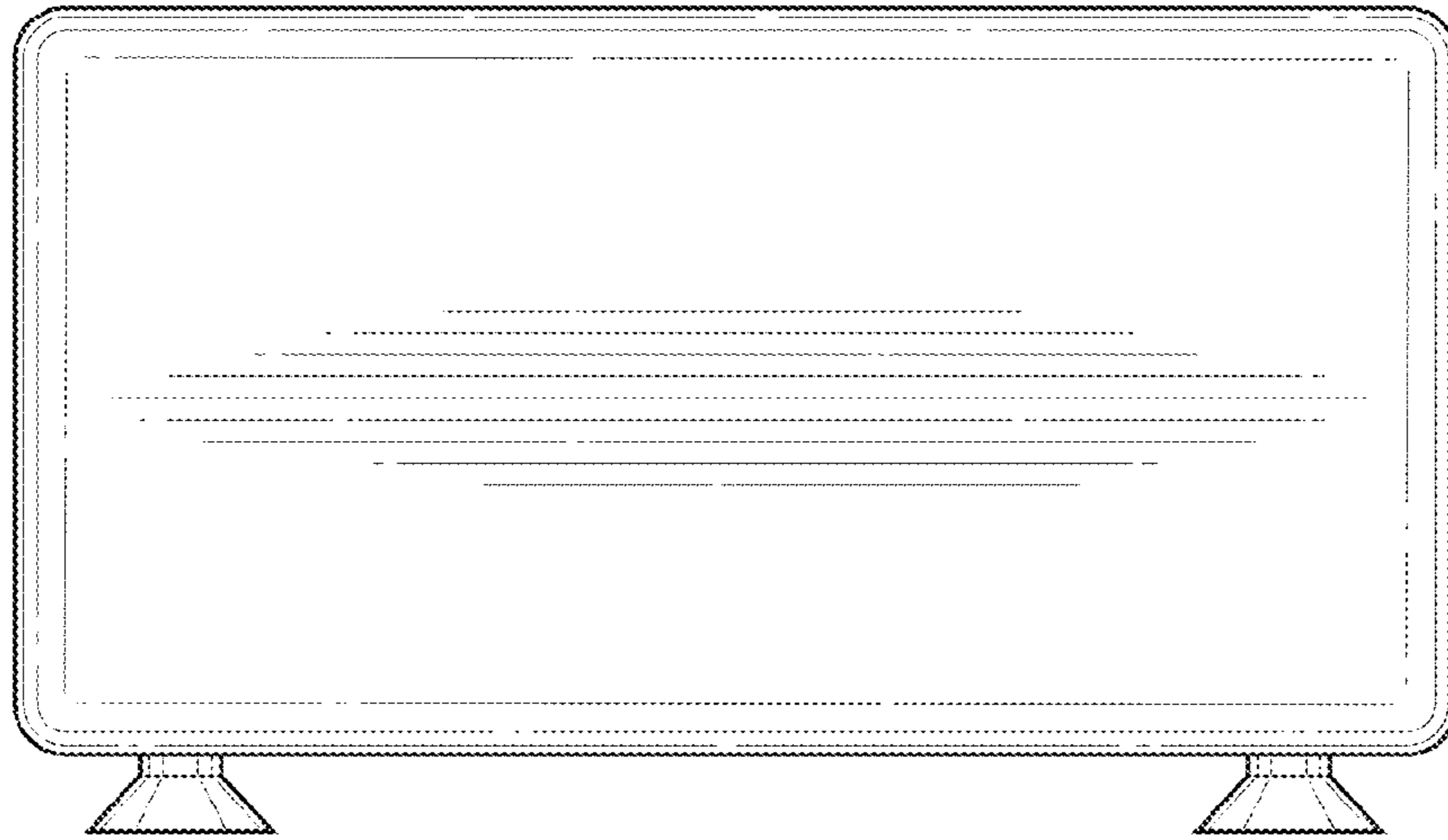


FIG. 5



FIG. 6

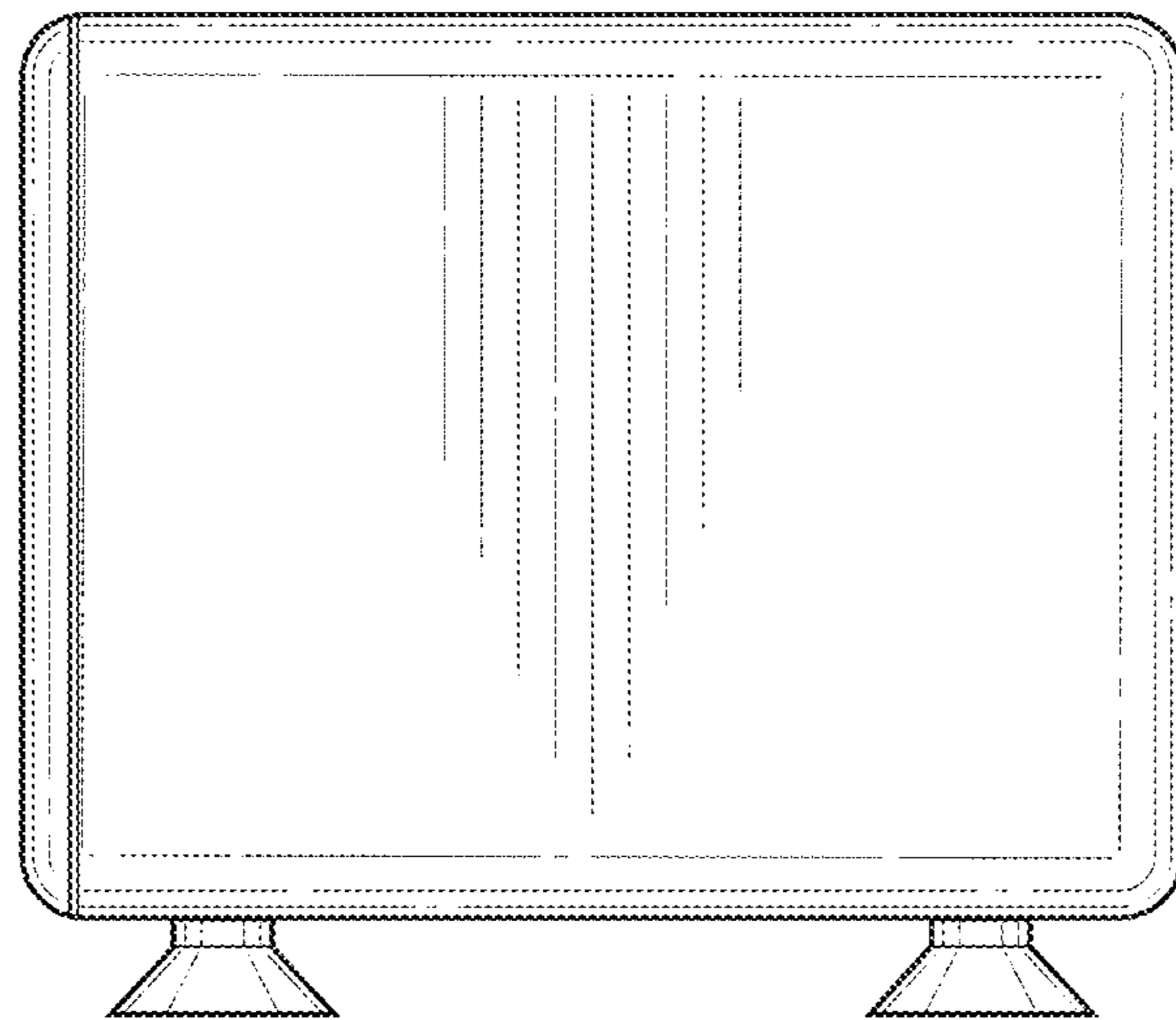


FIG.7