



US00D704947S

(12) **United States Design Patent**
Zhou Honglie

(10) **Patent No.:** **US D704,947 S**

(45) **Date of Patent:** **** May 20, 2014**

(54) **MESSAGE CHAIR**

(71) Applicant: **Osim International Ltd**, Singapore (SG)

(72) Inventor: **Roy Zhou Honglie**, Singapore (SG)

(73) Assignee: **Osim International Ltd.**, Singapore (SG)

(**) Term: **14 Years**

(21) Appl. No.: **29/433,316**

(22) Filed: **Sep. 28, 2012**

(30) **Foreign Application Priority Data**

Mar. 30, 2012 (SG) D 2012/372/E

(51) **LOC (10) Cl.** **06-01**

(52) **U.S. Cl.**
USPC **D6/367**

(58) **Field of Classification Search**

USPC D6/334-336, 360, 361, 367, 371, 373, D6/379, 375, 716, 716.1, 716.2, 716.3, D6/716.4, 717; 297/68, 271.1, 271.2, 297/271.3, 353, 354.1, 411.45, 423.19, 297/423.3; 601/90, 91, 97, 98, 99, 102, 601/115, 116, 134, 148, 149

See application file for complete search history.

(56) **References Cited**

U.S. PATENT DOCUMENTS

D471,372 S * 3/2003 Inada et al. D6/367
D502,607 S * 3/2005 Miyake et al. D6/335

D502,817 S * 3/2005 Inada et al. D6/367
D517,337 S * 3/2006 Mori D6/367
D536,891 S * 2/2007 Miyake et al. D6/367
D580,671 S * 11/2008 Aoki et al. D6/367
D609,932 S * 2/2010 Lee D6/367
D656,331 S * 3/2012 Kita D6/367
D657,970 S * 4/2012 Hwang et al. D6/367
D680,766 S * 4/2013 Morimoto et al. D6/367
2010/0198120 A1 * 8/2010 Tago et al. 601/134

* cited by examiner

Primary Examiner — Mimoso De

(74) *Attorney, Agent, or Firm* — Baker & McKenzie LLP

(57) **CLAIM**

The ornamental design for a massage chair, as shown and described.

DESCRIPTION

FIG. 1 is a front perspective view of a massage chair in accordance with our design;

FIG. 2 is a front perspective retracted legrest view of a massage chair in accordance with our design;

FIG. 3 is a back perspective view of a massage chair in accordance with our design;

FIG. 4 is a front view of a massage chair in accordance with our design;

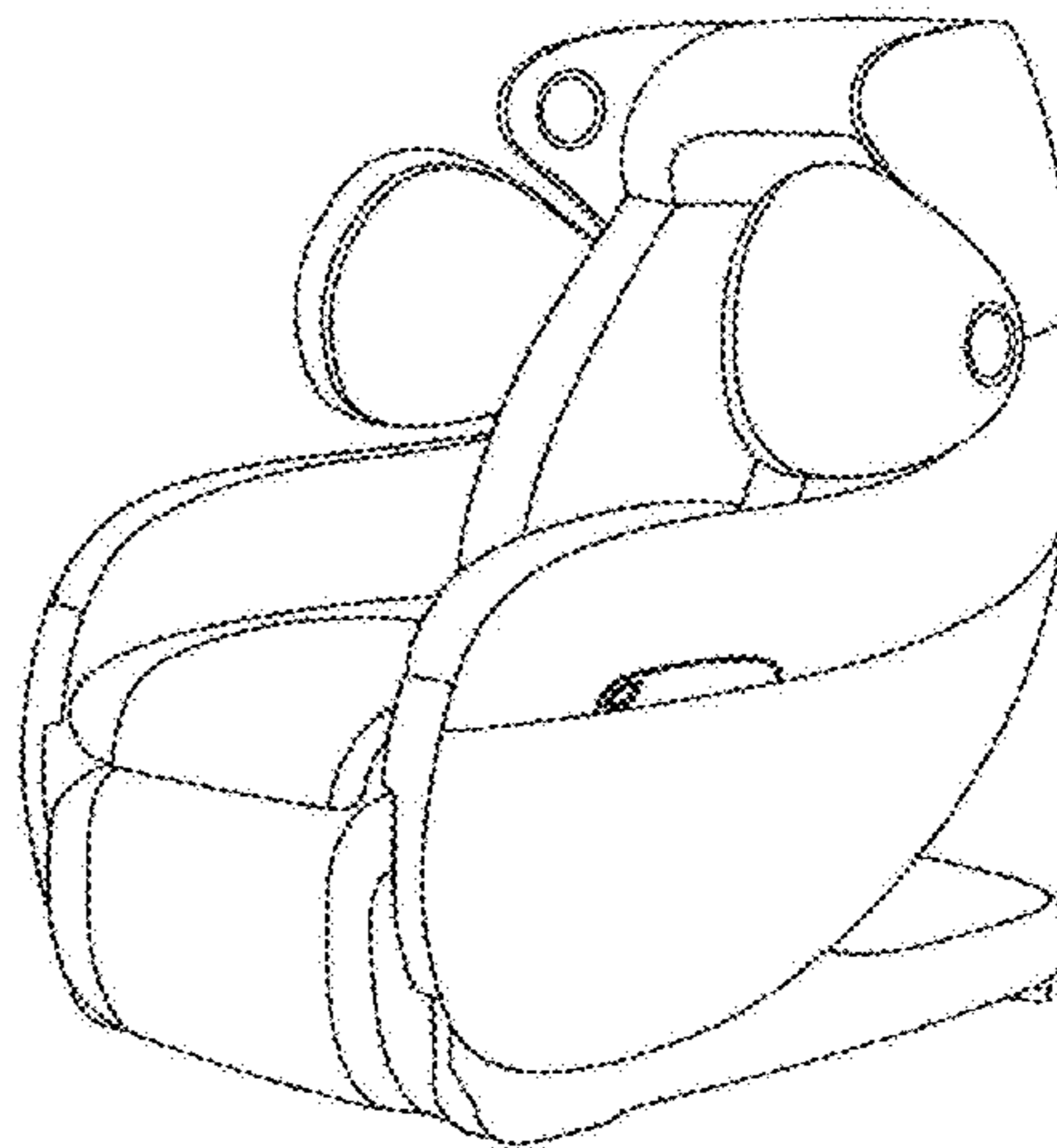
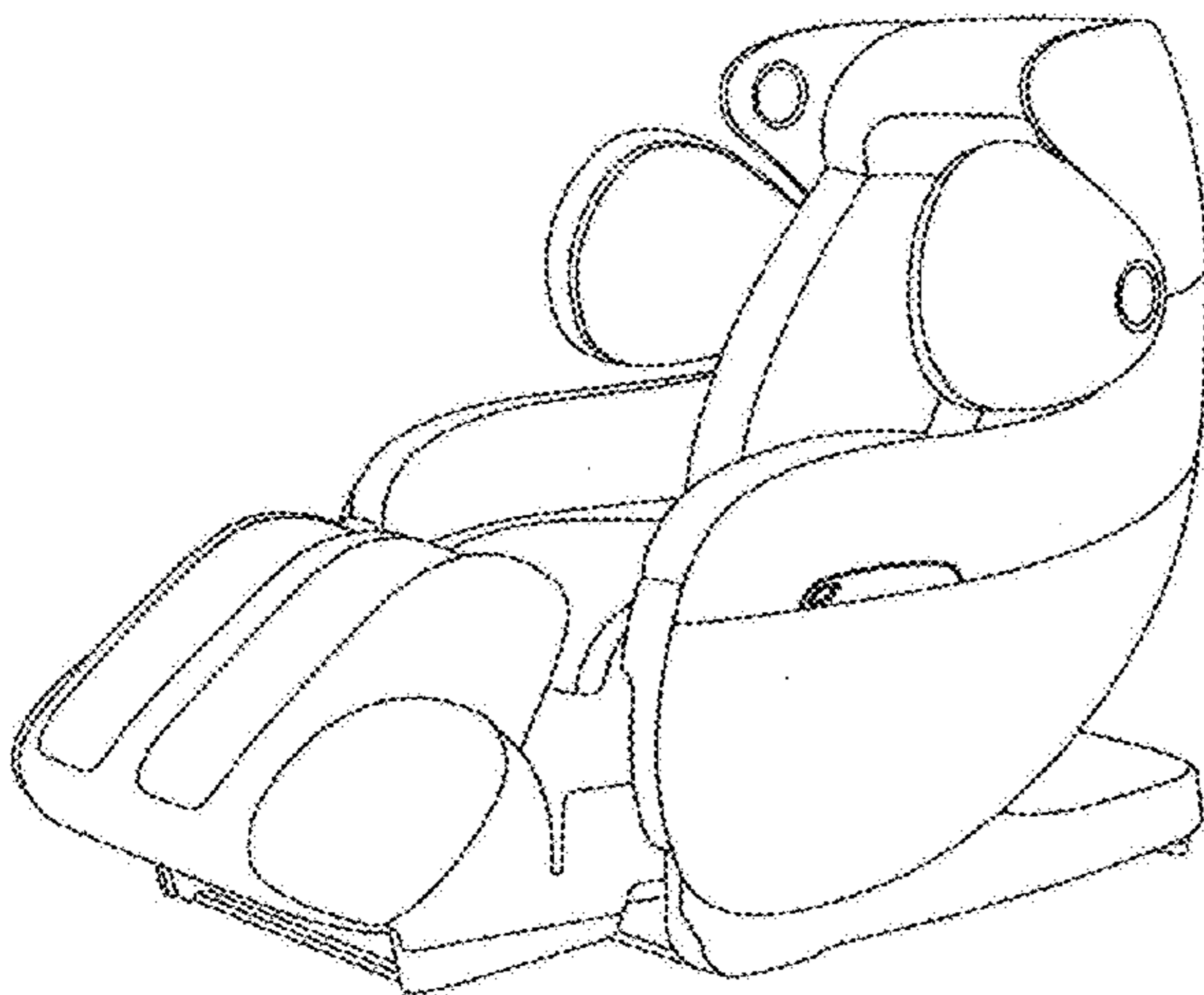
FIG. 5 is a back view of a massage chair in accordance with our design;

FIG. 6 is a top view of a massage chair in accordance with our design;

FIG. 7 is a left view of a massage chair in accordance with our design; and,

FIG. 8 is a right view of a massage chair in accordance with our design.

1 Claim, 8 Drawing Sheets



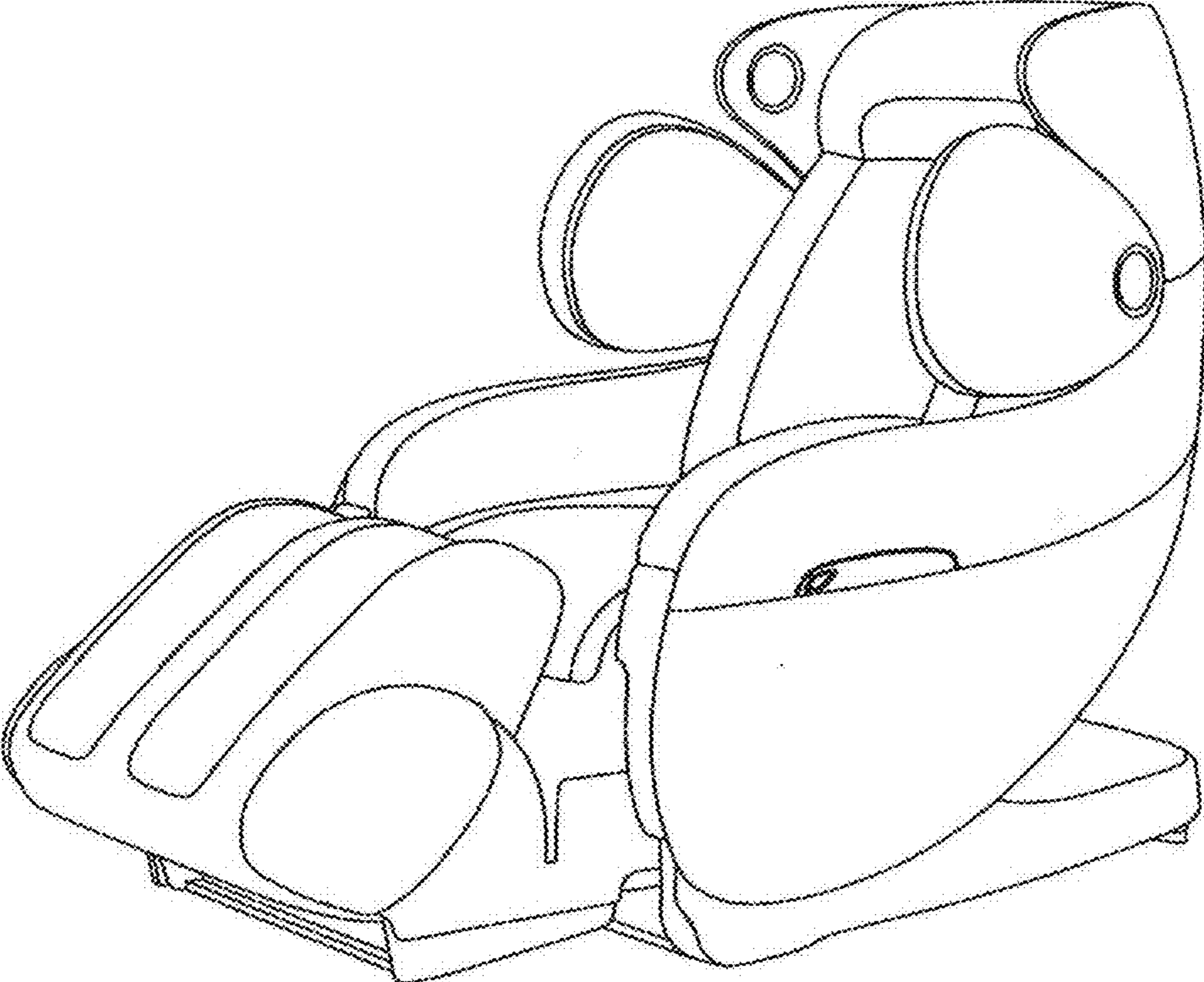


FIG. 1

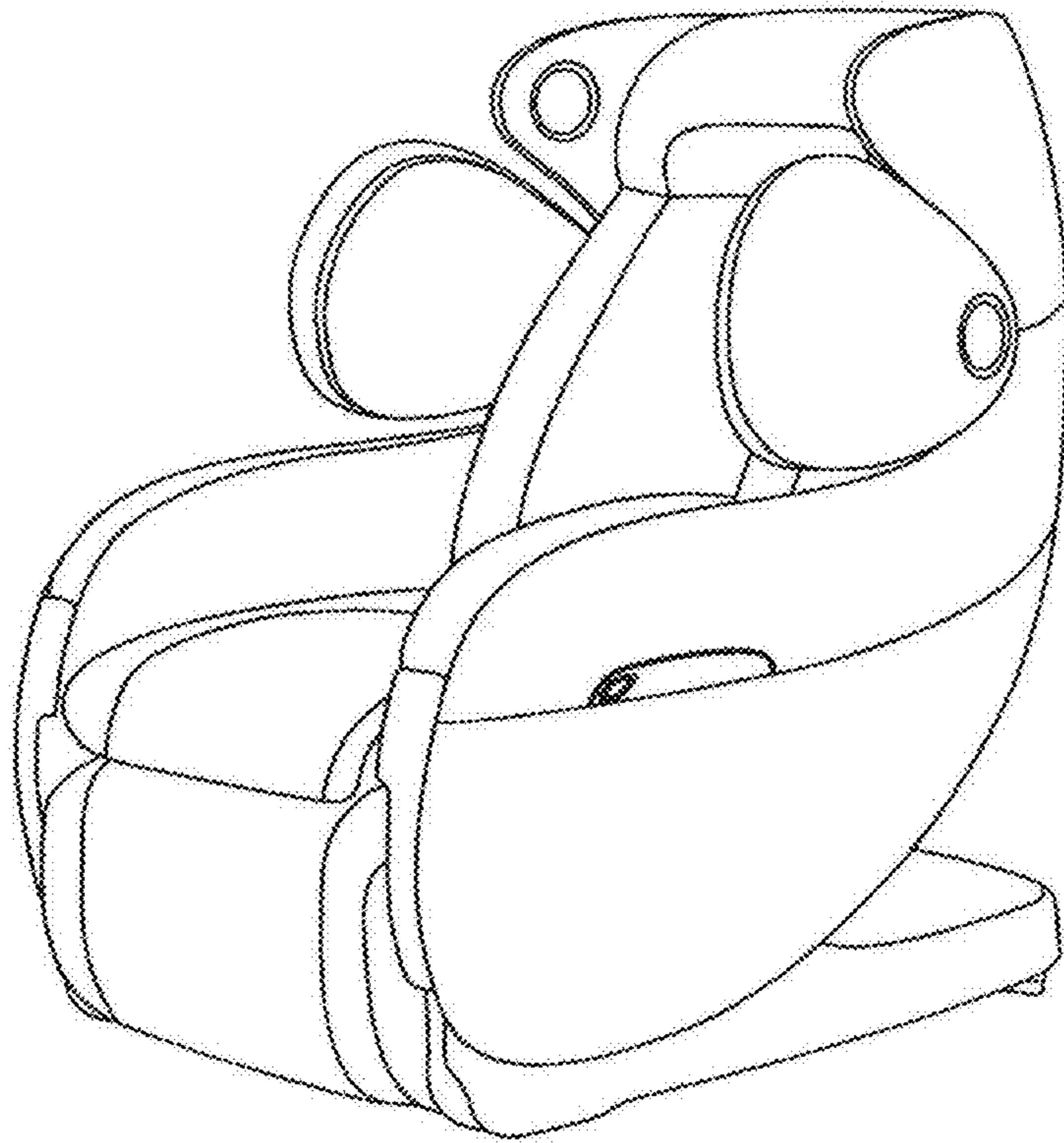


FIG. 2

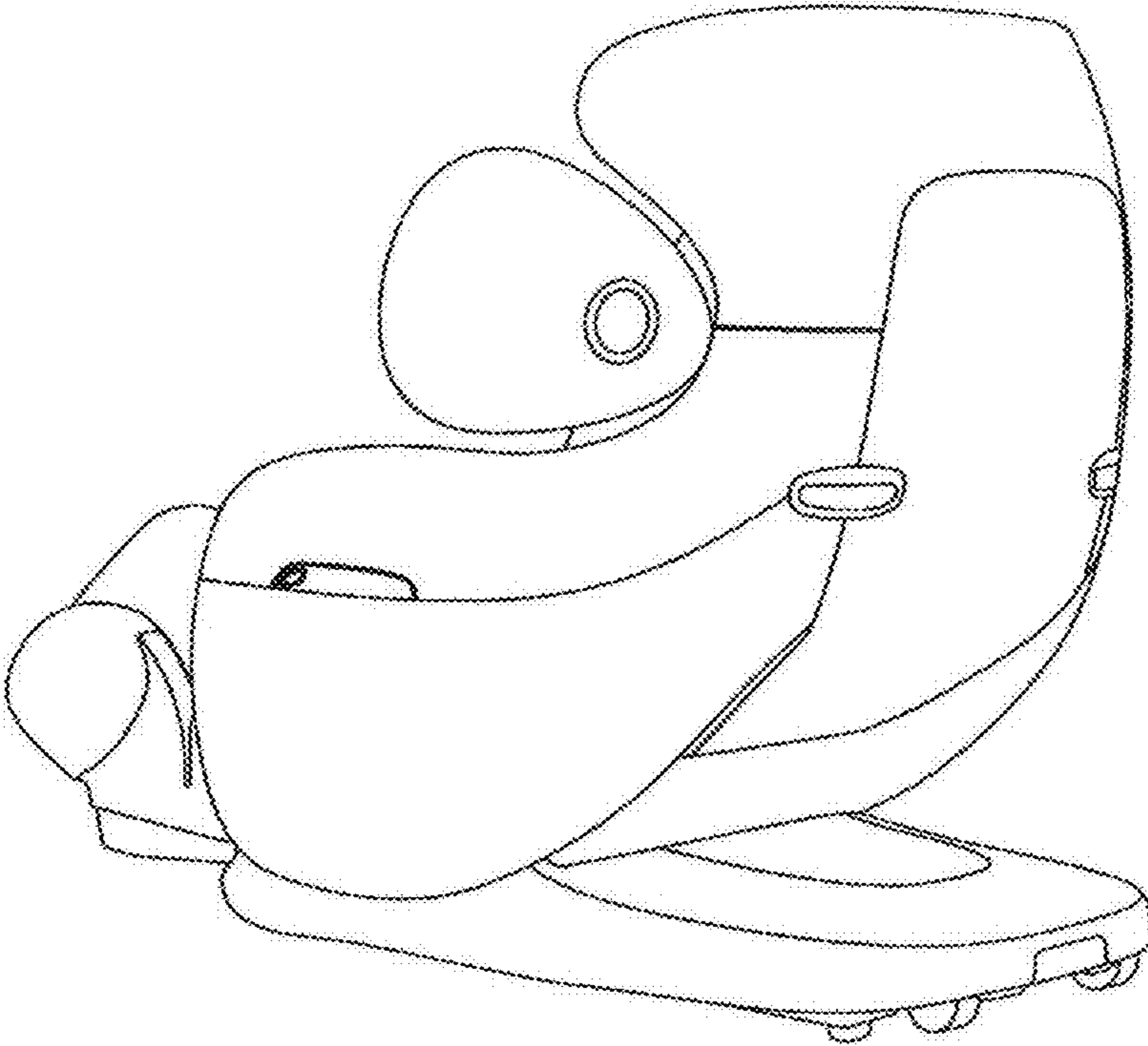


FIG. 3

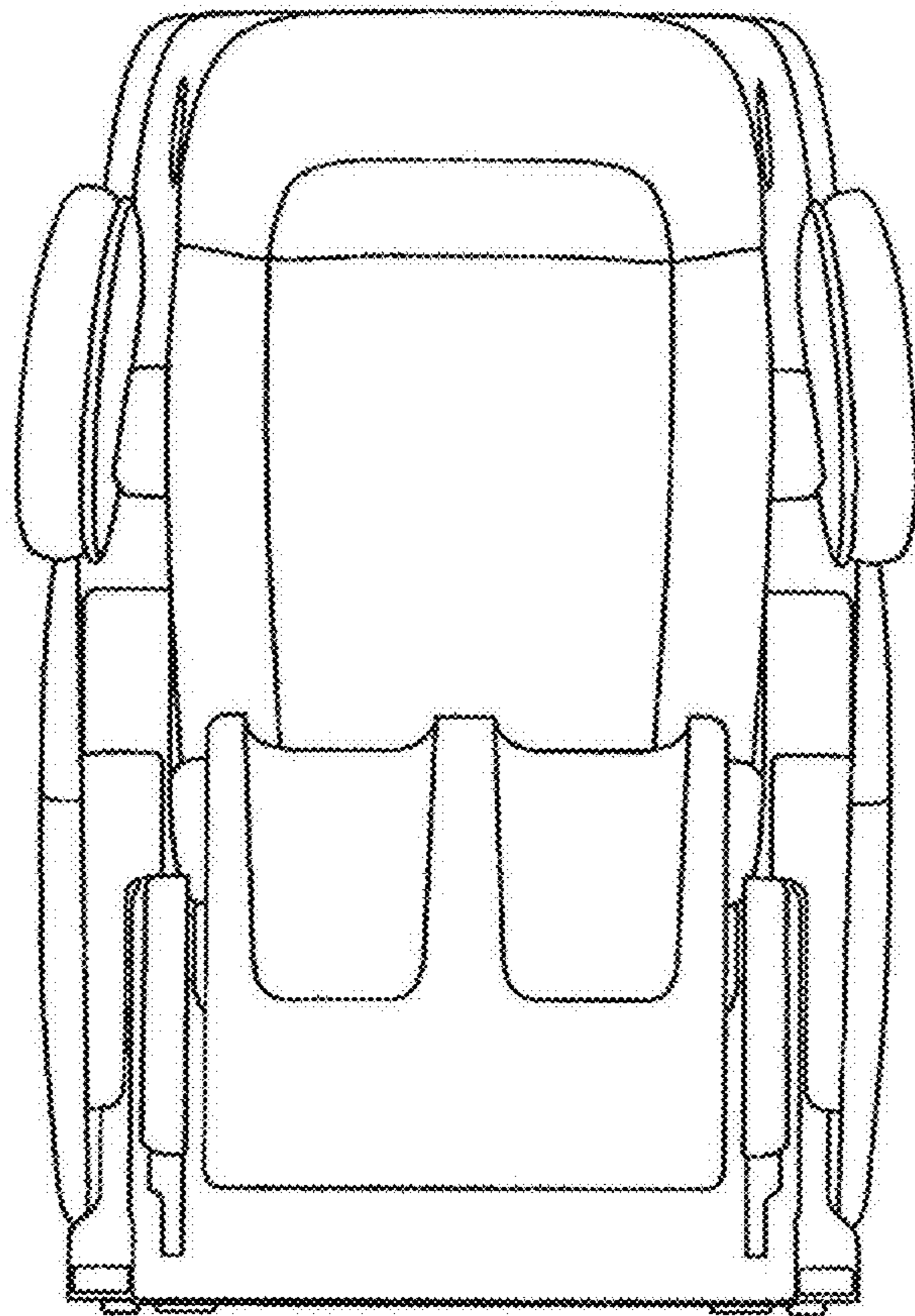


FIG. 4

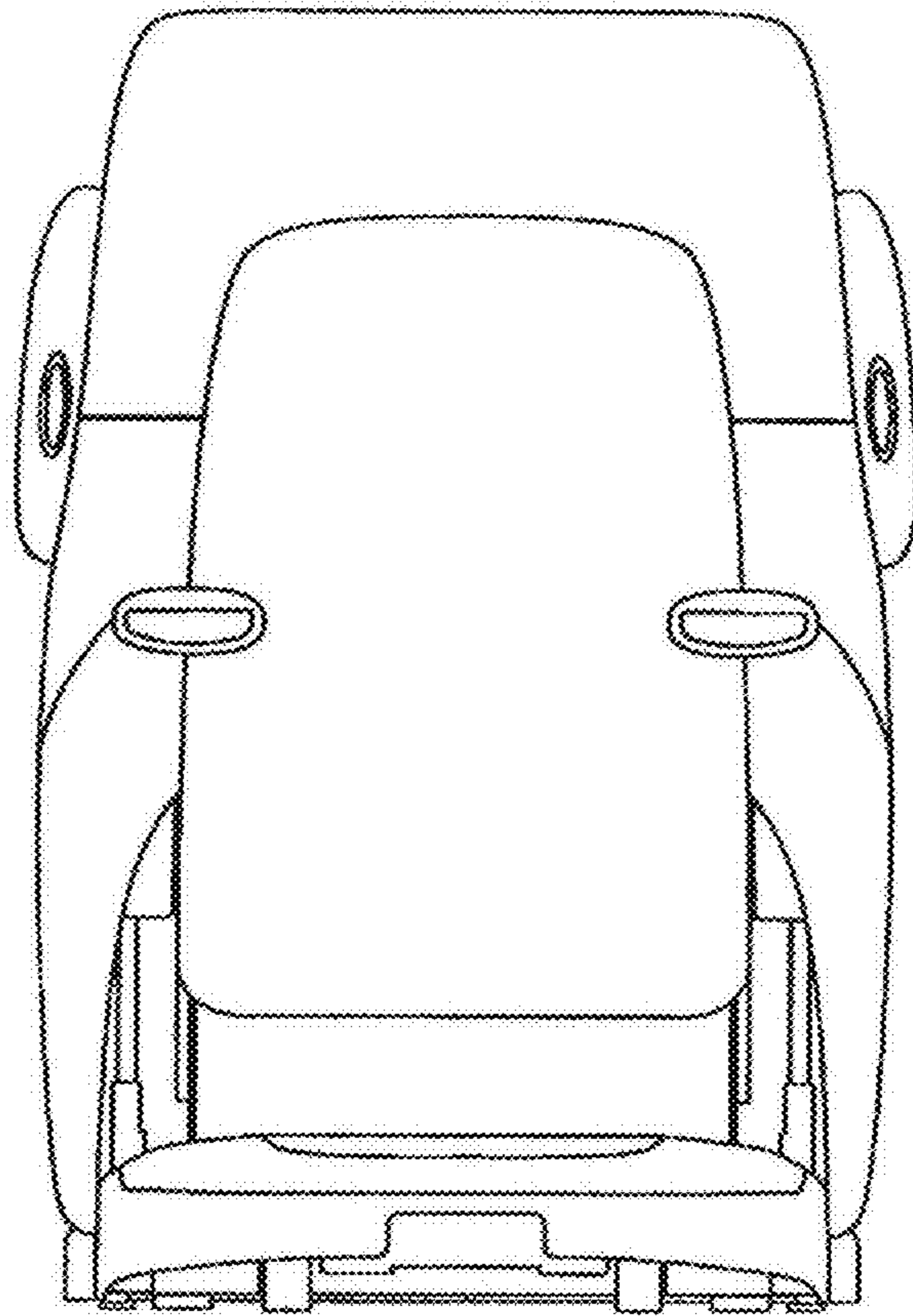


FIG. 5

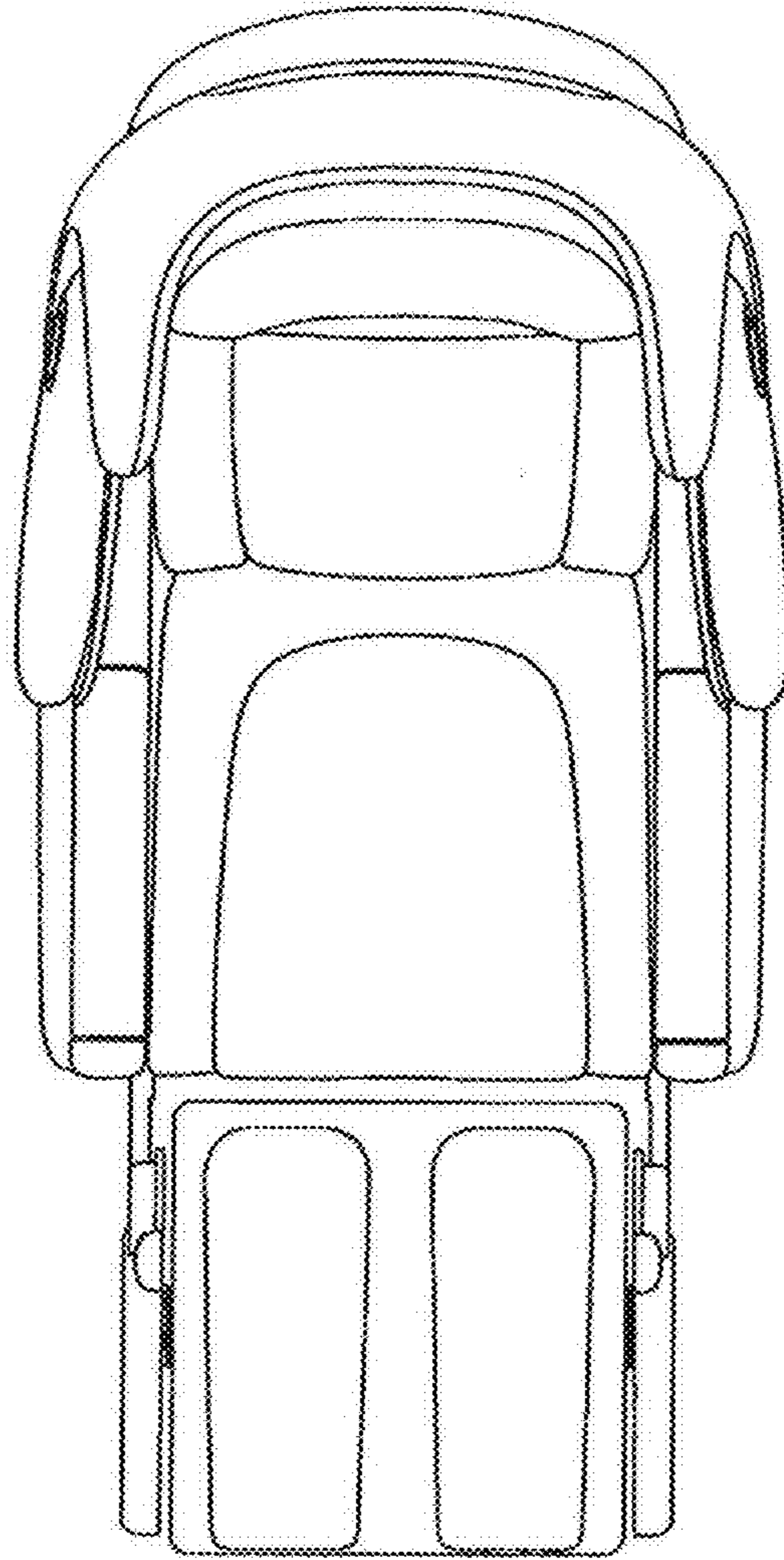


FIG. 6

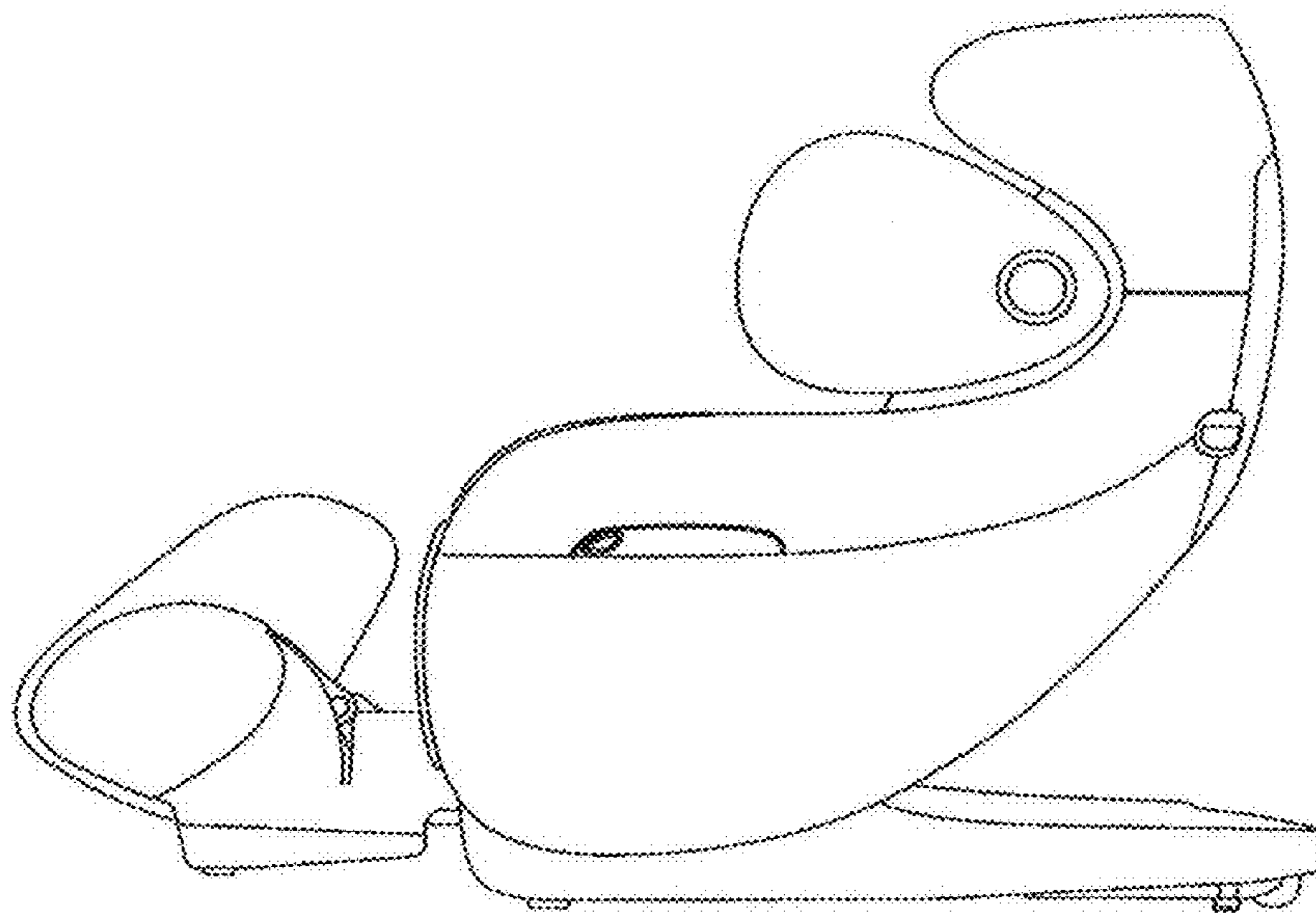


FIG. 7

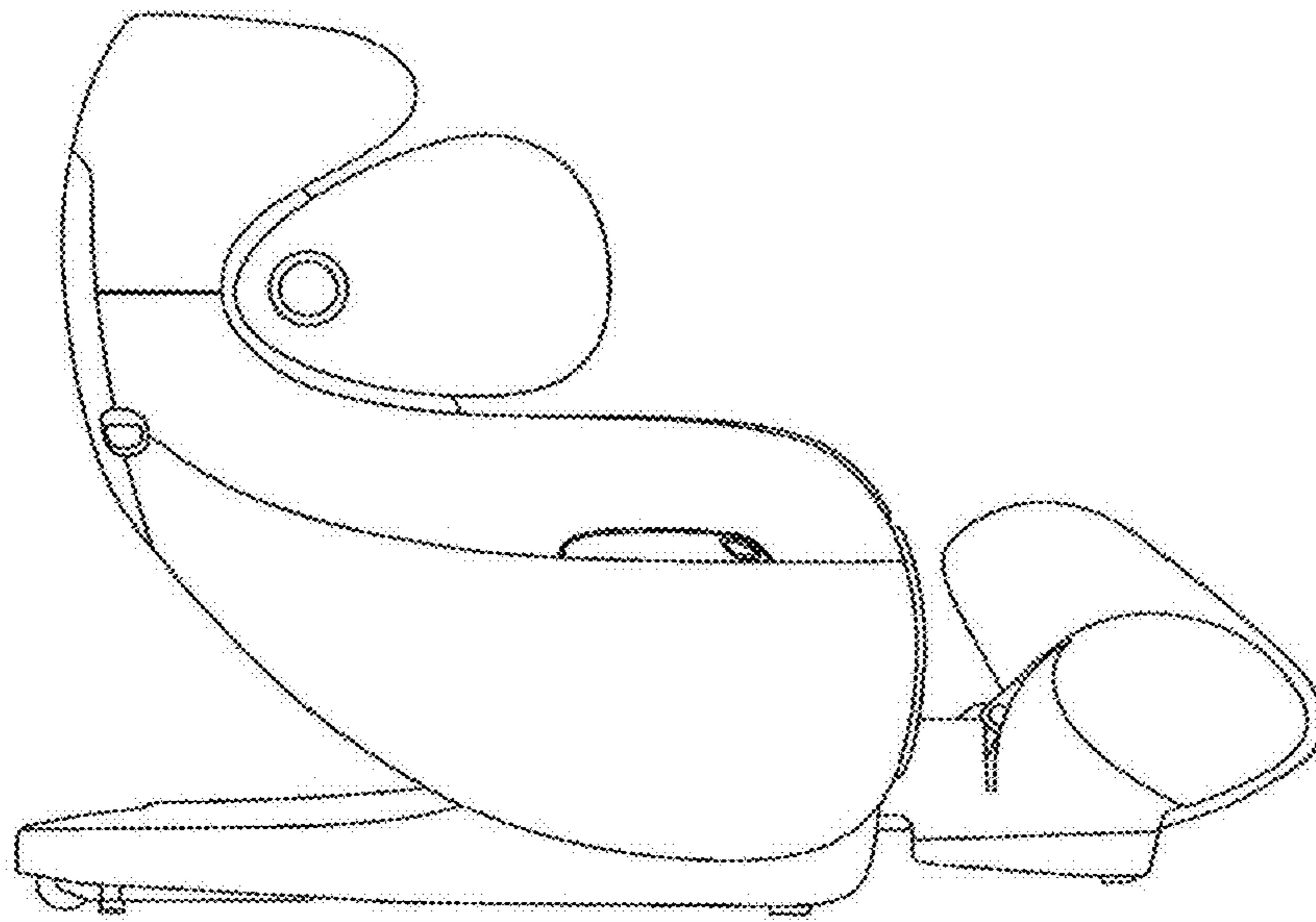


FIG. 8