



US00D704946S

(12) **United States Design Patent**
Wu

(10) **Patent No.:** **US D704,946 S**

(45) **Date of Patent:** **** May 20, 2014**

(54) **CHAIR FRAME**

(71) Applicant: **Yao-Chuan Wu**, Chiayi Hsien (TW)

(72) Inventor: **Yao-Chuan Wu**, Chiayi Hsien (TW)

(**) Term: **14 Years**

(21) Appl. No.: **29/460,322**

(22) Filed: **Jul. 10, 2013**

(51) **LOC (10) Cl.** **06-01**

(52) **U.S. Cl.**

USPC **D6/366**

(58) **Field of Classification Search**

USPC D6/334-336, 364, 365, 366, 367, 374,
D6/376, 379, 380, 716, 716.1, 716.2,
D6/716.3, 716.4; 297/284.4, 393, 396,
297/411.28, 452.13, 452.18, 452.21,
297/452.29, 452.3, 452.56, 452.64

See application file for complete search history.

(56) **References Cited**

U.S. PATENT DOCUMENTS

D227,829 S *	7/1973	Klose	D6/366
D443,991 S *	6/2001	Picotti	D6/366
D528,810 S *	9/2006	Giugiaro	D6/366
D543,716 S *	6/2007	Votteler et al.	D6/366
D558,492 S *	1/2008	Lu	D6/716

D568,624 S *	5/2008	Wen	D6/366
D576,416 S *	9/2008	Su	D6/366
D579,695 S *	11/2008	Wu	D6/500
D587,916 S *	3/2009	Bouroullec et al.	D6/366
D650,617 S *	12/2011	Chen	D6/716
D658,904 S *	5/2012	Chen	D6/366
D683,551 S *	6/2013	Wu	D6/366

* cited by examiner

Primary Examiner — Mimoso De

(74) *Attorney, Agent, or Firm* — Alan Kamrath; Kamrath IP Lawfirm, P.A.

(57) **CLAIM**

The ornamental design for a chair frame, as shown and described.

DESCRIPTION

FIG. 1 is a perspective view of a chair frame showing my design;

FIG. 2 is a front elevational view thereof;

FIG. 3 is a rear elevational view thereof;

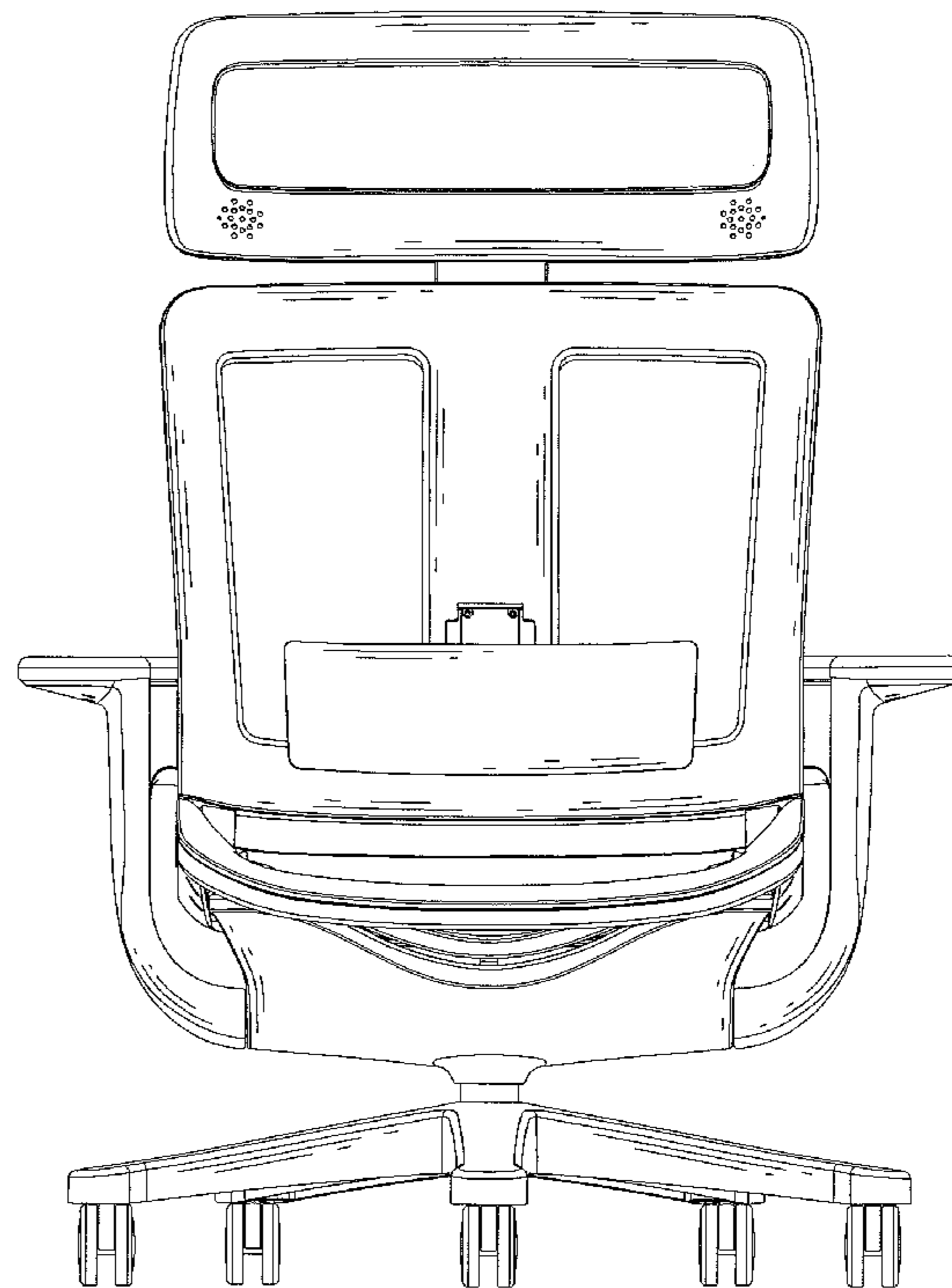
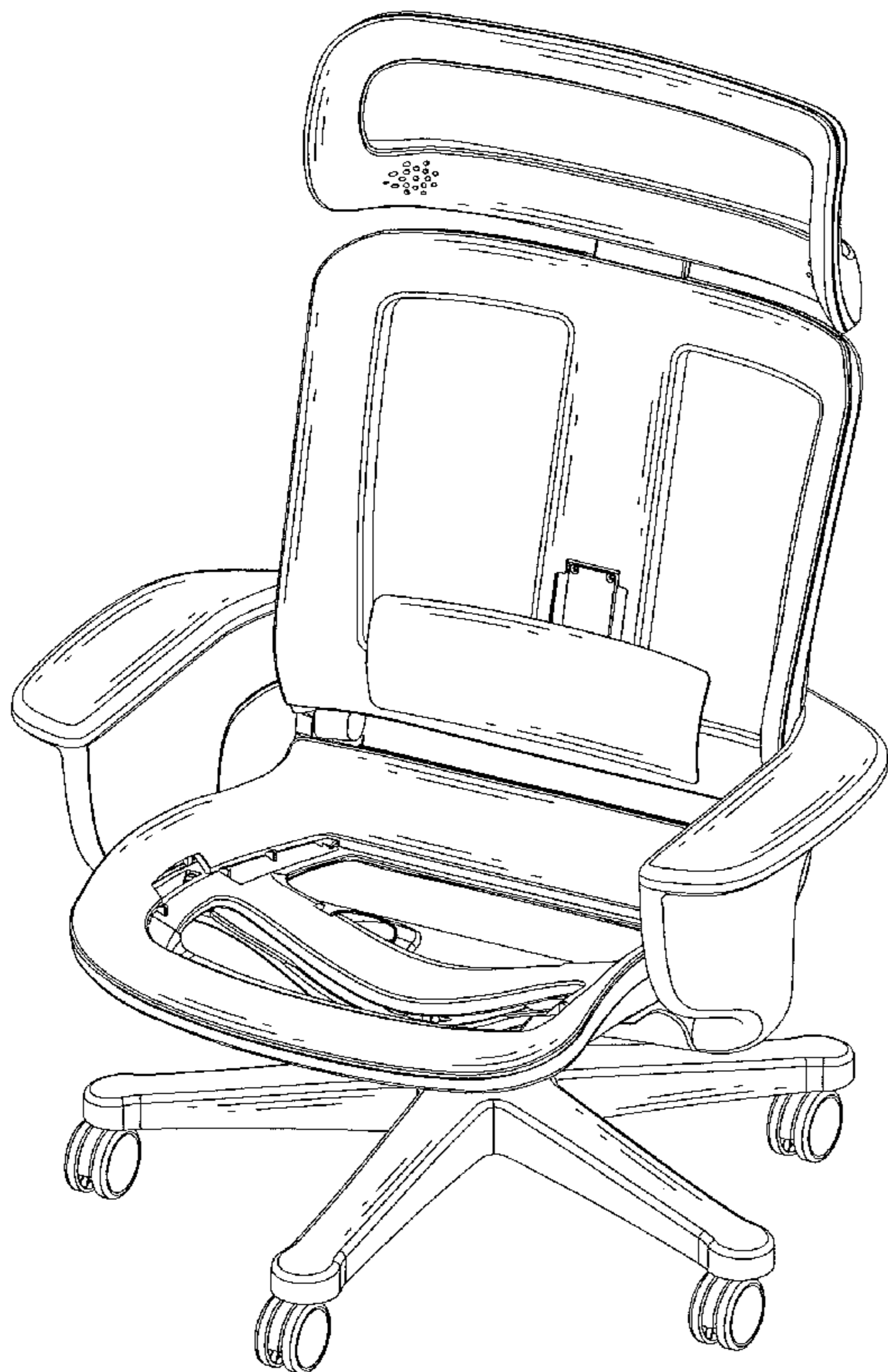
FIG. 4 is a left side elevational view thereof;

FIG. 5 is a right side elevational view thereof;

FIG. 6 is a top plan view thereof; and,

FIG. 7 is a bottom plan view thereof.

1 Claim, 7 Drawing Sheets



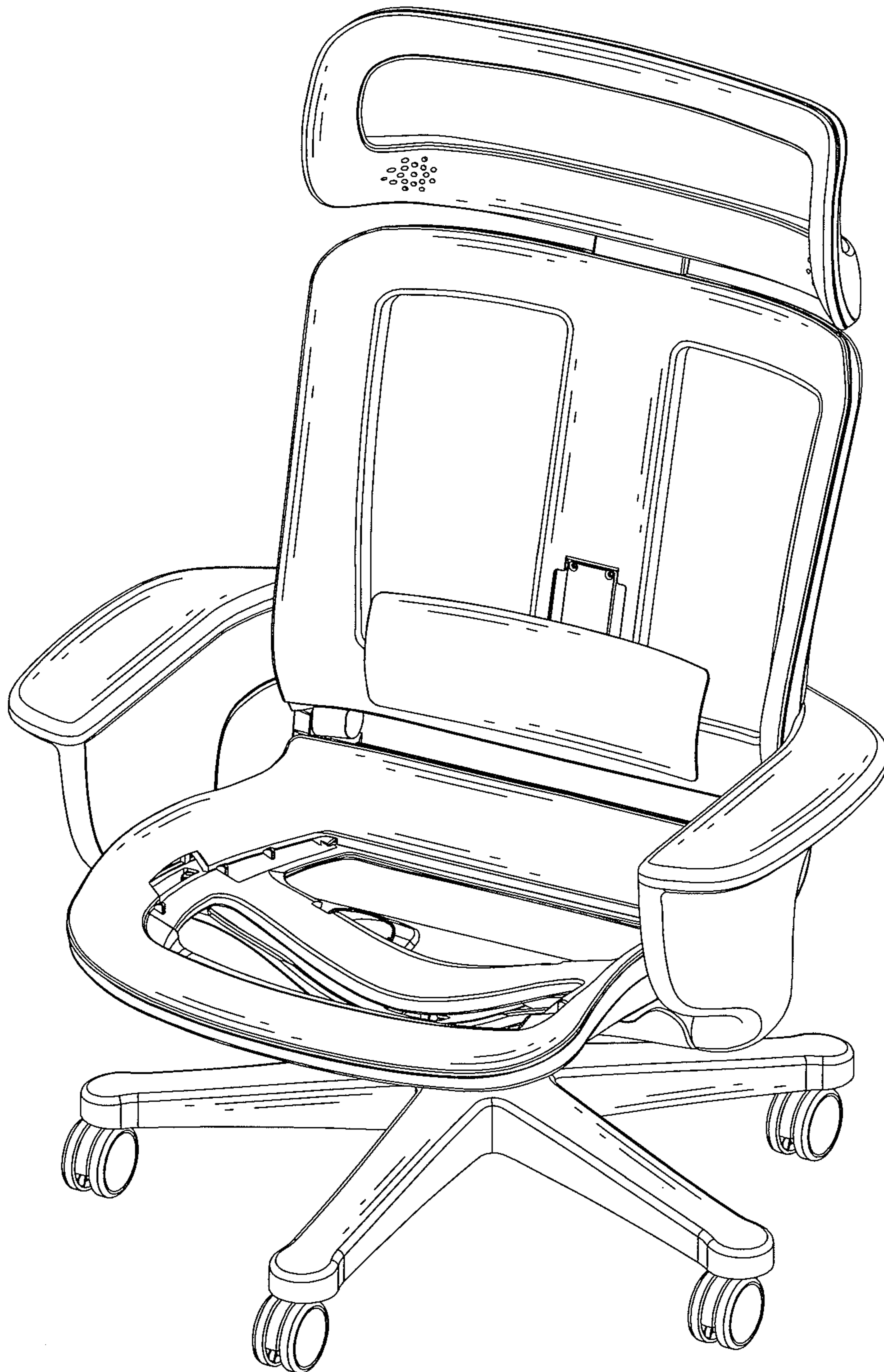


FIG. 1

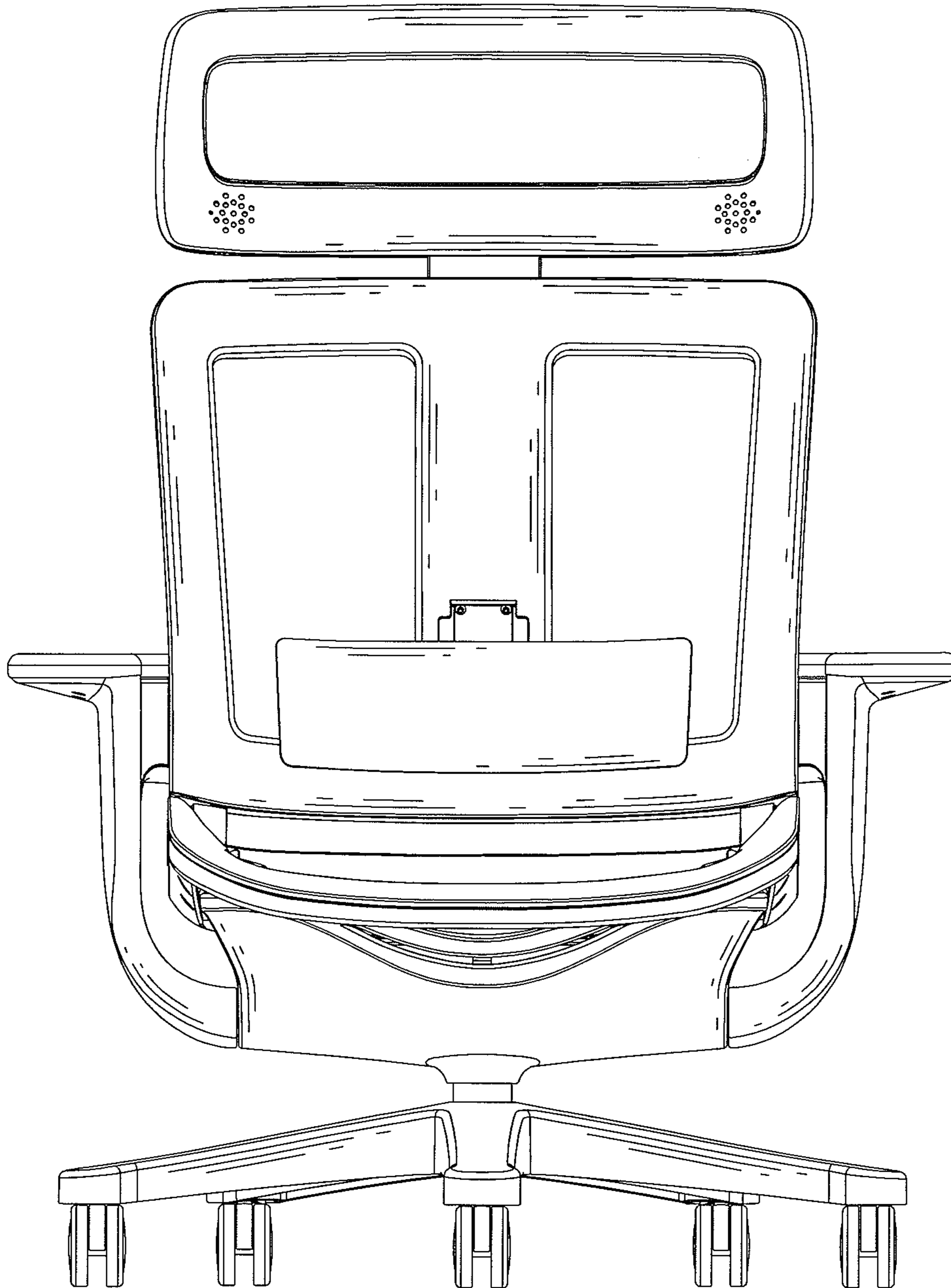


FIG. 2

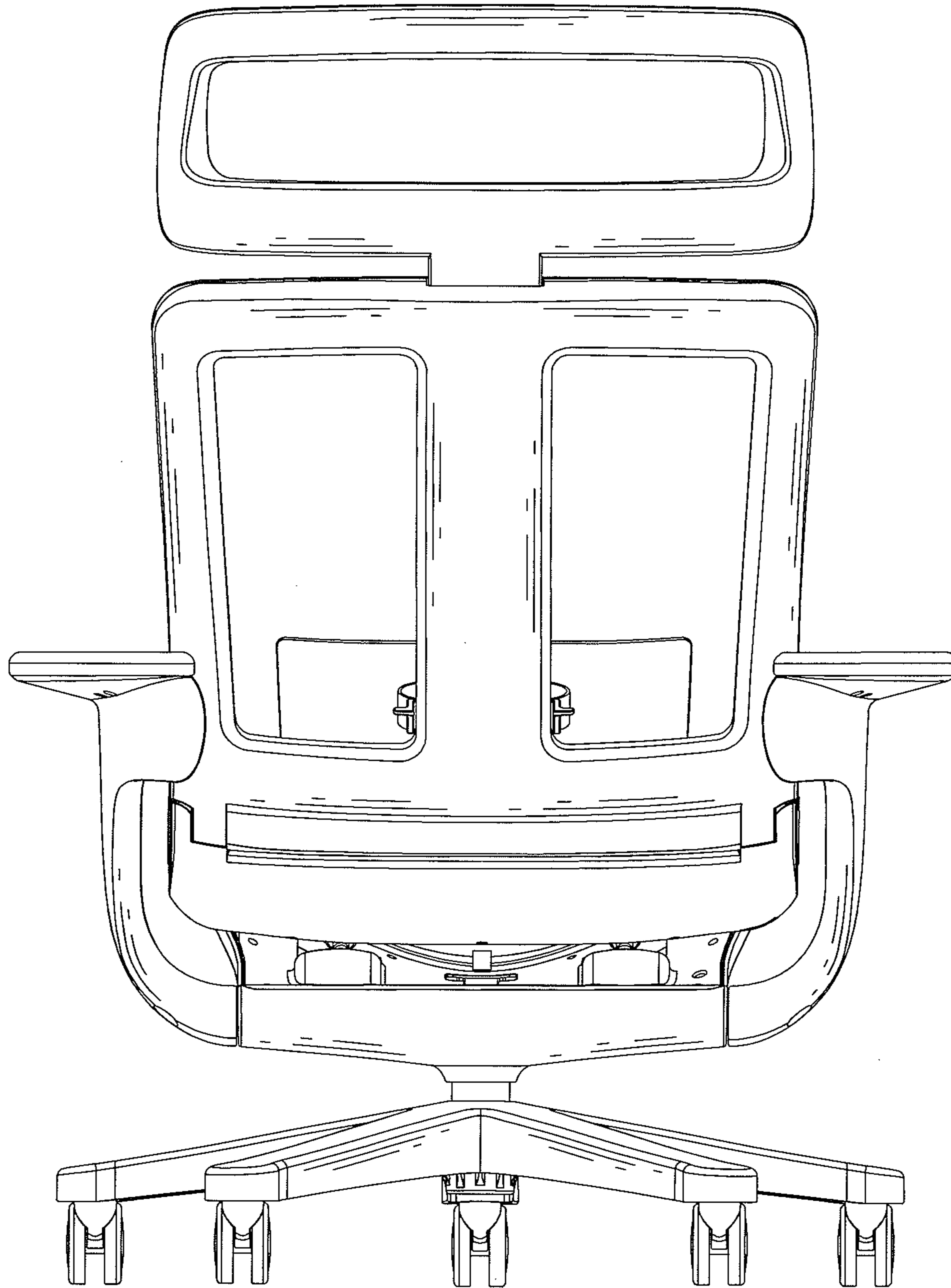


FIG. 3



FIG. 4



FIG. 5

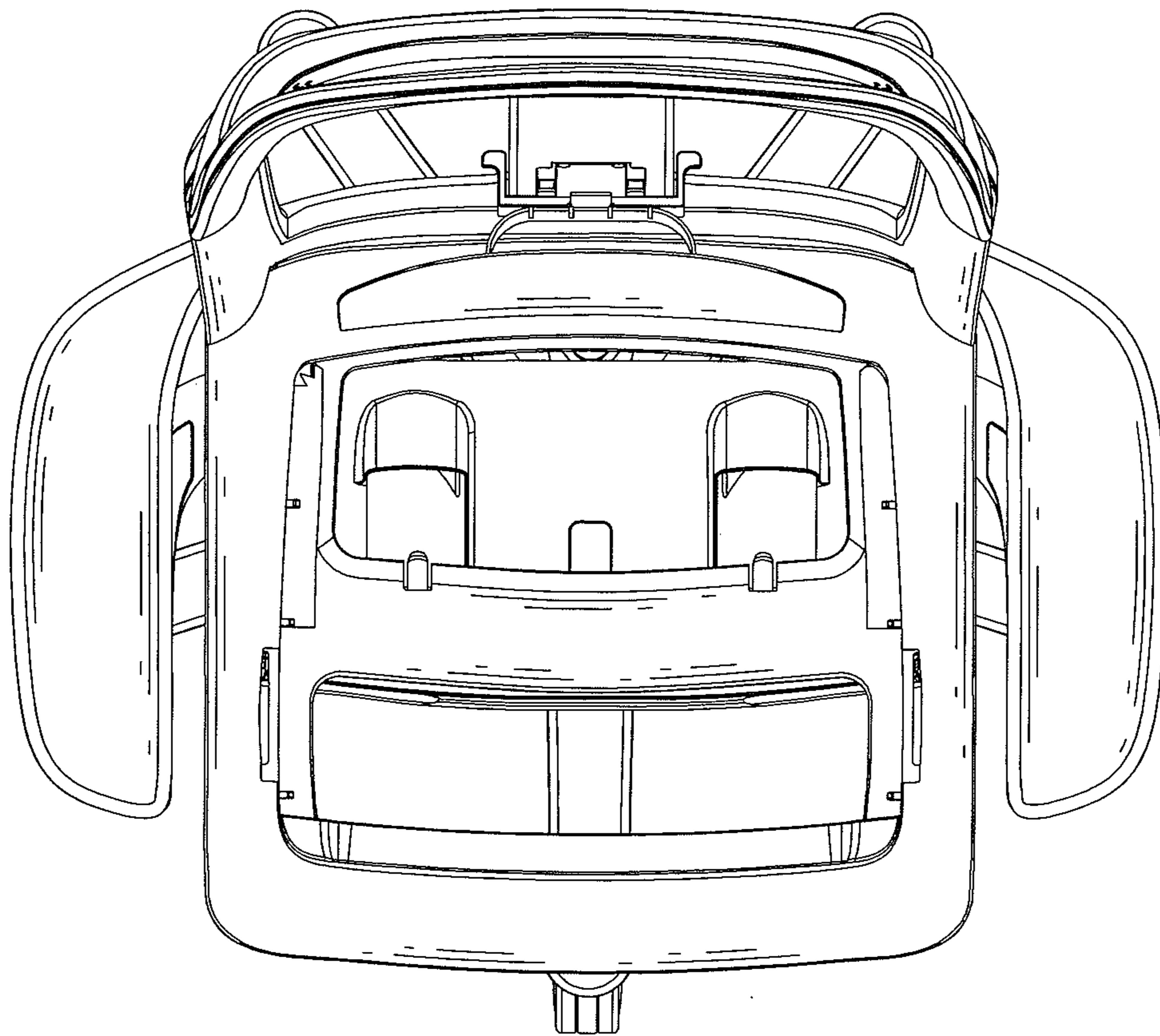


FIG. 6

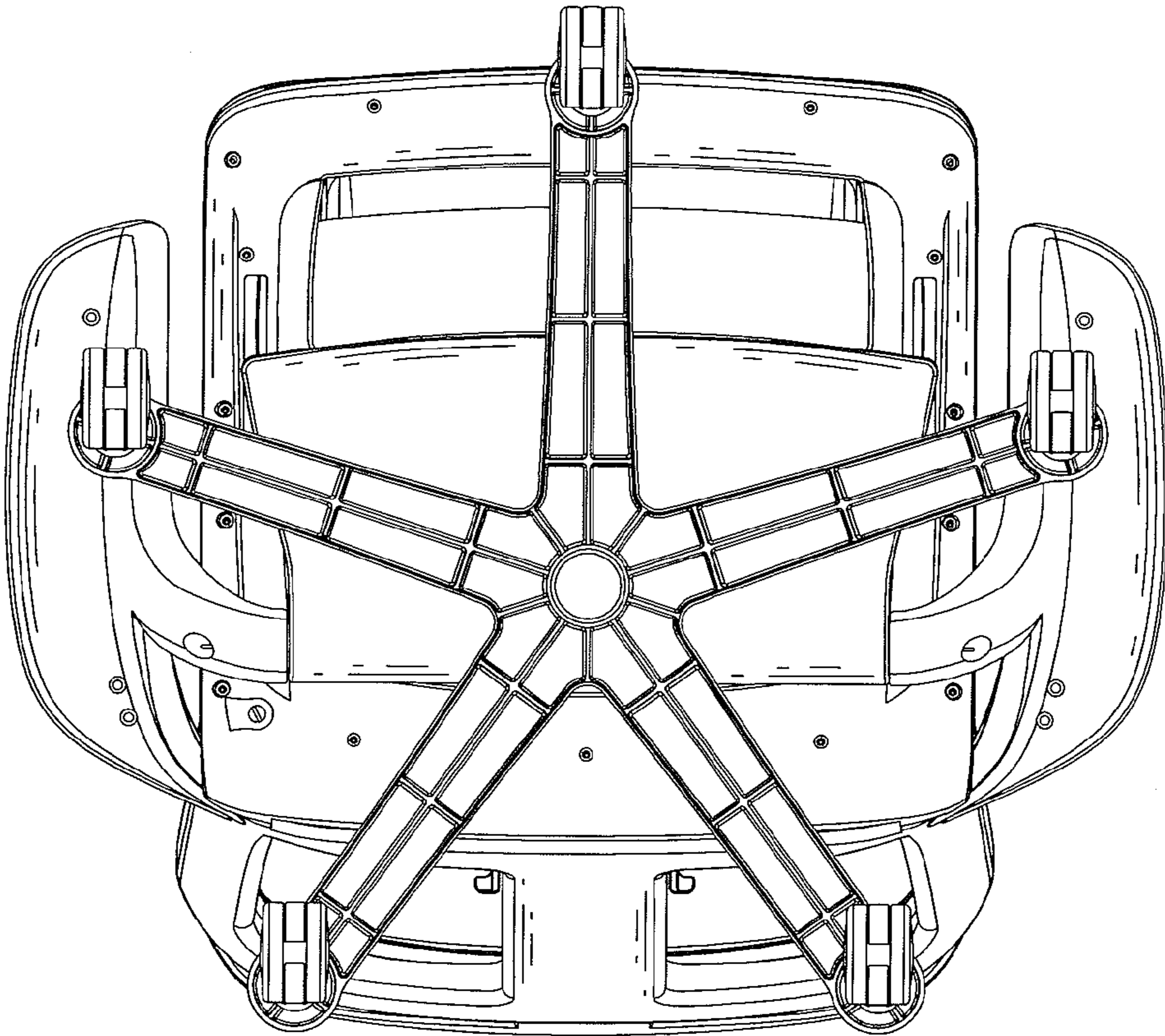


FIG. 7