



US00D704945S

(12) **United States Design Patent**  
**Massaud**

(10) **Patent No.:** **US D704,945 S**  
(45) **Date of Patent:** **\*\* May 20, 2014**

- (54) **CHAIR**
- (71) Applicant: **Steelcase Inc.**, Grand Rapids, MI (US)
- (72) Inventor: **Jean-Marie Massaud**, Paris (FR)
- (73) Assignee: **Steelcase Inc.**, Grand Rapids, MI (US)
- (\*\*) Term: **14 Years**
- (21) Appl. No.: **29/455,062**
- (22) Filed: **May 16, 2013**
- (51) **LOC (10) Cl.** ..... **06-01**
- (52) **U.S. Cl.**  
USPC ..... **D6/366**
- (58) **Field of Classification Search**  
USPC ..... D6/334–336, 364, 365, 366, 367, 374,  
D6/376, 379, 380, 716, 716.1, 716.2,  
D6/716.3, 716.4; 297/411.41, 445.1,  
297/446.1, 452.12, 452.14, 452.21, 452.29,  
297/452.3, 452.35, 452.48  
See application file for complete search history.

- 3,295,890 A 1/1967 Murdoch et al.
- 3,361,472 A 1/1968 Hasbrouck
- 3,438,099 A 4/1969 Green
- 3,441,310 A 4/1969 Gale
- 3,521,929 A 7/1970 Pearson
- D218,419 S 8/1970 Nightingale

(Continued)

**FOREIGN PATENT DOCUMENTS**

- CN 1344637 A 4/2002
- DE 2110382 9/1971

(Continued)

**OTHER PUBLICATIONS**

Vitra Organic Chair—<http://www.smow.com/en/products/seating/lounge-waiting/organic-highback.html>—at least as early as Feb. 1, 2012.

(Continued)

*Primary Examiner* — Mimosa De

(57) **CLAIM**

I claim the ornamental design for a chair, as shown and described.

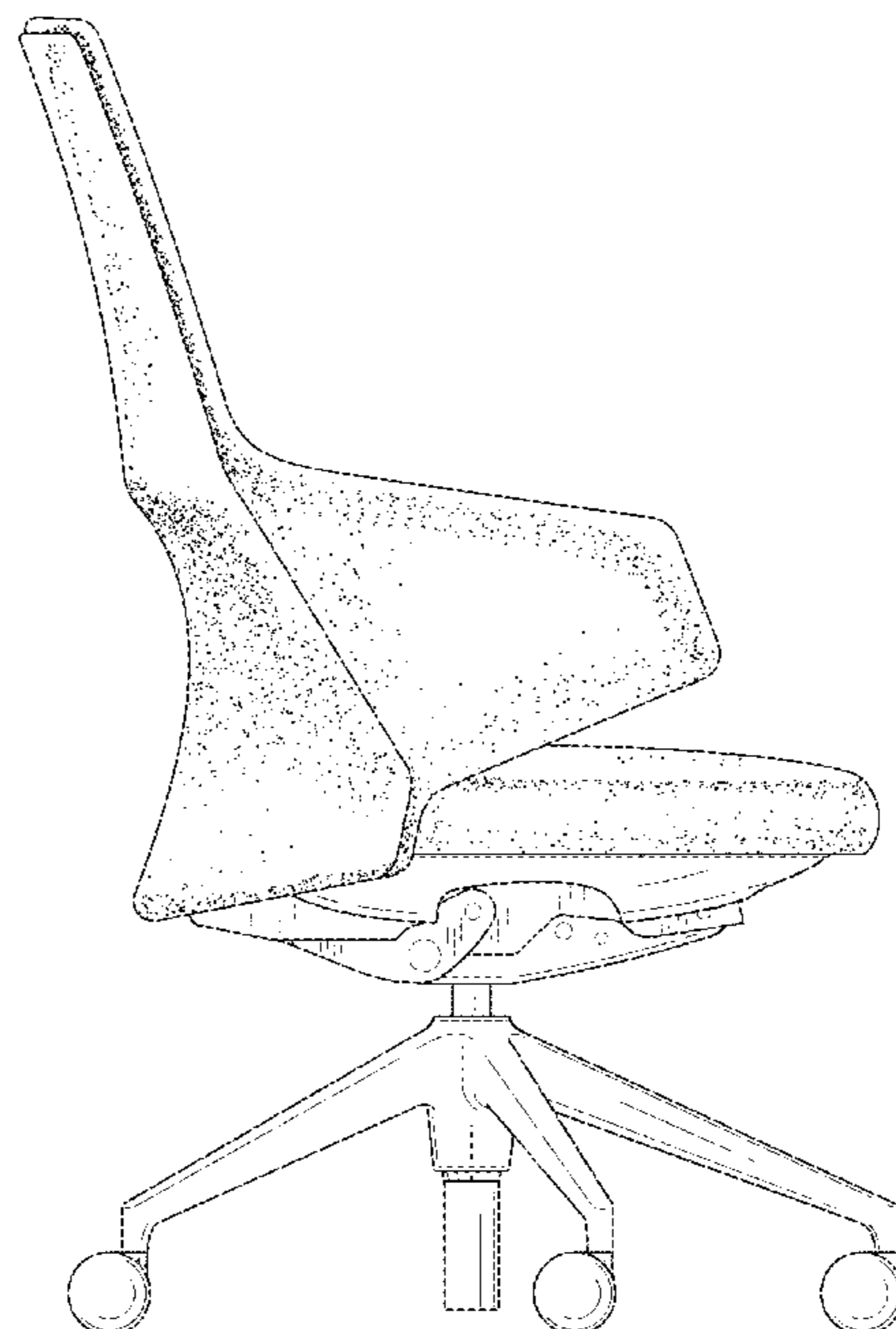
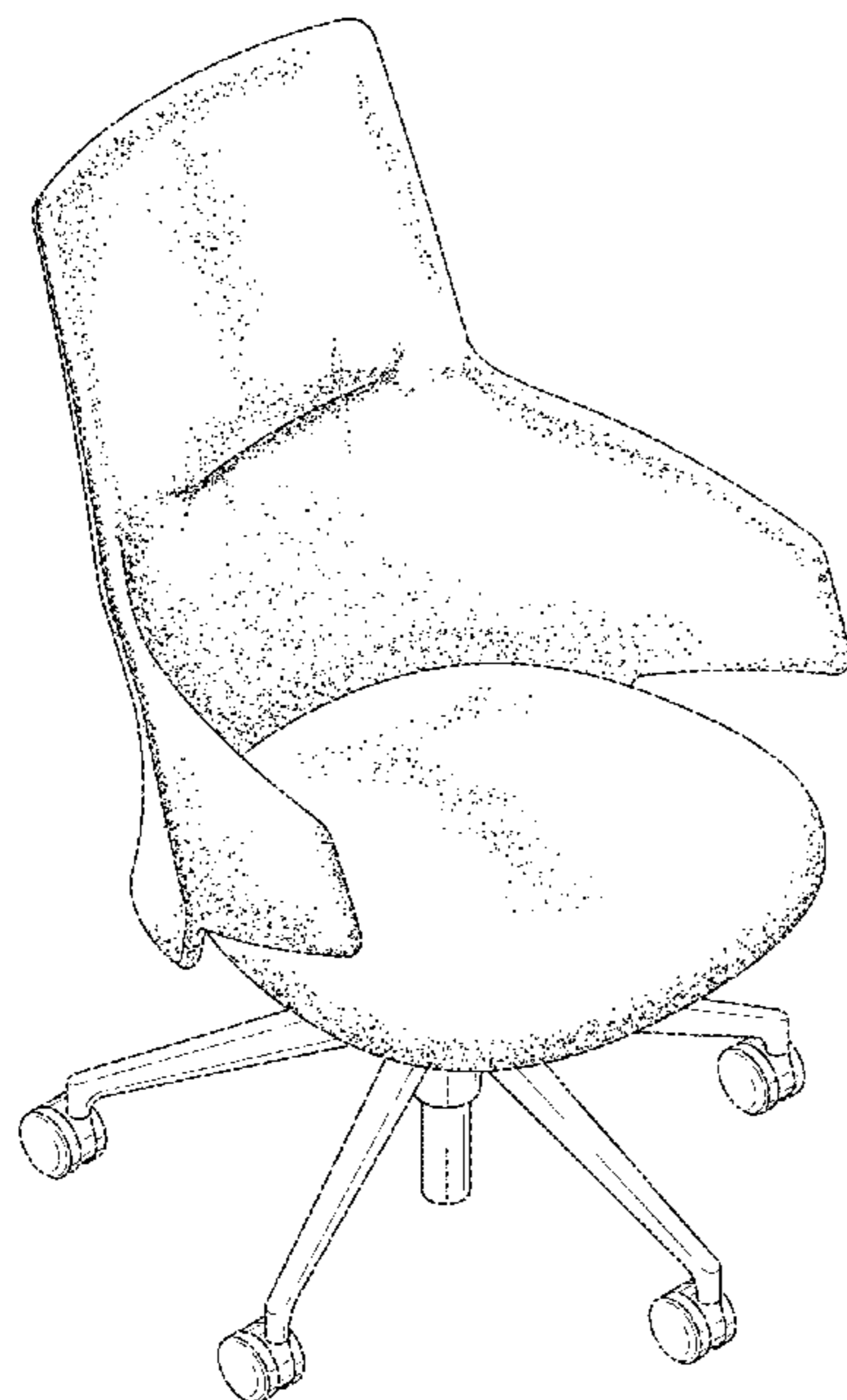
**DESCRIPTION**

FIG. 1 is a front perspective view of a chair; FIG. 2 is a front view of the chair of FIG. 1; FIG. 3 is a rear view of the chair of FIG. 1; FIG. 4 is a left side view of the chair of FIG. 1; FIG. 5 is a right side view of the chair of FIG. 1; FIG. 6 is a top view of the chair of FIG. 1; and, FIG. 7 is a bottom view of the chair of FIG. 1. The dashed lines are for purposes of illustrating environmental structure and form no part of the claimed design.

**1 Claim, 7 Drawing Sheets**

(56) **References Cited**  
**U.S. PATENT DOCUMENTS**

- 1,737 A 8/1840 King
- 634,922 A 10/1899 Waldrip
- 644,683 A 3/1900 Pumphrey
- 2,492,103 A 12/1949 Merrill
- 2,541,835 A 2/1951 Eero
- 2,606,601 A 8/1952 Eero
- 2,693,227 A 11/1954 Holland
- 2,738,835 A 3/1956 Charles
- 2,748,835 A 6/1956 Barecki
- 2,763,318 A 9/1956 Bertioia
- 2,993,733 A 7/1961 Pinkham
- 3,258,259 A 6/1966 Ivar



(56)

References Cited

U.S. PATENT DOCUMENTS

3,574,400	A	4/1971	Day	D489,542	S	5/2004	Giugiaro
3,586,370	A	6/1971	Barecki et al.	D493,626	S	8/2004	James
3,604,073	A	9/1971	Green	D497,487	S	10/2004	Azumi et al.
D231,757	S	6/1974	Golzer	6,811,215	B2	11/2004	Horiki et al.
3,847,433	A	11/1974	Acton et al.	D499,564	S	12/2004	Meda
D245,378	S	8/1977	Roericht	D499,895	S	12/2004	Olson et al.
D245,886	S	9/1977	Wilson	D502,016	S	2/2005	Goodworth
4,065,181	A	12/1977	Gunlock et al.	D503,300	S	3/2005	Olson
D246,813	S	1/1978	Tolleson	D503,560	S	4/2005	Rowland et al.
D252,446	S	7/1979	Traugott	D504,026	S	4/2005	Glass et al.
4,240,663	A	12/1980	Locher	6,880,215	B2	4/2005	Peterson
D259,598	S	6/1981	Locher	D505,022	S	5/2005	Mills et al.
D260,330	S	8/1981	Ruf	6,886,890	B2	5/2005	Rowland et al.
D270,020	S	8/1983	Drabert	D507,890	S	8/2005	Mills et al.
D271,825	S	12/1983	Snodgrass	D511,416	S	11/2005	Obbitts et al.
D273,729	S	5/1984	Pelly et al.	D512,846	S	12/2005	Goodworth
D274,768	S	7/1984	Ohl	6,971,717	B1	12/2005	Rhodes
D274,771	S	7/1984	Amabsz	D514,829	S	2/2006	Glass et al.
D275,050	S	* 8/1984	Aronowitz et al. ....	D518,304	S	4/2006	Crescenti
D275,158	S	* 8/1984	Aronowitz et al. ....	D518,968	S	4/2006	Magnani et al.
4,471,995	A	9/1984	Wisniewski	D525,445	S	7/2006	Liu et al.
D276,576	S	12/1984	Helmholdt	D531,420	S	11/2006	Kita
D279,246	S	6/1985	Murry	7,134,722	B2	11/2006	Ueda et al.
4,552,406	A	11/1985	Ohl	D536,884	S	2/2007	Meda
4,556,254	A	12/1985	Roberts	D542,039	S	5/2007	Glass et al.
D288,388	S	2/1987	Ochsner	D544,230	S	6/2007	Glass et al.
D288,506	S	3/1987	Ochsner	D546,085	S	7/2007	Ritch et al.
4,744,603	A	5/1988	Knoblock	D546,087	S	7/2007	Rashid
5,015,038	A	5/1991	Mrotz, II	D547,980	S	8/2007	Glass et al.
D345,867	S	4/1994	Narita	D548,474	S	8/2007	Fancelli
5,318,346	A	6/1994	Roossien et al.	D548,993	S	8/2007	Fancelli
D350,032	S	8/1994	Beaulieu	D549,018	S	8/2007	Glass et al.
D350,033	S	8/1994	Beaulieu	D550,471	S	9/2007	Igarashi
5,344,211	A	9/1994	Adat et al.	D552,362	S	10/2007	Bouroullec et al.
5,364,197	A	11/1994	Powers	D552,856	S	10/2007	Chan
5,460,427	A	10/1995	Serber	D553,380	S	10/2007	Natuzzi
5,486,035	A	1/1996	Koepke et al.	D554,386	S	11/2007	Nobles et al.
5,489,145	A	2/1996	Van Hekken	D555,372	S	11/2007	Lin
D381,525	S	7/1997	James	D555,380	S	11/2007	Farber
D391,089	S	2/1998	Chu	7,293,833	B2	11/2007	Takeuchi et al.
D392,471	S	3/1998	Smith	D560,381	S	1/2008	Dauphin
D394,961	S	6/1998	Fancelli	D573,363	S	7/2008	Pillet
D396,155	S	7/1998	Shamir	D578,786	S	10/2008	Cantarutti
D396,976	S	8/1998	Cronk	7,455,365	B2	11/2008	Caruso et al.
D400,018	S	10/1998	James et al.	7,458,918	B1	12/2008	Clark
5,871,258	A	2/1999	Batthey et al.	D584,066	S	1/2009	Greutmann
D406,195	S	3/1999	Gamberini	D584,521	S	* 1/2009	Massaud ..... D6/366
D410,799	S	6/1999	Meda	D585,657	S	* 2/2009	Massaud ..... D6/366
D417,792	S	12/1999	Hansen et al.	D586,137	S	2/2009	Massaud
6,039,397	A	3/2000	Ginat	D592,876	S	5/2009	Smith et al.
D423,259	S	4/2000	Grove	D595,971	S	7/2009	Ueda
6,050,646	A	4/2000	Stenzel et al.	D600,052	S	9/2009	Smith et al.
D428,273	S	7/2000	Ohl	D605,866	S	12/2009	Igarashi
6,109,696	A	8/2000	Newhouse et al.	7,631,940	B1	12/2009	Jager
D430,973	S	9/2000	Frankel et al.	7,651,163	B2	1/2010	Jaskot et al.
6,129,419	A	10/2000	Neale	D609,021	S	2/2010	Ooki et al.
6,149,236	A	11/2000	Braunin	D611,263	S	3/2010	Werner
D440,064	S	4/2001	Deacon	7,686,399	B2	3/2010	Heidmann et al.
D446,955	S	8/2001	Zemp	D616,654	S	6/2010	Igarashi
D449,173	S	10/2001	Chang	7,841,666	B2	11/2010	Schmitz et al.
D456,160	S	4/2002	Van De Riet et al.	7,857,388	B2	12/2010	Bedford et al.
D456,625	S	5/2002	Frenkler et al.	7,871,131	B2	1/2011	Rowland et al.
D457,007	S	5/2002	Pearce et al.	D637,423	S	5/2011	Behar et al.
6,425,637	B1	7/2002	Peterson	D637,829	S	5/2011	Citterio
D461,327	S	8/2002	Pearce et al.	D639,091	S	6/2011	Behar et al.
6,428,105	B1	8/2002	Ellis et al.	D643,642	S	8/2011	Figuroa
6,499,801	B1	12/2002	Peterson et al.	D646,915	S	10/2011	Behar et al.
6,523,898	B1	2/2003	Ball et al.	D650,206	S	12/2011	Behar et al.
D471,024	S	3/2003	Chadwick et al.	D652,657	S	1/2012	Behar et al.
D471,042	S	3/2003	Scmitz et al.	D652,658	S	1/2012	Figuroa
D474,040	S	5/2003	Meda	D653,061	S	1/2012	Behar et al.
D475,859	S	6/2003	Kryger	D656,761	S	4/2012	Igarashi et al.
6,572,190	B2	6/2003	Koepke et al.	D657,152	S	* 4/2012	Lievore et al. .... D6/366
D476,821	S	7/2003	Koepke et al.	D661,135	S	6/2012	Diffrient
6,705,678	B1	3/2004	Albright et al.	D661,505	S	6/2012	Ballendat
				8,240,771	B2	8/2012	Diffrient
				8,251,454	B2	8/2012	Tsukiji et al.
				D670,096	S	11/2012	Grcic
				D670,927	S	11/2012	Hurford

(56)

**References Cited**

## U.S. PATENT DOCUMENTS

D671,332 S	11/2012	Izawa	
D673,383 S	1/2013	Giugiaro	
D673,394 S	1/2013	Huford	
D676,682 S *	2/2013	Citterio .....	D6/366
2008/0231096 A1	9/2008	Romero	
2009/0121534 A1	5/2009	Bräuning	
2011/0272986 A1	11/2011	Iacovoni et al.	
2012/0007400 A1	1/2012	Behar et al.	

## FOREIGN PATENT DOCUMENTS

EP	1454570 A	9/2004
EP	2130456 A1	12/2009
EP	2233044 A1	9/2010
EP	2359717 A1	8/2011
EP	2580993 A1	4/2013
JP	10033300 A	2/1998
JP	2003135200 A	5/2003
JP	2006271623 A	10/2006
WO	02098261 A1	12/2002
WO	2007109872 A1	10/2007
WO	2011130264 A1	10/2011
WO	2012167940 A1	12/2012

## OTHER PUBLICATIONS

- Dining Chair—No Manufacturer listed—<http://www.comparestoreprices.co.uk/dining-furniture/furnituretoday-prim-rose-oatmeal-linen-curved-dining-chairs.asp>—Date unknown.
- International Design Empress—<http://www.wayfair.com/International-Design-USA-Empress-Side-Chair-Set-of-2-C778-1>—Date unknown.
- Regal Express—<http://www.totallyfurniture.com/regal-63c-030c4-vs.html>—Date unknown.
- Regal Bart Stool—<http://www.barstools.com/bar-height-stools/metal/relaxationloungebarstool.cfm>—Date unknown.
- Luna Swivel Bucket Chair—<http://www.worldofbarstools.com/products/LUNA-SWIVEL-BUCKET-CHAIR-IN-WHITE-similar-in-design-to-a-tub-chair-but-with-a-contemporary-twist.html>—Date unknown.
- Ophelia Chair—Knoll—<http://www.homedit.com/comfortable-and-stylish-ophelia-chair-from-leolux/>—Date unknown.
- Arrow Range 5 Chair—[http://www.huntsoffice.co.uk/office-furniture/i/101/823/office-chairs--seating/break-out---tubs/luxy/arrow-seating-range#picture\\_area](http://www.huntsoffice.co.uk/office-furniture/i/101/823/office-chairs--seating/break-out---tubs/luxy/arrow-seating-range#picture_area)—Date unknown.
- William Sonoma Baxter Dining Chair—<http://www.acreativeinterior.com/desire-it-acquire-it-button-tufted-dining-chairs-2/>—Date unknown.
- Kenbury Tub Chair—<http://eccotrading.com/products/seating/159/kenbury-tub-chair>—Date unknown.
- Card table and chairs—[http://www.peters-revington.com/cr\\_showroom.cfm?p=T141-356AW3](http://www.peters-revington.com/cr_showroom.cfm?p=T141-356AW3)—Date unknown.
- Wise Economy Pontoon Seat—<http://www.north-american-waterway.com/pontoon-boat-accessories-pontoon-boat-seats4.htm>—Date unknown.
- Blue Sea Boat Seat—<http://www.nauticexpo.com/prod/blueseacorp-Ida/helm-boat-seats-bucket-35909-264515.html>—Date unknown.
- Jaguar E Type Bucket Seat—[http://www.khupholstery.com/Product\\_Jaguar\\_Etype\\_FrontSeat.html](http://www.khupholstery.com/Product_Jaguar_Etype_FrontSeat.html)—Date unknown.
- Mellow Bar Stool—<http://www.atlanticshopping.co.uk/bar-stools/mellow-bar-stool-red.html>—Date unknown.
- 20th Century Tub Chair—<http://www.1818auctioneers.co.uk/sales/lot/23373/66/470/An-early-20th-century-tub-chair-having-cane-back-panel-and-shaped-frame/>—Date unknown.
- Croft mesh executive chair—<http://www.alphasonoffice.com/product/croft-mesh-executive-chair/AOC1010-M-BLK/48/>—Date unknown.
- Fit Chair—<http://www.materialica.de/index.php?id=312&L=4>—Date unknown.
- Abraham rocking chair—<http://www.contemporist.com/2008/06/15/the-abraham-rocking-chair-from-elmar-flototto/>—Date unknown.
- Matteo Grassi Barrel Chair—Mesh—[http://www.buyfurnitureyoulove.org/matteo\\_grassi\\_desk\\_chair\\_leather\\_office\\_chairs\\_barrel\\_chair\\_white\\_woven\\_design\\_p\\_11433.html](http://www.buyfurnitureyoulove.org/matteo_grassi_desk_chair_leather_office_chairs_barrel_chair_white_woven_design_p_11433.html)—Release date appears to be Apr. 2010.
- Overman style chair—<http://www.antiquehelper.com/item/311132>—Date unknown.
- Vintage chair—no name—<http://newyork.craigslist.org/brk/fuo/2875463319.html>—Date unknown.
- Vintage Eero Saarinen Style Dining Chairs Set—[http://www.metroretrofurniture.com/New\\_Website/145Scandinavian8806Vintage.html](http://www.metroretrofurniture.com/New_Website/145Scandinavian8806Vintage.html)—Date unknown.
- Saarinen Tulip Style Chair—<http://www.allmodern.com/Knoll-%C2%0AE-Saarinen-Tulip-Fabric-Side-Chair-KLL1726.html>—Date unknown.
- Saarinen Dining Chair—[http://www.buyfurnitureyoulove.org/design\\_within\\_reach\\_dining\\_room\\_chairs\\_knoll\\_eero\\_saarinen\\_designer\\_designs\\_p\\_12529.html](http://www.buyfurnitureyoulove.org/design_within_reach_dining_room_chairs_knoll_eero_saarinen_designer_designs_p_12529.html)—Date unknown.
- Mario Lipperini Dining Chair—<http://www.spencerinteriors.ca/potocco.html>—Date unknown.
- Portocco Italy—Grace Arm Chair—<http://www.spencerinteriors.ca/potocco.html>—Date unknown.
- Pandanus Chair—<http://jkonawicz.com/index.php?product-design/pandanus-lounge-chair/>—Date unknown.
- AllSteel GetSet Chair—<http://www.product.allsteeloffice.com/allsteeloffice/products/seating/Get-Set/>—Date unknown.
- Charter Task Chair—[http://www.designerpages.com/search/products?c2%5Ball%5D%5B%5D=40288include%5B%5D=manufacturer&include%5P/o5D=category&include%5B%5D=default\\_image&p.=3&per\\_page=75&query%5B%5D=task+chairs&sort=products&user\\_ip=50.58.161.129](http://www.designerpages.com/search/products?c2%5Ball%5D%5B%5D=40288include%5B%5D=manufacturer&include%5P/o5D=category&include%5B%5D=default_image&p.=3&per_page=75&query%5B%5D=task+chairs&sort=products&user_ip=50.58.161.129)—Date unknown.
- Giorgetti Normal Chair—<http://www.spacefurniture.com.au/normal-chair.html>—Date unknown.
- Trea Chair—[http://www.humanscale.com/landing/Trea\\_Metropolis.cfm](http://www.humanscale.com/landing/Trea_Metropolis.cfm)—Humanscale—Earliest date believed to be mid-2011.
- Stephan Diez Houdini Chair—<http://www.dezeen.com/2009/05/14/houdini-chair-by-stefan-diez-for-e15/>—Date unknown.
- 4+ Office Chair—design4—[http://www.officeandcontract.com/html/sept09/hitguide\\_reddot.html](http://www.officeandcontract.com/html/sept09/hitguide_reddot.html)—Date unknown.
- Airplane Seat by Gavari Gerda—<http://www.coroflot.com/Gavari/Airplane-Seat>—Date unknown.
- Chair One Design—[http://www.coroflot.com/amvdesign/product-design?school\\_name=Huber+Institute+](http://www.coroflot.com/amvdesign/product-design?school_name=Huber+Institute+)—Date unknown.
- Orta Chair—<http://www.klun.si/en/dietiker/dietiker-chairs?art=345&stran=2>—Date unknown.
- Giroflex 434 Chair—<http://ipnoticstore.pl/oferta/meble-biurowe/giroflex/giroflex-434-7018>—Date unknown.
- Topstar Sitness Chair—<http://www.wayfair.co.uk/Topstar-Sitness-Swivel-Chair-with-Mesh-Cover-in-Red-ST19U-G21E-TSR1103.html>—Date unknown.
- Synchronet Deluxe Chair—[http://www.rosiercommercialfurniture.com.au/Seating/Mesh\\_chairs/SYNCNET-DELW/Synchronet-deluxe-ergonomic-chair-with-arms-white-leather.html](http://www.rosiercommercialfurniture.com.au/Seating/Mesh_chairs/SYNCNET-DELW/Synchronet-deluxe-ergonomic-chair-with-arms-white-leather.html)—Date unknown.
- Merax Mesh Office Chair—<http://www.meritline.com/merax-h-9666f-1c-mesh-chrome-base-office-chairs-black---p-61106.aspx>—Date unknown.
- Lazy Chair Design—<http://designholeonline.com/2008/chair-of-the-day-lazy-05-from-bb-italia/>—Date unknown.
- Dauphine Take Over Chair—<http://www.apresfurniture.co.uk/take-over-office-chairs.html>—Date unknown.
- Global Metrus Chair—<http://www.bluehen.com/global-metrus-chair-p-411.html>—Date unknown.
- Geiger Saya Chair—[http://www.interiordesign.net/newproducts/11327-Geiger\\_International\\_Saya.php](http://www.interiordesign.net/newproducts/11327-Geiger_International_Saya.php)—Date unknown.

(56)

**References Cited**

OTHER PUBLICATIONS

Haworth Tag Chair—<http://store.kayhan.com/Improv-Tag-Desk-Seating-F235-2042-Mesh-Back-Chair-p/f235-2042.htm>—Date unknown.  
Emu Cross Chair—<http://www.houzz.com/photos/155210/Emu-Cross-Arm-Chair-by-Coalesse-contemporary-outdoorchairs>—Date unknown.

Vitra Scape Chair—<http://www.archiproducts.com/en/products/26191/skape-leather-executive-chair-skape-lowbackvitra.html>—Date unknown.

Recaro Ex II Chair—[http://www.racechairs.com/Recaro\\_EXII\\_p/rec012.htm](http://www.racechairs.com/Recaro_EXII_p/rec012.htm)—Date unknown.

Bruno Office Chair—<http://www.scandex.us/bruno/default.aspx>—Date unknown.

\* cited by examiner

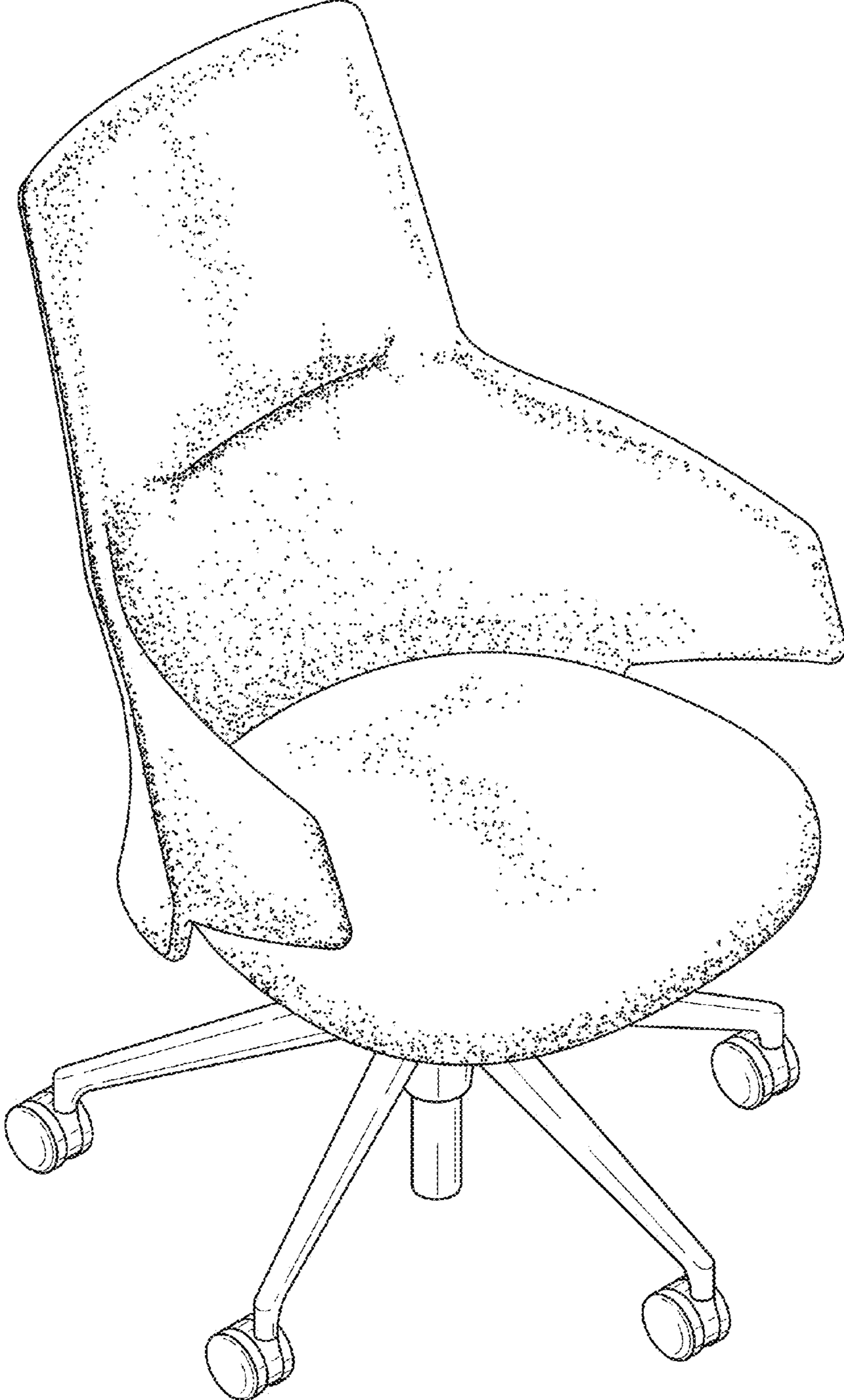


FIG. 1

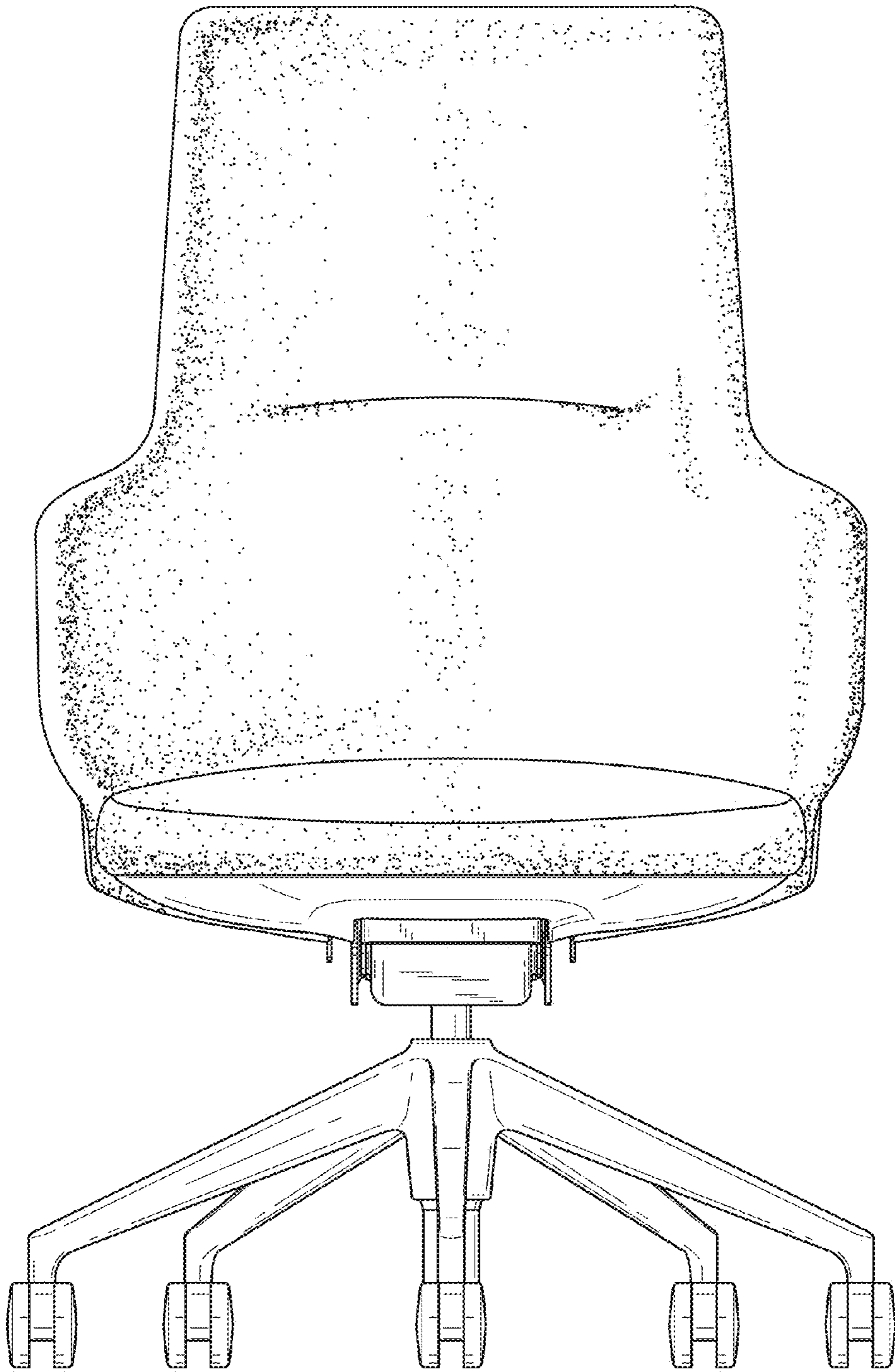


FIG. 2

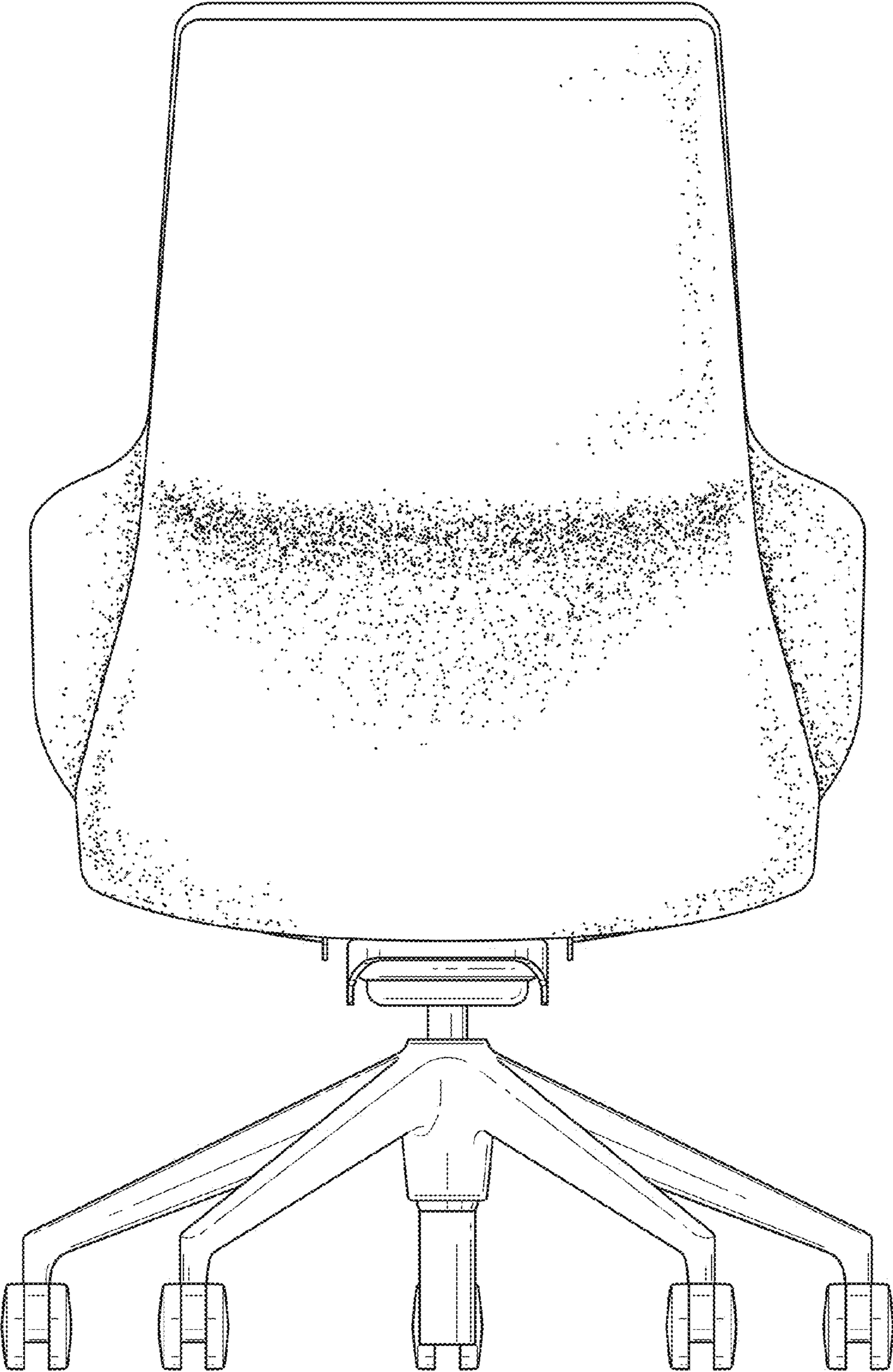


FIG. 3

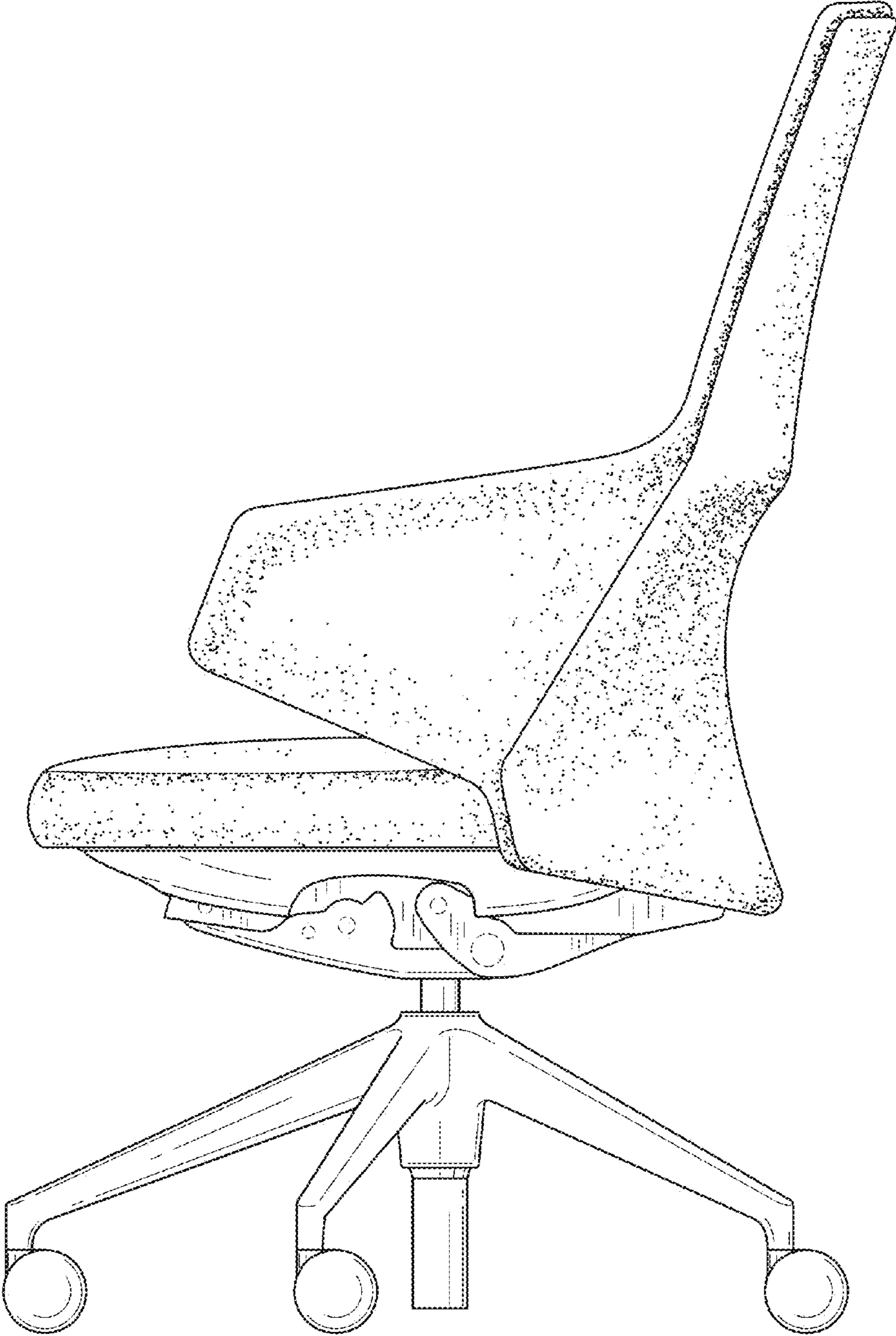


FIG. 4



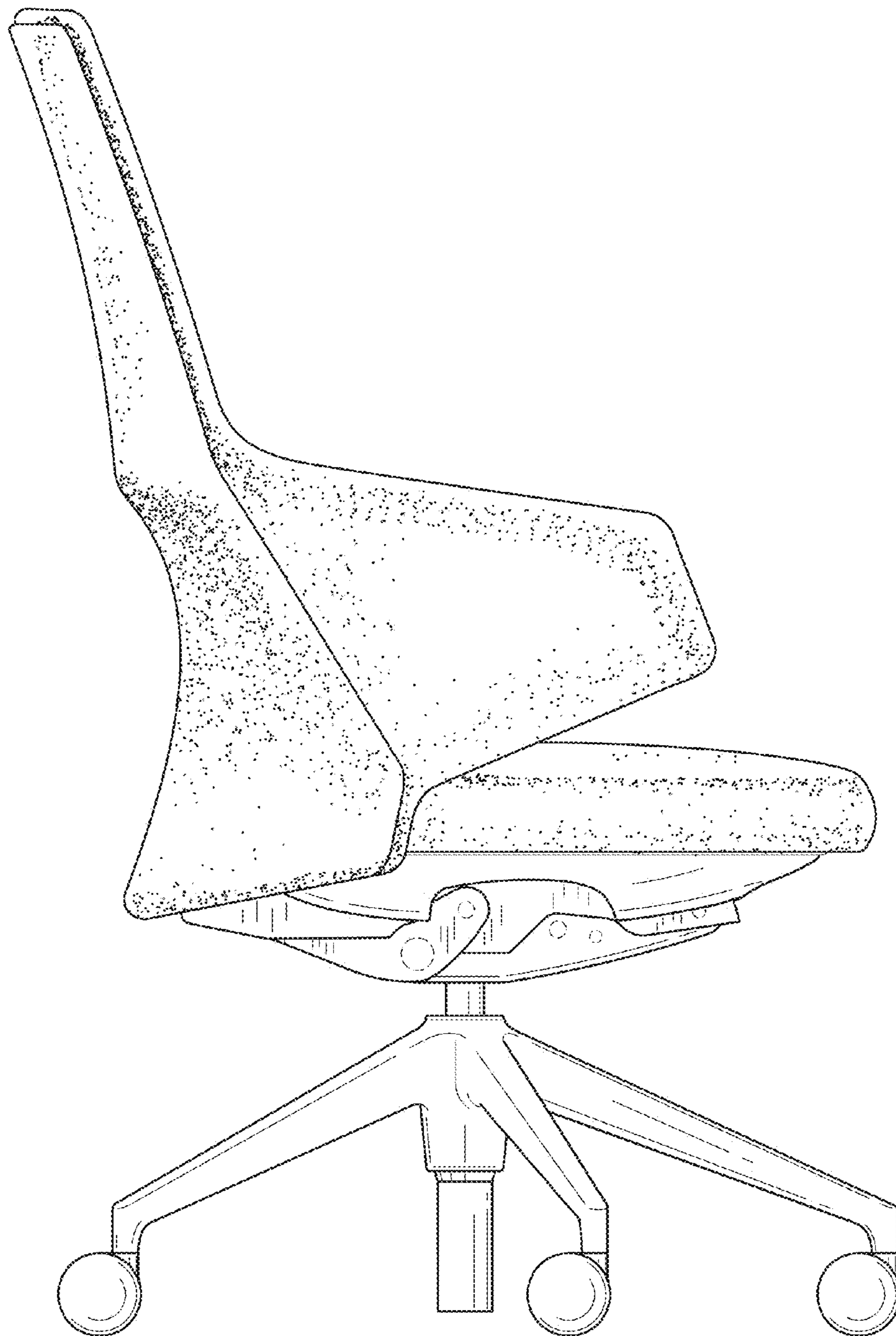


FIG. 5

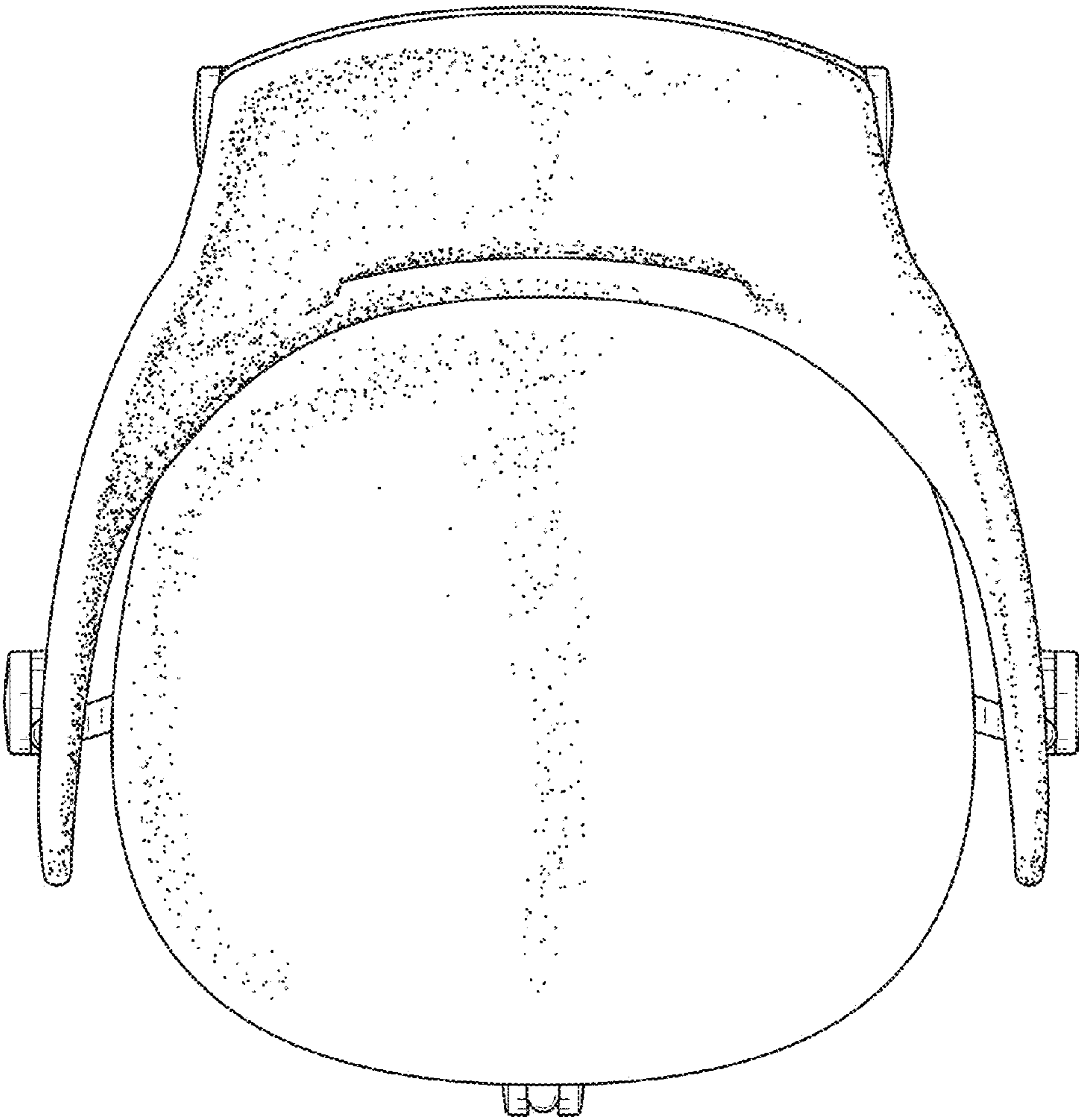


FIG. 6

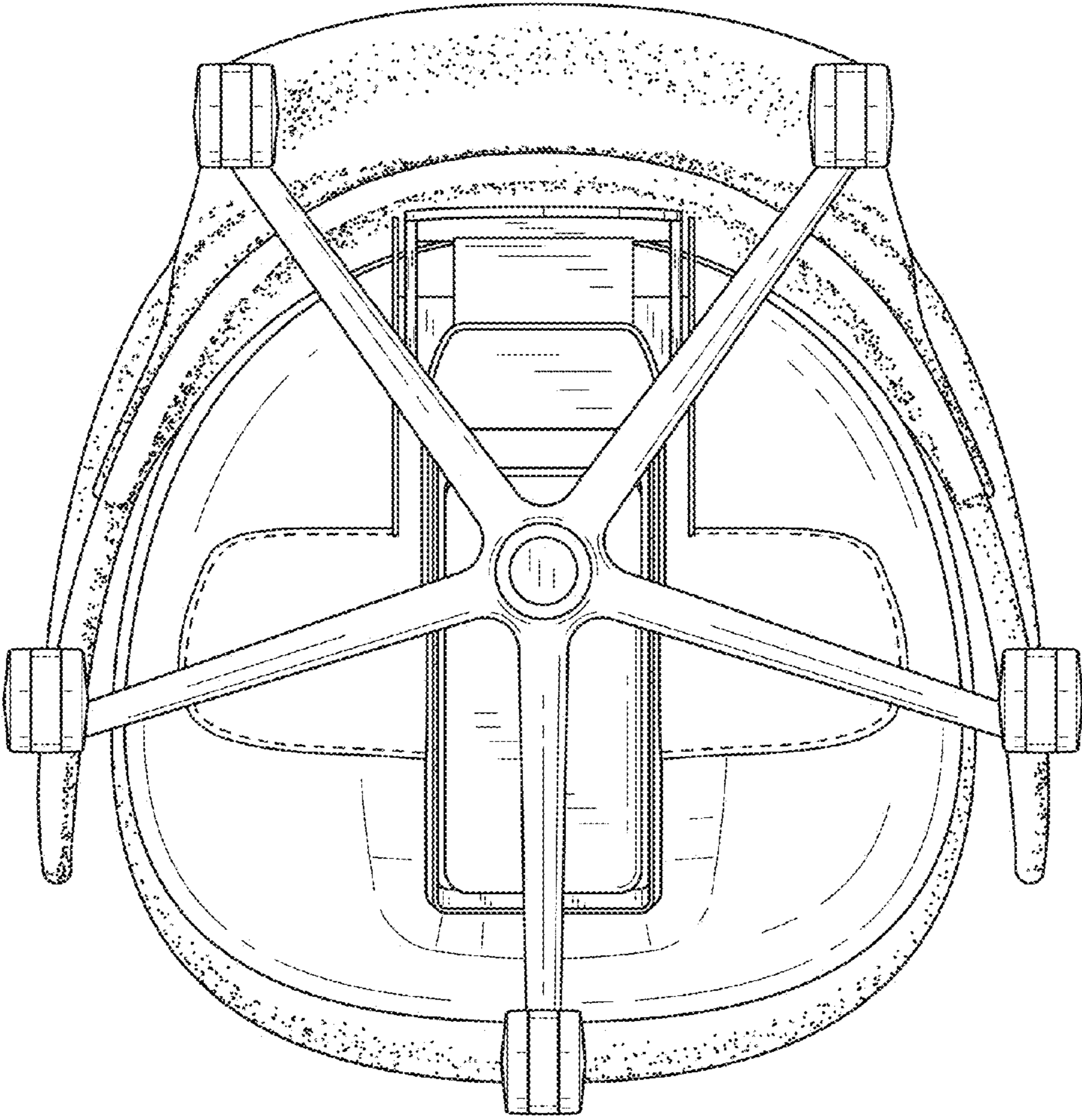


FIG. 7