



US00D704944S

(12) **United States Design Patent**  
**Koepke et al.**

(10) **Patent No.:** **US D704,944 S**

(45) **Date of Patent:** **\*\* May 20, 2014**

(54) **CHAIR**

(71) Applicant: **HNI Technologies Inc.**, Muscatine, IA  
(US)

(72) Inventors: **Marcus C. Koepke**, Indianapolis, IN  
(US); **Travis J. Crowell**, Davenport, IA  
(US)

(73) Assignee: **HNI Technologies Inc.**, Muscatine, IA  
(US)

(\*\*) Term: **14 Years**

(21) Appl. No.: **29/451,749**

(22) Filed: **Apr. 8, 2013**

(51) **LOC (10) Cl.** ..... **06-01**

(52) **U.S. Cl.**  
USPC ..... **D6/366**

(58) **Field of Classification Search**  
USPC ..... D6/334–336, 364, 365, 366, 367, 374,  
D6/376, 379, 380, 716, 716.1, 716.2,  
D6/716.3, 716.4; 297/411.27, 452.21,  
297/452.24, 452.26, 452.29, 452.3, 452.35,  
297/452.48

See application file for complete search history.

(56) **References Cited**

U.S. PATENT DOCUMENTS

D401,771 S *	12/1998	Goodworth et al. ....	D6/366
D567,523 S *	4/2008	Hara .....	D6/366
D607,653 S *	1/2010	Wilkinson et al. ....	D6/366
D656,752 S *	4/2012	Moll .....	D6/366
D687,641 S *	8/2013	Barrell .....	D6/366
D688,483 S *	8/2013	Aratani .....	D6/366

\* cited by examiner

*Primary Examiner* — Mimoso De

(74) *Attorney, Agent, or Firm* — Faegre Baker Daniels LLP

(57) **CLAIM**

The ornamental design for a chair, as shown and described.

**DESCRIPTION**

FIG. 1 is an isometric view of a chair from a first, top perspective;  
FIG. 2 is an isometric view thereof from a second, bottom perspective.  
FIG. 3 is a front view thereof;  
FIG. 4 is a back view thereof;  
FIG. 5 is a right side view thereof, with a left side view being an identical, mirror image of the right side view;  
FIG. 6 is a top view thereof; and,  
FIG. 7 is a bottom view thereof.

**1 Claim, 7 Drawing Sheets**

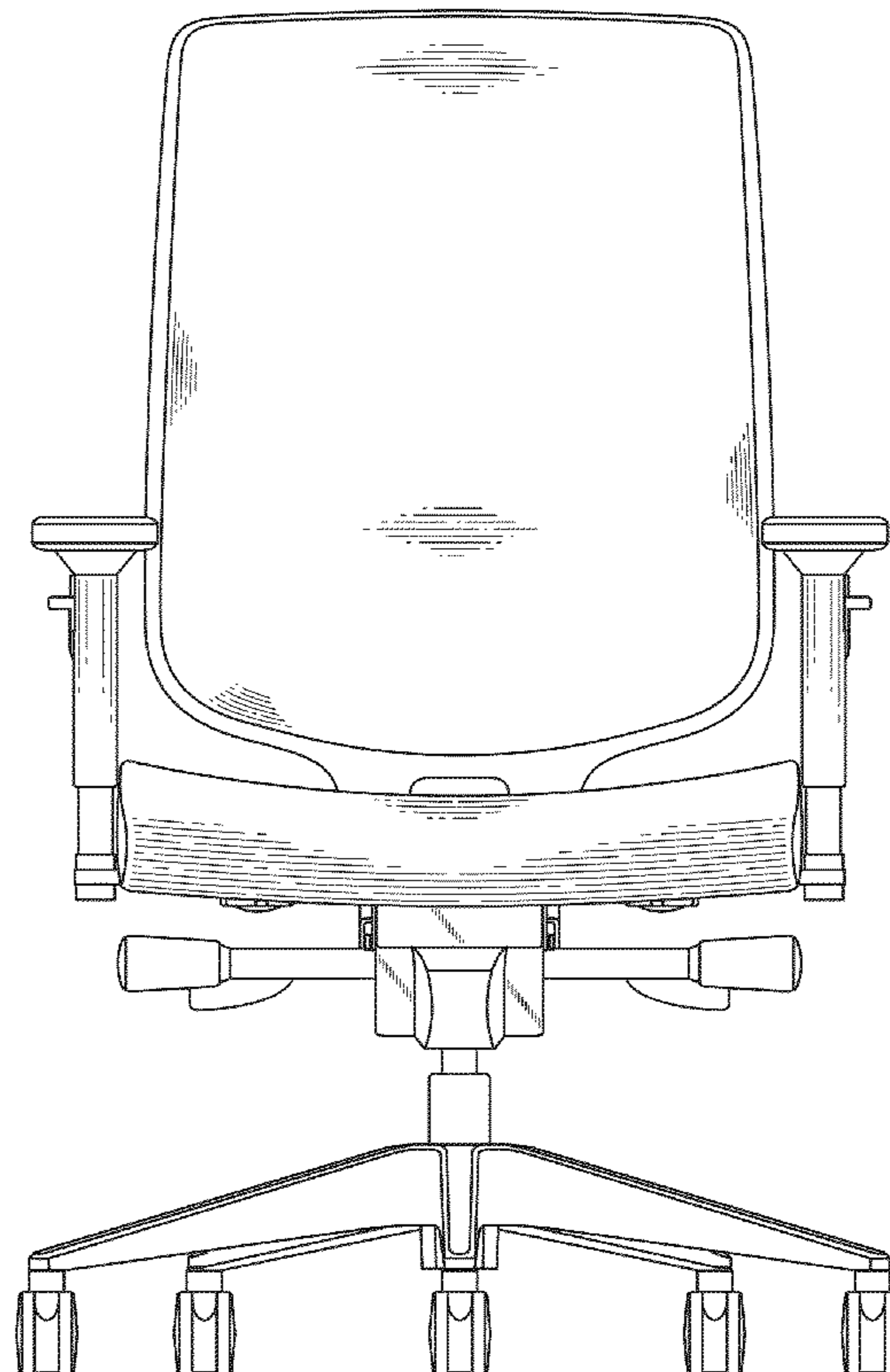


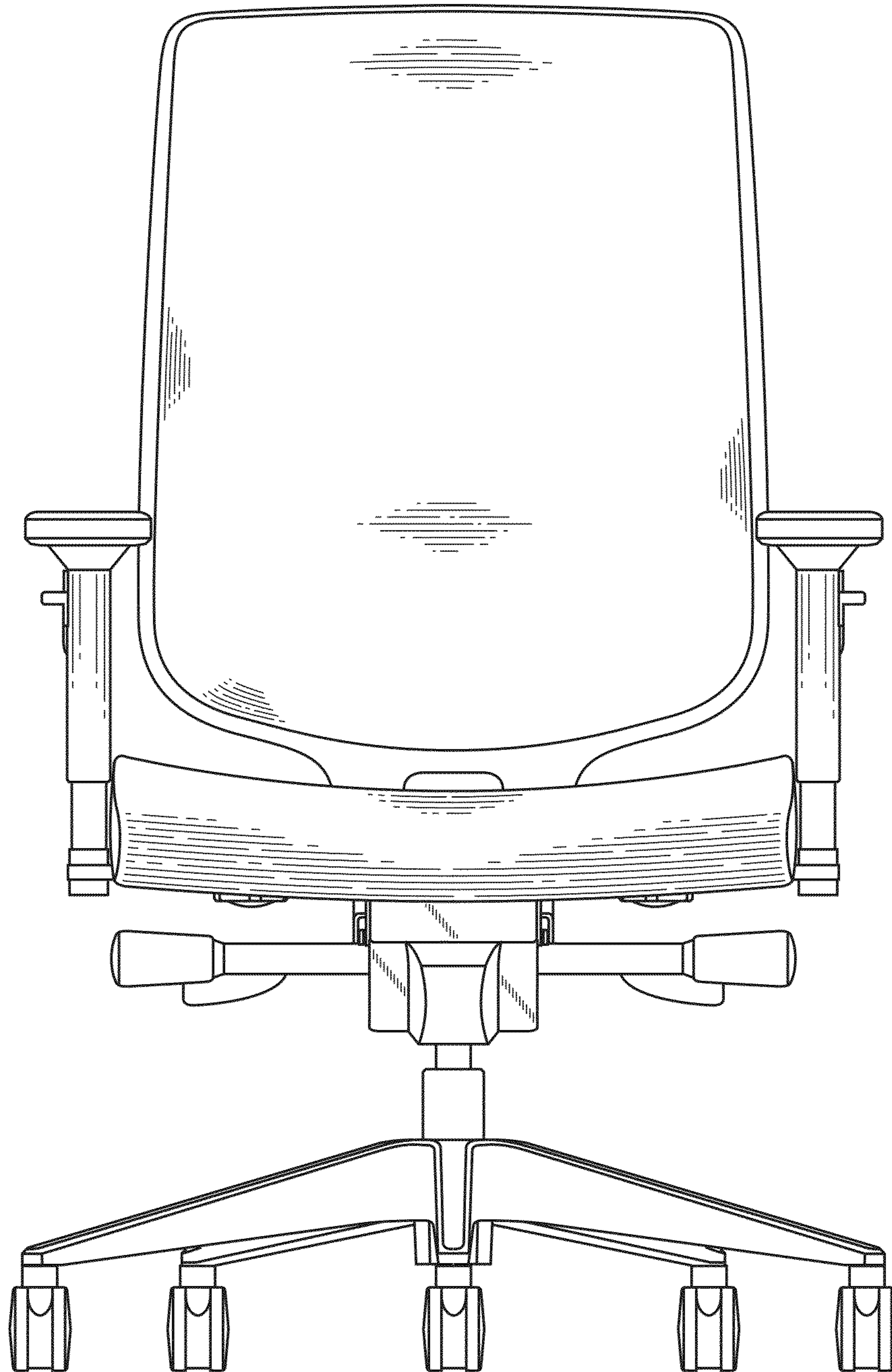


FIG. 1



FIG. 2





**FIG. 3**

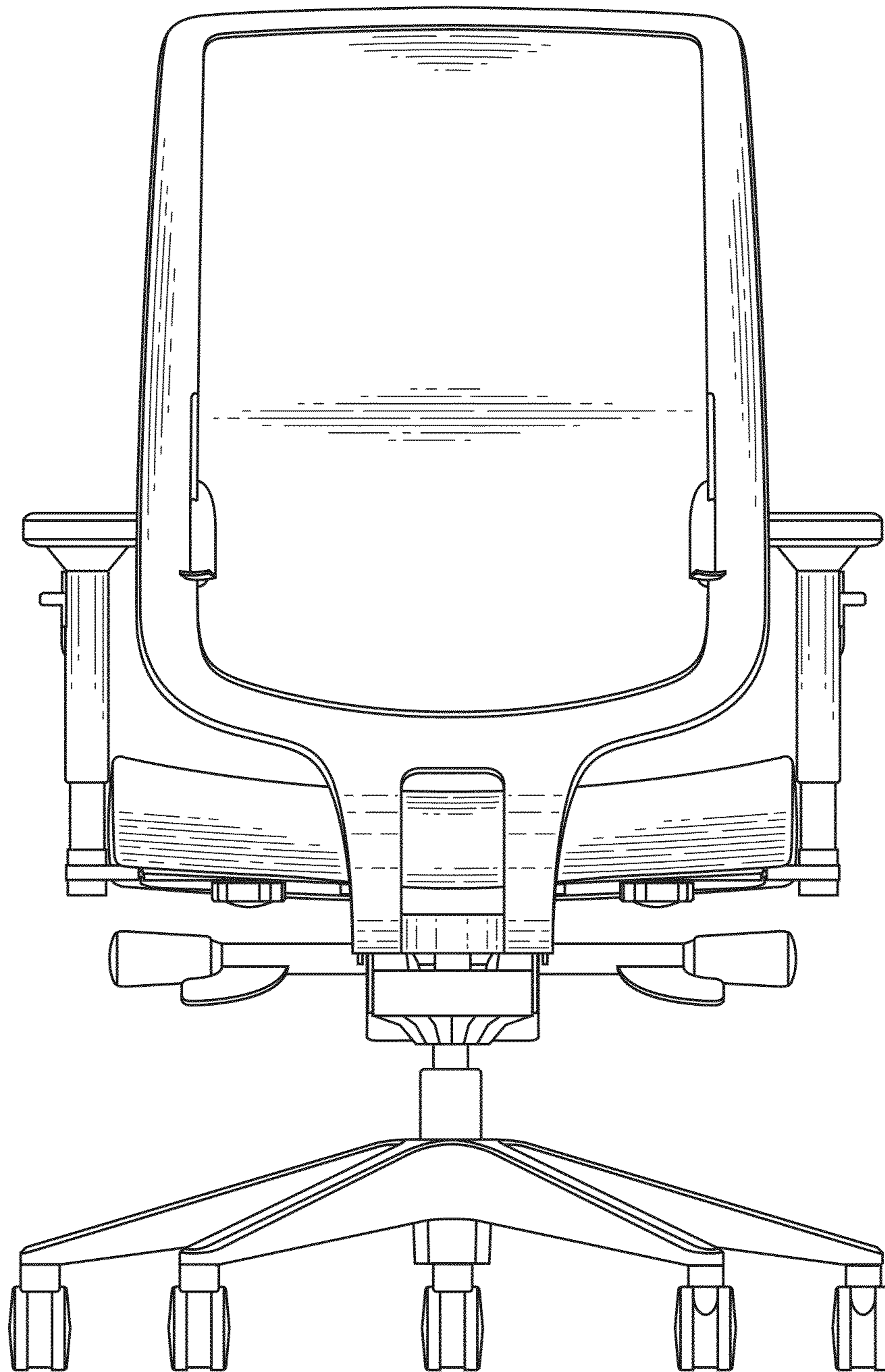


FIG. 4

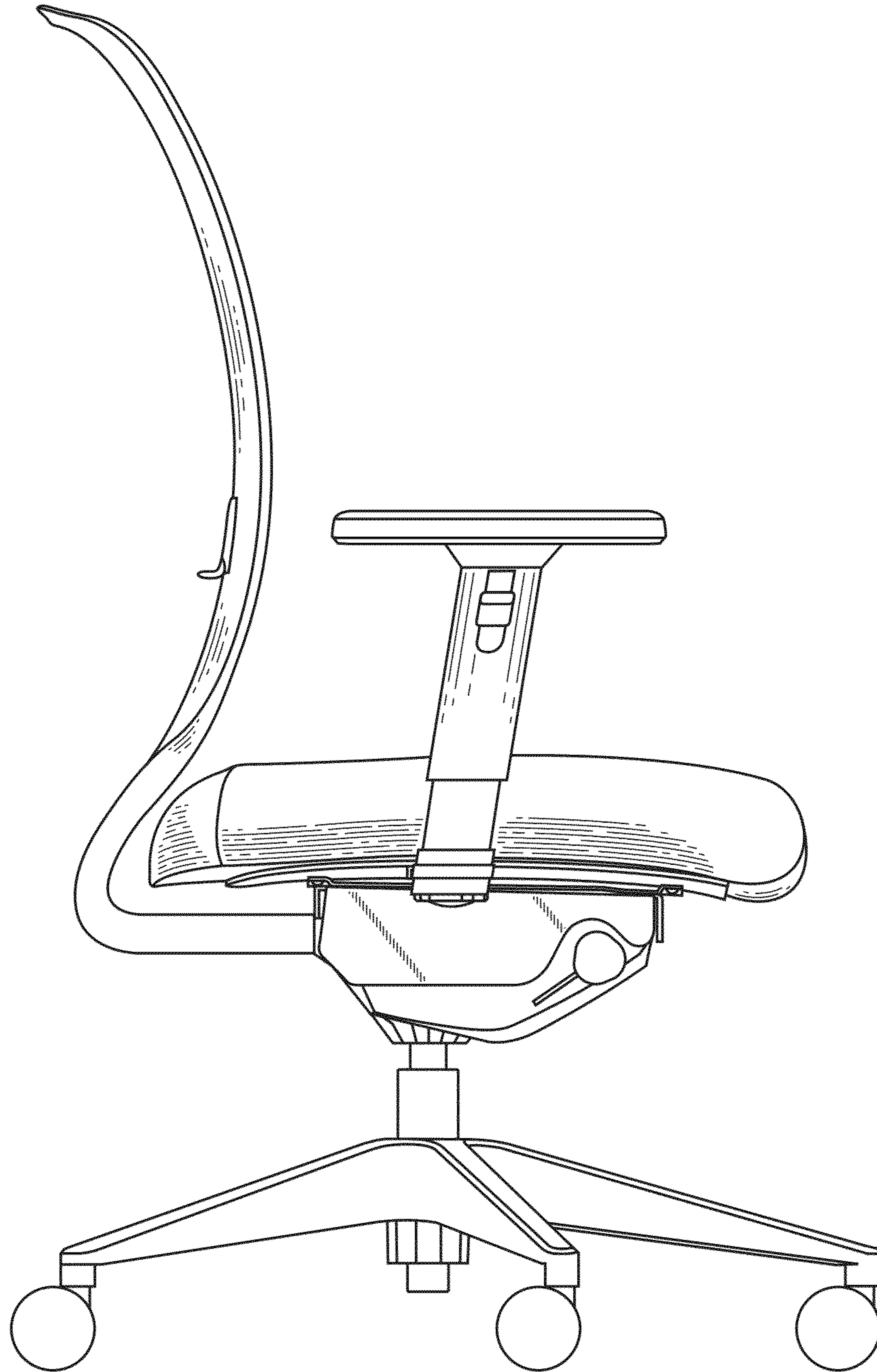


FIG. 5

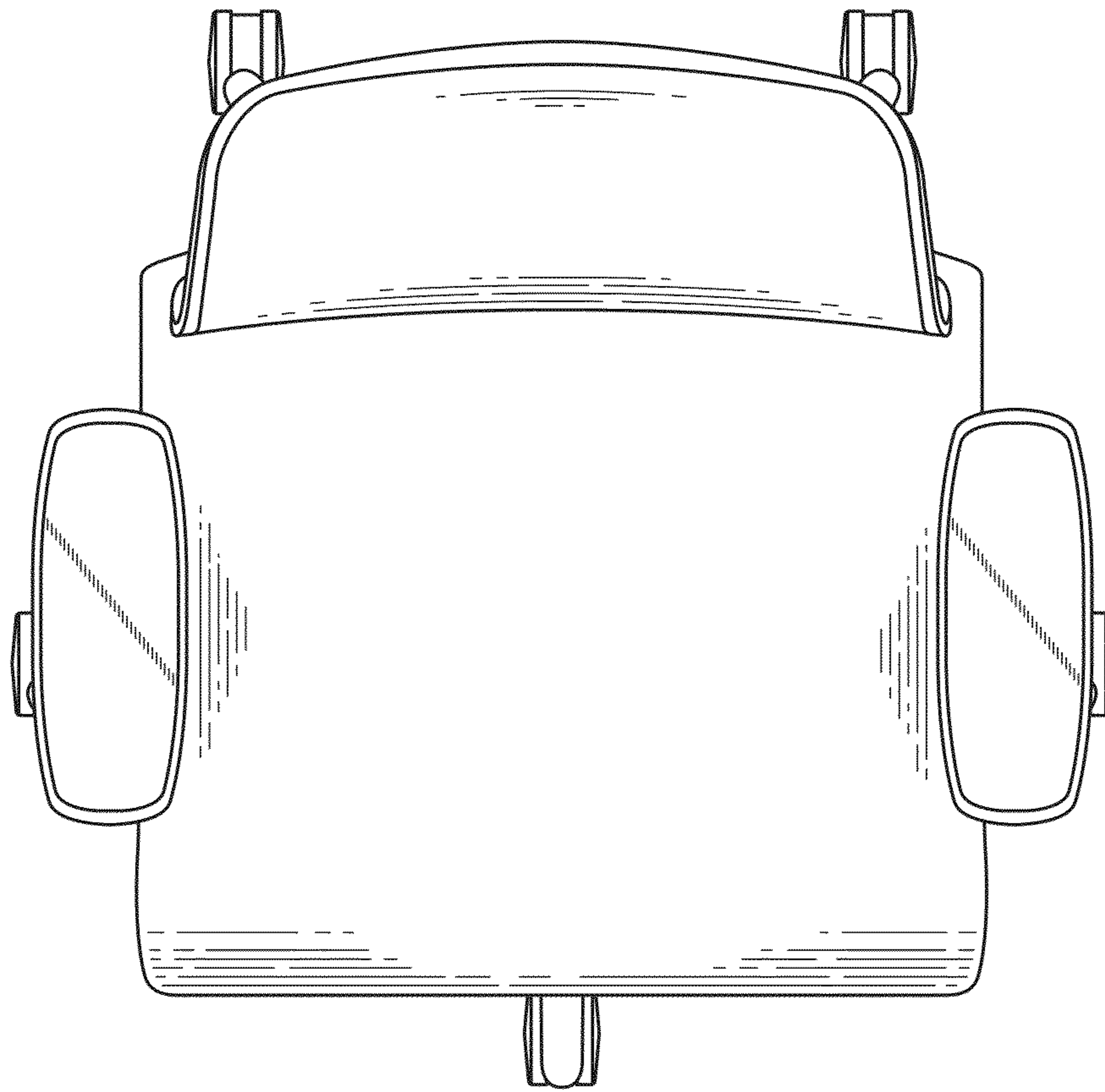


FIG. 6



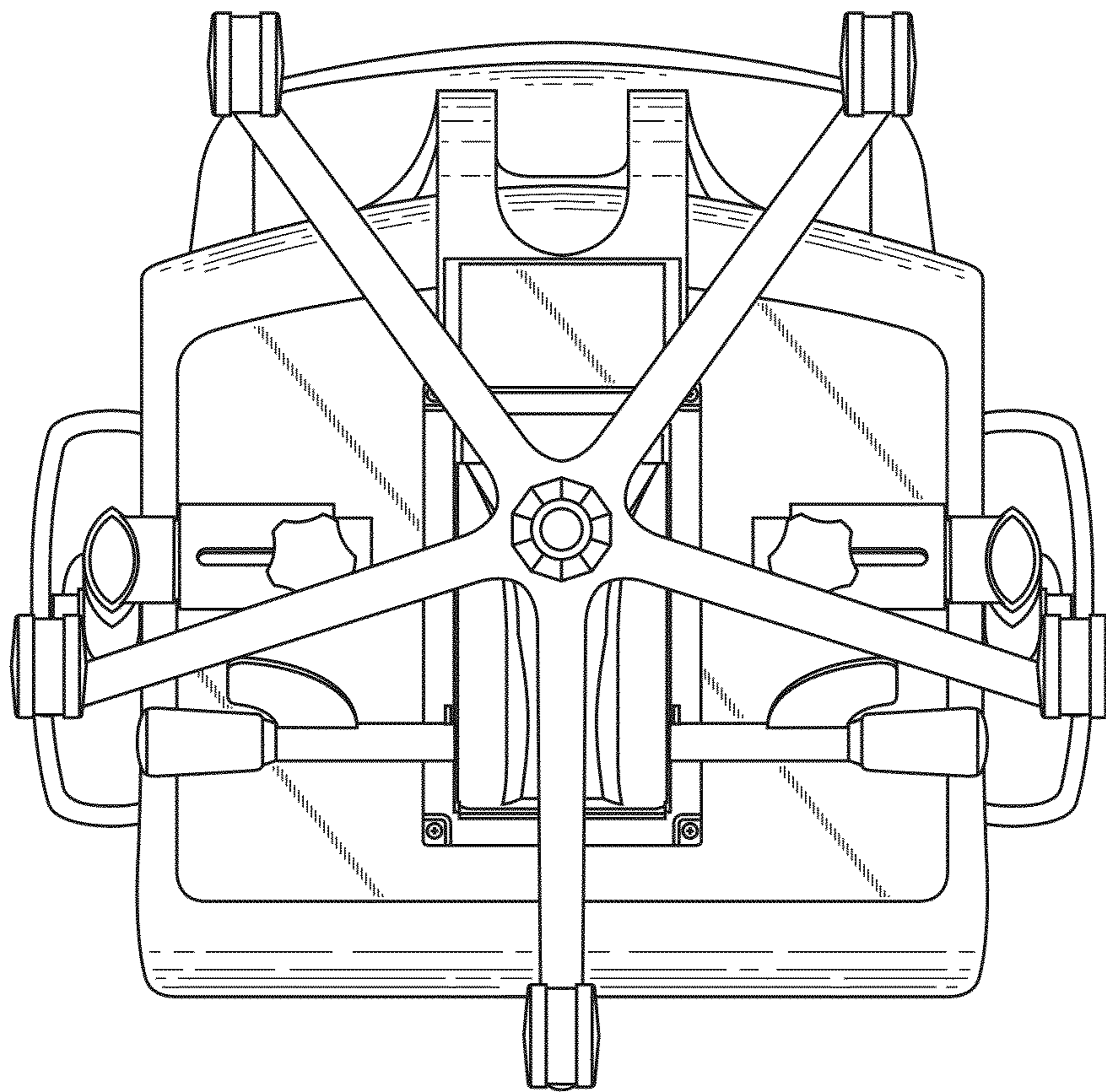


FIG. 7