



US00D704943S

(12) **United States Design Patent**
Saba

(10) **Patent No.:** **US D704,943 S**

(45) **Date of Patent:** **** May 20, 2014**

(54) **BENCH/SHELF UNIT**

(71) Applicant: **Walid Antoine Saba**, Dearborn, MI
(US)

(72) Inventor: **Walid Antoine Saba**, Dearborn, MI
(US)

(73) Assignee: **Chrysler Group LLC**, Auburn Hills, MI
(US)

(**) Term: **14 Years**

(21) Appl. No.: **29/472,232**

(22) Filed: **Nov. 11, 2013**

(51) **LOC (10) CI.** **06-01**

(52) **U.S. Cl.**
USPC **D6/349**

(58) **Field of Classification Search**

CPC A47C 3/18-3/20; A47C 5/02; A47C 9/00;
A47C 11/00; A47C 13/00; A47C 9/06;
A47C 7/16

USPC D6/330, 337, 341, 346, 349-355, 357,
D6/362, 364-373, 376, 377, 381, 645, 656,
D6/658, 665, 674, 675.1, 675.5, 676,
D6/685-692, 694, 704, 705, 707, 707.19,
D6/708, 716.1-716.6, 717, 717.2;
297/423.12, 423.13, 423.37, 461, 462,
297/115, 116, 135, 160-162

See application file for complete search history.

(56) **References Cited**

U.S. PATENT DOCUMENTS

D200,466 S * 3/1965 Eby D6/349
D263,523 S * 3/1982 Kinnebrew, IV D6/349

D361,453 S * 8/1995 Sussman D6/474
D415,371 S * 10/1999 Lewis D6/480
D441,204 S * 5/2001 Bernich D6/334
D524,563 S * 7/2006 Conway D6/349
D527,558 S * 9/2006 Ng et al. D6/511
D551,468 S * 9/2007 Hoglan et al. D6/479
D575,558 S * 8/2008 Garzon D6/480
D604,962 S * 12/2009 Daud D6/477
D651,826 S * 1/2012 Tseng et al. D6/477

* cited by examiner

Primary Examiner — Susan Bennett Hattan

Assistant Examiner — Vy Koenig

(74) *Attorney, Agent, or Firm* — Ralph E Smith

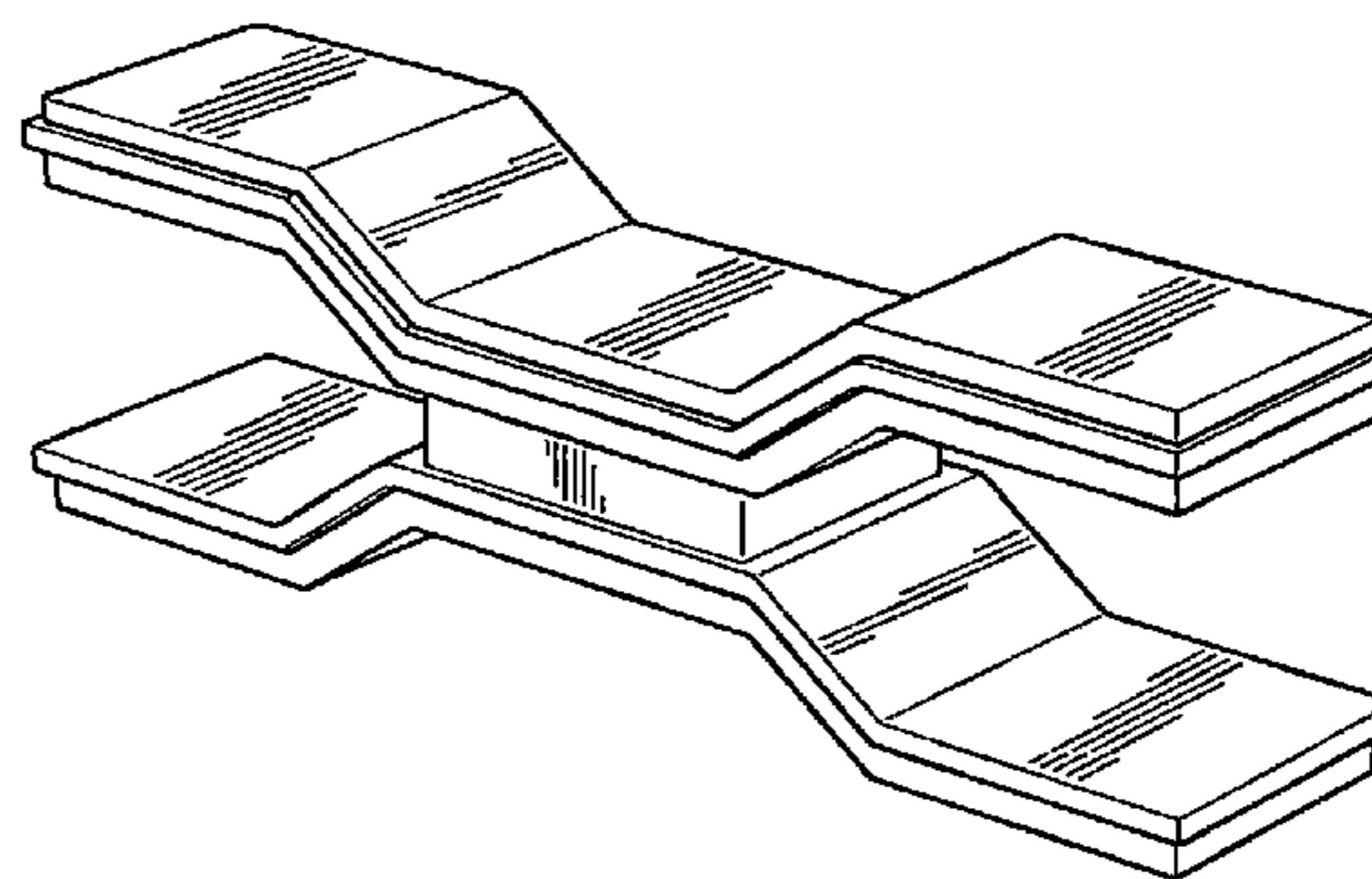
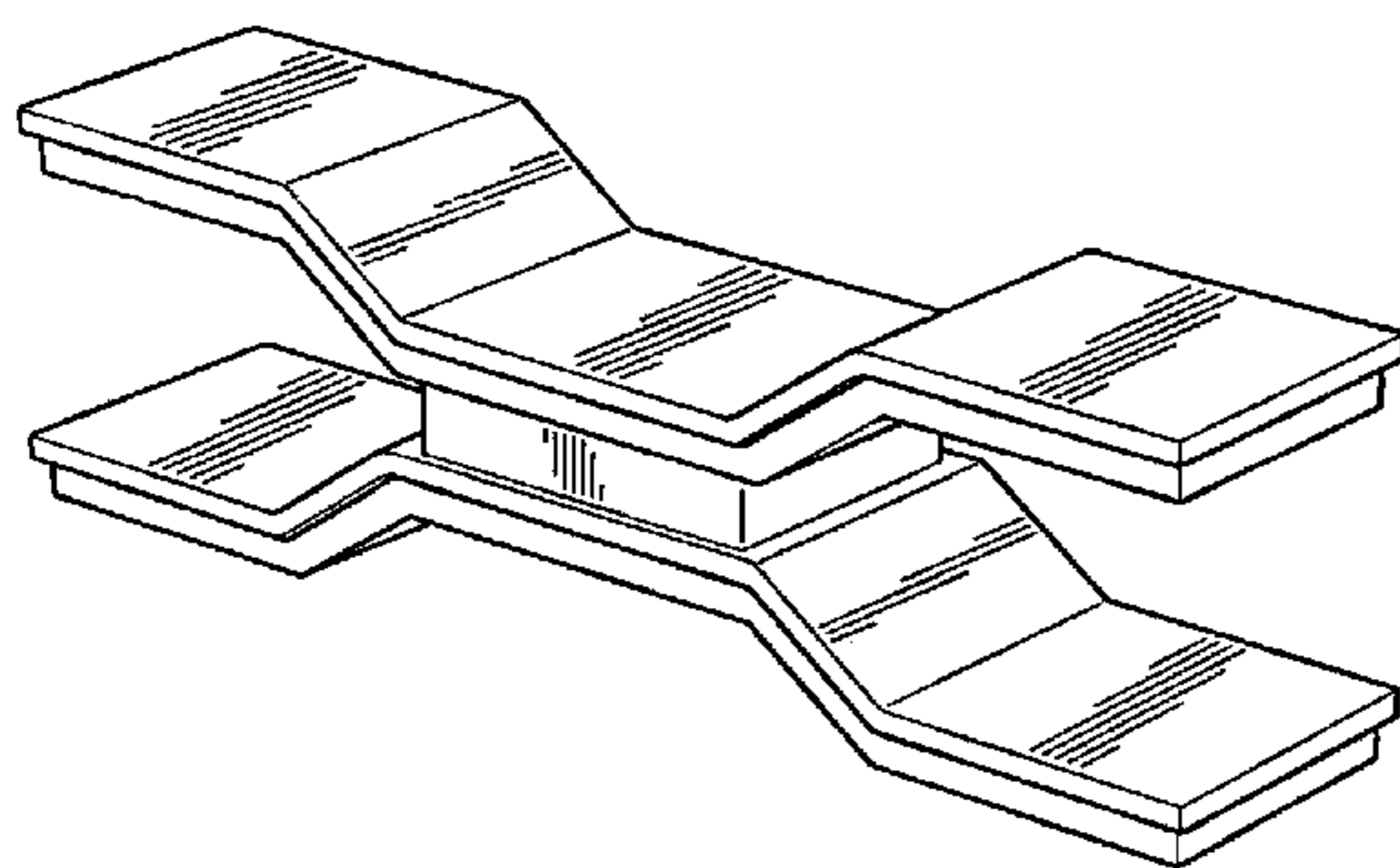
(57) **CLAIM**

The ornamental design for a bench/shelf unit, as shown and described.

DESCRIPTION

FIG. 1 is a front perspective view of a bench/shelf unit showing my new design;
FIG. 2 is a top view thereof;
FIG. 3 is a side plan view thereof;
FIG. 4 is a side view thereof;
FIG. 5 is a front perspective view of a second embodiment of a bench/shelf unit showing my new design with a seat cushion;
FIG. 6 is a top view the embodiment of FIG. 5;
FIG. 7 is a side plan view of the embodiment of FIG. 5; and,
FIG. 8 is a side view of the embodiment of FIG. 5.

1 Claim, 2 Drawing Sheets



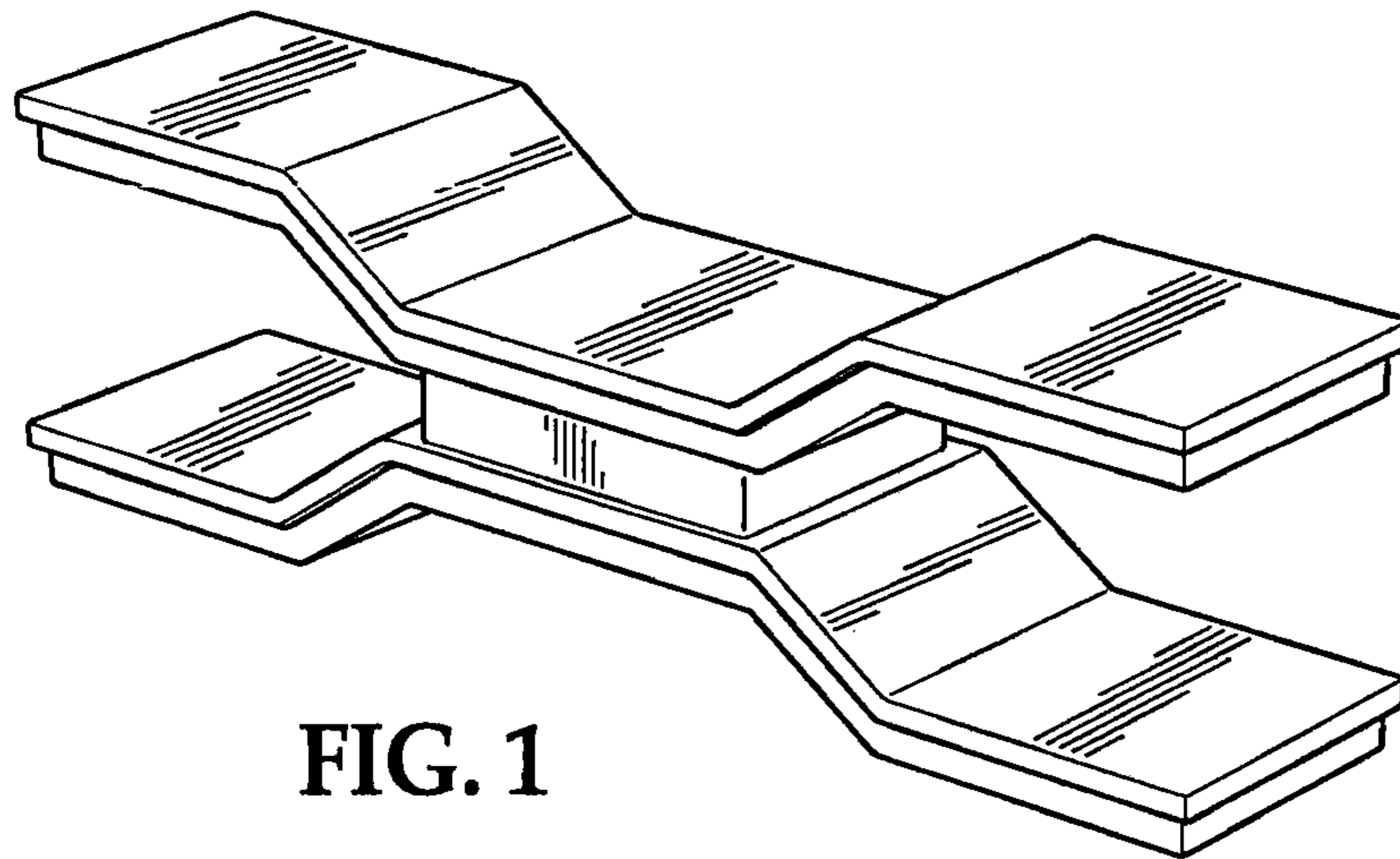


FIG. 1

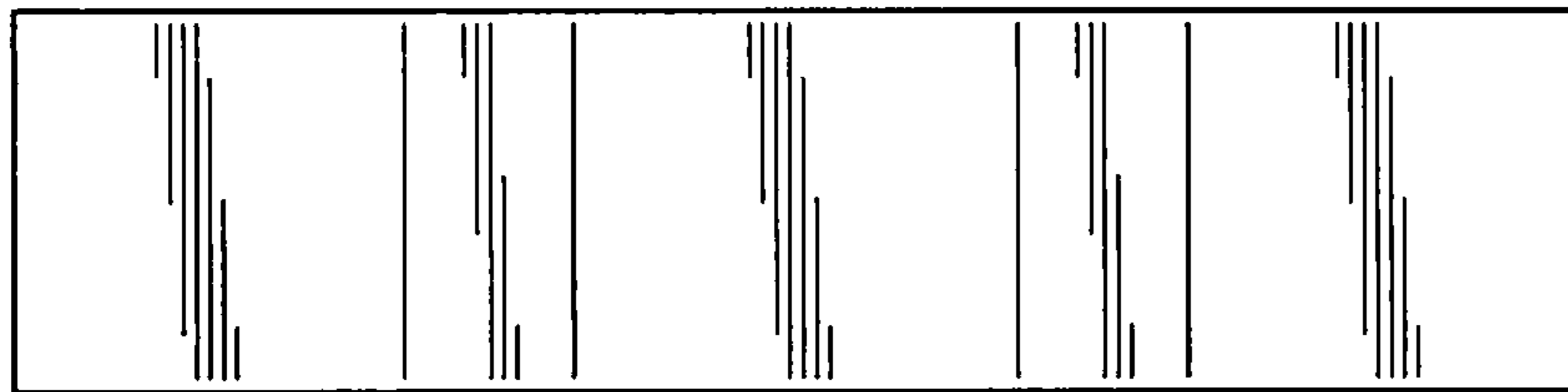


FIG. 2

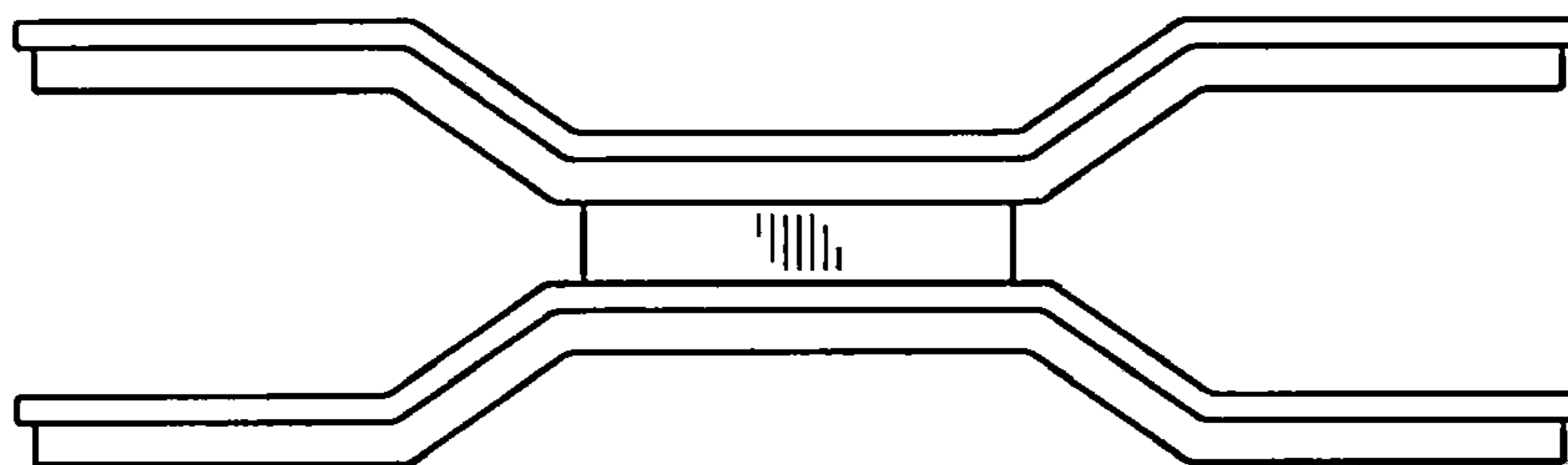


FIG. 3

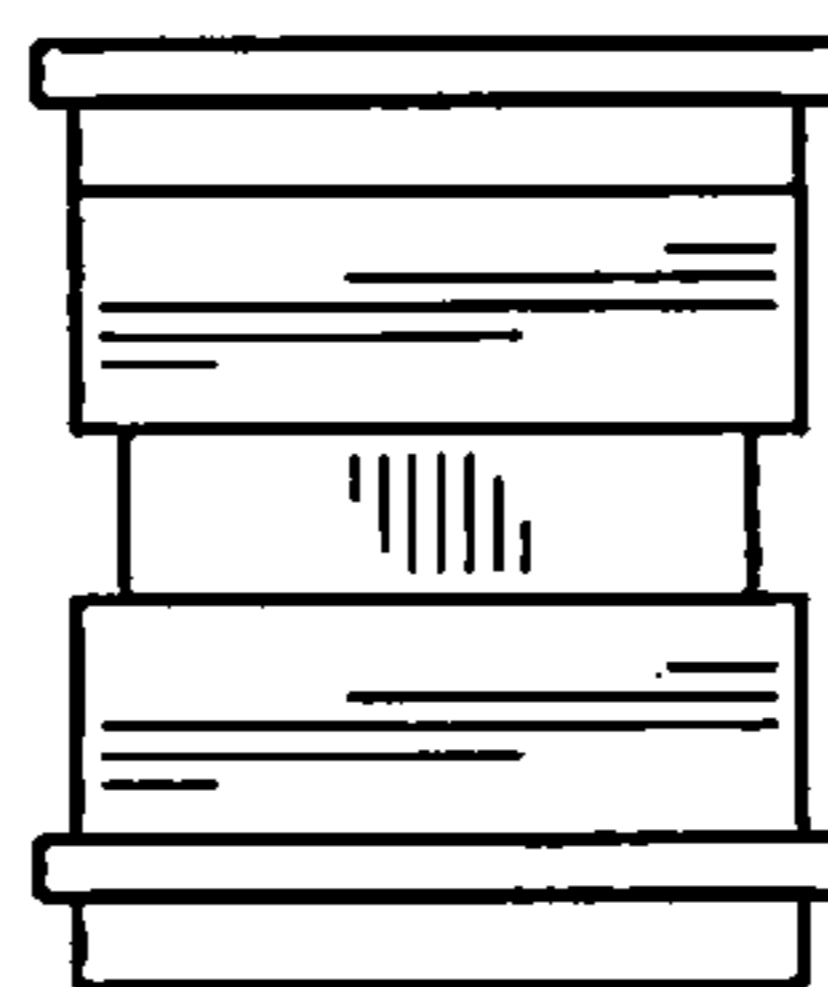


FIG. 4

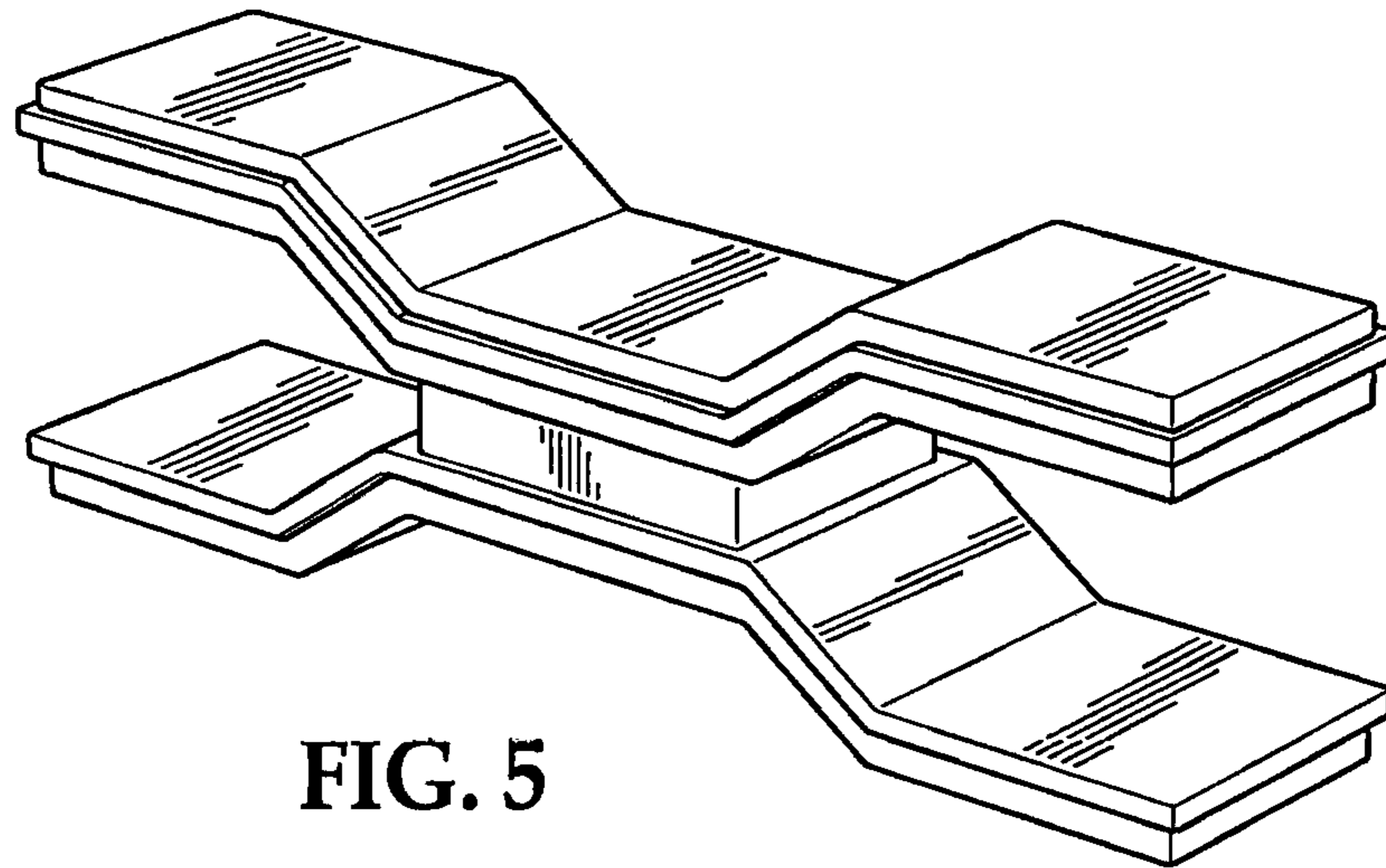


FIG. 5

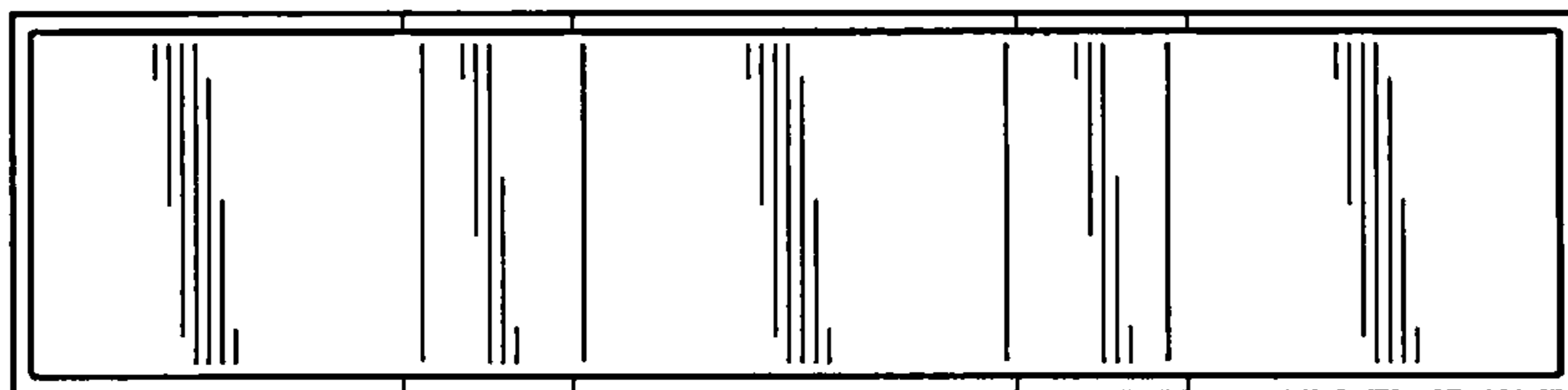


FIG. 6

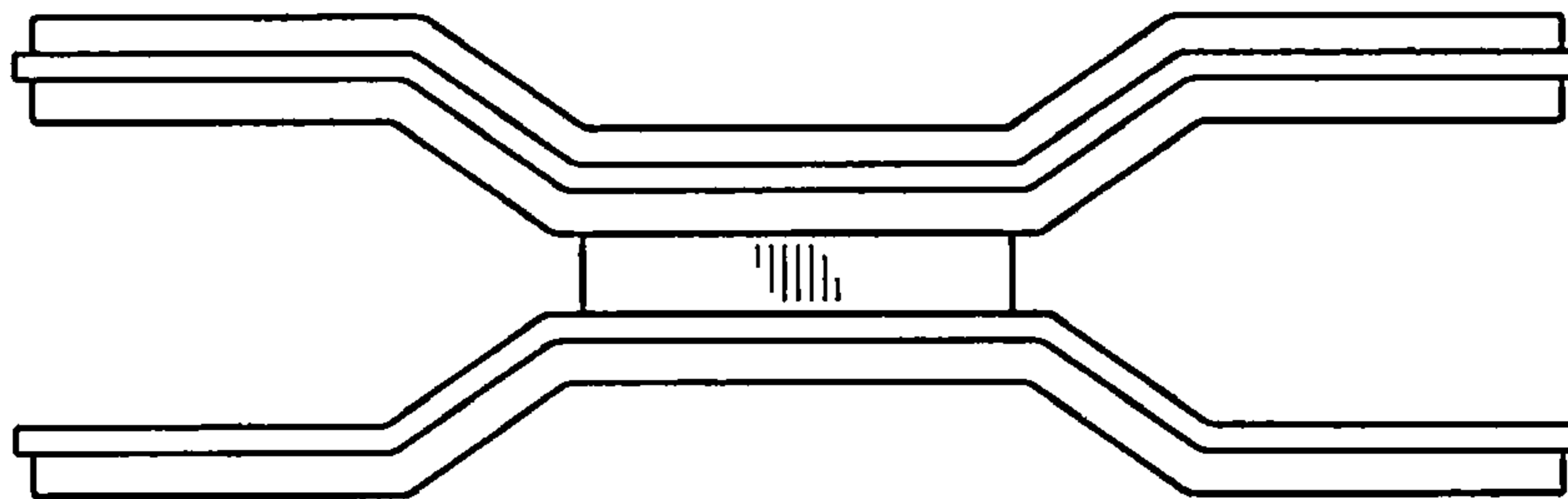


FIG. 7

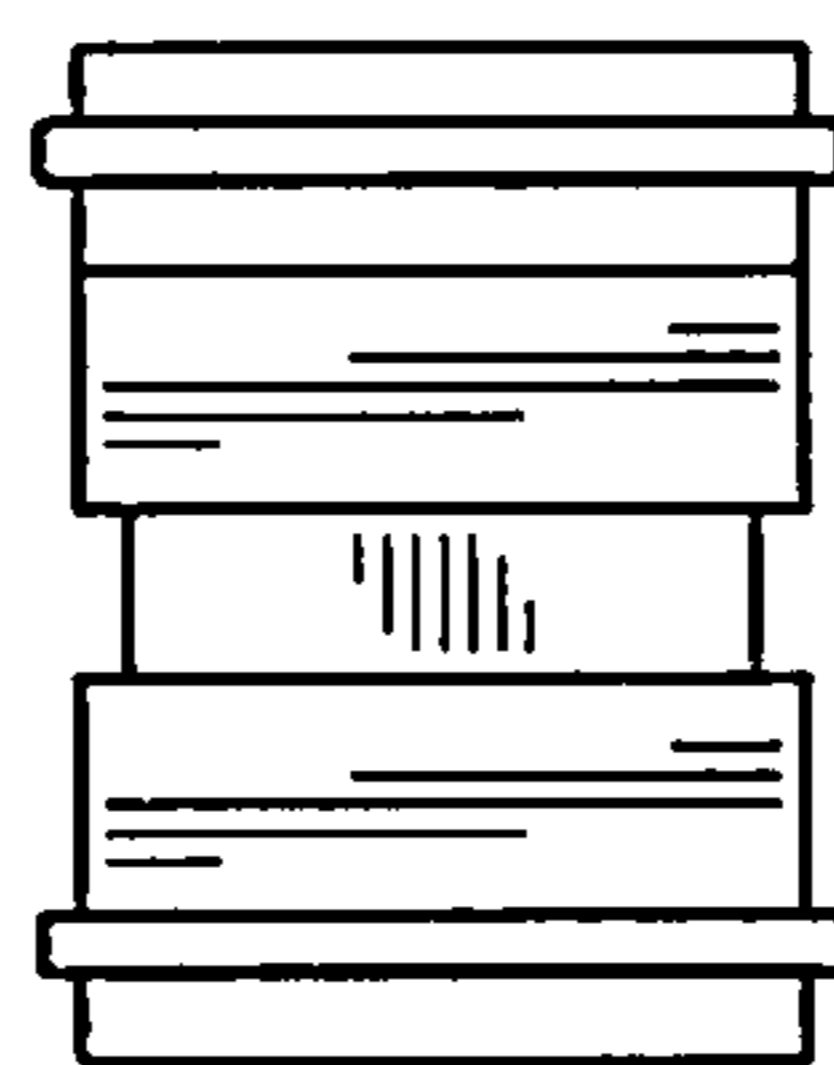


FIG. 8