



US00D704941S

(12) **United States Design Patent**
Anderson et al.

(10) **Patent No.:** **US D704,941 S**

(45) **Date of Patent:** **** May 20, 2014**

(54) **BENCH**

(71) Applicant: **Hoffco Incorporated**, Omaha, NE (US)

(72) Inventors: **Marshall Anderson**, Granite Falls, MN (US); **Tim Breidenbach**, Redwood Falls, MN (US); **Lou Hagen**, Echo, MN (US); **Troy Shew**, Council Bluffs, IA (US); **Robb Sneller**, Granite Falls, MN (US); **Jason Wing**, Wood Lake, MN (US)

(73) Assignee: **HOFFCO Incorporated**, Omaha, NE (US)

(**) Term: **14 Years**

(21) Appl. No.: **29/449,266**

(22) Filed: **Mar. 14, 2013**

(51) **LOC (10) Cl.** **06-01**

(52) **U.S. Cl.**
USPC **D6/349**

(58) **Field of Classification Search**
USPC D6/330, 337, 341, 346, 349-355, 357, D6/362, 364-373, 376, 377, 381, 645, 656, D6/658, 665, 674, 675.5, 676, 685-692, D6/694, 704, 705, 707, 707.19, 708, D6/716.1-716.6, 717, 717.2; 297/423.12, 297/423.13, 423.37, 461, 462, 115, 116, 297/135, 160-162

See application file for complete search history.

(56) **References Cited**

U.S. PATENT DOCUMENTS

D206,170 S * 11/1966 Anderson et al. D6/495
D213,496 S * 3/1969 Wormser D6/349
D215,430 S * 9/1969 Suzuki D6/349

D296,961 S * 8/1988 Norton D6/370
D303,877 S * 10/1989 Norton D6/349
D357,364 S * 4/1995 Dionne et al. D6/368
D398,453 S * 9/1998 Stead D6/349
D482,878 S * 12/2003 Arendt et al. D6/349
D482,879 S * 12/2003 Arendt et al. D6/349
D530,548 S * 10/2006 McCurry D6/500
D555,919 S * 11/2007 Baade et al. D6/349

OTHER PUBLICATIONS

Manbench® 8. [online] Retrieved Jan. 9, 2014 from URL: <http://manbench.mybigcommerce.com/manbench-8/>.*

* cited by examiner

Primary Examiner — Susan Bennett Hattan

Assistant Examiner — Vy Koenig

(74) *Attorney, Agent, or Firm* — Suiter Swantz pc llo

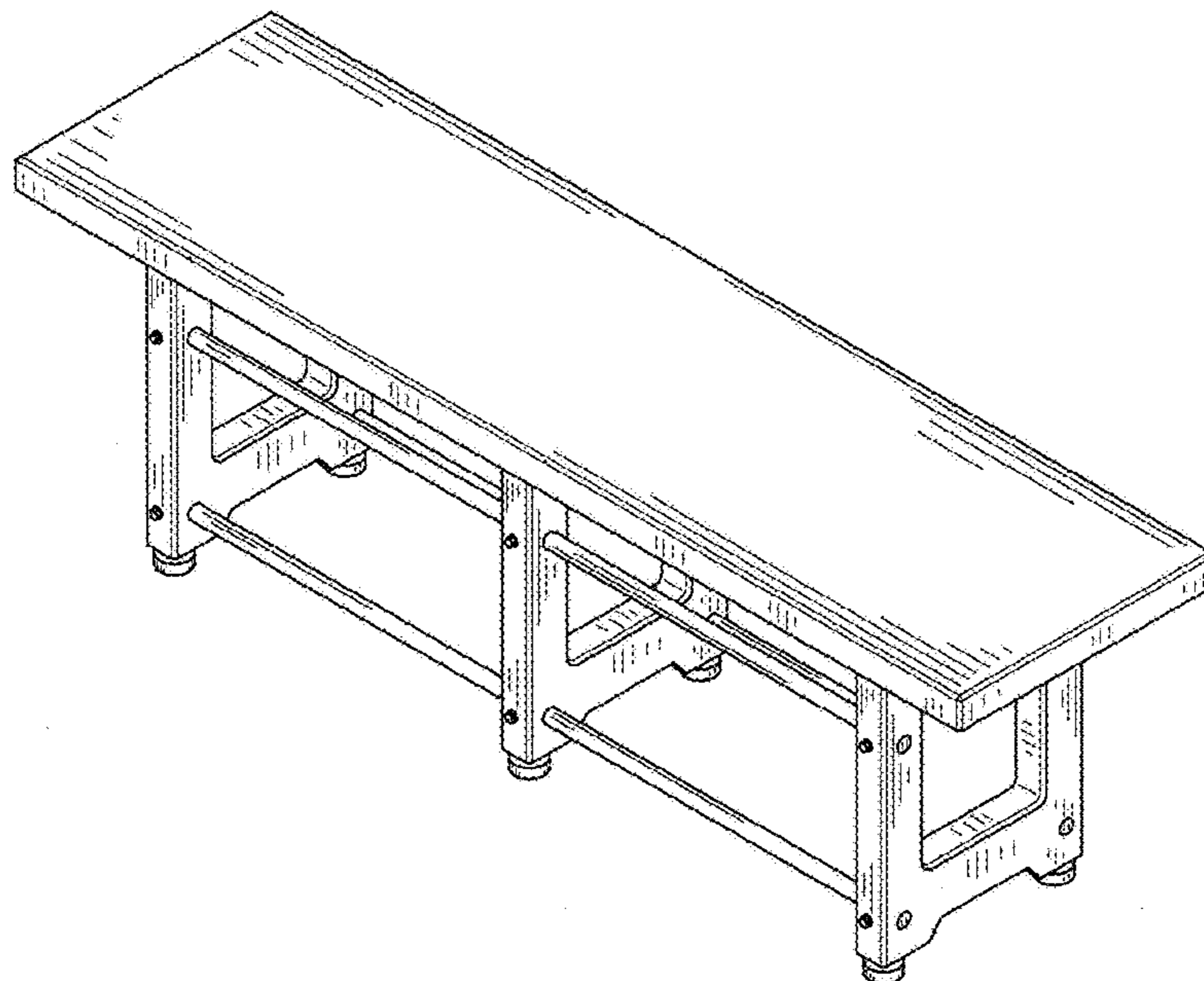
(57) **CLAIM**

The ornamental design for a bench, as shown and described.

DESCRIPTION

FIG. 1 is a perspective view of a bench showing our new design;
FIG. 2 is a top view of a bench;
FIG. 3 is a left side view of a bench;
FIG. 4 is a front view of a bench;
FIG. 5 is a rear view of a bench;
FIG. 6 is a right side view of a bench;
FIG. 7 is a bottom view of a bench; and,
FIG. 8 is a perspective view of a bench including drawers. The broken line showing of the drawers of FIG. 8 depict environmental features that form no part of the claimed design.

1 Claim, 4 Drawing Sheets



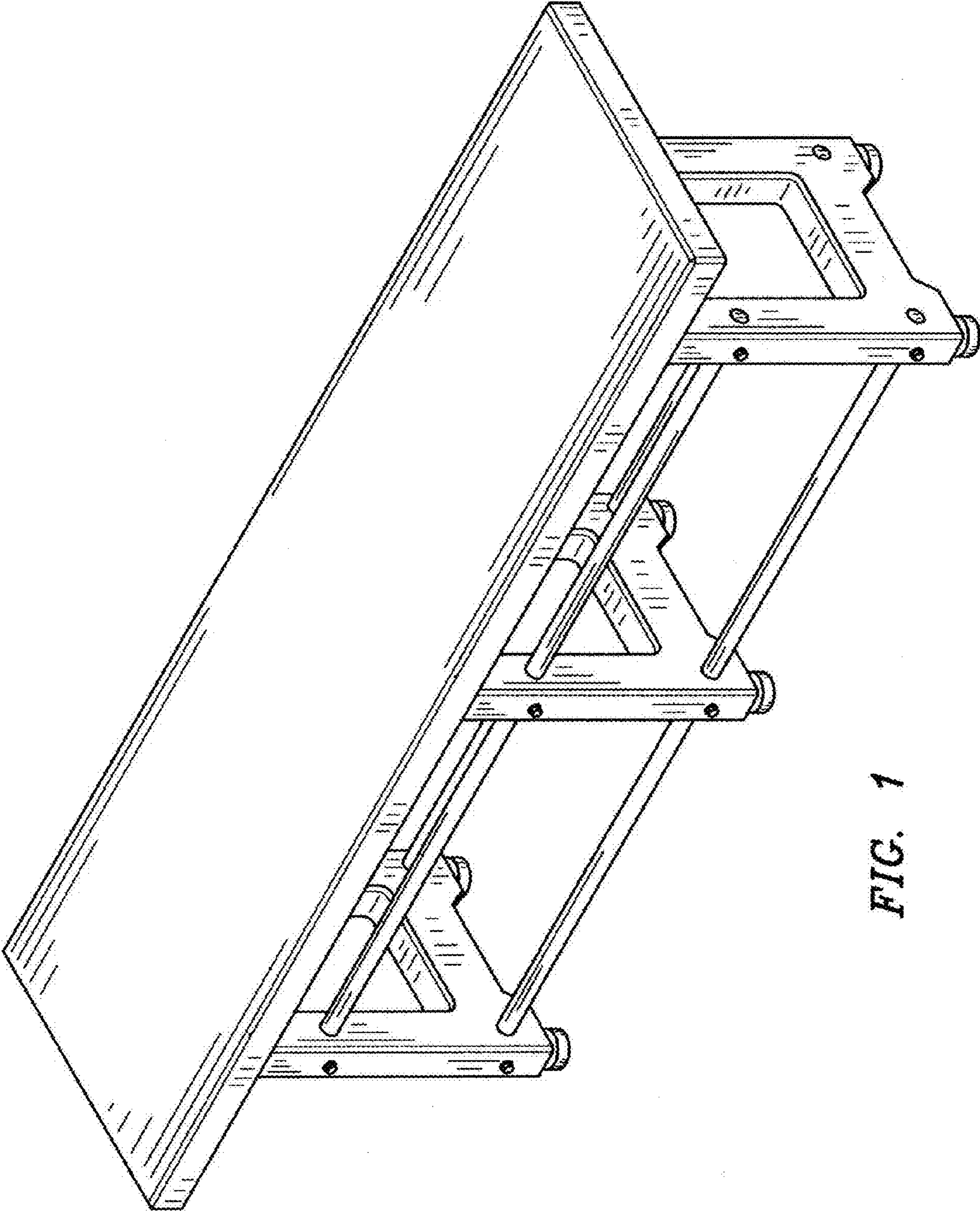


FIG. 1

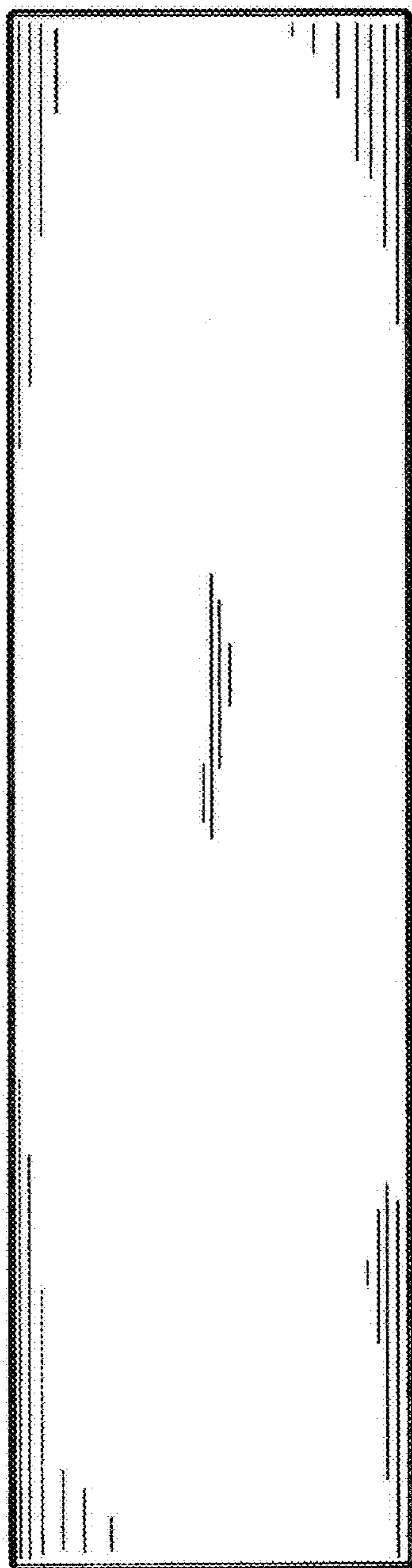


FIG. 2

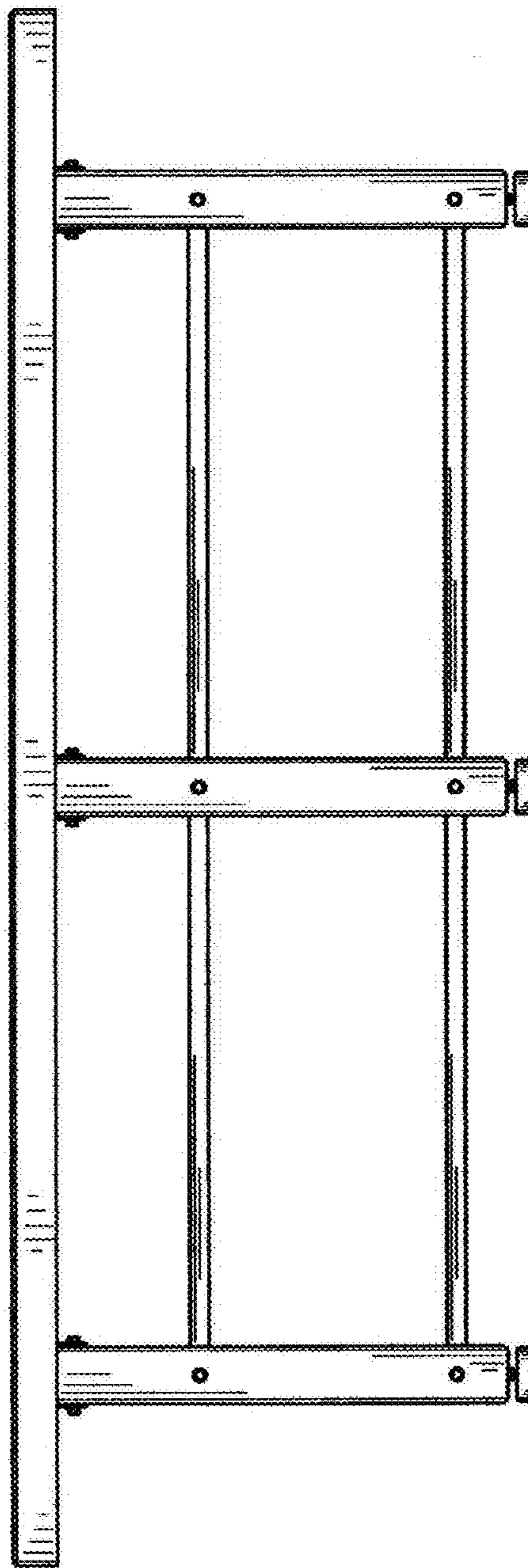


FIG. 3

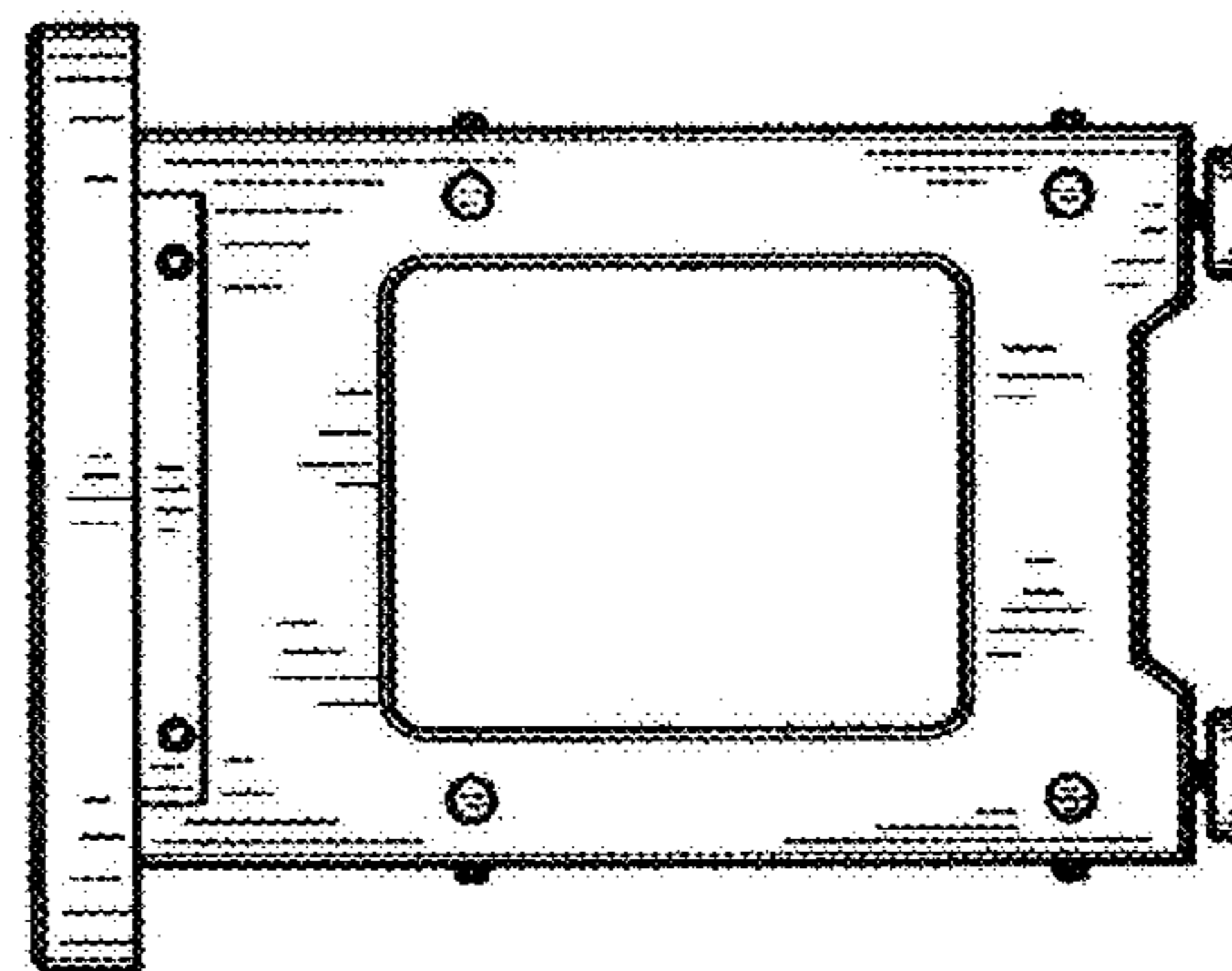


FIG. 4

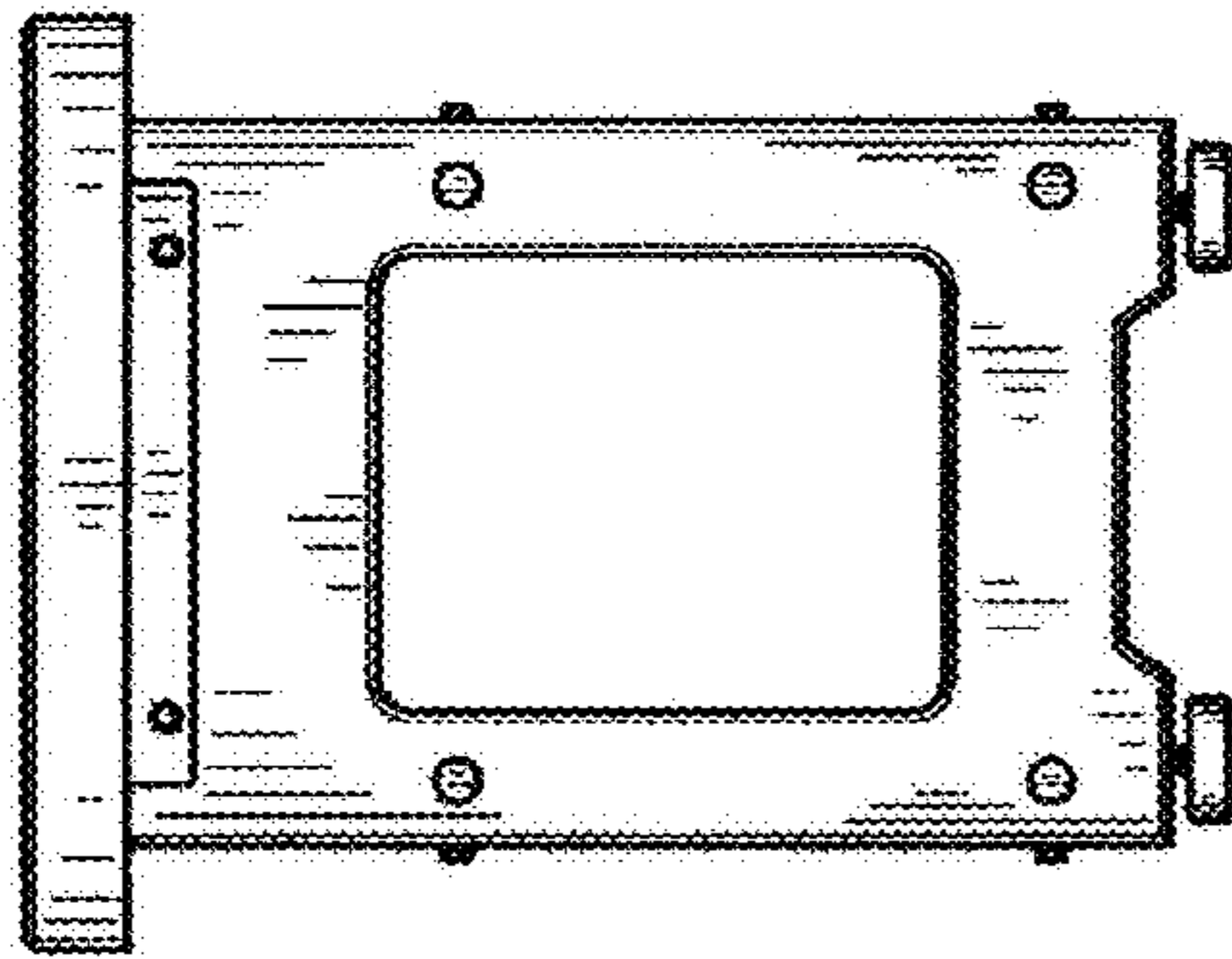


FIG. 6

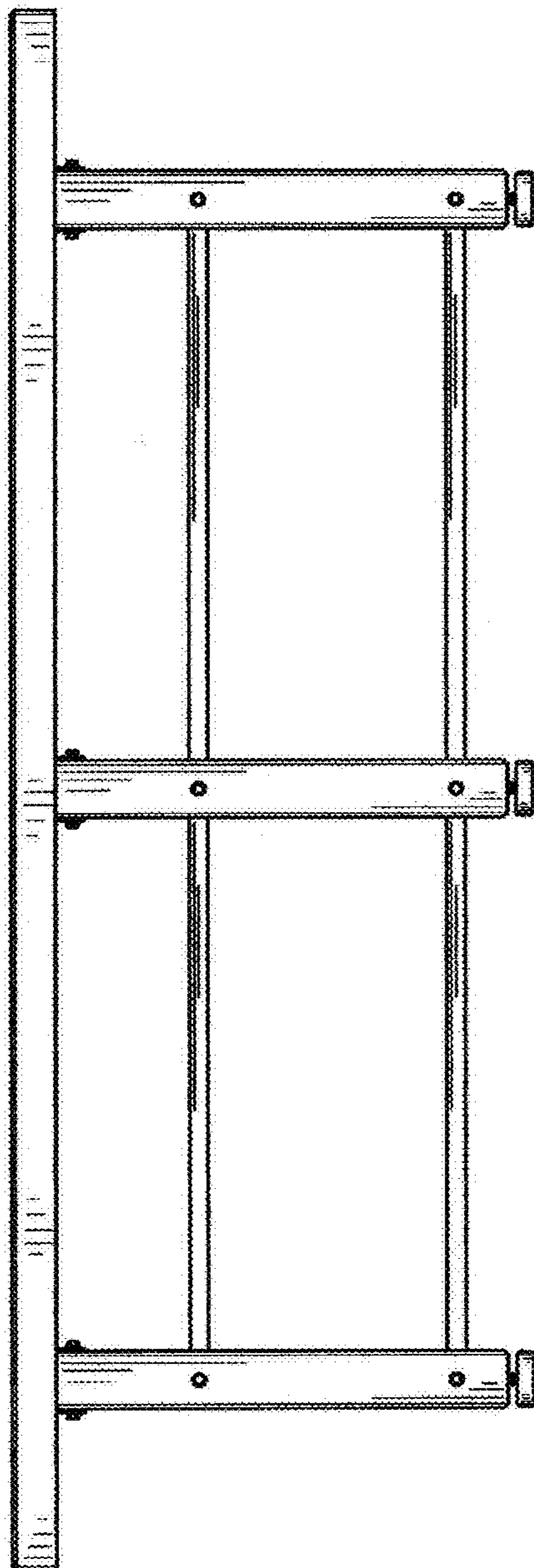


FIG. 5

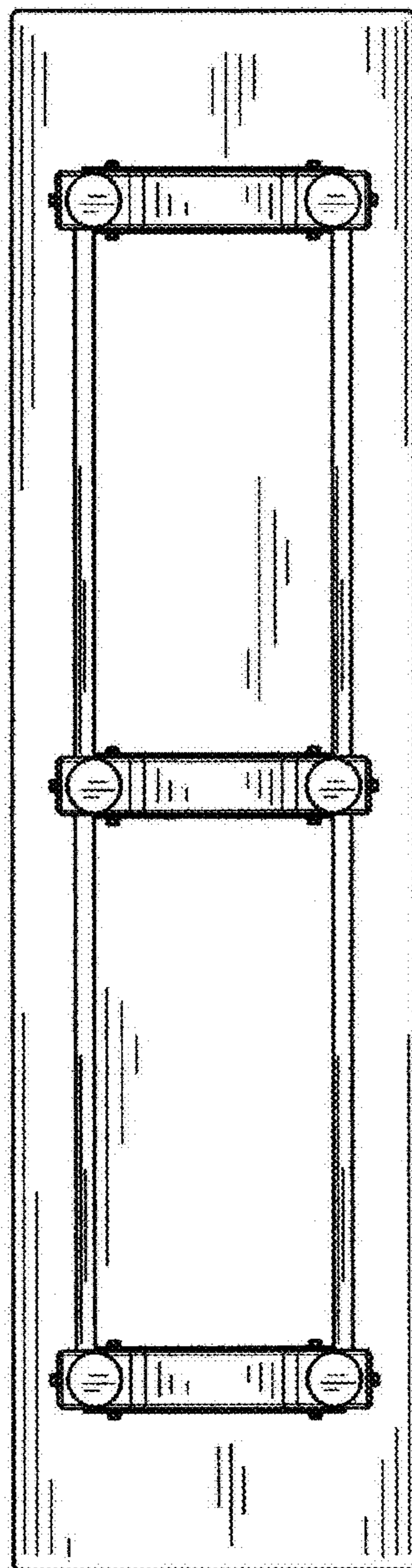


FIG. 7

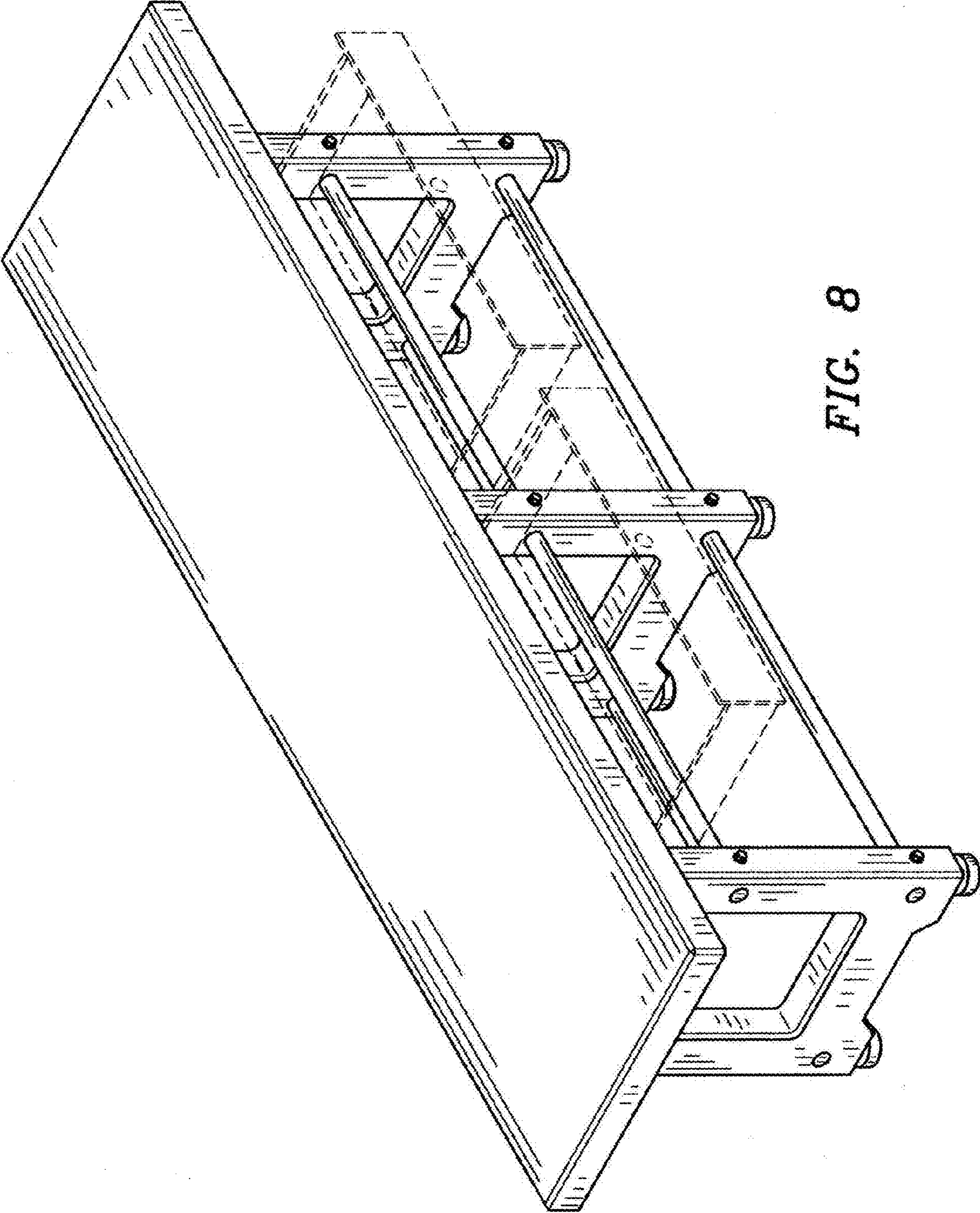


FIG. 8