



US00D704940S

(12) **United States Design Patent**
Maurer et al.

(10) **Patent No.:** **US D704,940 S**

(45) **Date of Patent:** **** May 20, 2014**

(54) **BOOSTER SEAT**

(71) Applicants: **Bernard J. Maurer**, Weston, MA (US);
Erin Quant Riddell, Bay Village, OH
(US)

(72) Inventors: **Bernard J. Maurer**, Weston, MA (US);
Erin Quant Riddell, Bay Village, OH
(US)

(**) Term: **14 Years**

(21) Appl. No.: **29/469,552**

(22) Filed: **Oct. 11, 2013**

(51) **LOC (10) Cl.** **06-01**

(52) **U.S. Cl.**
USPC **D6/339**

(58) **Field of Classification Search**
USPC D6/334–336, 338–339, 491, 333, 716,
D6/716.1–716.7; D12/129; D21/412, 419;
280/30–31; 5/94, 98.1, 99.1, 101, 105,
5/655; 297/183.1–183.4, 184.13, 184.15,
297/184.17, 250.1, 256.1, 255, 256.15,
297/256.16, 174 R, 174 CS, 170–173, 136,
297/148, 27, 61, 68; 4/572.1

See application file for complete search history.

(56) **References Cited**

U.S. PATENT DOCUMENTS

D327,180 S *	6/1992	Fonville	D6/339
D330,842 S *	11/1992	Meeker et al.	D6/333
D356,689 S *	3/1995	Mariol	D6/333
D364,746 S *	12/1995	Lerner et al.	D6/339
D366,967 S *	2/1996	Meeker et al.	D6/339
D367,368 S *	2/1996	Drane	D6/339
D383,911 S *	9/1997	Conforti et al.	D6/333
D419,311 S *	1/2000	Maggeni et al.	D6/333
D424,312 S *	5/2000	Hotaling et al.	D6/333

* cited by examiner

Primary Examiner — Caron D Veynar

Assistant Examiner — Abraham Bahta

(74) *Attorney, Agent, or Firm* — Sand & Sebolt

(57) **CLAIM**

The ornamental design for a booster seat, as shown and described.

DESCRIPTION

FIG. 1 is an isometric perspective view of the booster seat in accordance with our design;
FIG. 2 is a front view thereof;
FIG. 3 is a back view thereof;
FIG. 4 is a right side view thereof;
FIG. 5 is a left side view thereof;
FIG. 6 is a top view thereof; and,
FIG. 7 is a bottom view thereof.
The broken lines illustrate portions of the booster seat which form no part of the claimed design.

1 Claim, 7 Drawing Sheets





FIG-1

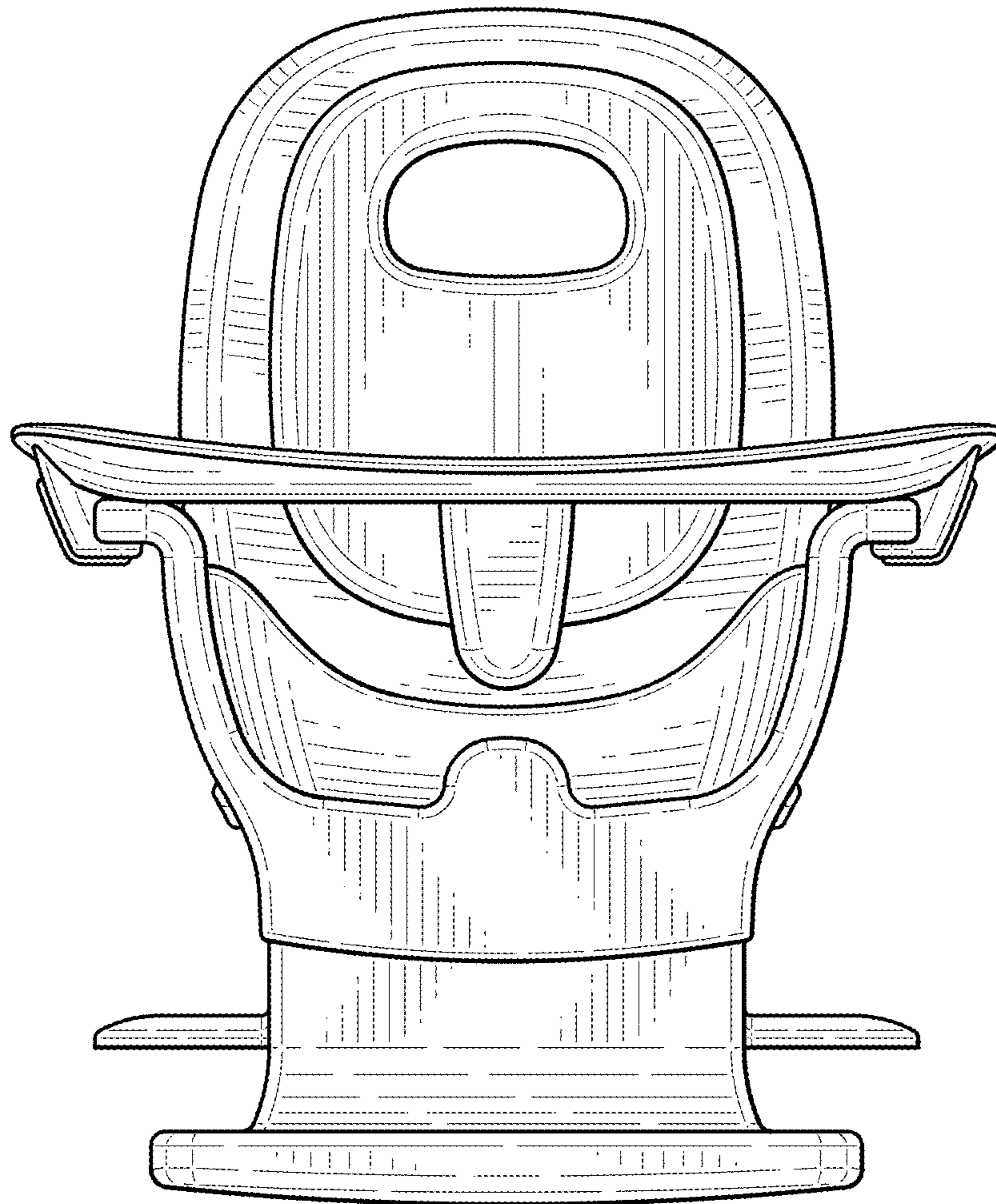


FIG-2

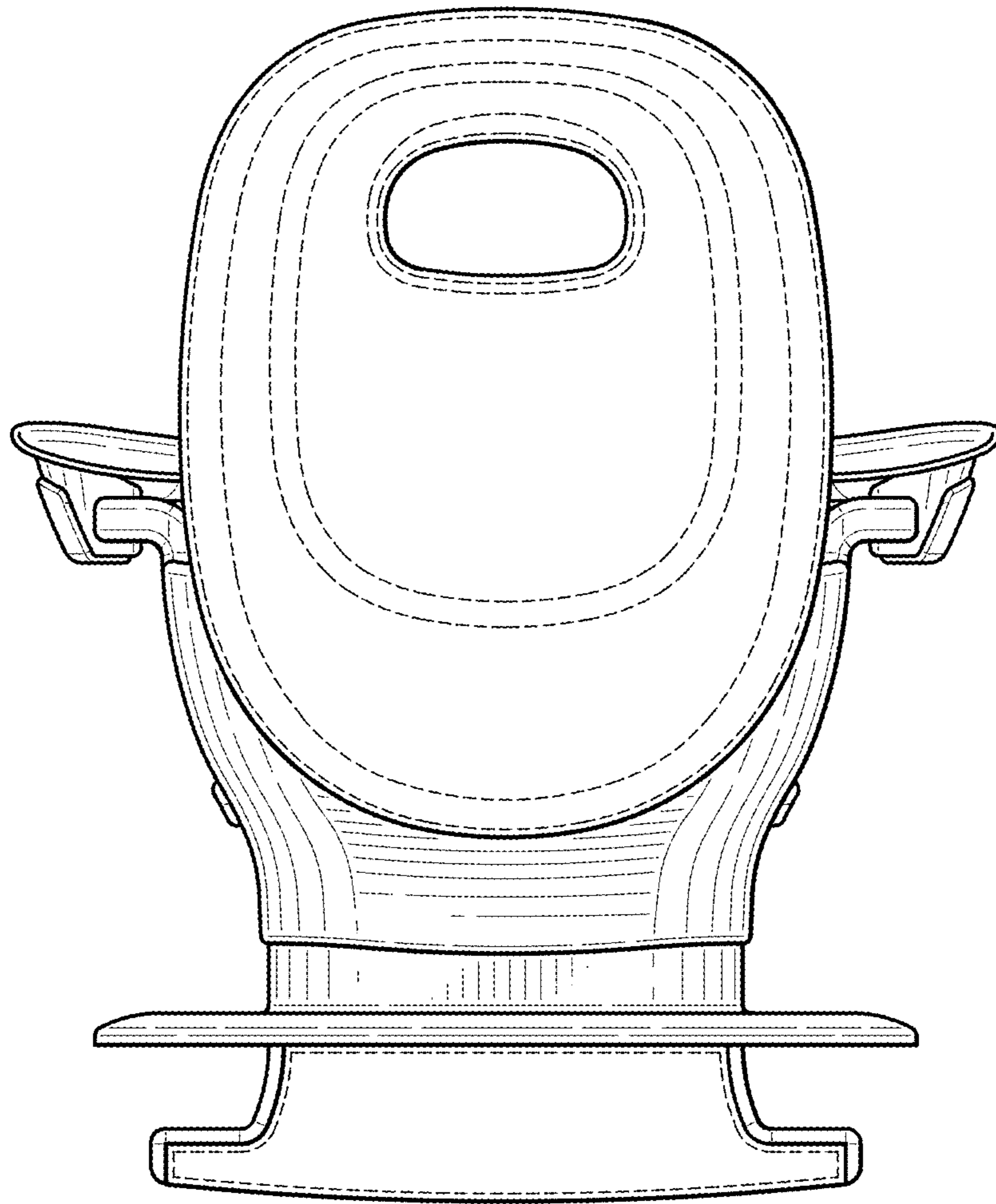


FIG-3

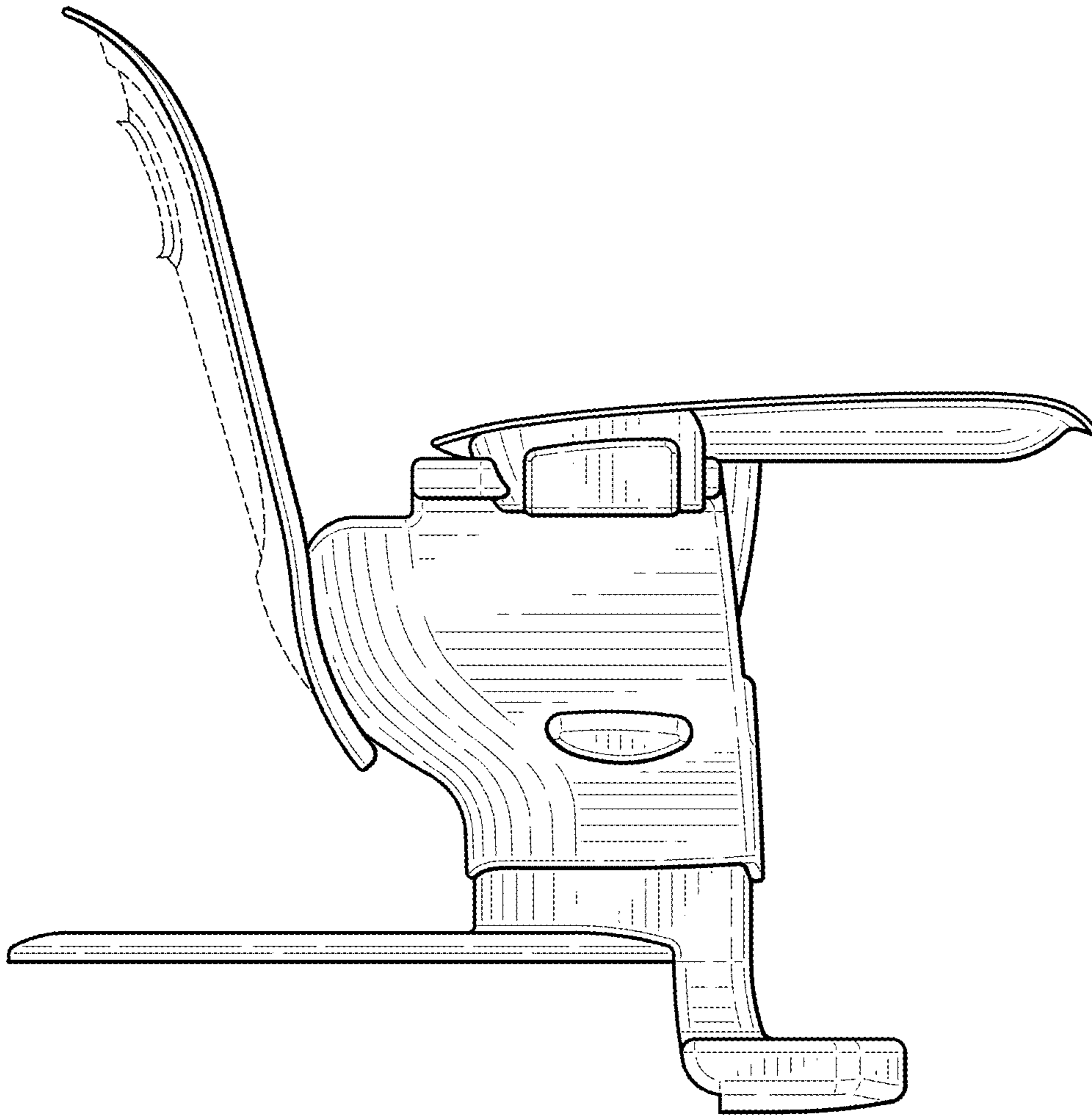


FIG-5

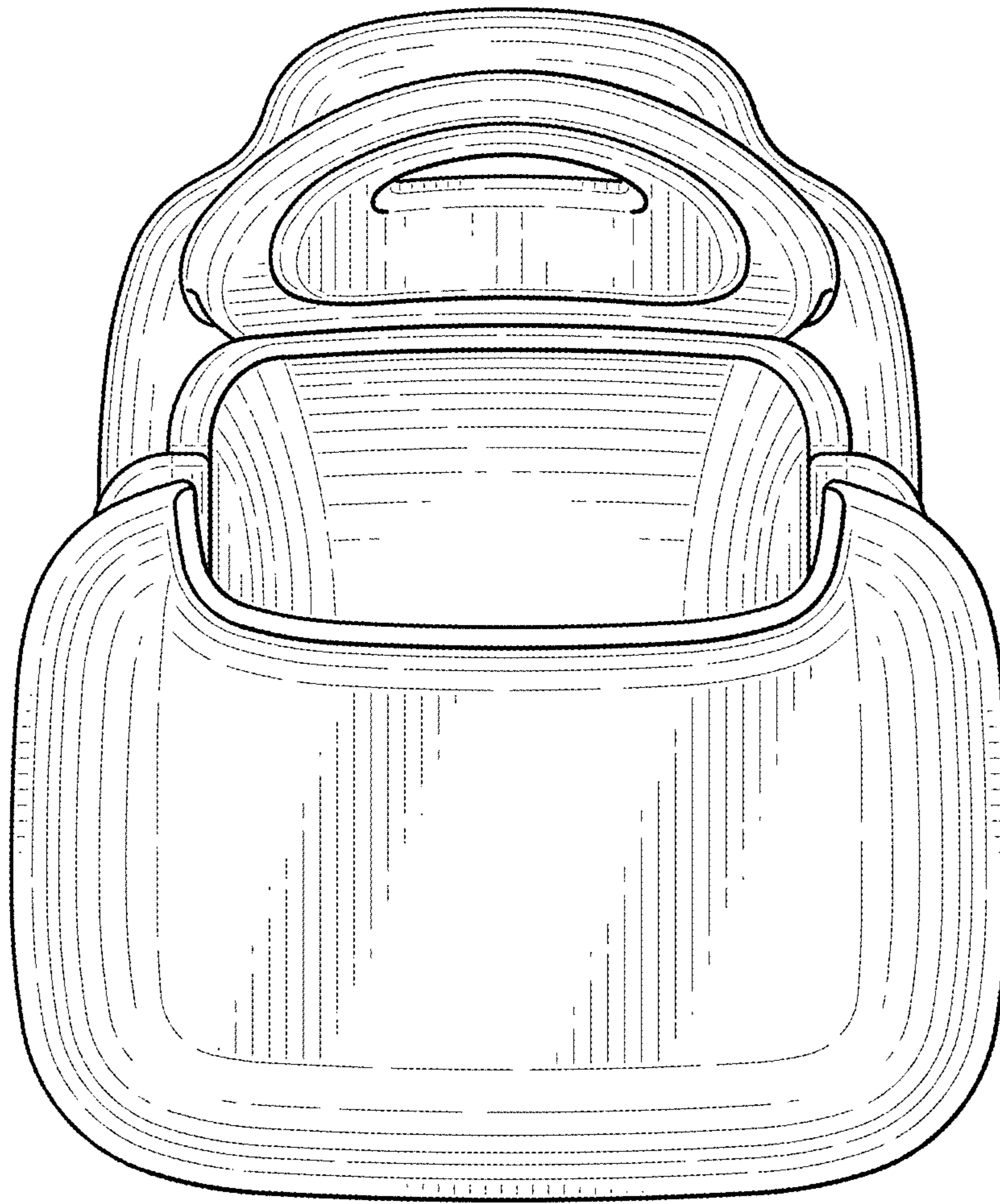


FIG-6

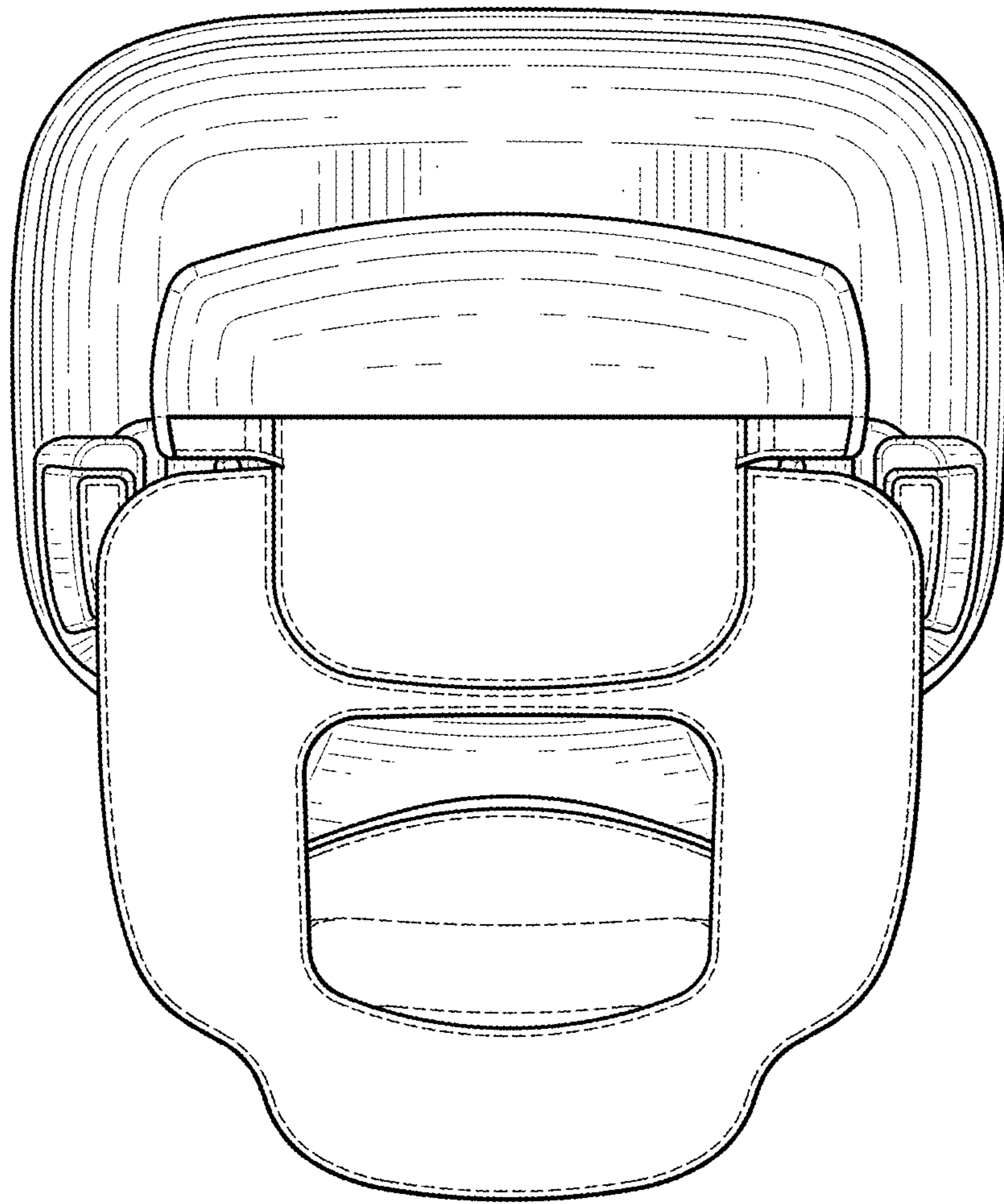


FIG-7