



US00D704938S

(12) **United States Design Patent**
Mischel, Jr. et al.

(10) **Patent No.:** **US D704,938 S**

(45) **Date of Patent:** **** *May 20, 2014**

(54) **LIGHTED MIRROR**

(75) Inventors: **James Vernon Mischel, Jr.**, Seattle, WA (US); **Patrick Daniel Erickson**, Seattle, WA (US)

(73) Assignee: **Electric Mirror, LLC**, Everett, WA (US)

(*) Notice: This patent is subject to a terminal disclaimer.

(**) Term: **14 Years**

(21) Appl. No.: **29/258,436**

(22) Filed: **Apr. 22, 2006**

(51) **LOC (10) Cl.** **06-07**

(52) **U.S. Cl.**
USPC **D6/300**

(58) **Field of Classification Search**
USPC D6/300-314, 444; D20/10; 40/700, 40/735, 738, 744, 798; D28/64.1; 250/492.23; D19/52; D5/63; D14/371, D14/129; 359/871; D13/147
See application file for complete search history.

(56) **References Cited**

U.S. PATENT DOCUMENTS

593,036 A	11/1897	Struparich
D114,451 S	4/1939	Lazarus
D122,771 S	10/1940	Doner
2,351,877 A	6/1944	Rabkin
D230,773 S	3/1974	Arnold
D254,643 S	4/1980	Ashenfarb
D265,485 S	7/1982	Liptak
D270,066 S	8/1983	Ackeret
D276,397 S	11/1984	Pfanstiehl
4,777,746 A	10/1988	Brooks
D311,820 S	11/1990	Glucksman
5,061,004 A	10/1991	Happich
5,074,067 A	12/1991	Cohart
5,205,059 A	4/1993	Doll

D339,921 S	10/1993	Nourse
5,279,880 A	1/1994	Cohart
D345,379 S	3/1994	Chan
D353,942 S	1/1995	Lo
D383,908 S	9/1997	Waszkiewicz, III
D384,821 S	10/1997	Sugar
D384,823 S	10/1997	Sugar
D405,473 S	2/1999	Tikhonski et al.
D424,812 S *	5/2000	Kacius D6/300
6,099,928 A	8/2000	Chee
D433,573 S	11/2000	Rochon
D458,459 S *	6/2002	Gottwald D6/300
D524,061 S	7/2006	Bruce
D524,555 S	7/2006	Mohundro
D559,553 S	1/2008	Mischel, Jr.

(Continued)

OTHER PUBLICATIONS

Bagen, www.yashdefogger.com,BGL-008,2004.*

(Continued)

Primary Examiner — Susan E Krakower
Assistant Examiner — Sydney R Buffalow
(74) *Attorney, Agent, or Firm* — Peloquin, PLLC; Mark S. Peloquin, Esq.

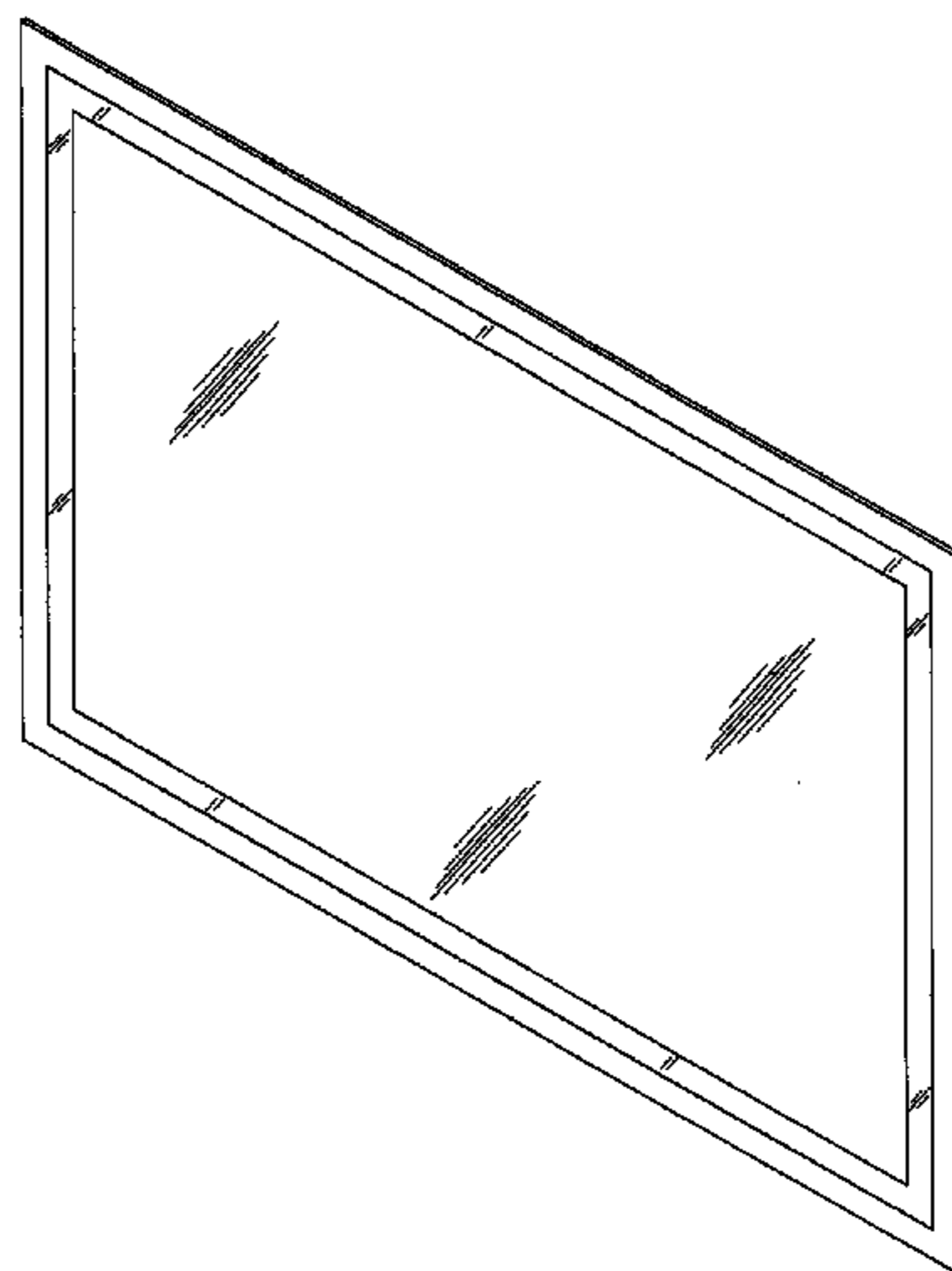
(57) **CLAIM**

The ornamental design for a lighted mirror, as shown and described.

DESCRIPTION

FIG. 1 is a perspective view of a lighted mirror, showing our new design;
FIG. 2 is a front view thereof, the back view is identical to FIG. 2;
FIG. 3 is a left side view thereof, the right side view is identical to FIG. 3; and,
FIG. 4 is a top view thereof, the bottom view is identical to FIG. 4.

1 Claim, 2 Drawing Sheets



(56)

References Cited

U.S. PATENT DOCUMENTS

D559,555	S	1/2008	Mischel, Jr.	
D559,557	S	1/2008	Mischel, Jr.	
D560,371	S *	1/2008	Liu et al.	D6/308
D576,432	S *	9/2008	Siekman	D6/509
D593,036	S *	5/2009	Asano et al.	D13/147
2002/0148151	A1	10/2002	Whitlow	
2003/0084600	A1	5/2003	Peterson	
2009/0257140	A1 *	10/2009	Mischel et al.	359/871

OTHER PUBLICATIONS

“Embrace,” ElectricMirror.com, <<http://web.archive.org/web/20041217213955/electricmirror.com/english/menu/momentum.html>>, as early as Dec. 2004 [retrieved Jan. 10, 2008].

“Masterpiece,” ElectricMirror.com, <<http://web.archive.org/web/20030831074237/www.electricmirror.com/english/menu/masterpiece>>, as early as Aug. 2003 [retrieved Jan. 10, 2008].
Mischel, Jr., et al., “Wall Sconce, Backlit Mirror,” U.S. Appl. No. 29/258,445, filed Apr. 22, 2006.
Mischel, Jr., et al., “Lighted Mirror,” U.S. Appl. No. 29/258,446, filed Apr. 22, 2006.
“Momentum,” ElectricMirror.com, <<http://web.archive.org/web/20030831074416/www.electricmirror.com/english/menu/momentum.html>>, as early as Aug. 2003 [retrieved Jan. 10, 2008].
“Embrace,” ElectricMirror.com, <<http://web.archive.org/web/20060709052632/www.electricmirror.com/embrace.html>>, as early as Dec. 2004.

* cited by examiner

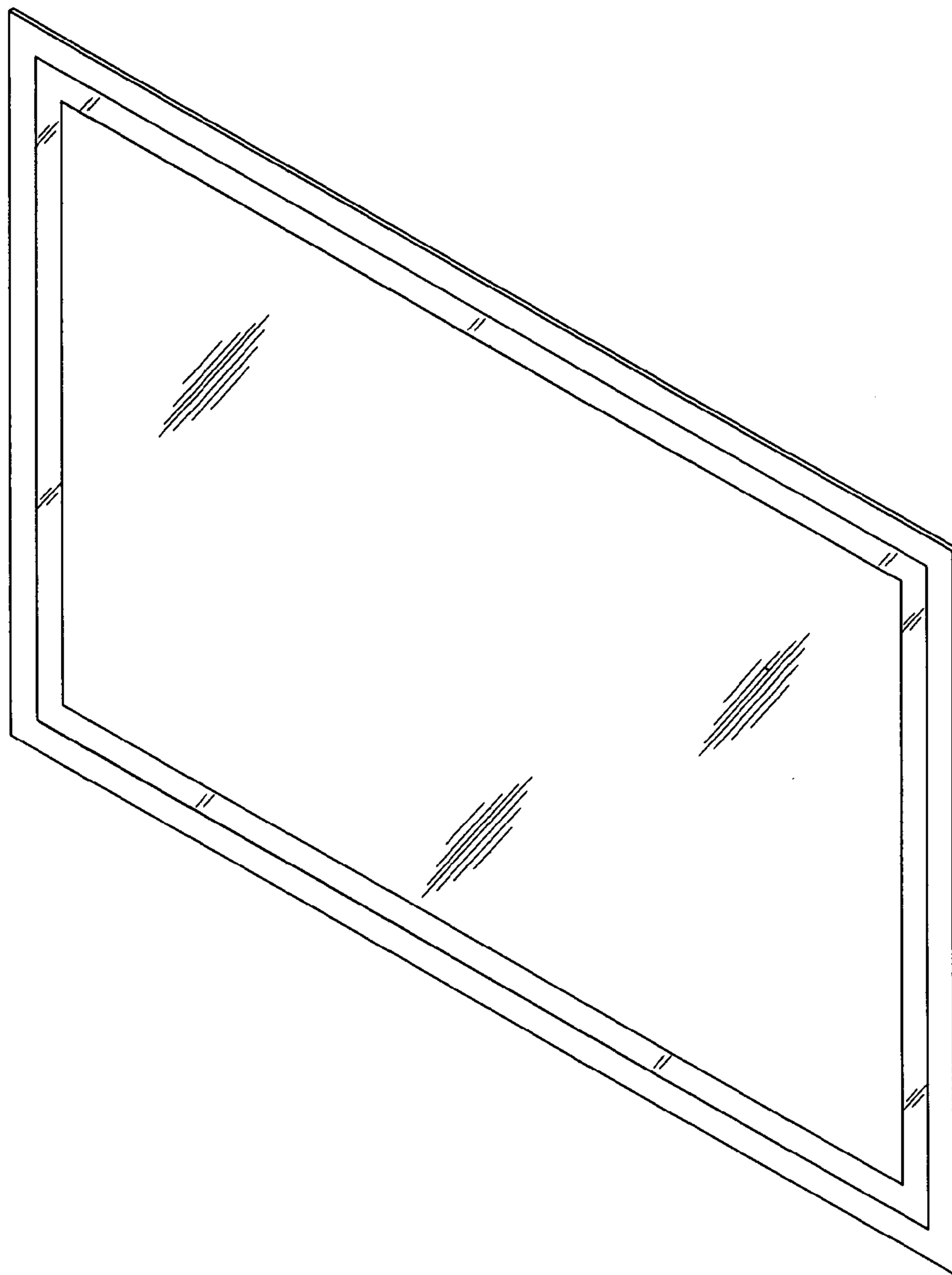


Fig. 1.

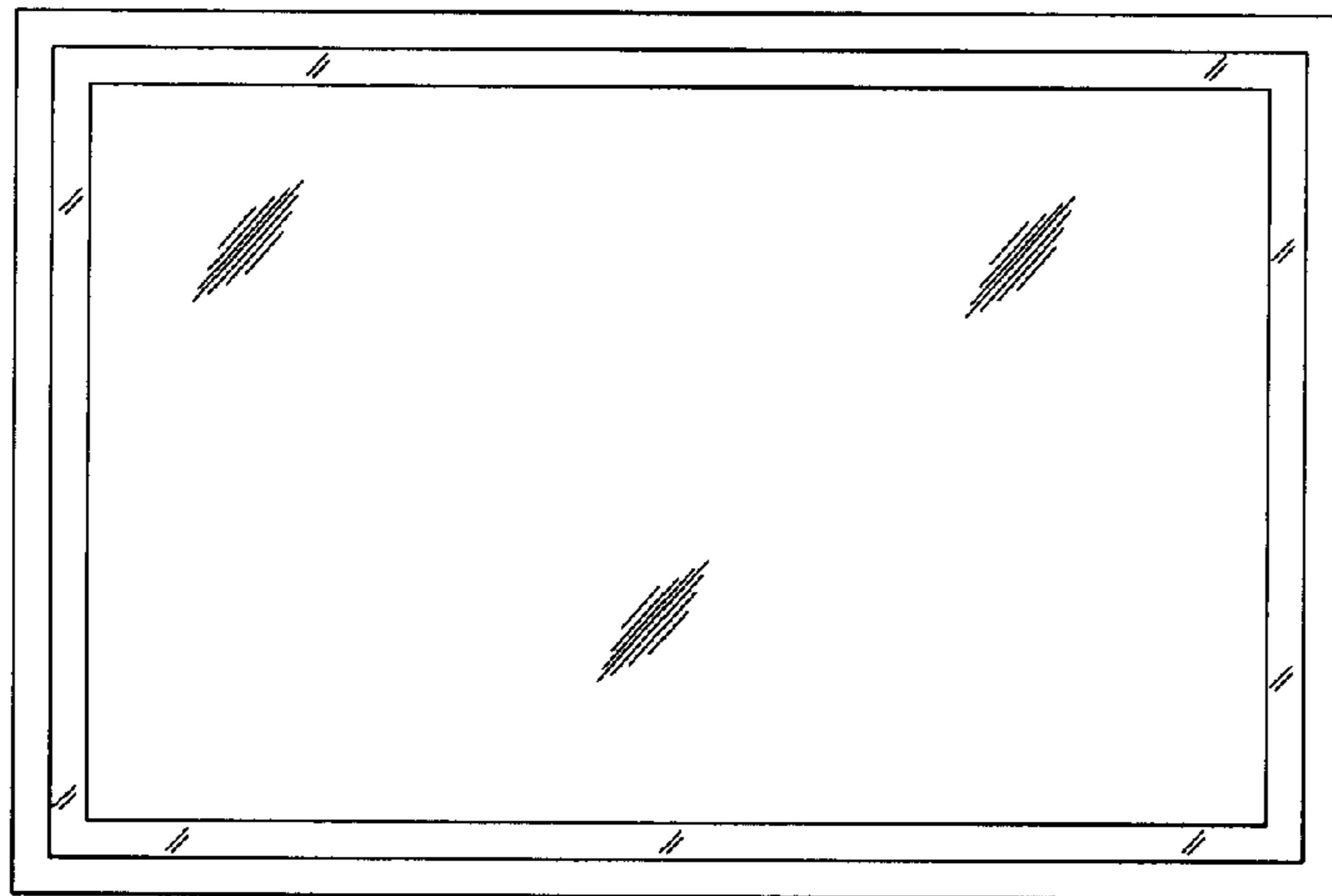


Fig. 2.

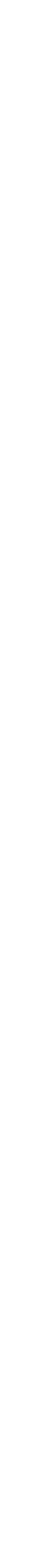


Fig. 3.



Fig. 4.