



US00D704937S

(12) **United States Design Patent**  
**Cutler**

(10) **Patent No.:** **US D704,937 S**

(45) **Date of Patent:** **\*\* May 20, 2014**

(54) **BUCKET LIFTING STRAP**

(76) Inventor: **Robert D. Cutler**, Lakewood, IL (US)

(\*\*) Term: **14 Years**

(21) Appl. No.: **29/426,855**

(22) Filed: **Jul. 11, 2012**

(51) **LOC (10) Cl.** ..... **03-01**

(52) **U.S. Cl.**  
USPC ..... **D3/327**

(58) **Field of Classification Search**  
USPC ..... D3/327; 294/31.2, 150-152, 157,  
294/164-165

See application file for complete search history.

6,161,885 A \* 12/2000 Walker ..... 294/31.2  
D499,015 S 11/2004 Schwartz  
D542,537 S \* 5/2007 Schwartz et al. .... D3/316  
7,284,777 B1 10/2007 Kraemer  
D564,761 S \* 3/2008 McGlenn ..... D3/327  
7,399,017 B1 \* 7/2008 Lasseigne ..... 294/31.2  
D581,162 S 11/2008 Walker et al.

\* cited by examiner

*Primary Examiner* — Holly Baynham

(74) *Attorney, Agent, or Firm* — Grace J. Fishel

(57) **CLAIM**  
The ornamental design for a bucket lifting strap, as shown.

**DESCRIPTION**

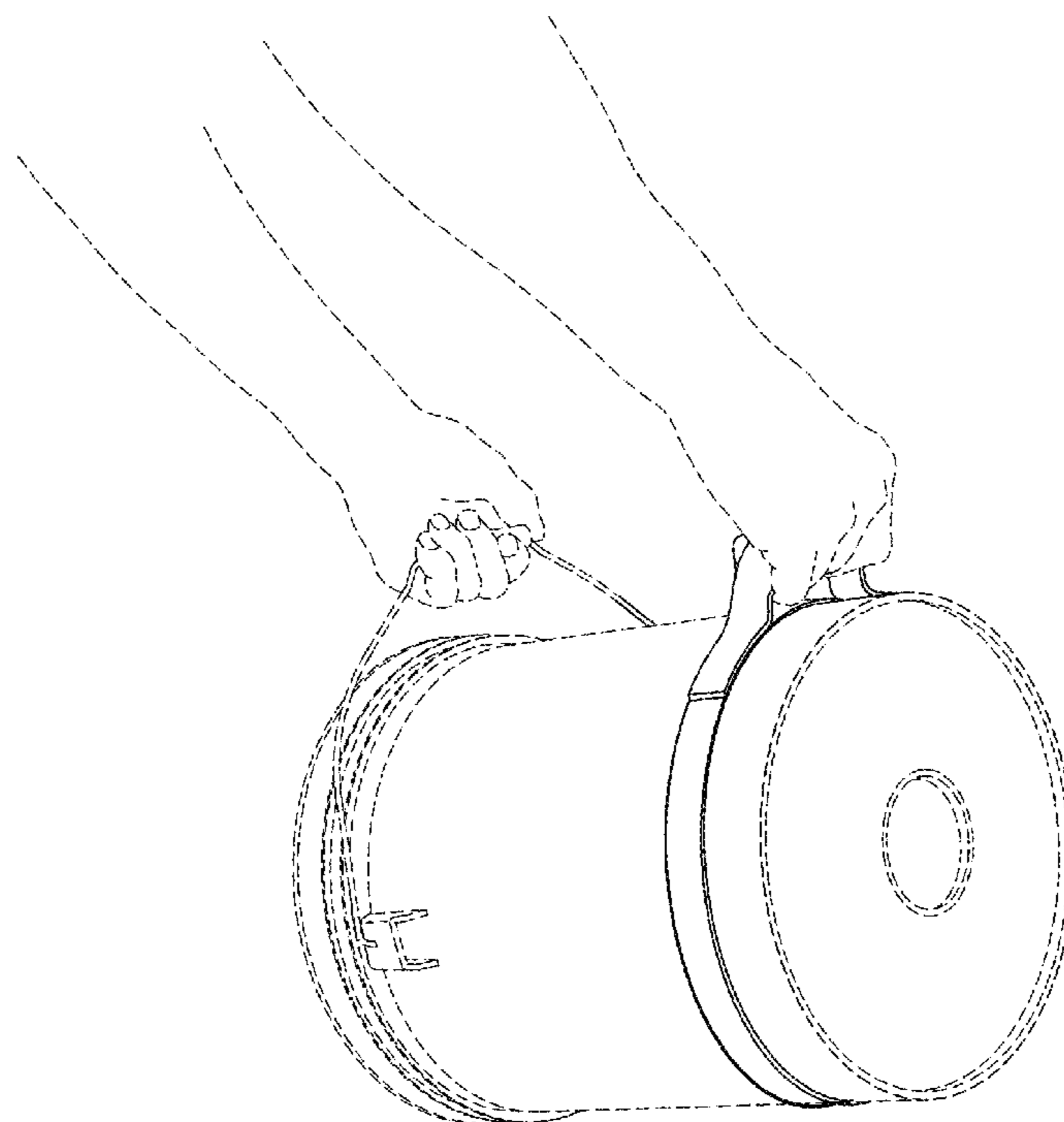
FIG. 1 is a perspective view of a bucket lifting strap showing my new design in use;  
FIG. 2 is a top plan view thereof;  
FIG. 3 is a front elevation thereof;  
FIG. 4 is a back elevation thereof;  
FIG. 5 is a bottom plan view thereof;  
FIG. 6 is a right side elevation thereof; and,  
FIG. 7 is a left side elevation thereof.  
The broken lines showing a bucket and portions of a human body are for the purposes of illustrating environment and form no part of the claimed design.

**1 Claim, 4 Drawing Sheets**

(56) **References Cited**

U.S. PATENT DOCUMENTS

1,460,268 A	6/1923	Ottman	
3,463,536 A	8/1969	Updegraff et al.	
3,612,595 A	10/1971	Updegraff et al.	
3,964,126 A	6/1976	Madsen	
4,045,069 A	8/1977	Fife	
4,116,374 A	9/1978	Garello	
4,357,042 A	11/1982	Gall	
4,834,438 A	5/1989	Haidet	
5,255,947 A	10/1993	Schwartz	
5,531,495 A	7/1996	Hohman	
D403,162 S *	12/1998	Williams	..... D3/327
D410,335 S	6/1999	Raich	



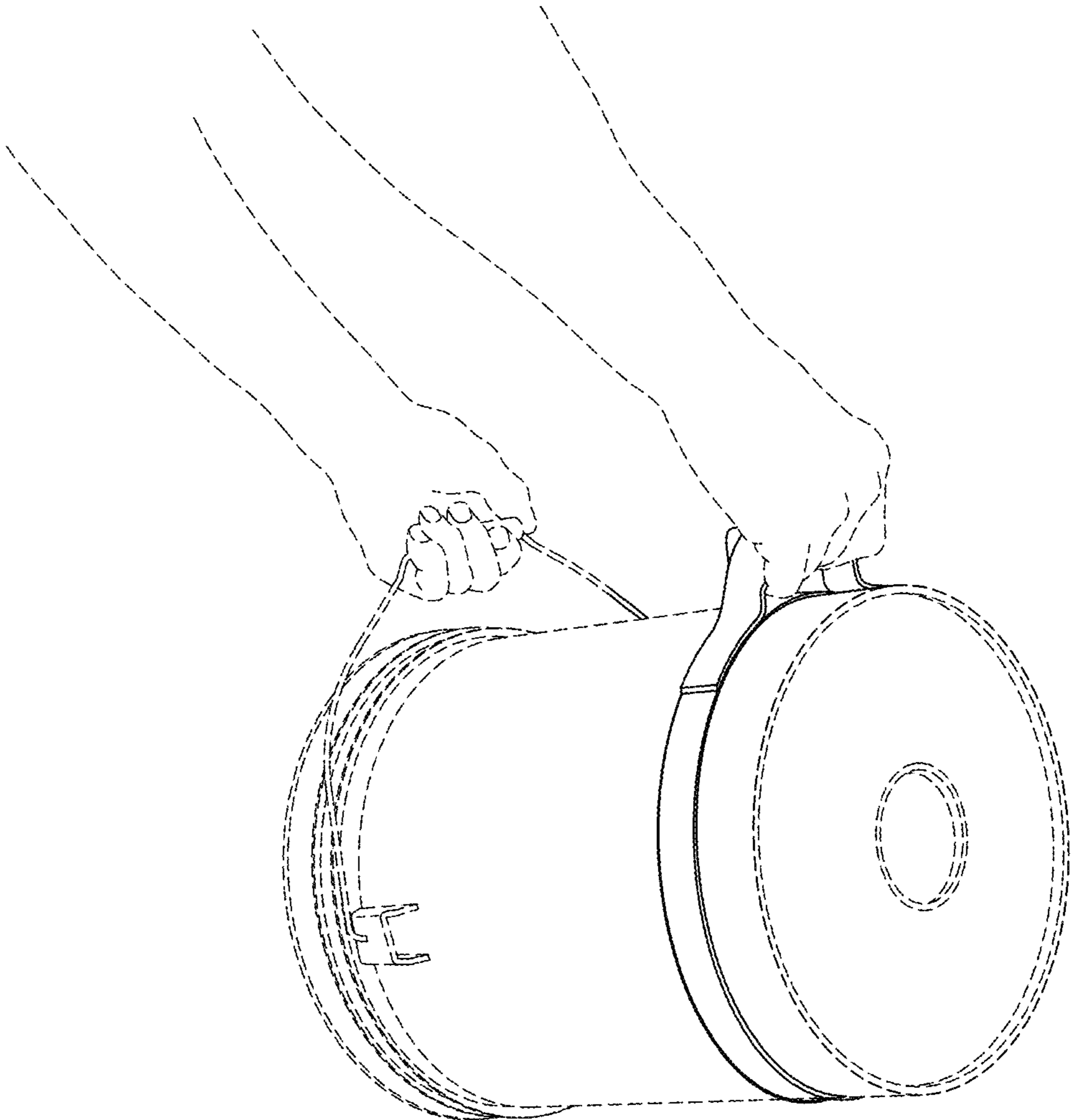


Fig 1

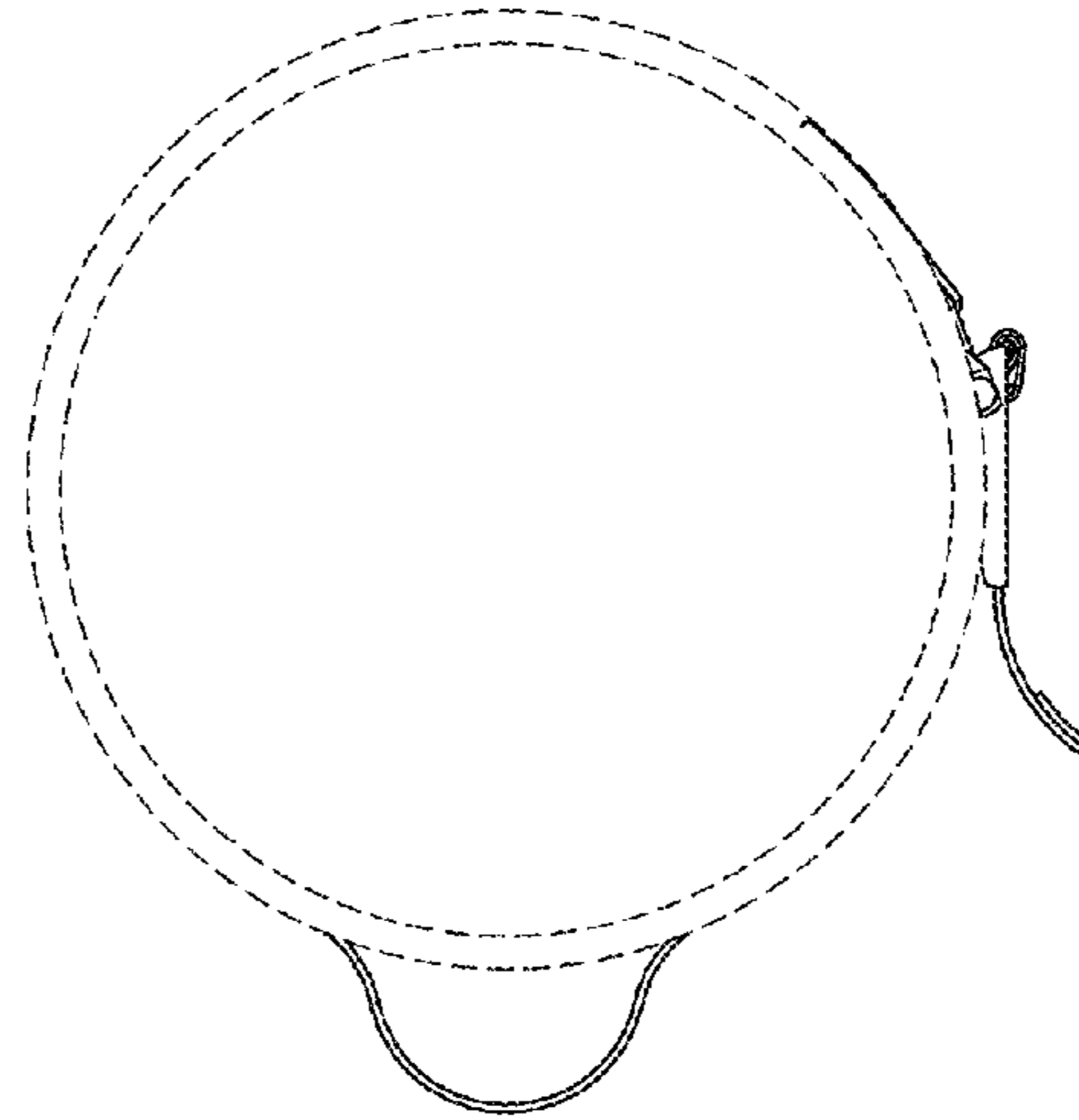


Fig. 2

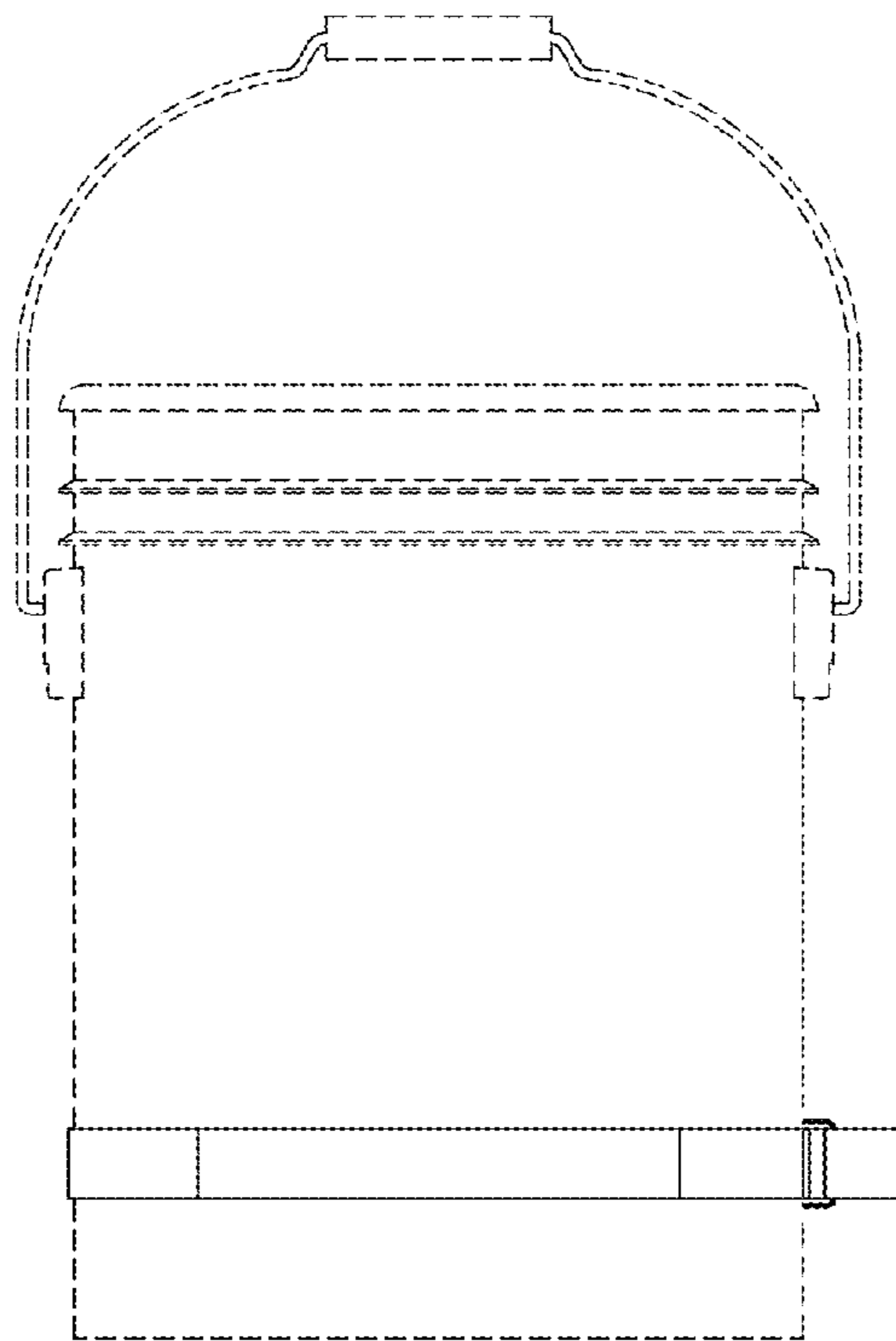


Fig. 3

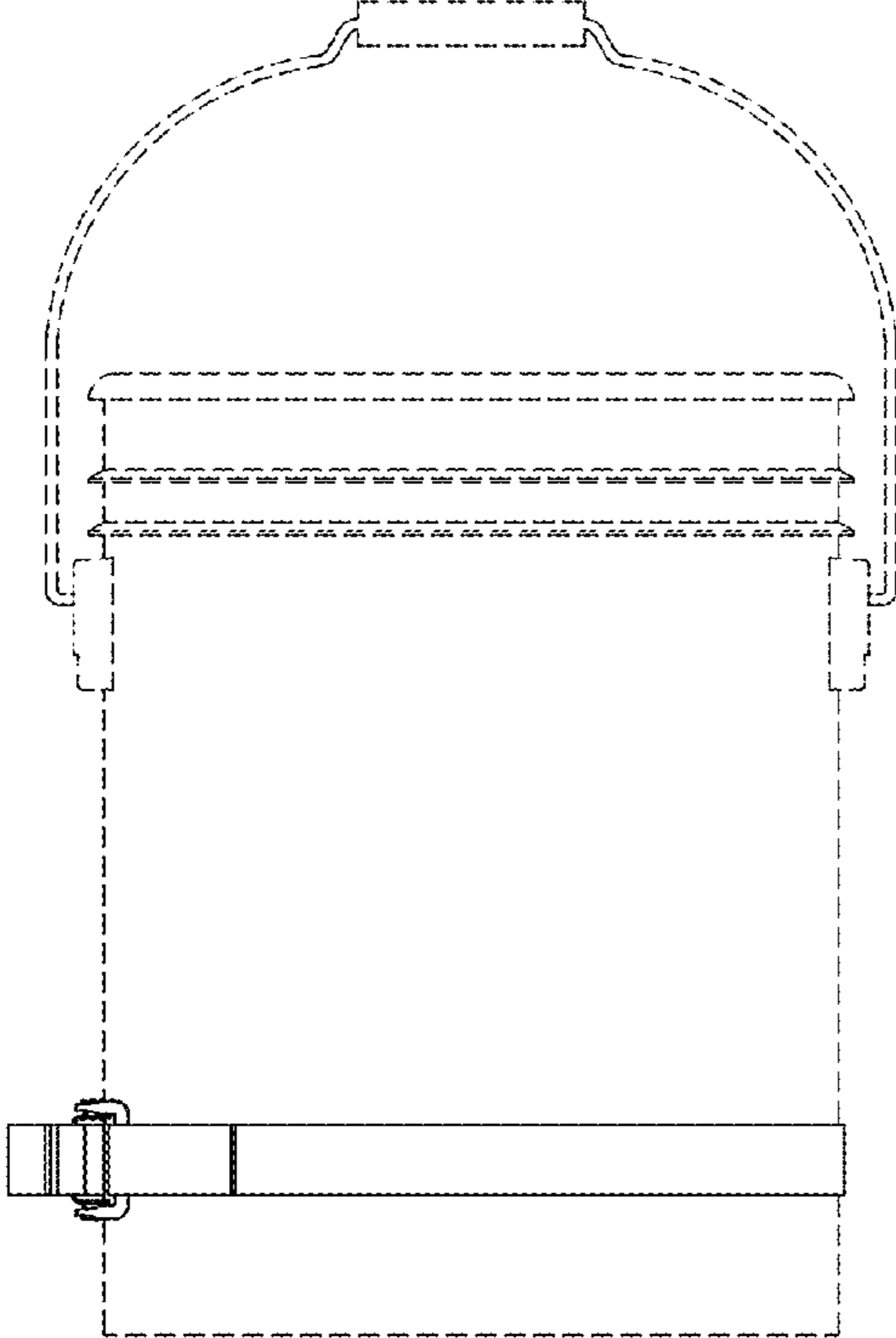


Fig. 4

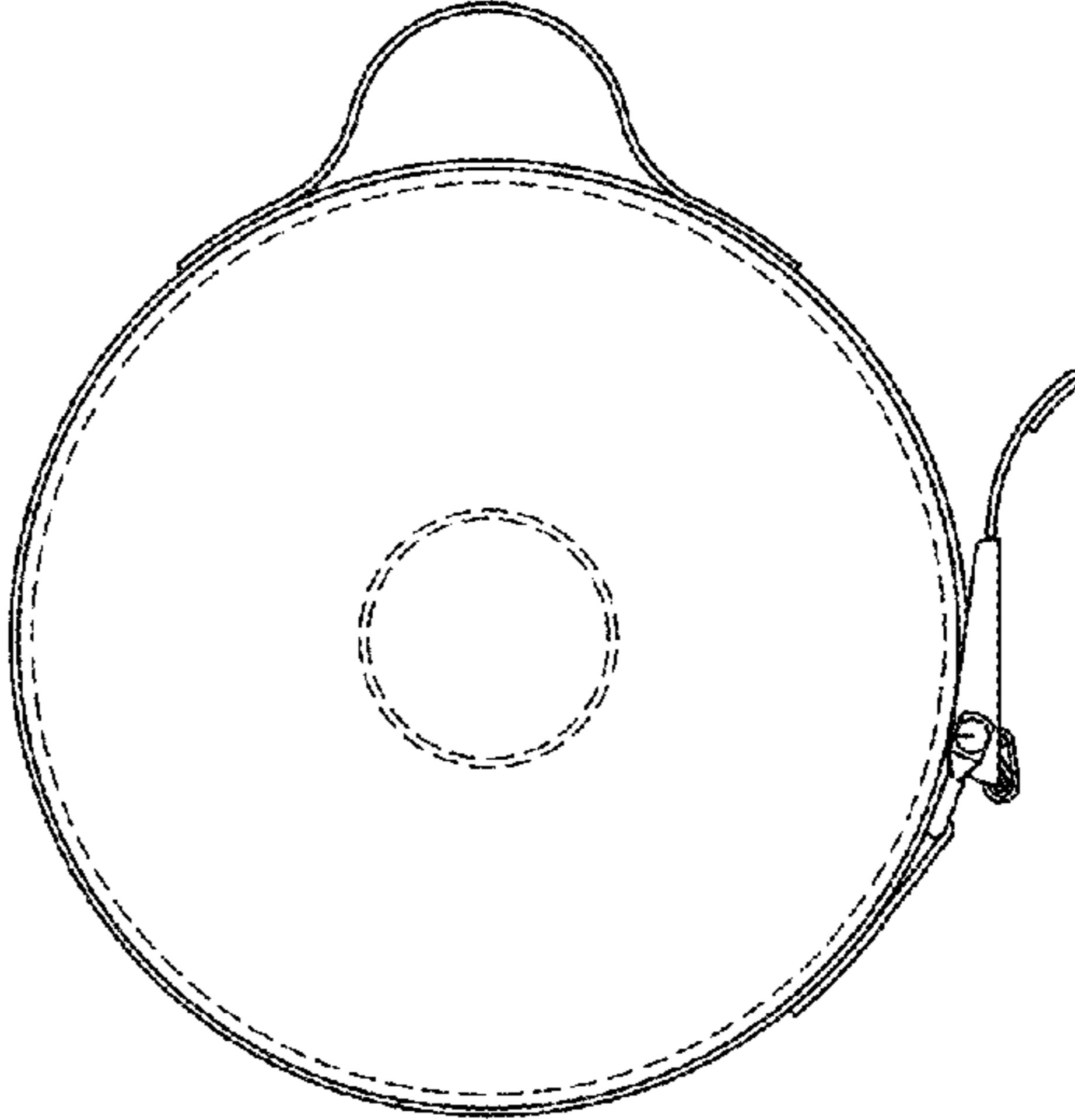


Fig. 5

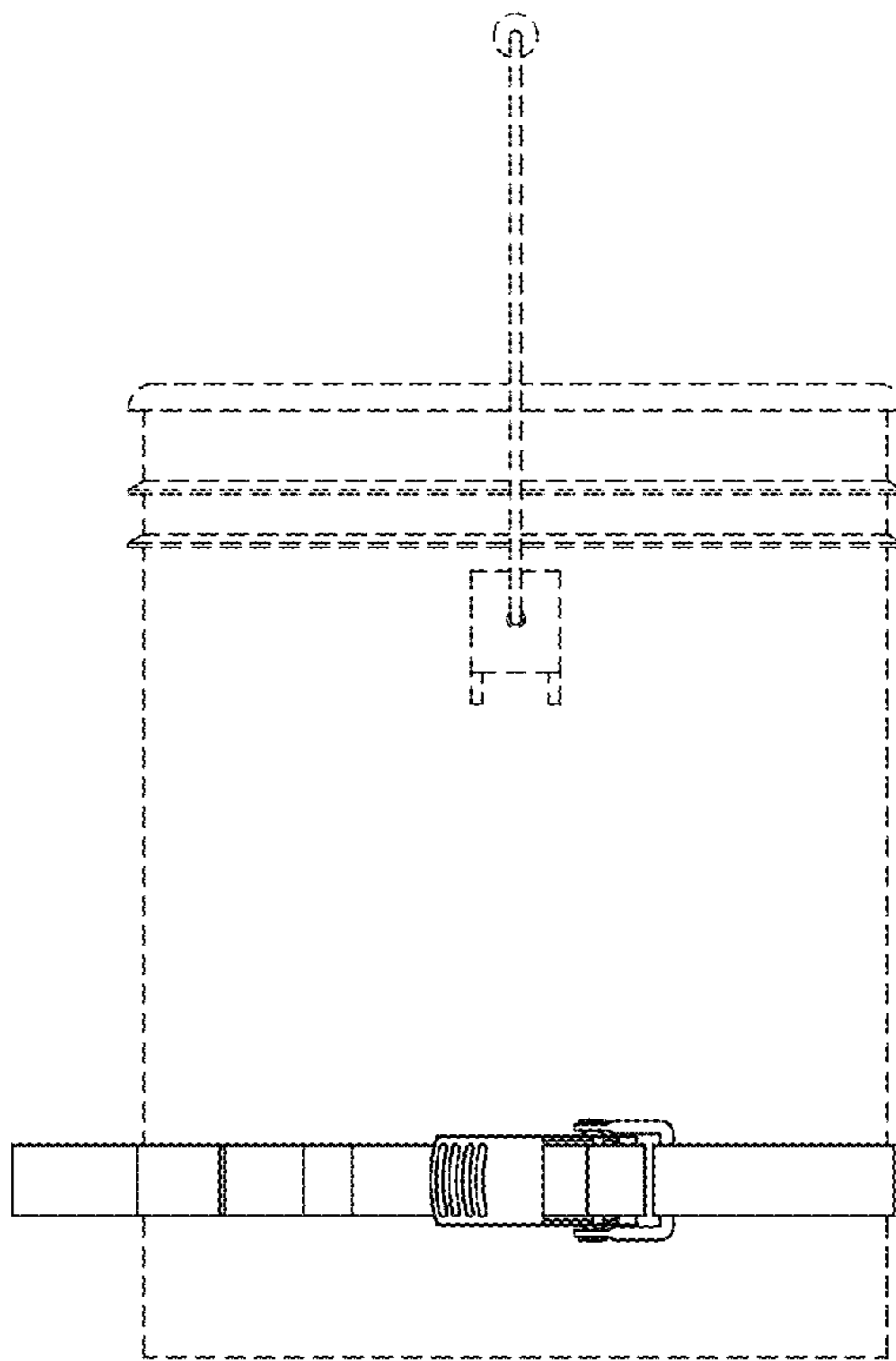


Fig. 6

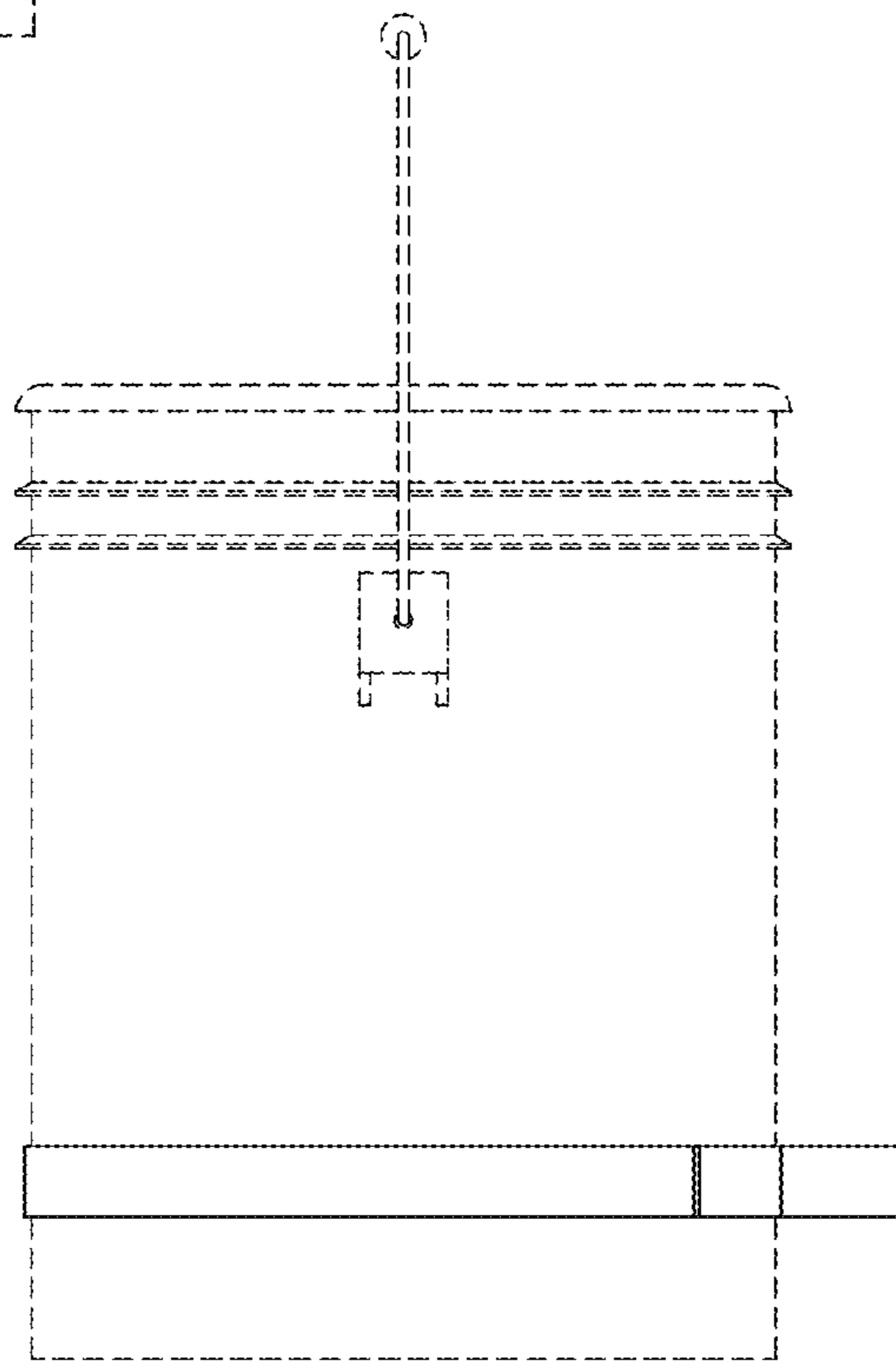


Fig. 7