



US00D704935S

(12) **United States Design Patent**  
**Lintz et al.**

(10) **Patent No.:** **US D704,935 S**

(45) **Date of Patent:** **\*\* May 20, 2014**

(54) **CADDY**

(71) Applicants: **Thomas R. Lintz**, Ravenna, OH (US);  
**Ellen Y. Lintz**, Ravenna, OH (US); **D. Frank Smith**, Fairlawn, OH (US)

(72) Inventors: **Thomas R. Lintz**, Ravenna, OH (US);  
**Ellen Y. Lintz**, Ravenna, OH (US); **D. Frank Smith**, Fairlawn, OH (US)

(73) Assignees: **Thomas R. Lintz**, Ravenna, OH (US);  
**Ellen Y. Lintz**, Ravenna, OH (US)

(\*\*) Term: **14 Years**

(21) Appl. No.: **29/466,835**

(22) Filed: **Sep. 12, 2013**

**Related U.S. Application Data**

(62) Division of application No. 29/406,241, filed on Nov. 10, 2011, now Pat. No. Des. 690,939.

(51) **LOC (10) Cl.** ..... **03-01**

(52) **U.S. Cl.**  
USPC ..... **D3/308**

(58) **Field of Classification Search**  
USPC ..... D3/308, 315; 206/372-373; 224/500,  
224/752, 904

See application file for complete search history.

(56) **References Cited**

U.S. PATENT DOCUMENTS

D280,669 S	*	9/1985	Hammeke .....	D3/308
D341,462 S	*	11/1993	Ballester .....	D3/308
D357,119 S	*	4/1995	Calmeise et al. ....	D3/308
D369,242 S		4/1996	Tiramani .....	
D386,616 S	*	11/1997	Nimer .....	D3/308
D541,531 S		5/2007	Leao .....	
D542,034 S		5/2007	Romano .....	
D649,786 S		12/2011	Lipfert et al. ....	

\* cited by examiner

*Primary Examiner* — Holly Baynham

(57) **CLAIM**

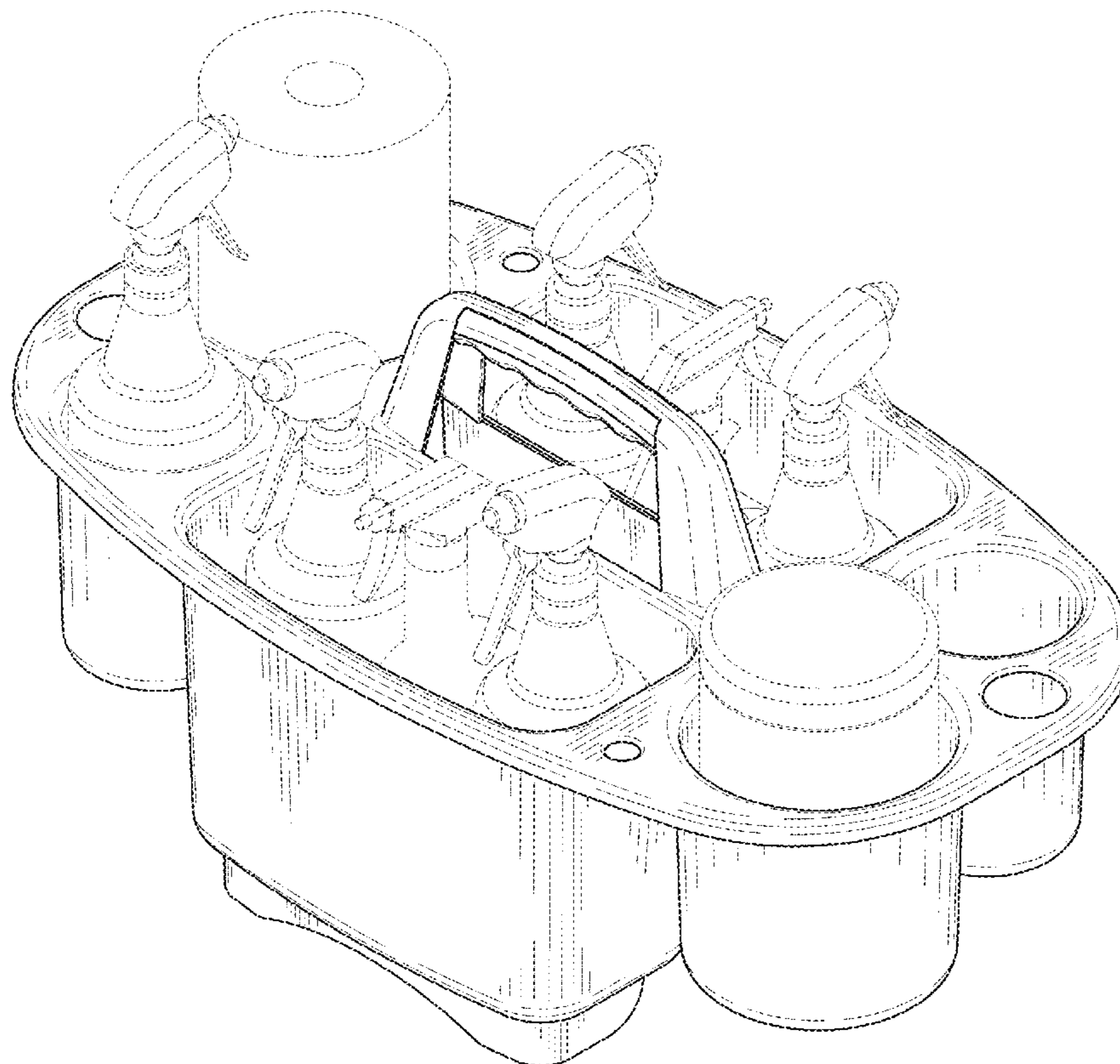
The ornamental design for a caddy, as shown and described.

**DESCRIPTION**

FIG. 1 is a perspective view of a caddy showing the design; FIG. 2 is a top perspective view showing the caddy of FIG. 1; FIG. 3 is a bottom perspective view of the caddy of FIG. 2; FIG. 4 is a side view of the caddy of FIG. 2; FIG. 5 is an end view of the caddy of FIG. 2; FIG. 6 is a top view of the caddy of FIG. 2; and, FIG. 7 is a bottom view of the caddy of FIG. 2.

The broken lines showing articles in a caddy are for the purposes of illustrating environment and form no part of the claimed design.

**1 Claim, 5 Drawing Sheets**



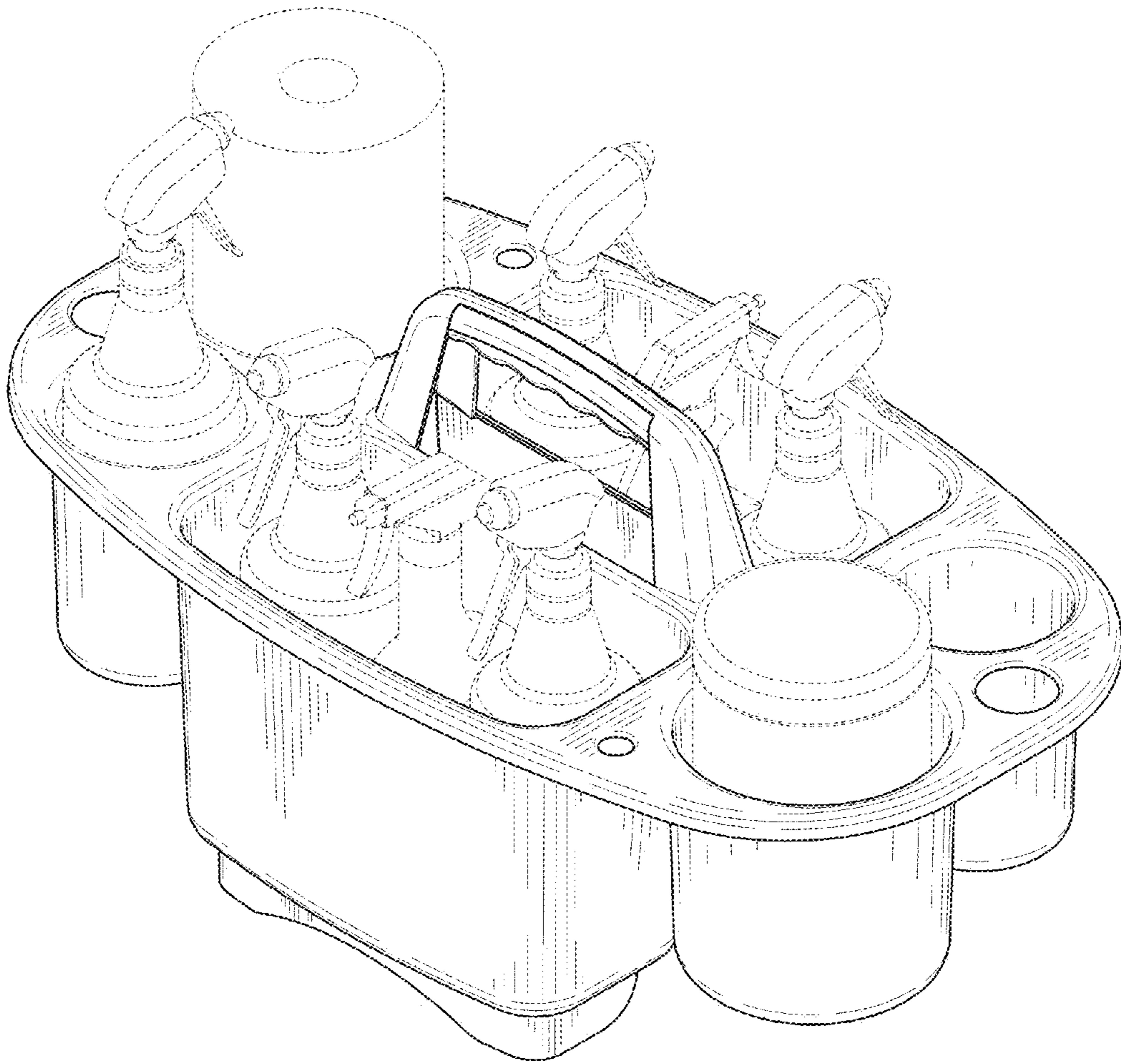


Fig. 1

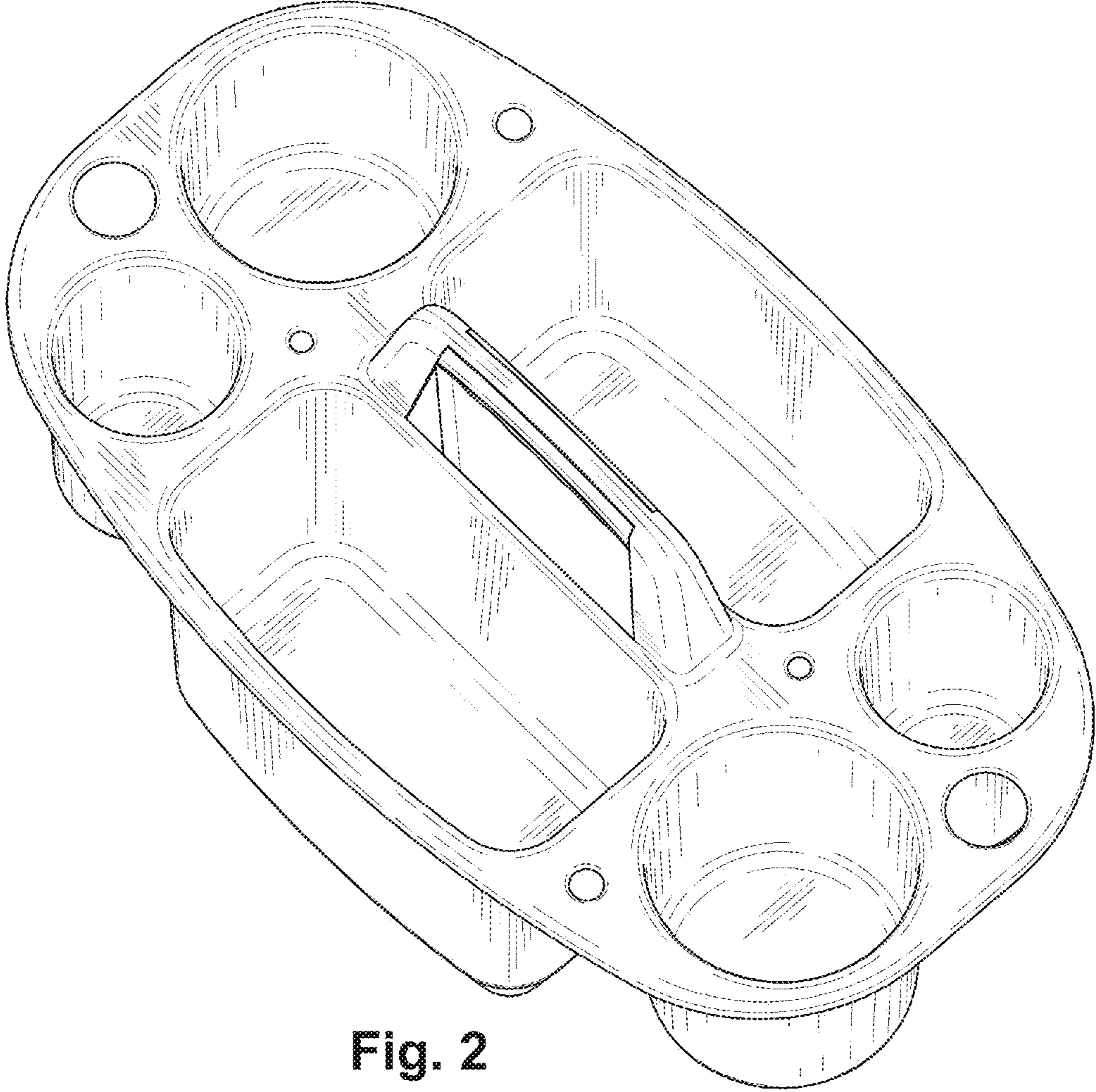


Fig. 2

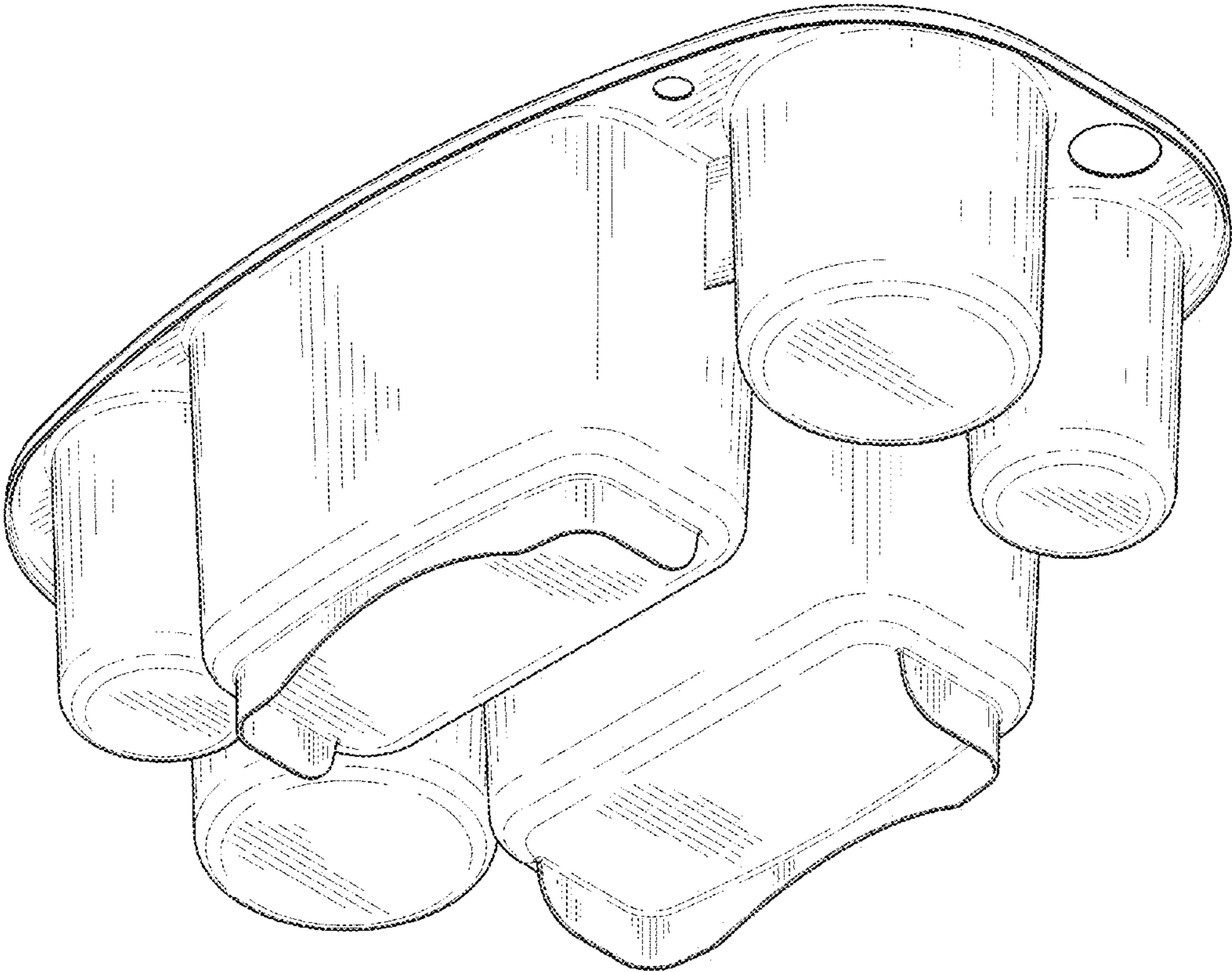


Fig. 3

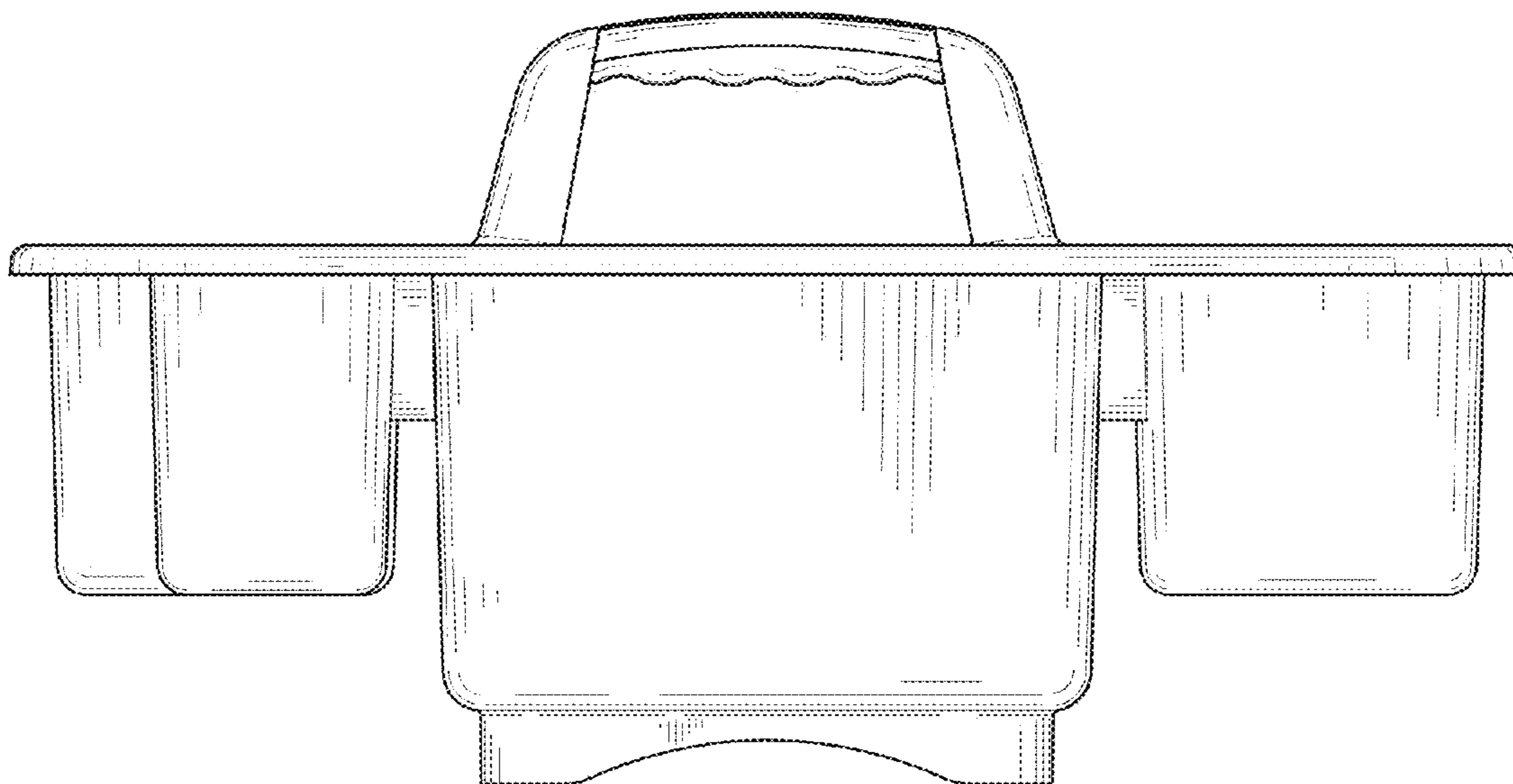


Fig. 4

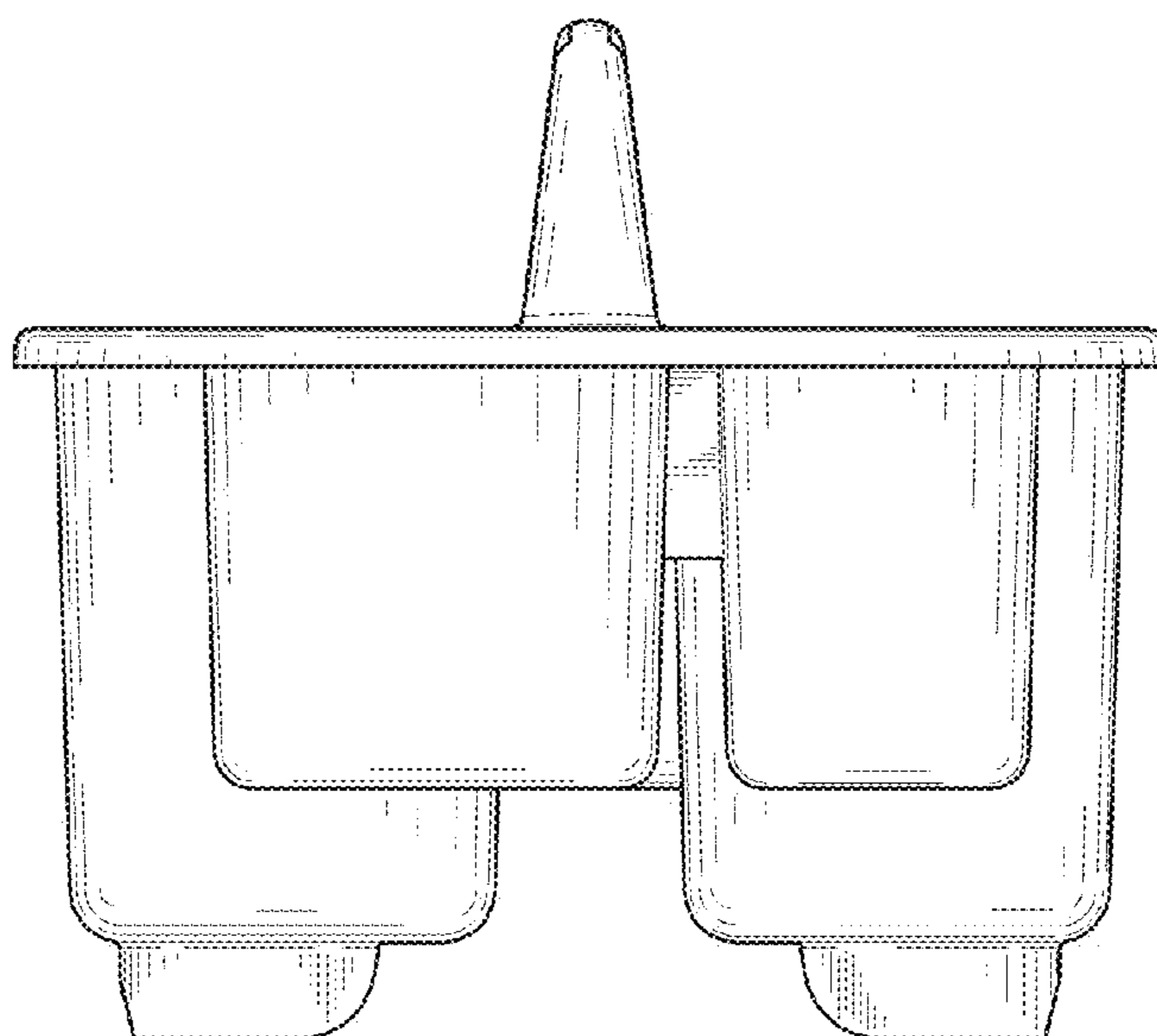


Fig. 5

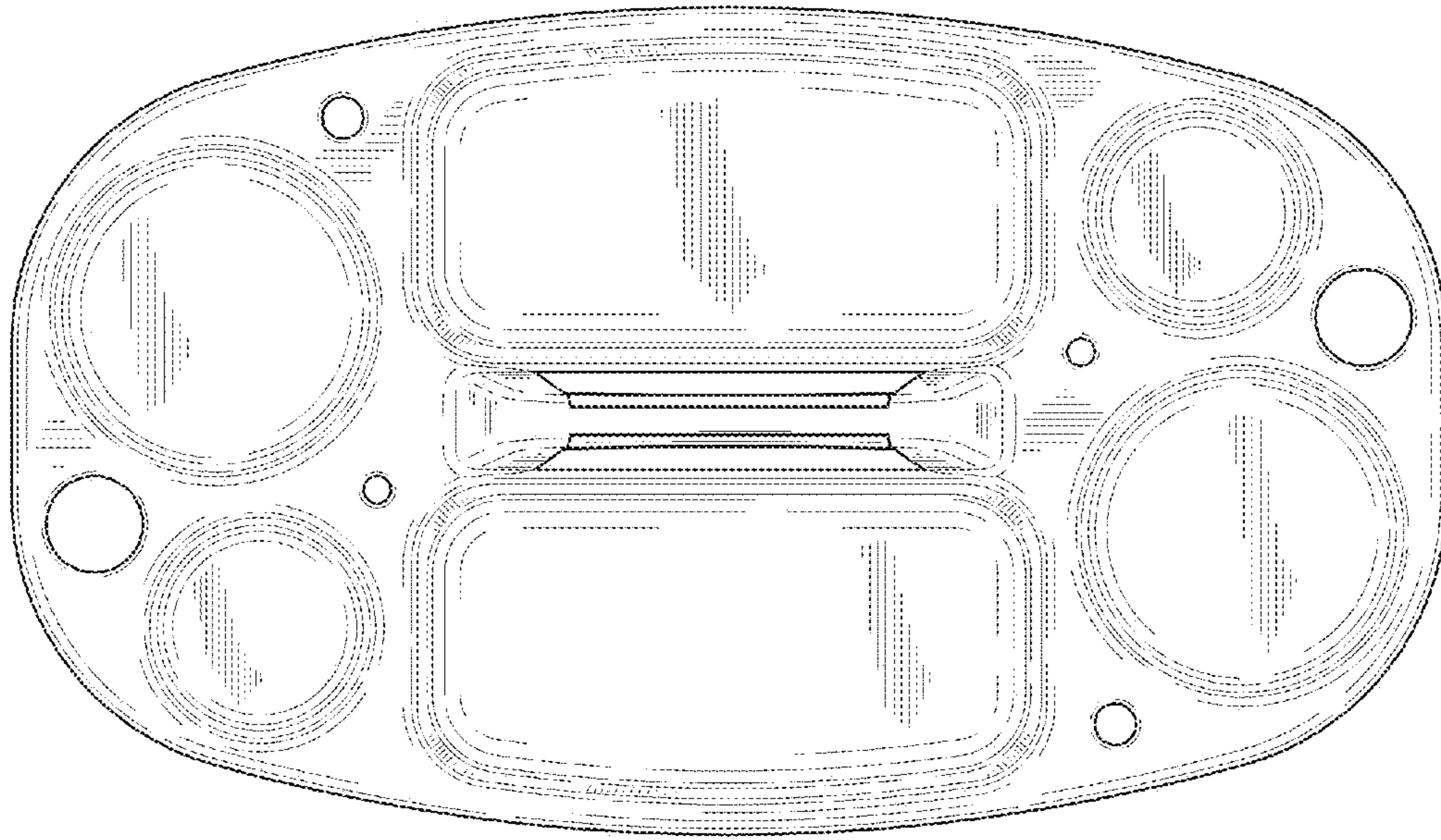


Fig. 6

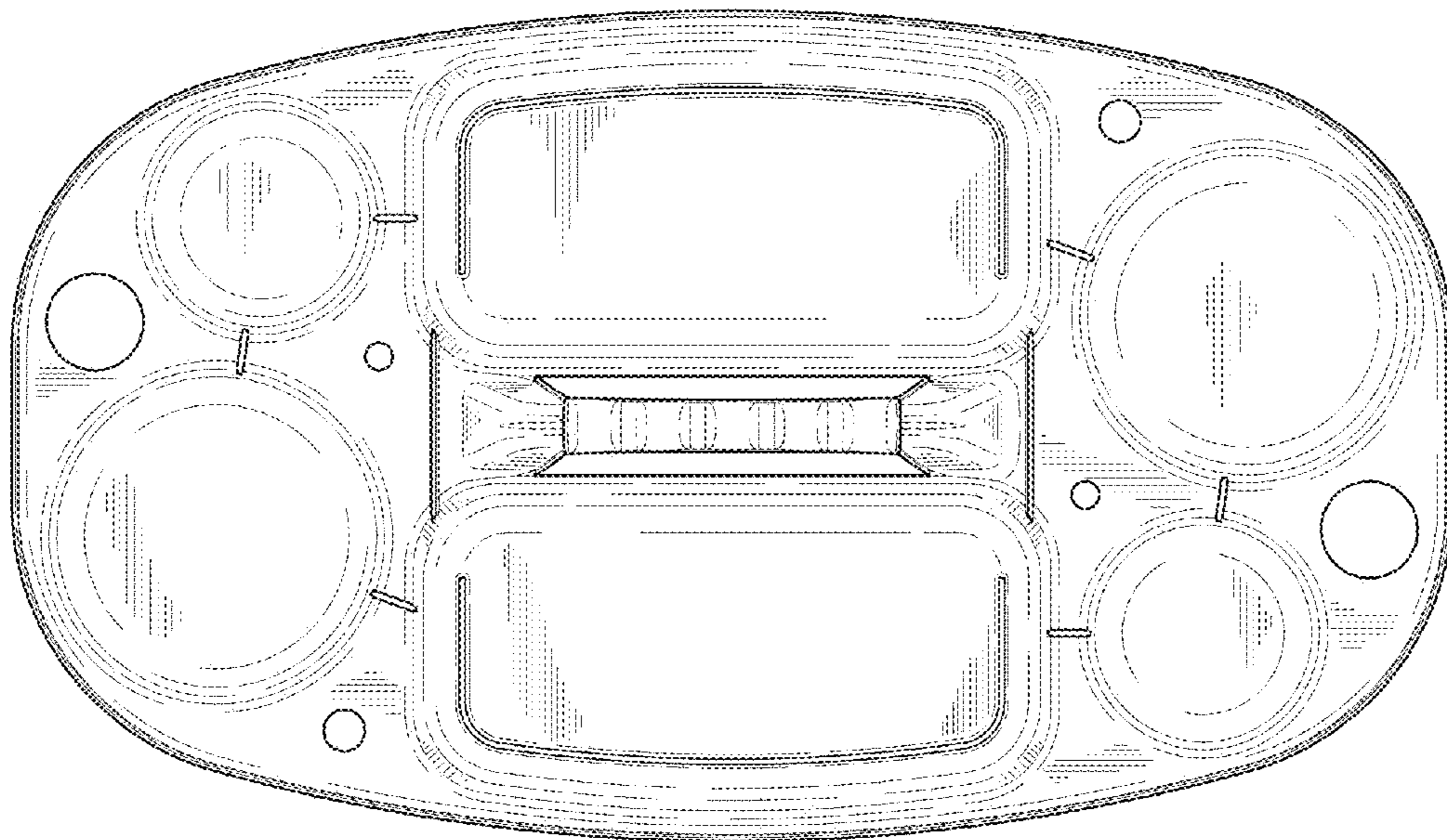


Fig. 7