



US00D704934S

(12) **United States Design Patent**
Blinka et al.

(10) **Patent No.:** **US D704,934 S**

(45) **Date of Patent:** **** May 20, 2014**

(54) **REMOVABLE WATER RESISTANT POUCH FOR ATTACHING TO WADERS**

(71) Applicants: **Michael Blinka**, Richmond, TX (US);
Jacob Andrewson, Katy, TX (US)

(72) Inventors: **Michael Blinka**, Richmond, TX (US);
Jacob Andrewson, Katy, TX (US)

(73) Assignee: **Academy, Ltd.**, Katy, TX (US)

(**) Term: **14 Years**

(21) Appl. No.: **29/437,010**

(22) Filed: **Nov. 12, 2012**

(51) **LOC (10) Cl.** **03-01**

(52) **U.S. Cl.**
USPC **D3/303**

(58) **Field of Classification Search**
USPC D3/201, 207, 212, 215, 227, 247, 266,
D3/300, 303; D9/436, 438, 455, 456, 457,
D9/709, 711; D19/26; D20/40; 40/1.5,
40/124.05, 124.06, 124.16
See application file for complete search history.

(56) **References Cited**

U.S. PATENT DOCUMENTS

3,137,862	A	6/1964	Mizerak	
4,674,628	A *	6/1987	Prinsloo et al.	206/38.1
5,311,690	A *	5/1994	Batten	40/655
D358,475	S *	5/1995	Choksi et al.	D3/227
5,421,032	A	6/1995	Murphy	
D370,119	S *	5/1996	McDaniel	D3/208
D403,856	S *	1/1999	Dobbins	D3/230
D449,732	S *	10/2001	Dorizas	D3/201
6,671,987	B1 *	1/2004	Fenton	40/6
D489,180	S *	5/2004	Kramer	D3/303
D599,409	S *	9/2009	Kan	D20/27
D633,714	S *	3/2011	Marshall	D3/247

D634,117	S *	3/2011	Morrish et al.	D3/207
D646,322	S *	10/2011	Hertrich, Jr.	D19/26
2002/0124294	A1	9/2002	McKenzie et al.	
2006/0027645	A1 *	2/2006	Granick	235/380
2010/0132089	A1	6/2010	Myers	
2010/0259408	A1 *	10/2010	Berger	340/815.4

* cited by examiner

Primary Examiner — Deanna L Pratt

Assistant Examiner — Ieisha Price

(74) *Attorney, Agent, or Firm* — Kirby B. Drake; Klemchuk Kubasta LLP

(57) **CLAIM**

An ornamental design for a removable water resistant pouch for attaching to waders, as shown and described.

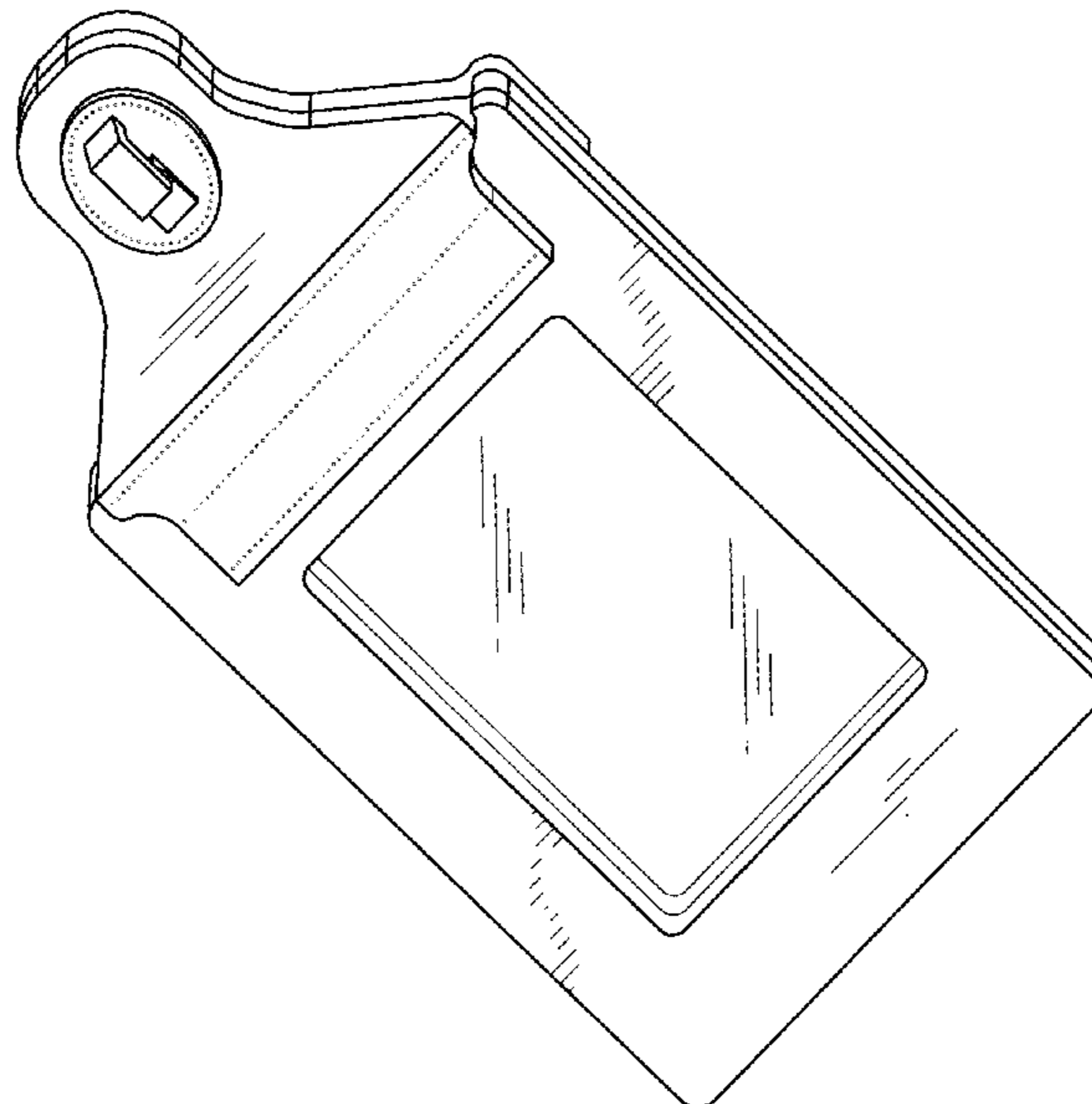
DESCRIPTION

FIG. 1 is a perspective view of a removable water resistant pouch for attaching to waders;
FIG. 2 is a front view thereof;
FIG. 3 is a back view thereof;
FIG. 4 is a right side view thereof;
FIG. 5 is a left side view thereof;
FIG. 6 is a top plan view thereof;
FIG. 7 is a bottom plan view thereof;
FIG. 8 is a back side view of the removable water resistant pouch for attaching to waders, attached to waders; and,
FIG. 9 is a front side view of the removable water resistant pouch for attaching to waders, attached to waders.

It should be understood that the labels used herein for describing orientation (e.g., front, back, top, bottom, right, and left) are merely for reference, and the design may be disposed in any manner and still be within the scope of the present disclosure.

The broken line showing of the waders in FIGS. 8-9 is included for the purpose of illustrating the environment of the claimed design and forms no part thereof.

1 Claim, 5 Drawing Sheets



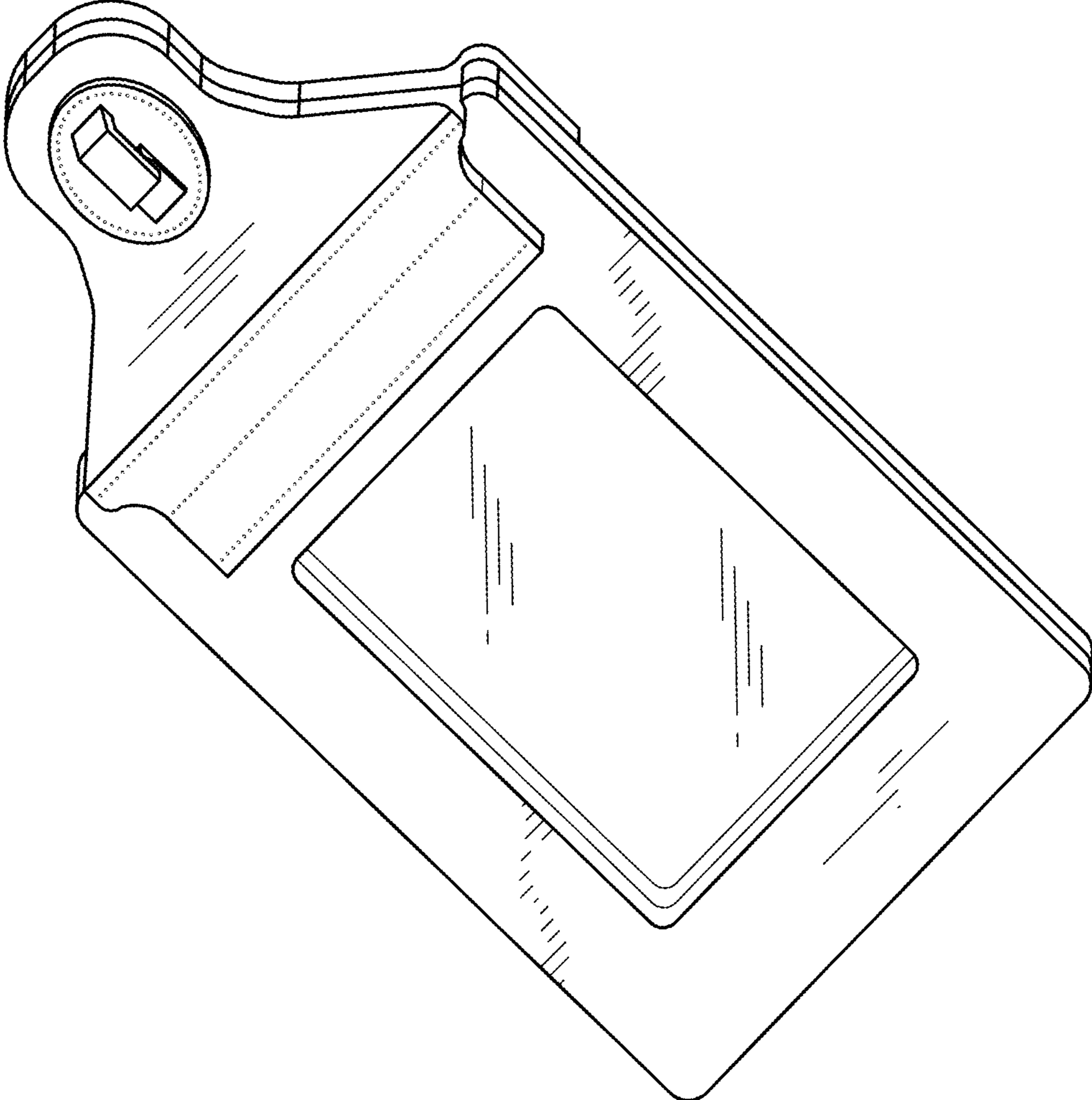


FIG. 1

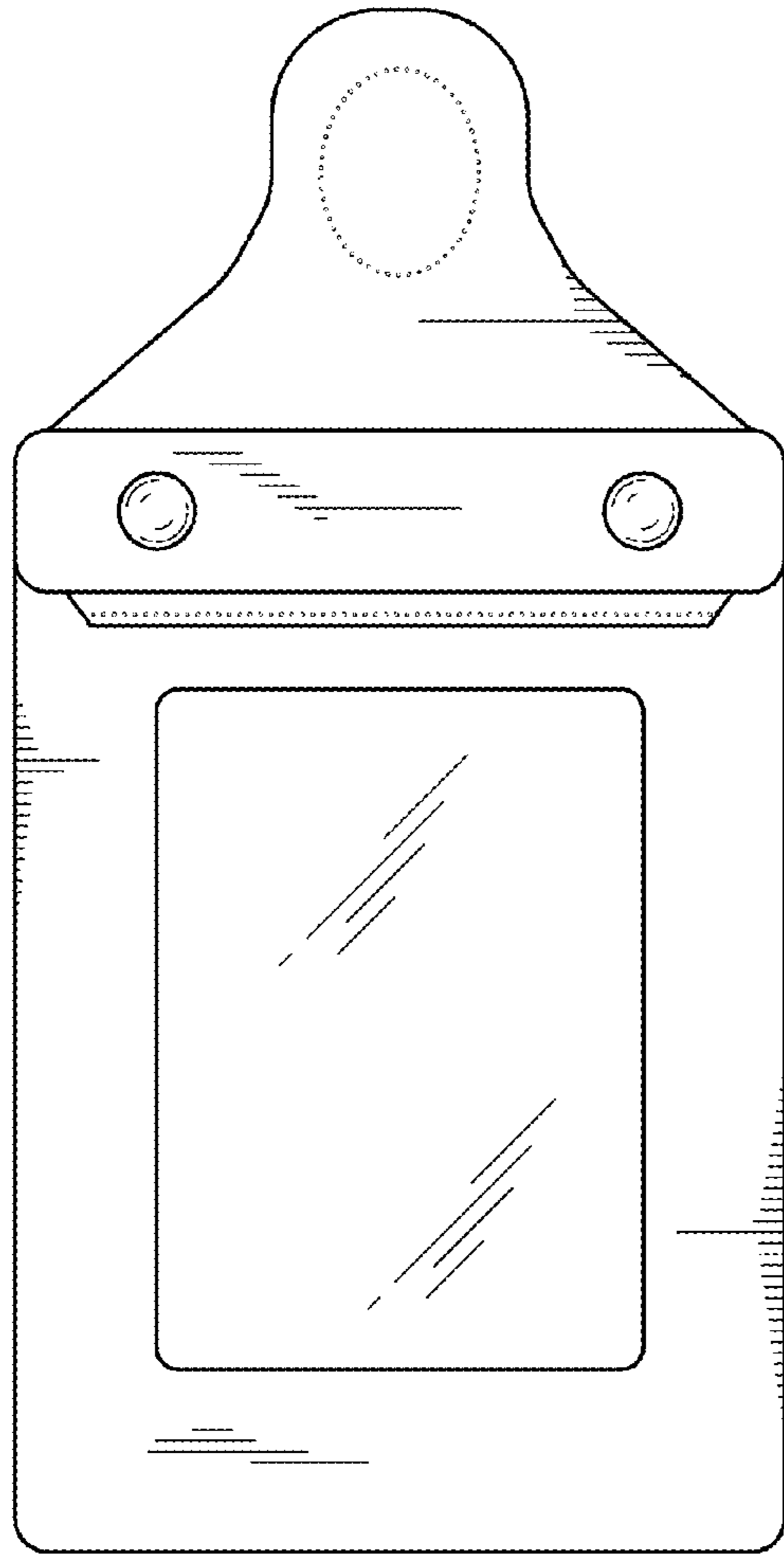


FIG. 2

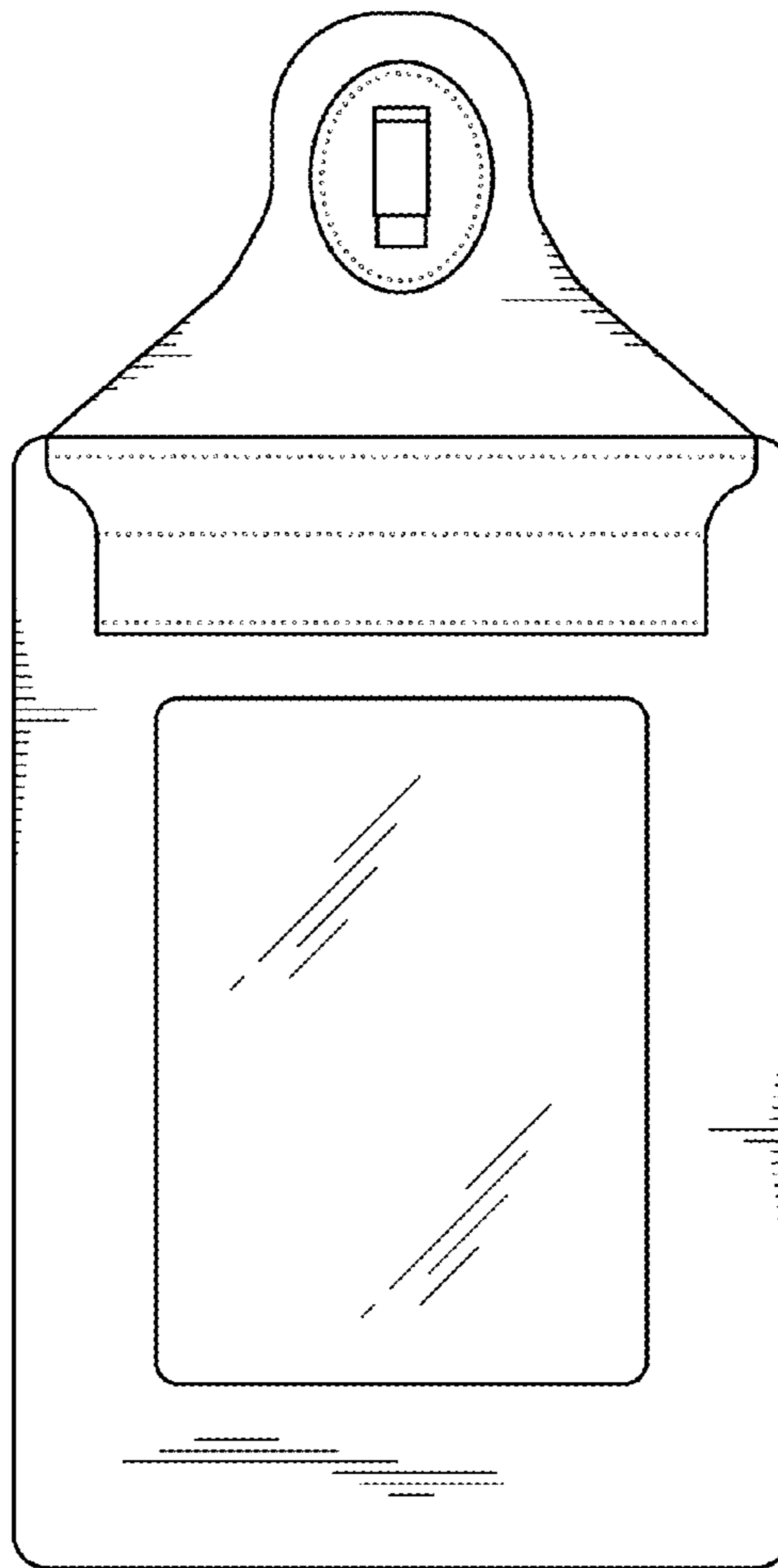


FIG. 3

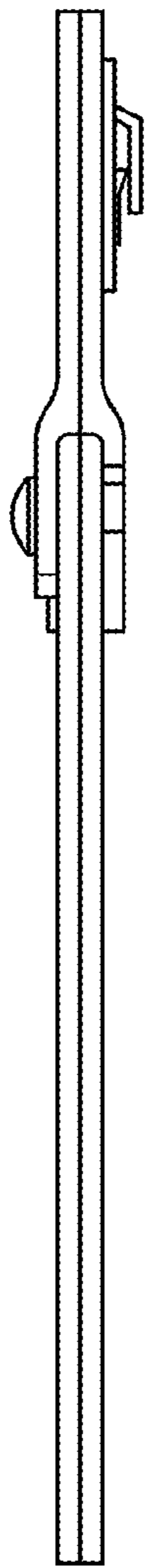


FIG. 4

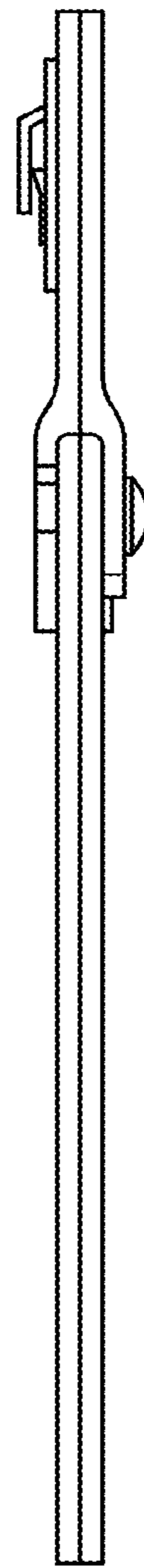


FIG. 5

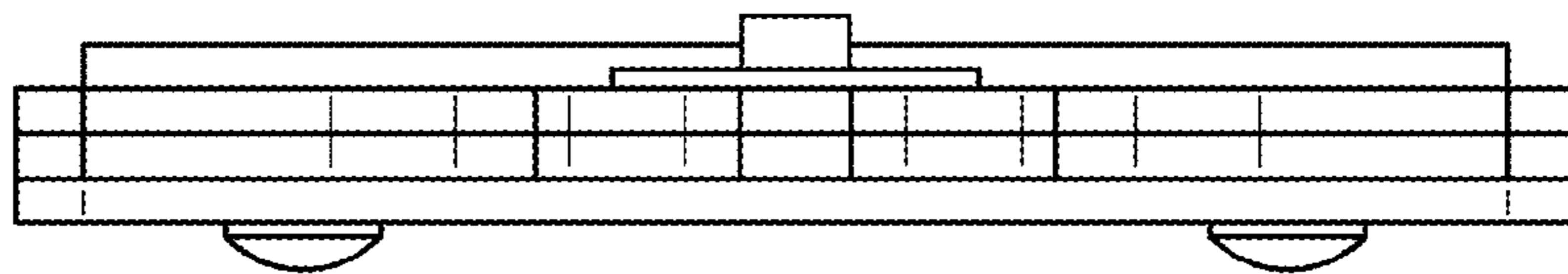


FIG. 6

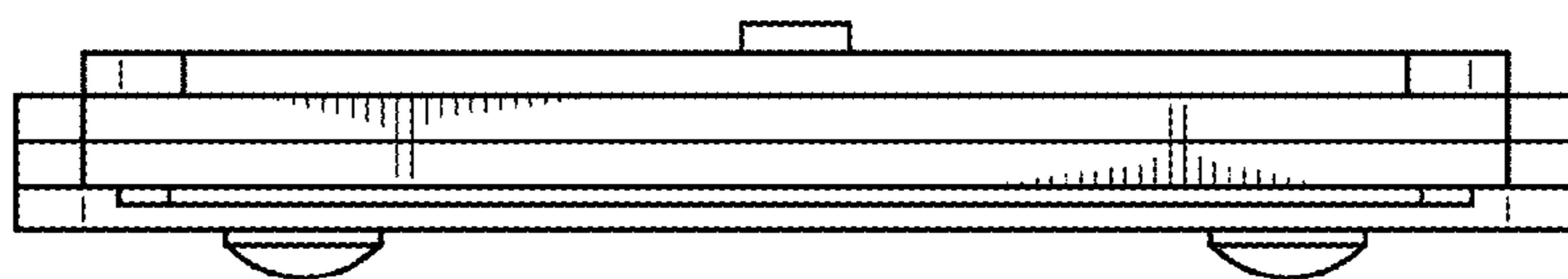


FIG. 7

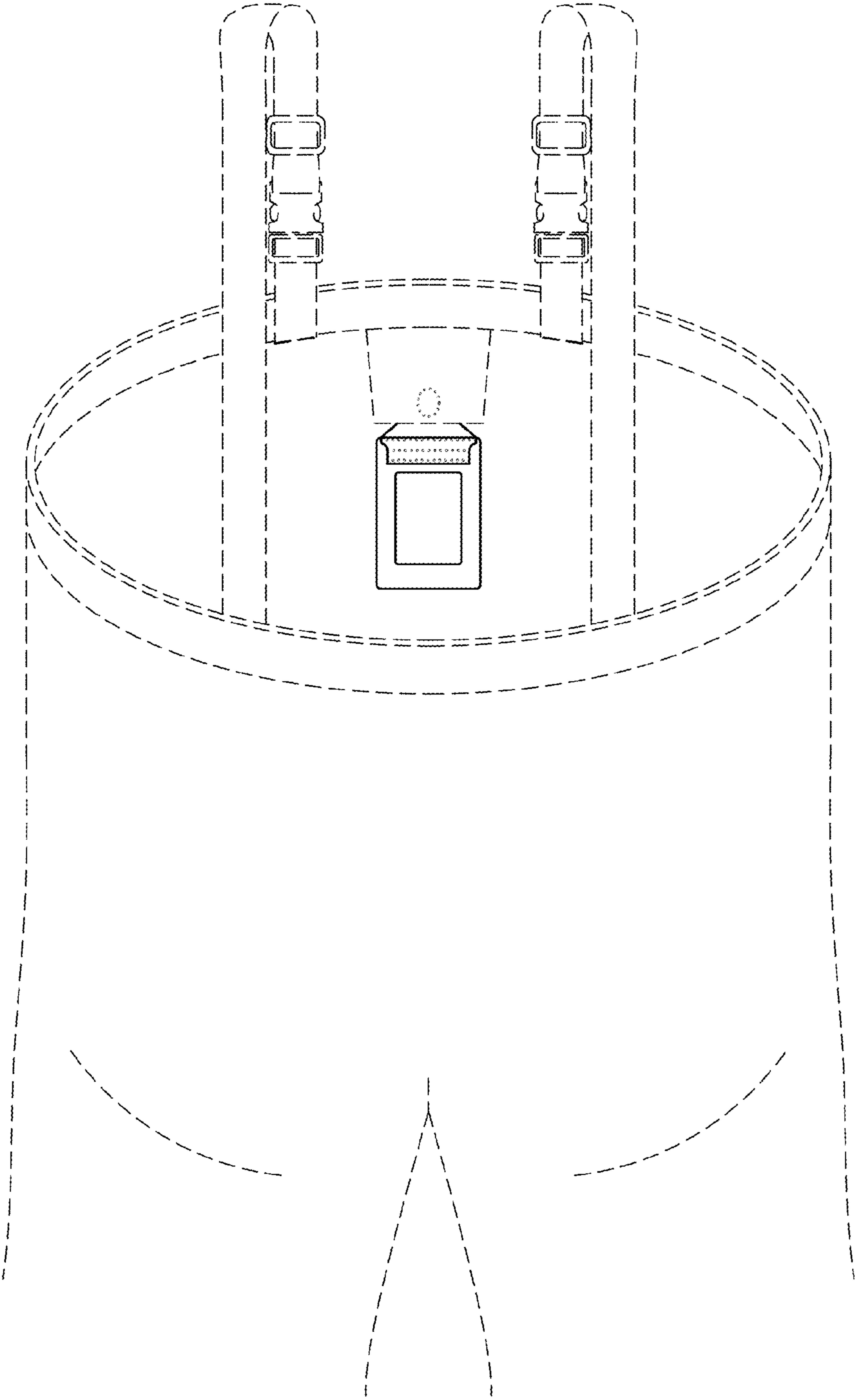


FIG. 8

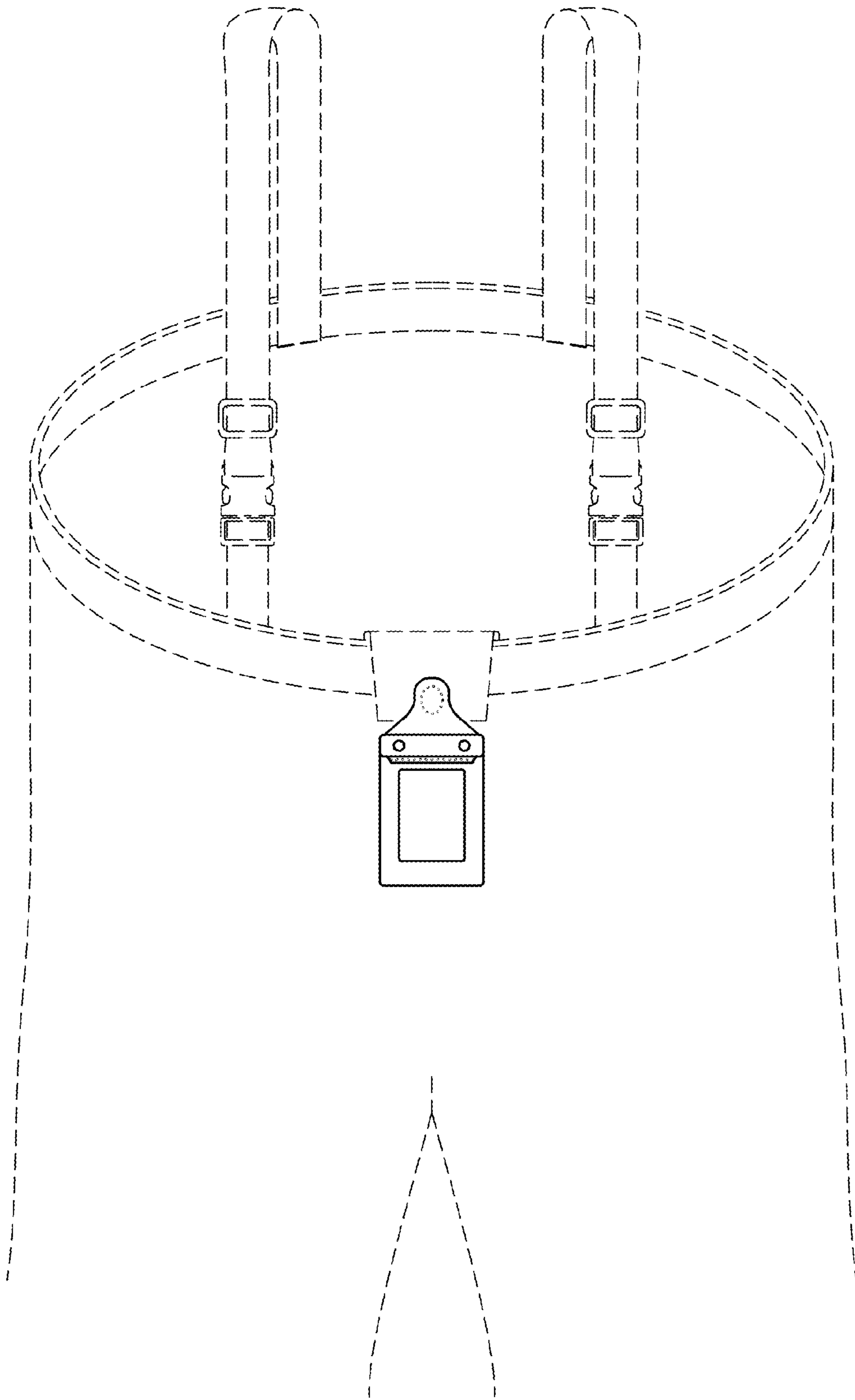


FIG. 9