



US00D704929S

(12) **United States Design Patent**
Chu

(10) **Patent No.:** **US D704,929 S**

(45) **Date of Patent:** **** May 20, 2014**

(54) **WATERPROOF CASE FOR SMART PHONE**
(75) Inventor: **Man Fong Chu**, Hong Kong (HK)
(73) Assignee: **Zear Corporation Limited**, Hong Kong (HK)
(**) Term: **14 Years**
(21) Appl. No.: **29/425,991**

D438,880 S * 3/2001 Katayama D16/204
D464,196 S * 10/2002 Parker D3/273
D465,330 S * 11/2002 Parker D3/273
D465,647 S * 11/2002 Suzuki D3/268
D516,309 S * 3/2006 Richardson et al. D3/273
D530,079 S * 10/2006 Thomas et al. D14/203.3
D551,847 S * 10/2007 Yeap et al. D3/201
D577,904 S * 10/2008 Sasaki D3/201
D607,873 S * 1/2010 Lee D14/203.7
D616,479 S * 5/2010 Ganahl, Jr. D16/204

* cited by examiner

(22) Filed: **Jun. 29, 2012**
(51) **LOC (10) Cl.** **03-01**
(52) **U.S. Cl.**
USPC **D3/201**
(58) **Field of Classification Search**
USPC D3/201, 215, 218–219, 267–269,
D3/272–273, 280–281, 294; D14/203.3,
D14/203.4, 203.7; 206/316.2; 367/131;
345/173
See application file for complete search history.

Primary Examiner — Catheri Oliver-Garcia

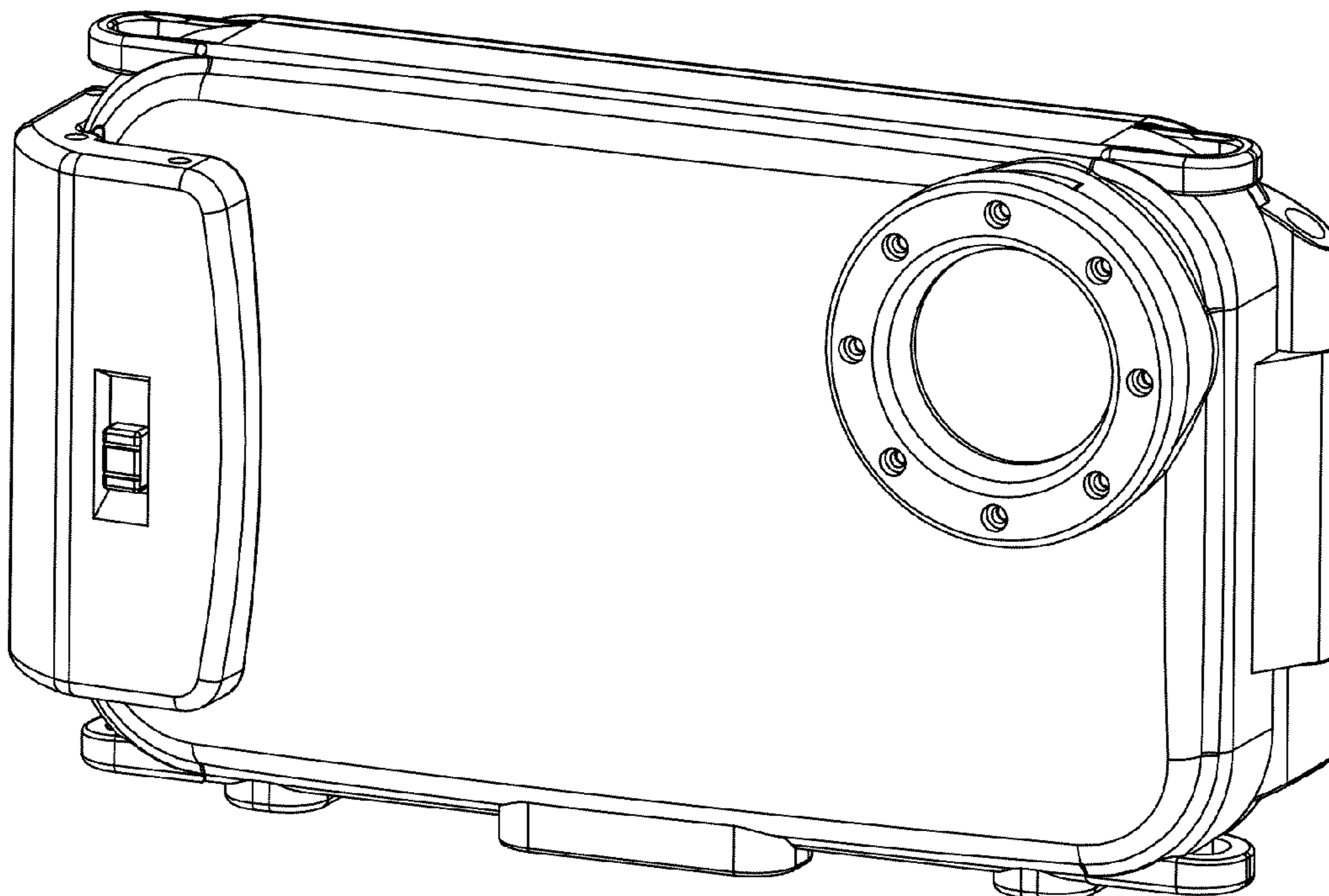
(57) **CLAIM**
The ornamental design for a waterproof case for smart phone,
as shown and described.

(56) **References Cited**
U.S. PATENT DOCUMENTS
D283,137 S * 3/1986 Hamar D3/272
D283,138 S * 3/1986 Hamar D3/272
D335,764 S * 5/1993 VanSkiver D3/267
D419,296 S * 1/2000 Shinano D3/267

DESCRIPTION

FIG. 1 is a front view of a waterproof case for smart phone of my new design;
FIG. 2 is a rear view thereof;
FIG. 3 is a left view thereof;
FIG. 4 is a right view thereof;
FIG. 5 is a top view thereof;
FIG. 6 is a bottom view thereof;
FIG. 7 is a front perspective view thereof; and,
FIG. 8 is a rear perspective view thereof.

1 Claim, 8 Drawing Sheets



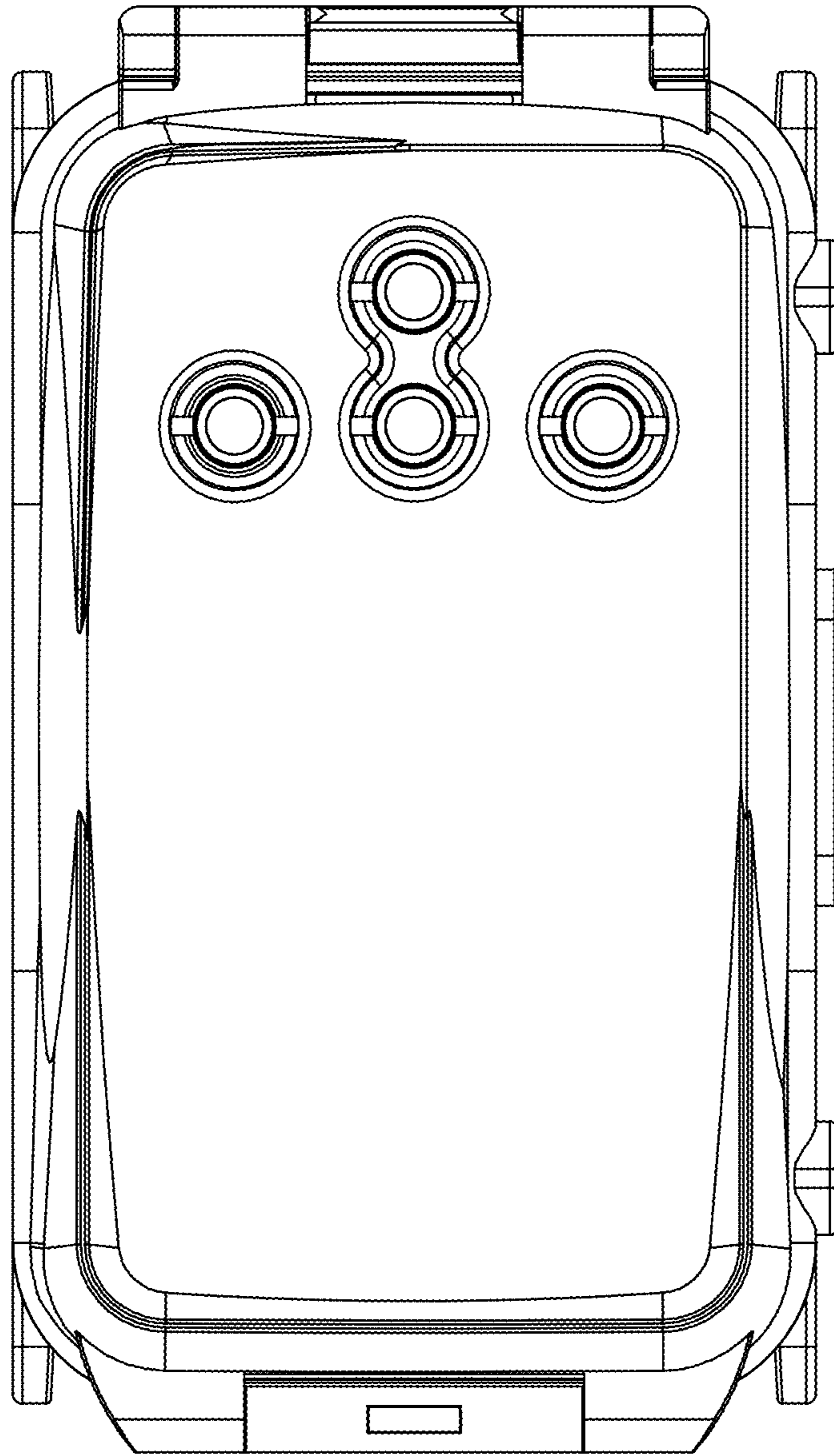


Fig. 1

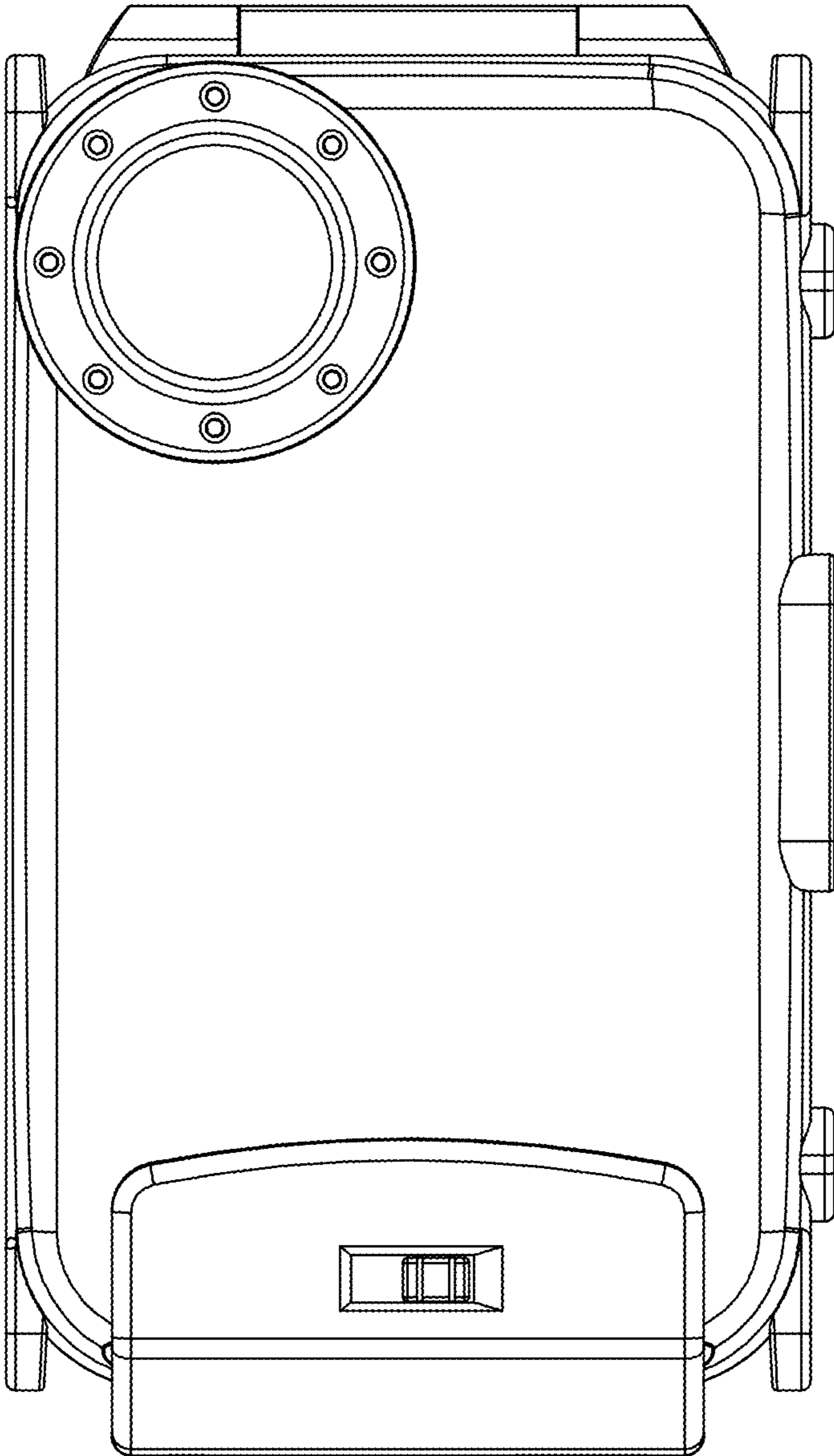


Fig. 2

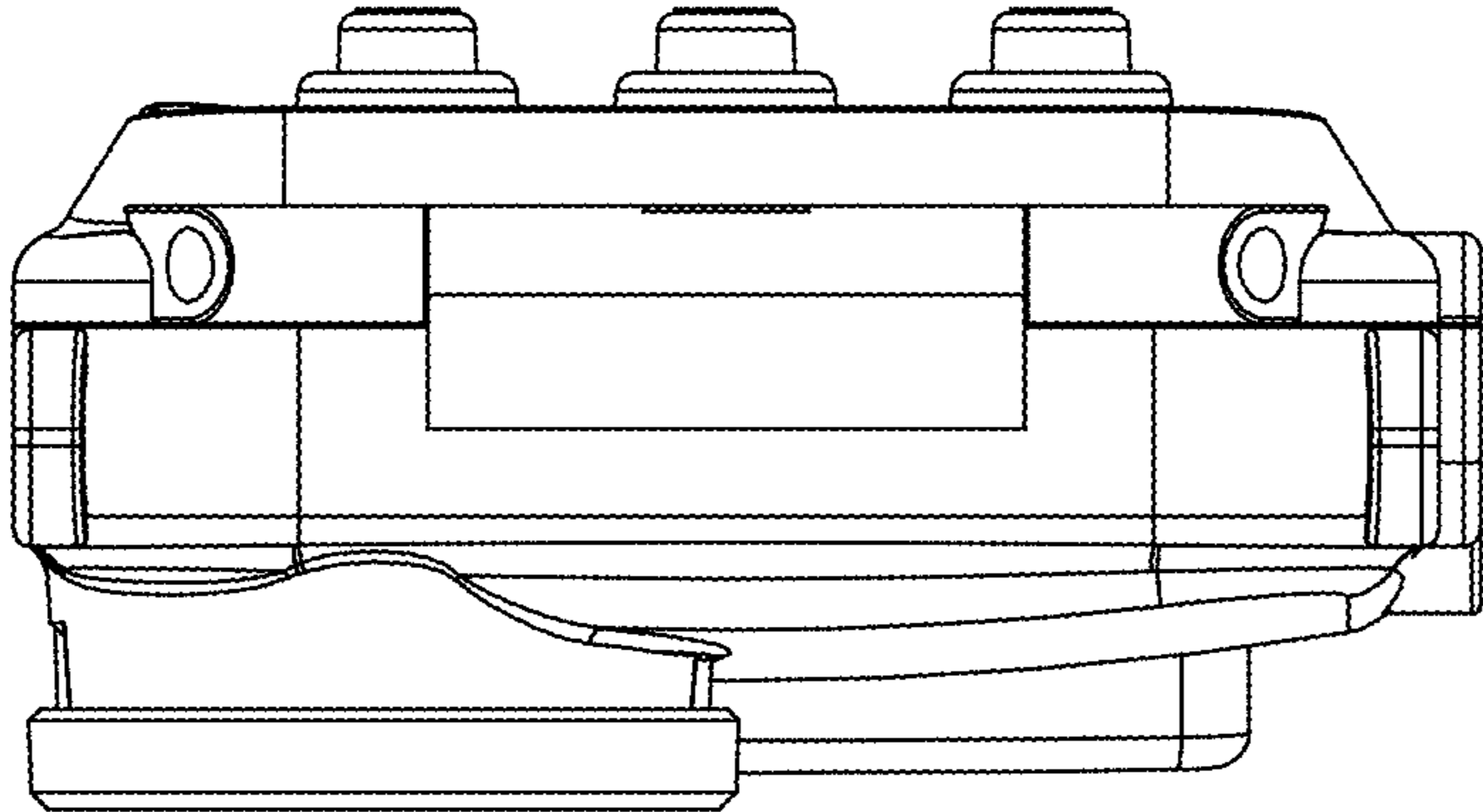


Fig. 3

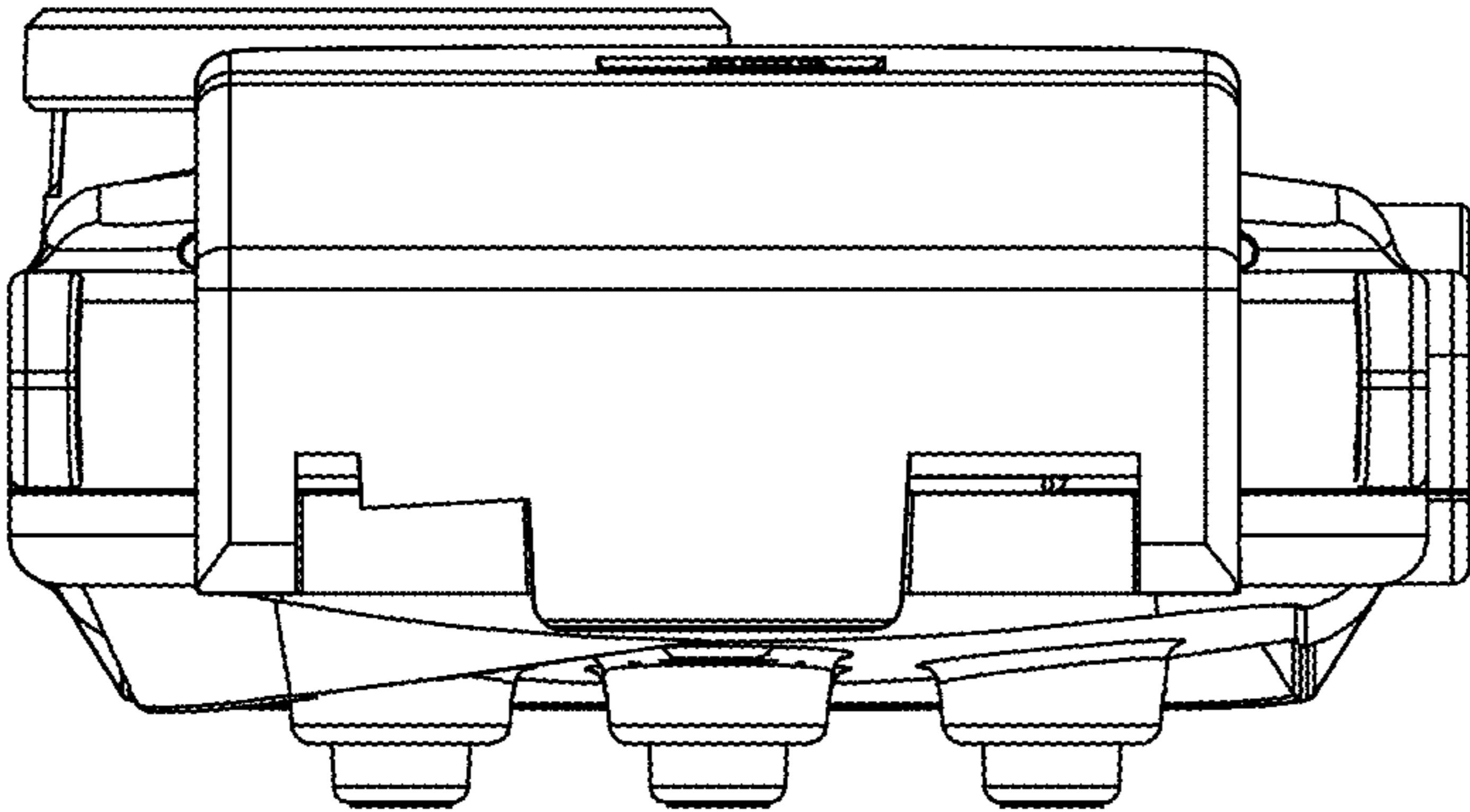


Fig. 4

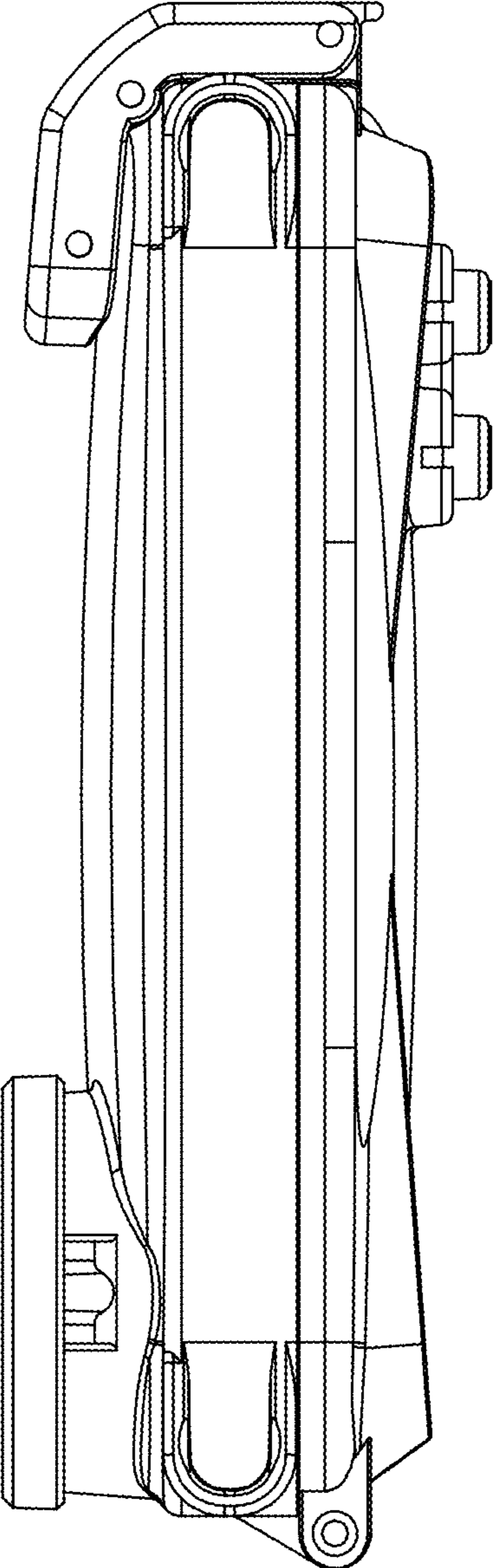


Fig. 5

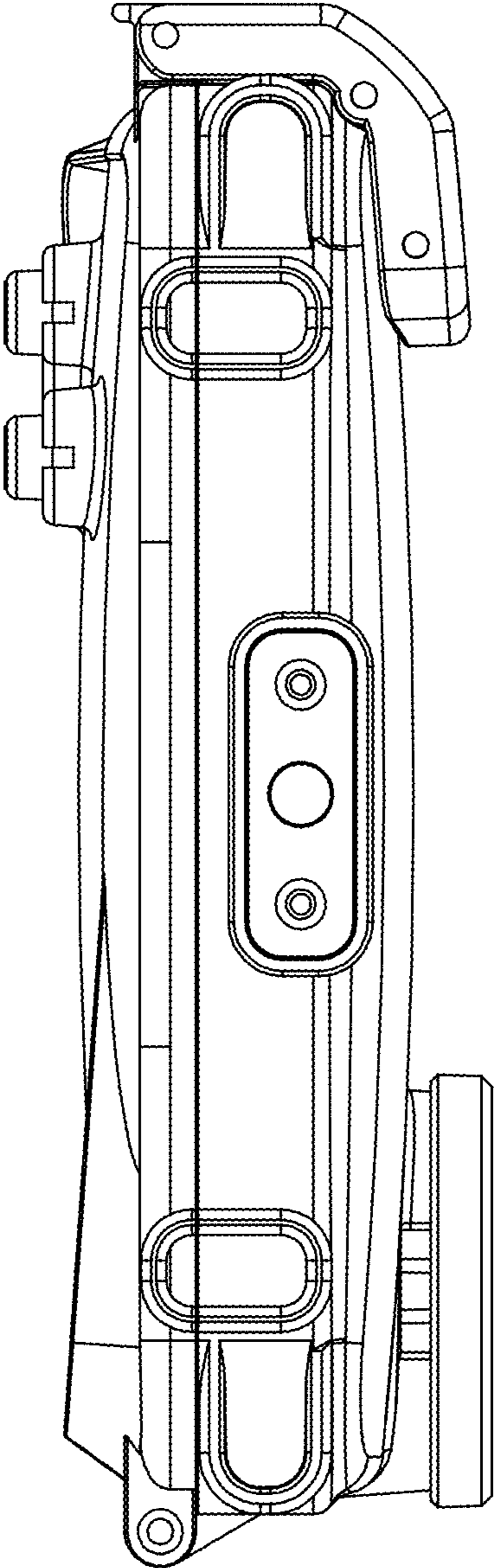


Fig. 6

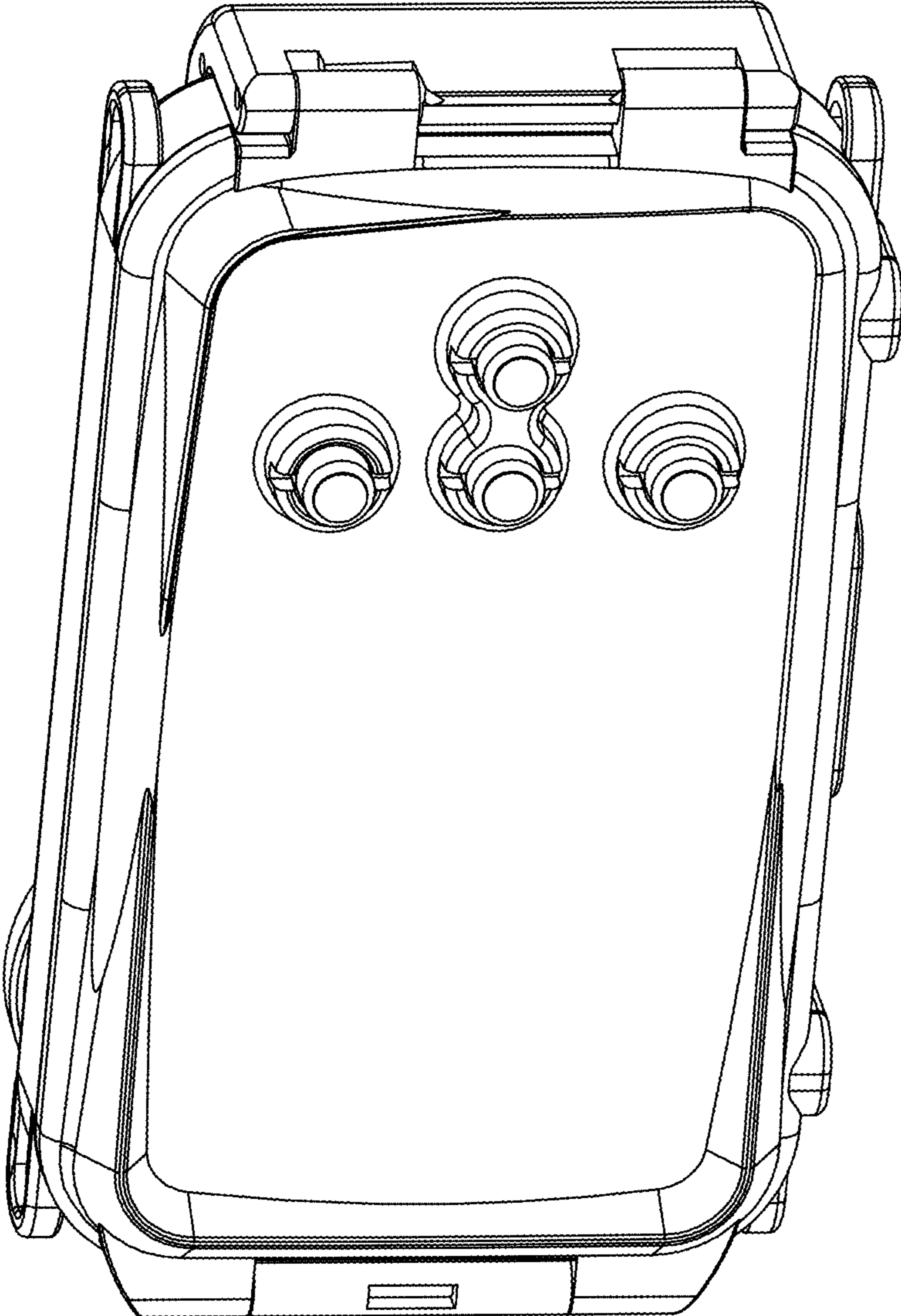


Fig. 7

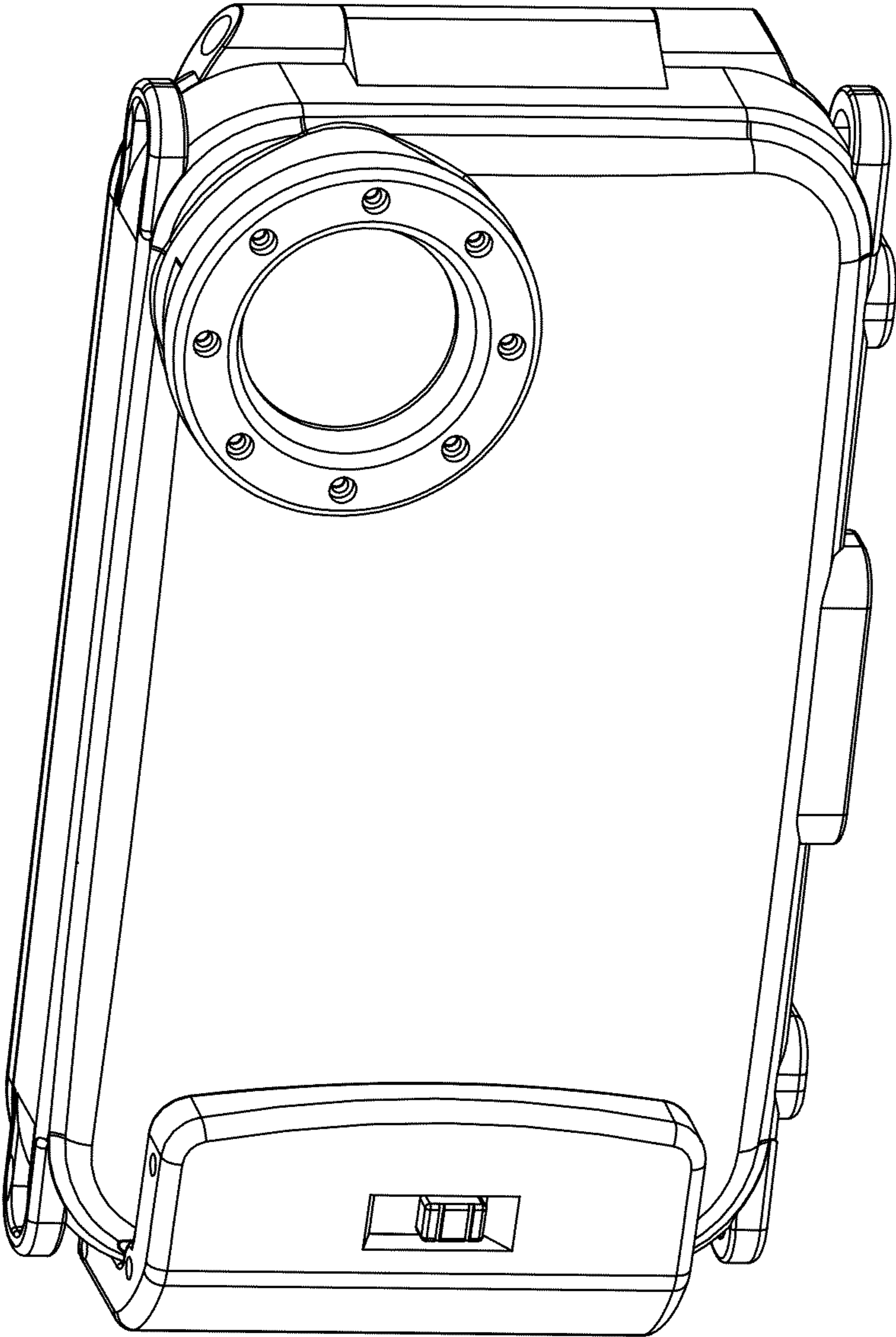


Fig. 8