



US00D704925S

(12) **United States Design Patent**  
**Cho**

(10) **Patent No.:** **US D704,925 S**  
(45) **Date of Patent:** **\*\* May 20, 2014**

- (54) **CAP**
- (75) **Inventor:** **Byoung-Woo Cho**, Seoul (KR)
- (73) **Assignee:** **Yupoong, Inc.** (KR)
- (\*\*) **Term:** **14 Years**
- (21) **Appl. No.:** **29/431,845**
- (22) **Filed:** **Sep. 11, 2012**
- (51) **LOC (10) Cl.** ..... **02-03**
- (52) **U.S. Cl.**  
USPC ..... **D2/882**
- (58) **Field of Classification Search**  
USPC ..... D2/865, 866, 872, 878, 879, 882, 883,  
D2/884, 886, 887, 888, 891, 892; 2/171,  
2/171.5, 171.6, 171.7, 171.8, 175.1, 183,  
2/195.1, 195.2, 209.12, 209.13, 209.3,  
2/209.4, 209.5, 209.7  
See application file for complete search history.

D669,252 S *	10/2012	Rogers	.....	D2/882
D671,716 S *	12/2012	Lam et al.	.....	D2/882
D684,753 S *	6/2013	Arenson et al.	.....	D2/866
2005/0235395 A1 *	10/2005	Tseng	.....	2/175.1
2006/0107440 A1 *	5/2006	Keffer	.....	2/175.1

**FOREIGN PATENT DOCUMENTS**

KR	300693929	*	5/2013
KR	300693931	*	5/2013

\* cited by examiner

*Primary Examiner* — Karen E Eldridge Powers

(74) *Attorney, Agent, or Firm* — Fellers, Snider, Blankenship, Bailey & Tippens, P.C.

(57) **CLAIM**

The ornamental design for a cap, as shown and described.

**DESCRIPTION**

FIG. 1 is a perspective view of the cap showing my design;  
 FIG. 2 is a front elevation view thereof;  
 FIG. 3 is a rear elevation view thereof;  
 FIG. 4 is a left side elevation view thereof;  
 FIG. 5 is a right side elevation view thereof;  
 FIG. 6 is a top plan view thereof;  
 FIG. 7 is a bottom plan view thereof; and,  
 FIG. 8 is a rear perspective view thereof.

The features shown in broken lines in the drawings form no part of the claimed design.

**1 Claim, 8 Drawing Sheets**

- (56) **References Cited**  
U.S. PATENT DOCUMENTS
- |                |        |               |       |         |
|----------------|--------|---------------|-------|---------|
| D397,239 S *   | 8/1998 | Marrs         | ..... | D2/882  |
| D429,404 S *   | 8/2000 | DeChambeau    | ..... | D2/866  |
| 6,170,086 B1 * | 1/2001 | Lee           | ..... | 2/195.3 |
| 6,385,776 B2 * | 5/2002 | Lindsay       | ..... | 2/171.1 |
| D514,281 S     | 2/2006 | Cho           |       |         |
| D517,285 S *   | 3/2006 | Williams, Jr. | ..... | D2/872  |
| D520,716 S     | 5/2006 | Cho           |       |         |
| D591,485 S     | 5/2009 | Cho           |       |         |
| D635,336 S *   | 4/2011 | Alger         | ..... | D2/866  |

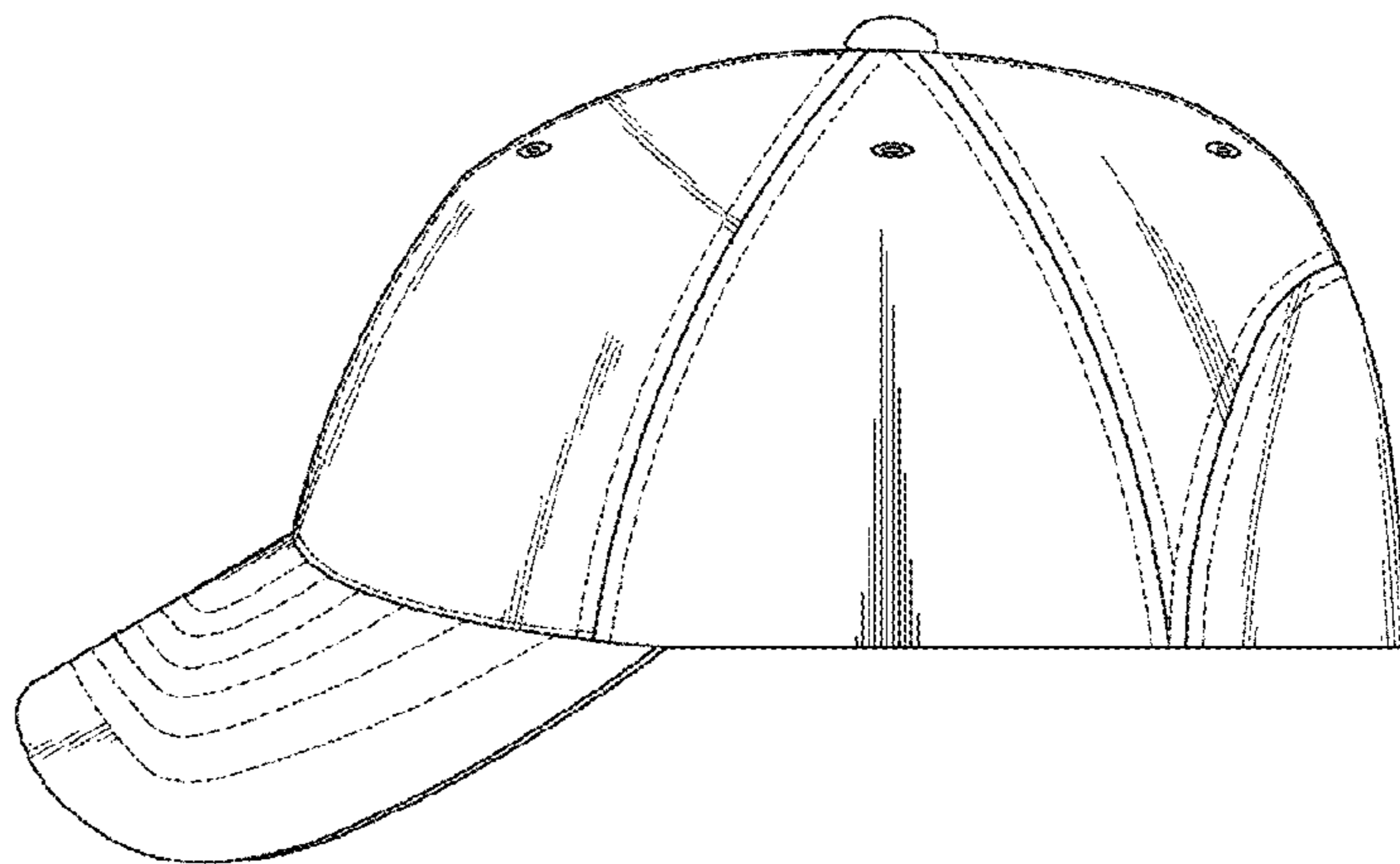
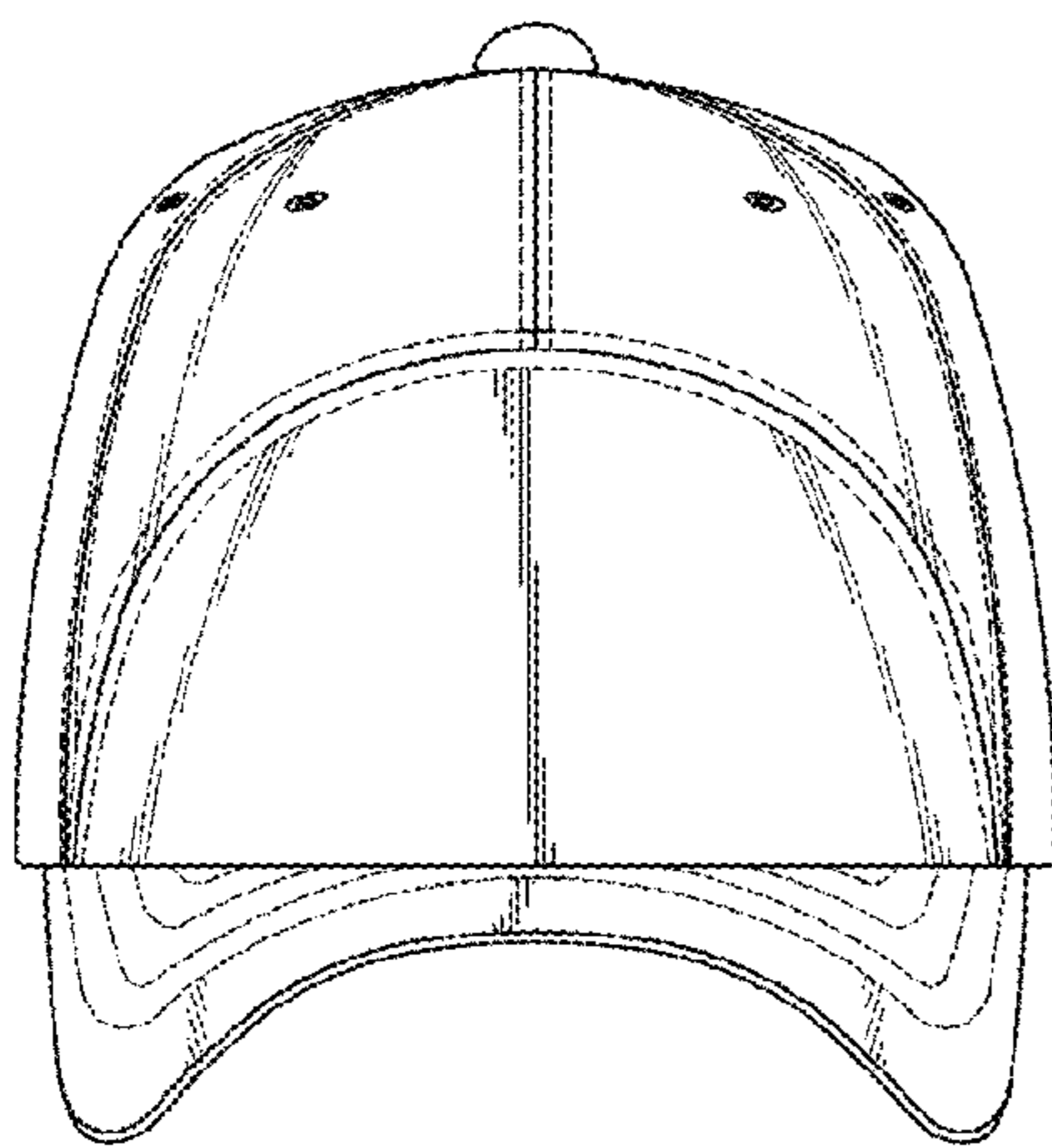


FIG. 1

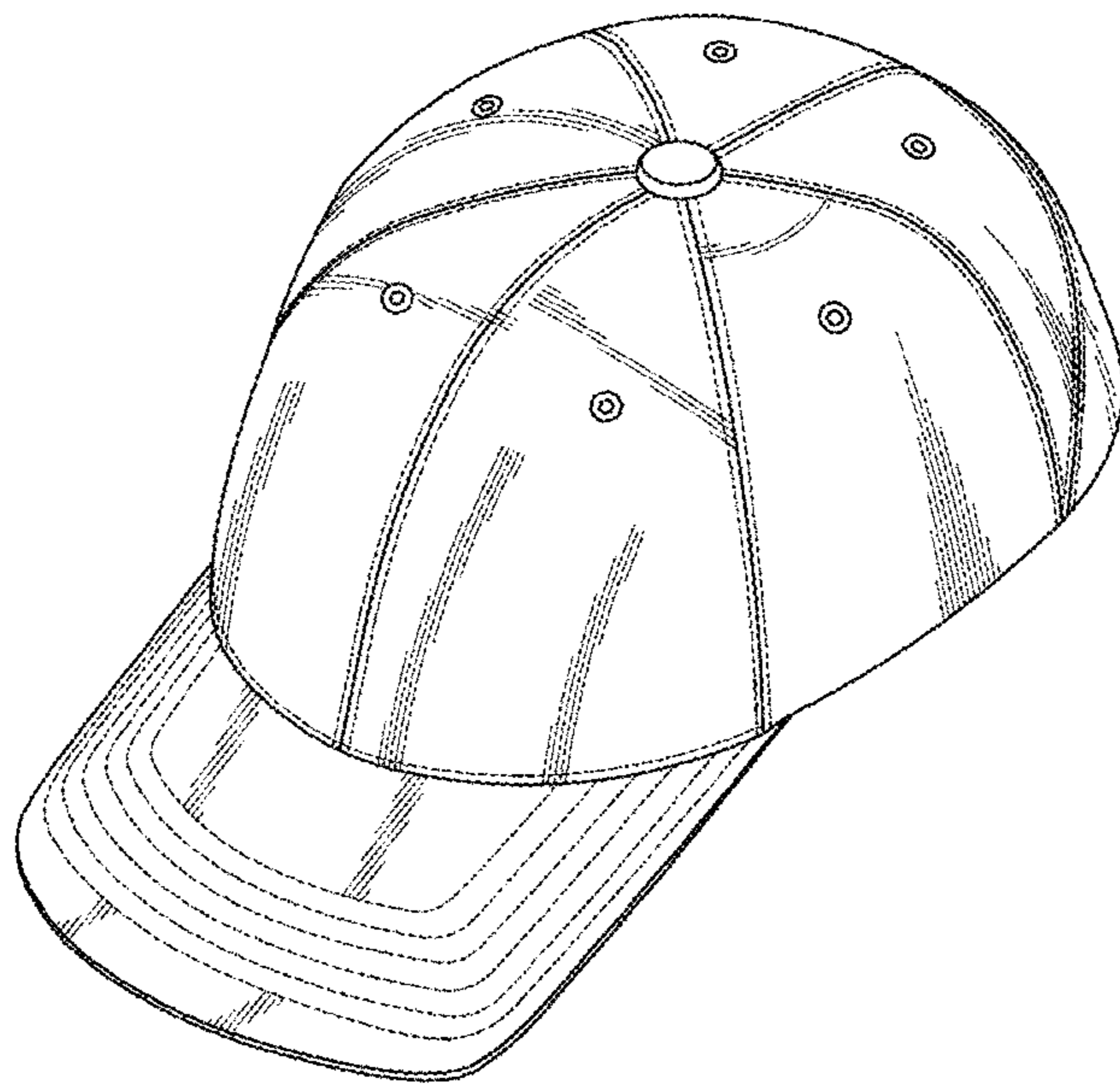


FIG. 2

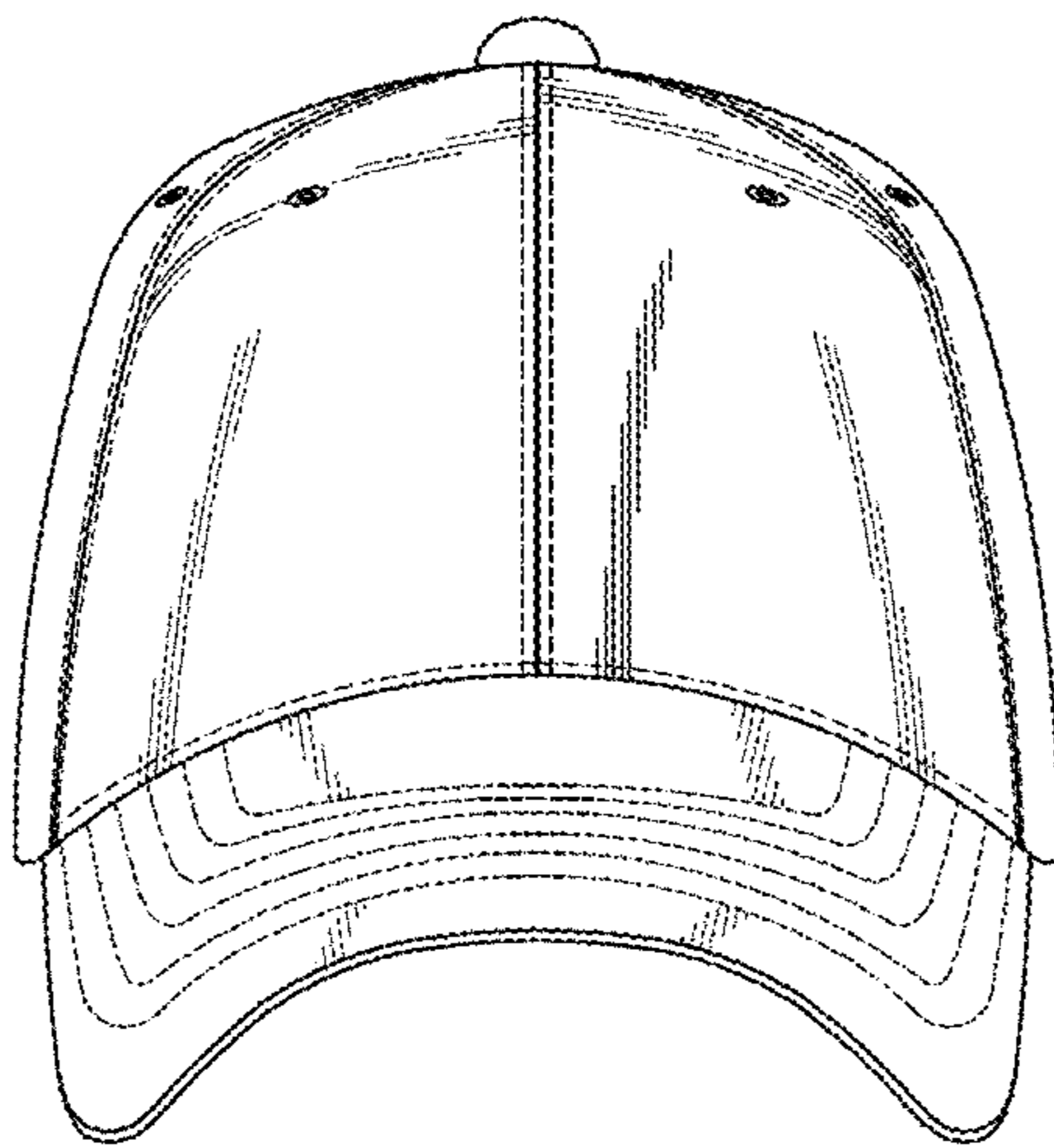


FIG. 3

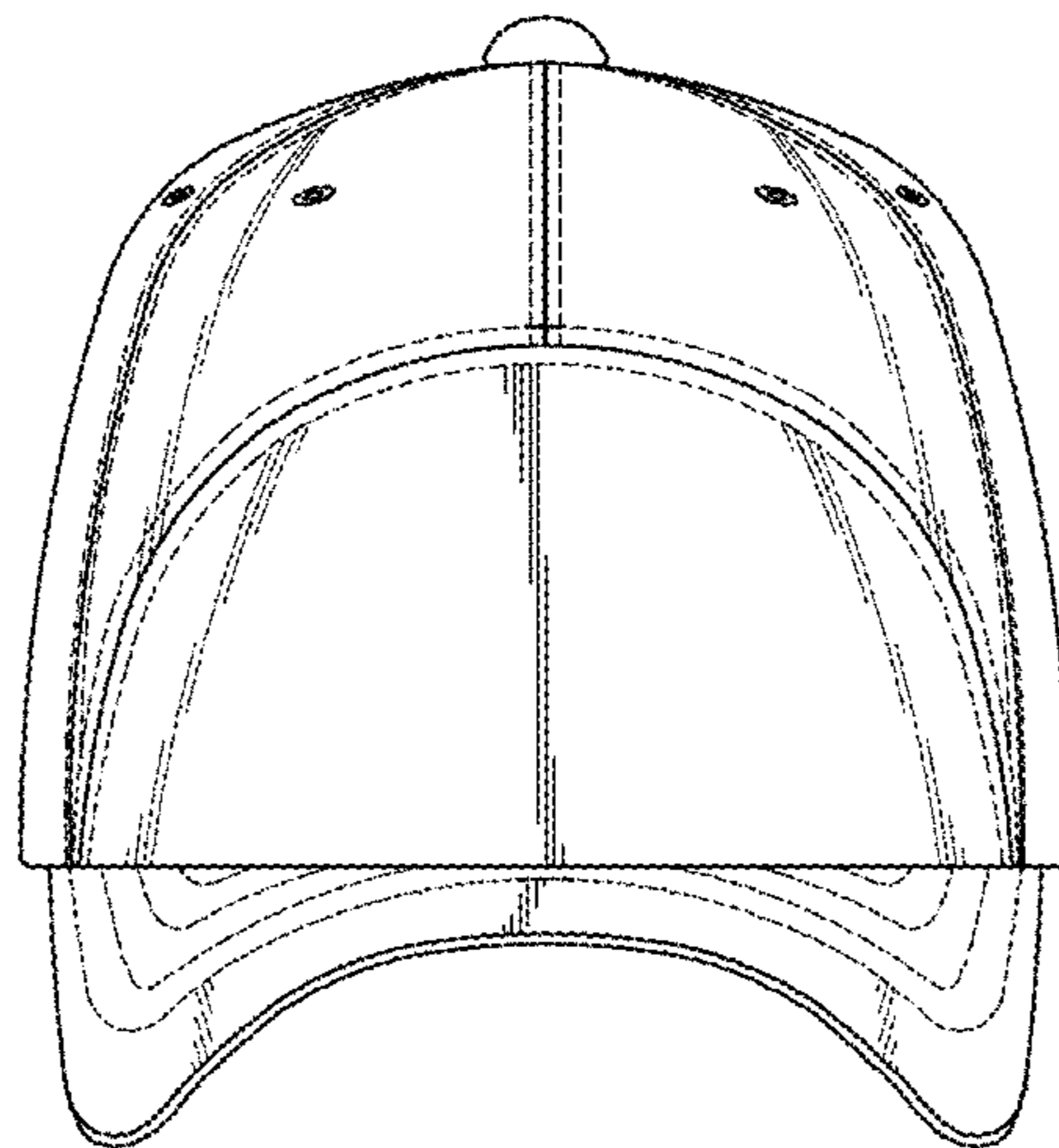


FIG. 4

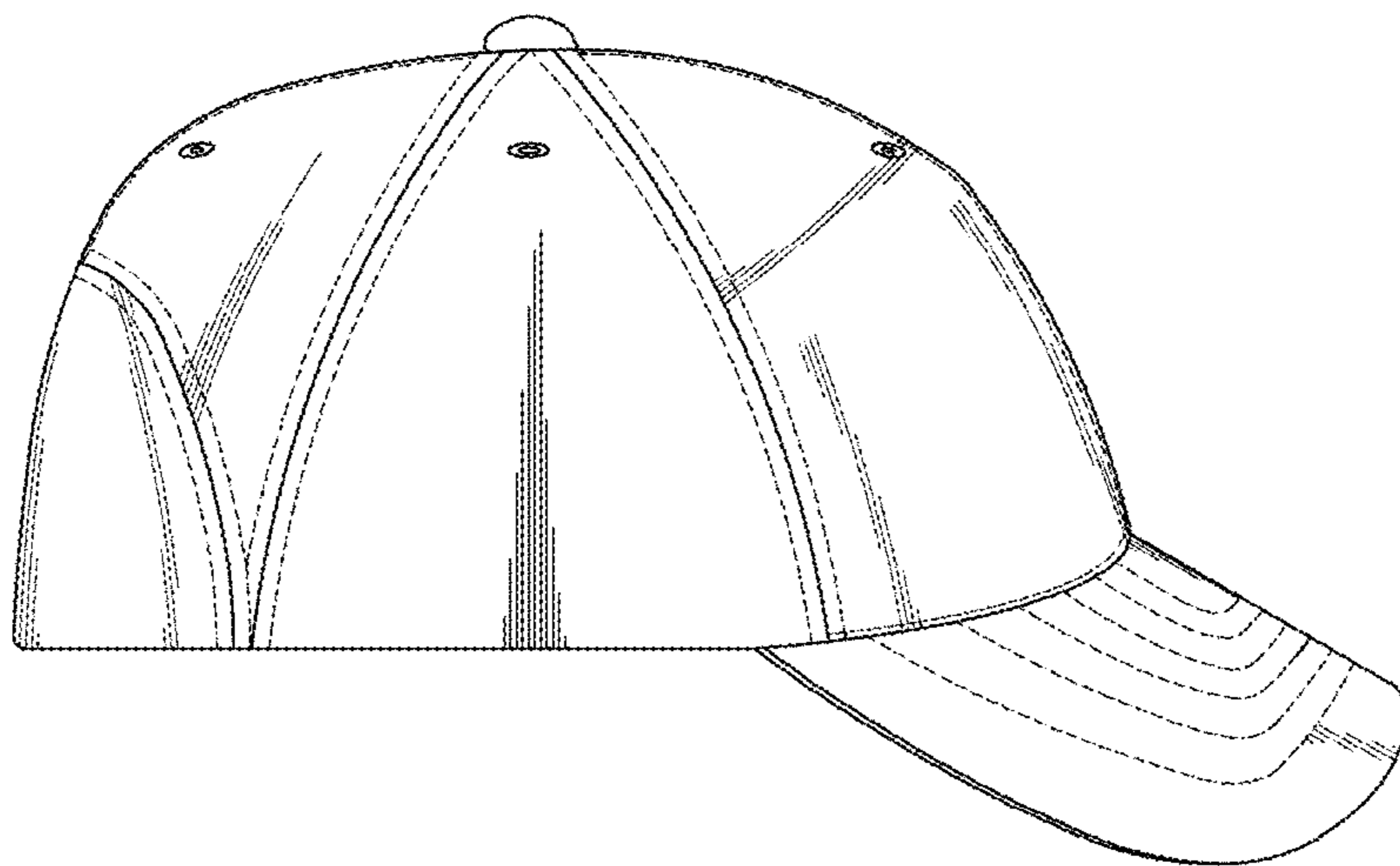


FIG. 5

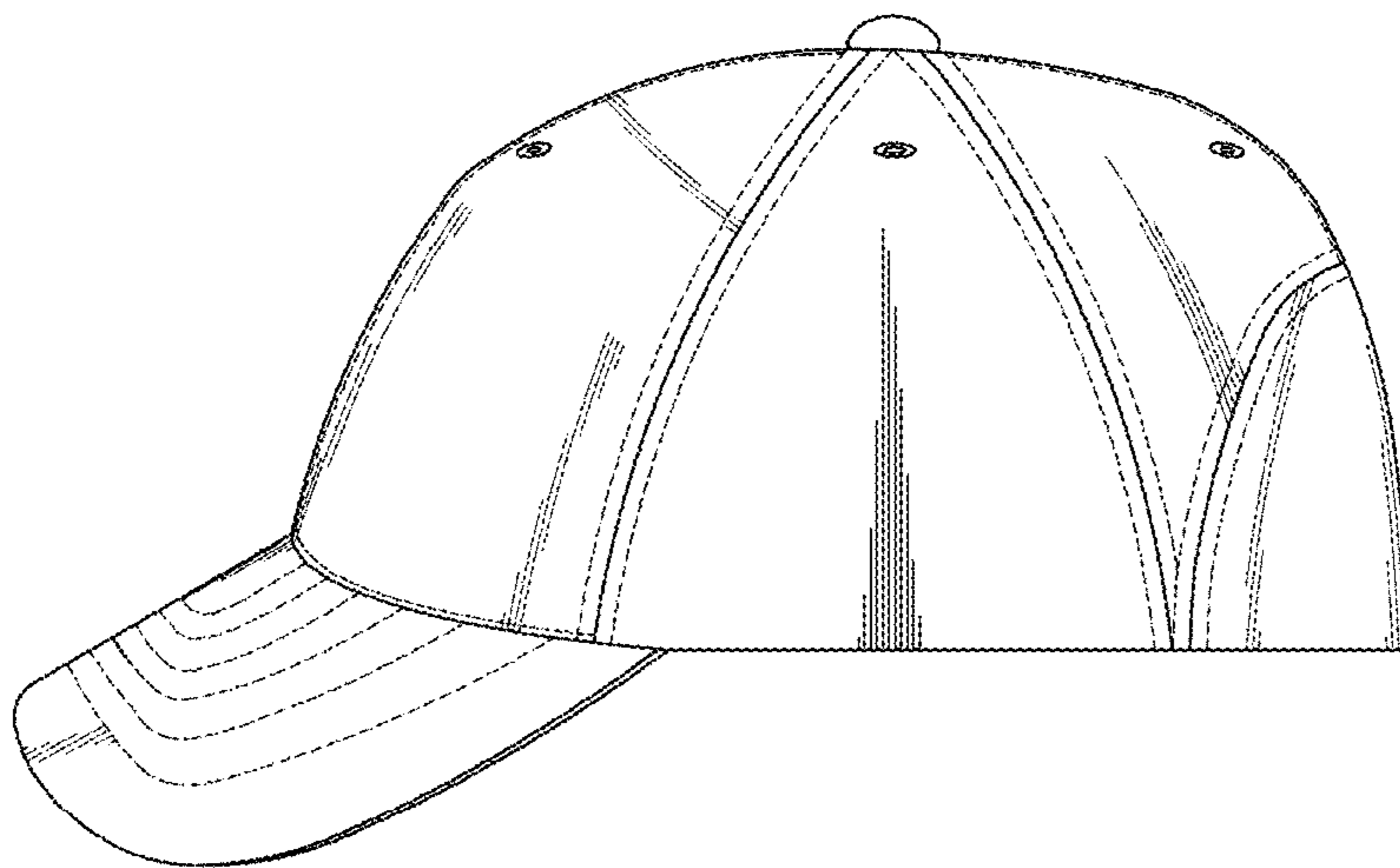


FIG. 6

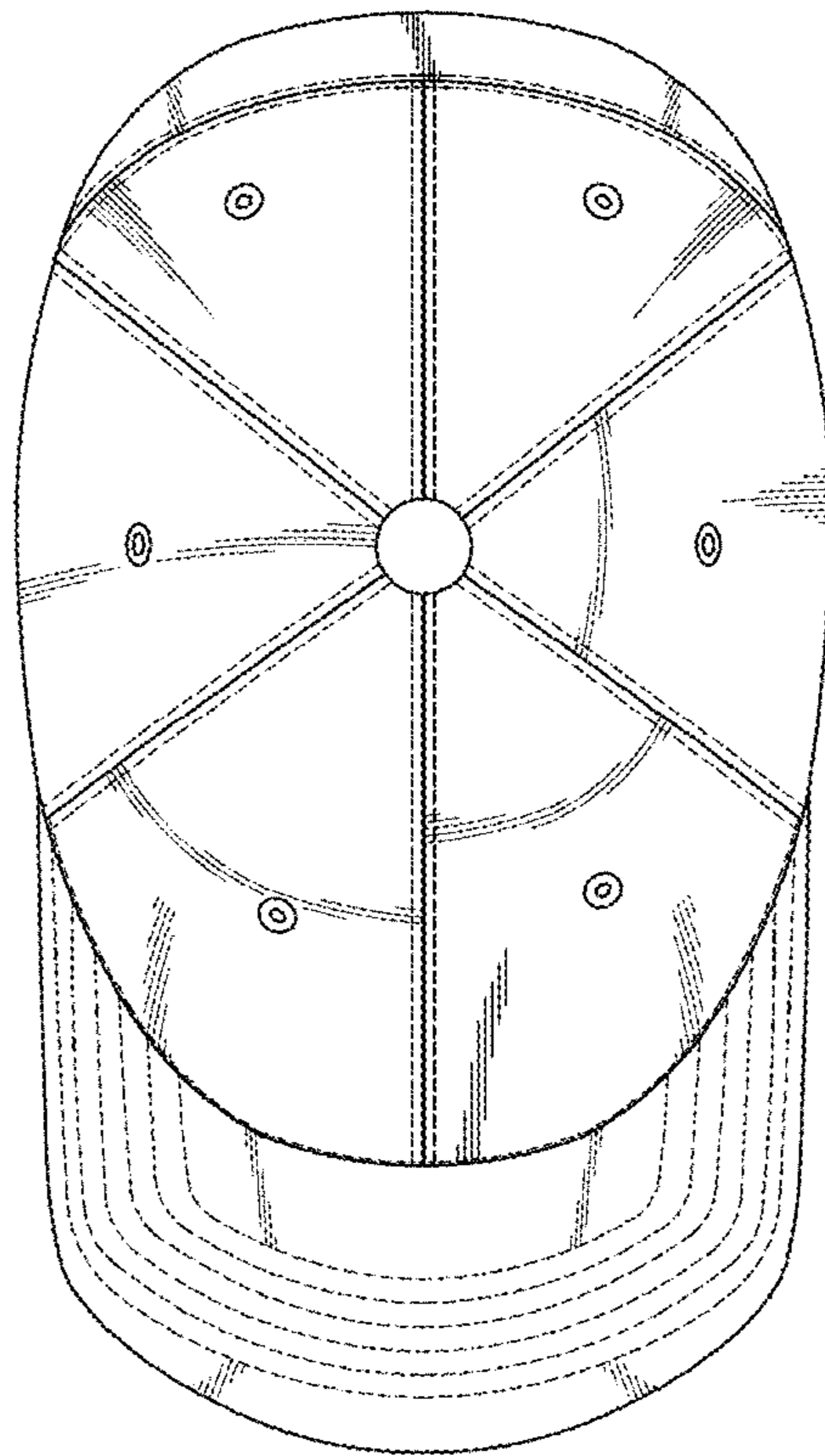


FIG. 7

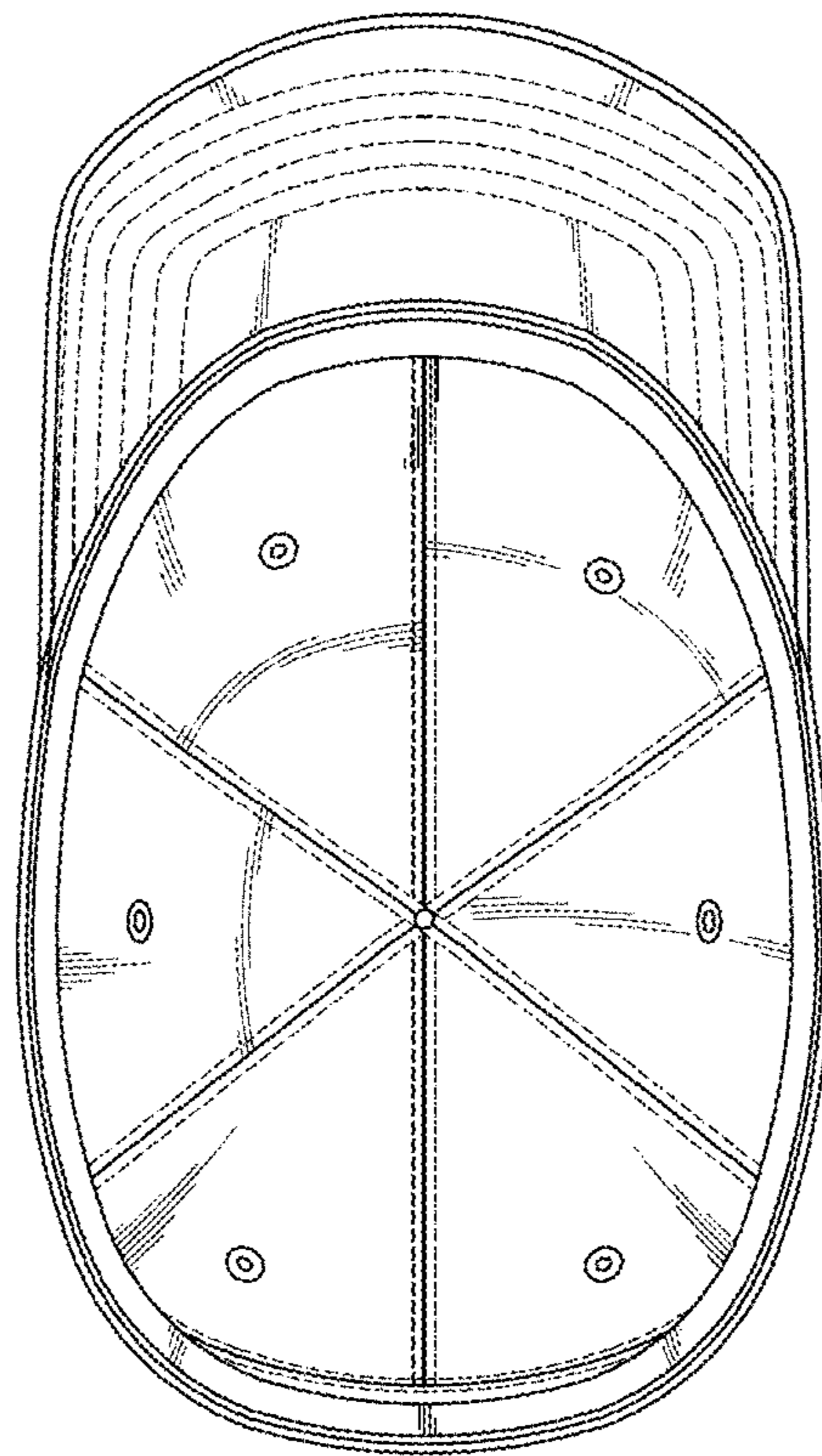




FIG. 8

