



US00D704917S

(12) **United States Design Patent**
Albuja

(10) **Patent No.:** **US D704,917 S**

(45) **Date of Patent:** **** May 20, 2014**

(54) **ANIMAL TREAT**

(71) Applicant: **Societe des Produits Nestle S.A.**, St. Louis, MO (US)

(72) Inventor: **Mario Guillermo Albuja**, Eureka, MO (US)

(73) Assignee: **Societe des Produits Nestle S. A.**, Vevey (CH)

(**) Term: **14 Years**

(21) Appl. No.: **29/456,581**

(22) Filed: **May 31, 2013**

(51) **LOC (10) Cl.** **01-01**

(52) **U.S. Cl.**
USPC **D1/125**

(58) **Field of Classification Search**
USPC D1/100-130, 199; 426/2, 89, 92, 104, 426/635, 805; D30/160; D24/102, 103; D25/119-135; 119/706-711; D34/28, D34/29

See application file for complete search history.

(56) **References Cited**

U.S. PATENT DOCUMENTS

| | | | | |
|-----------|-----|---------|-----------------|----------|
| 414,090 | A * | 10/1889 | Taylor | 72/468 |
| 3,344,457 | A * | 10/1967 | Grobert | 15/207.2 |
| 6,117,477 | A | 9/2000 | Paluch | |
| 6,138,314 | A * | 10/2000 | Schiff et al. | 15/167.1 |
| D459,571 | S | 7/2002 | Borland et al. | |
| D486,621 | S | 2/2004 | Speck et al. | |
| D492,836 | S * | 7/2004 | Lawrenson | D1/199 |
| D511,236 | S | 11/2005 | Crum et al. | |
| D516,276 | S | 3/2006 | Unlu et al. | |
| D517,774 | S | 3/2006 | Jia et al. | |
| D527,164 | S | 8/2006 | Speck et al. | |
| D528,261 | S | 9/2006 | Mendes et al. | |
| D532,583 | S | 11/2006 | Townsend et al. | |

| | | | | |
|-----------|-----|---------|-----------------|--------|
| D534,706 | S | 1/2007 | Cuadrado | |
| D535,082 | S | 1/2007 | Adkins | |
| D538,506 | S | 3/2007 | Mendes et al. | |
| D538,507 | S * | 3/2007 | Tansey et al. | D1/125 |
| D575,612 | S * | 8/2008 | Clampitt et al. | D8/83 |
| D585,177 | S | 1/2009 | Wylie | |
| D586,534 | S | 2/2009 | Oelsner et al. | |
| D591,926 | S * | 5/2009 | Jia et al. | D1/125 |
| D593,277 | S | 6/2009 | Wylie | |
| D603,134 | S * | 11/2009 | Powell | D1/199 |
| D603,135 | S * | 11/2009 | Unlu et al. | D1/199 |
| D603,136 | S | 11/2009 | Unlu et al. | |
| D609,477 | S * | 2/2010 | Leppert | D5/99 |
| D614,830 | S | 5/2010 | Unlu et al. | |
| D618,428 | S | 6/2010 | Unlu et al. | |
| D649,740 | S | 12/2011 | Bredin et al. | |
| 8,124,156 | B2 | 2/2012 | Axelrod | |
| D658,347 | S | 5/2012 | Maia | |

(Continued)

FOREIGN PATENT DOCUMENTS

| | | | |
|----|------------|----|---------|
| WO | 2005084243 | A2 | 9/2005 |
| WO | 2012156674 | A1 | 11/2012 |

Primary Examiner — Deanna L Pratt

Assistant Examiner — Katie Mroczka

(74) *Attorney, Agent, or Firm* — Holland & Hart LLP

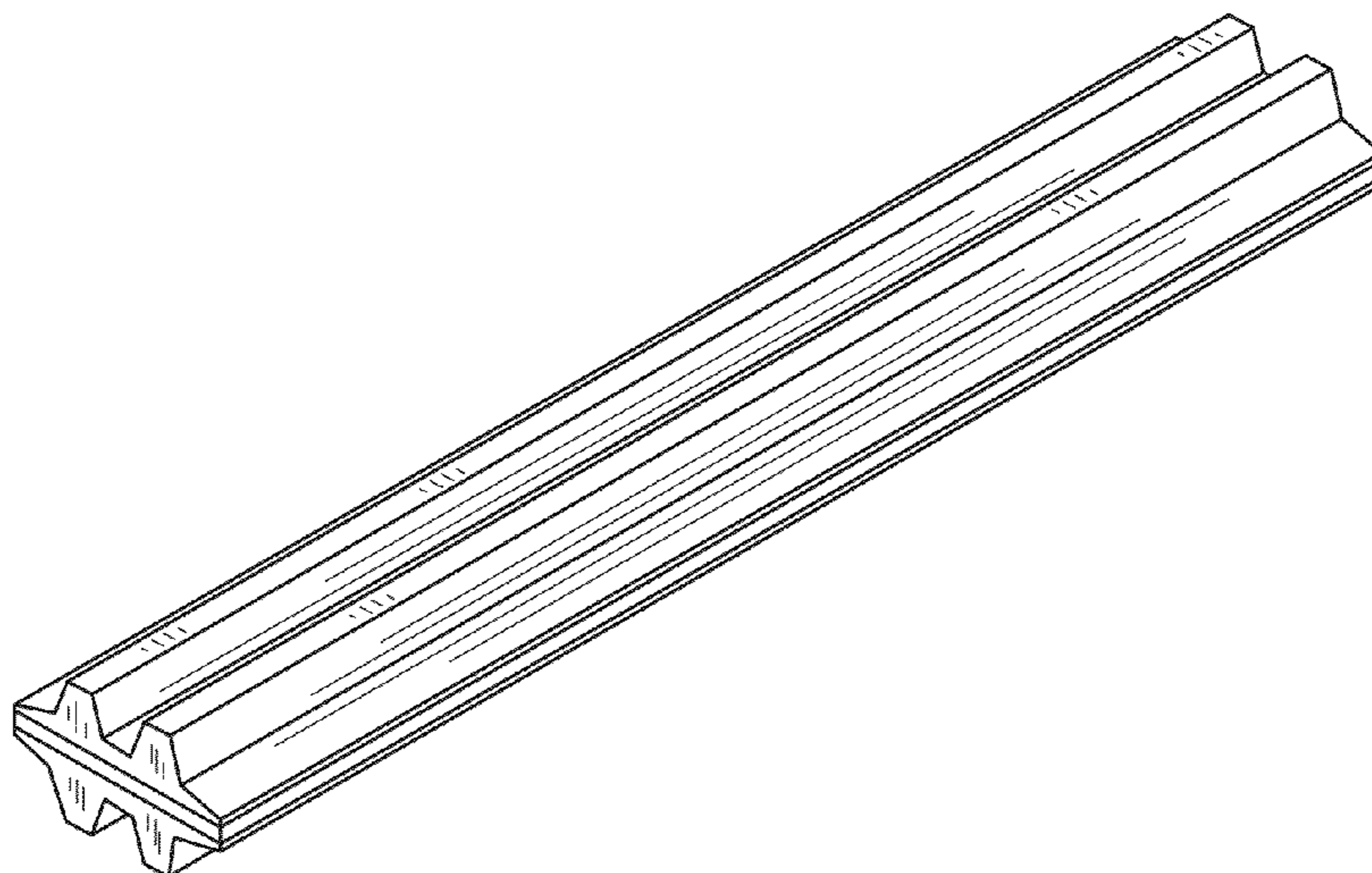
(57) **CLAIM**

The ornamental design for an animal treat, as shown and described.

DESCRIPTION

FIG. 1 is a perspective view of the animal treat, showing my new design;
FIG. 2 is a top view of the design illustrated in FIG. 1, the bottom view being a mirror image thereof;
FIG. 3 is a left end view of the design illustrated in FIG. 1, the right end view being a mirror image thereof; and,
FIG. 4 is a front view of the design illustrated in FIG. 1, the rear view being a mirror image thereof.

1 Claim, 2 Drawing Sheets



(56)

References Cited

U.S. PATENT DOCUMENTS

D658,847 S 5/2012 Wylie
D658,848 S 5/2012 Wylie
D661,867 S 6/2012 Wolfe, Jr. et al.

D661,868 S * 6/2012 Takeda et al. D1/199
D662,940 S * 7/2012 Magnusson D14/451
D683,517 S * 6/2013 Tansey et al. D1/125
2010/0260905 A1 10/2010 Axelrod

* cited by examiner

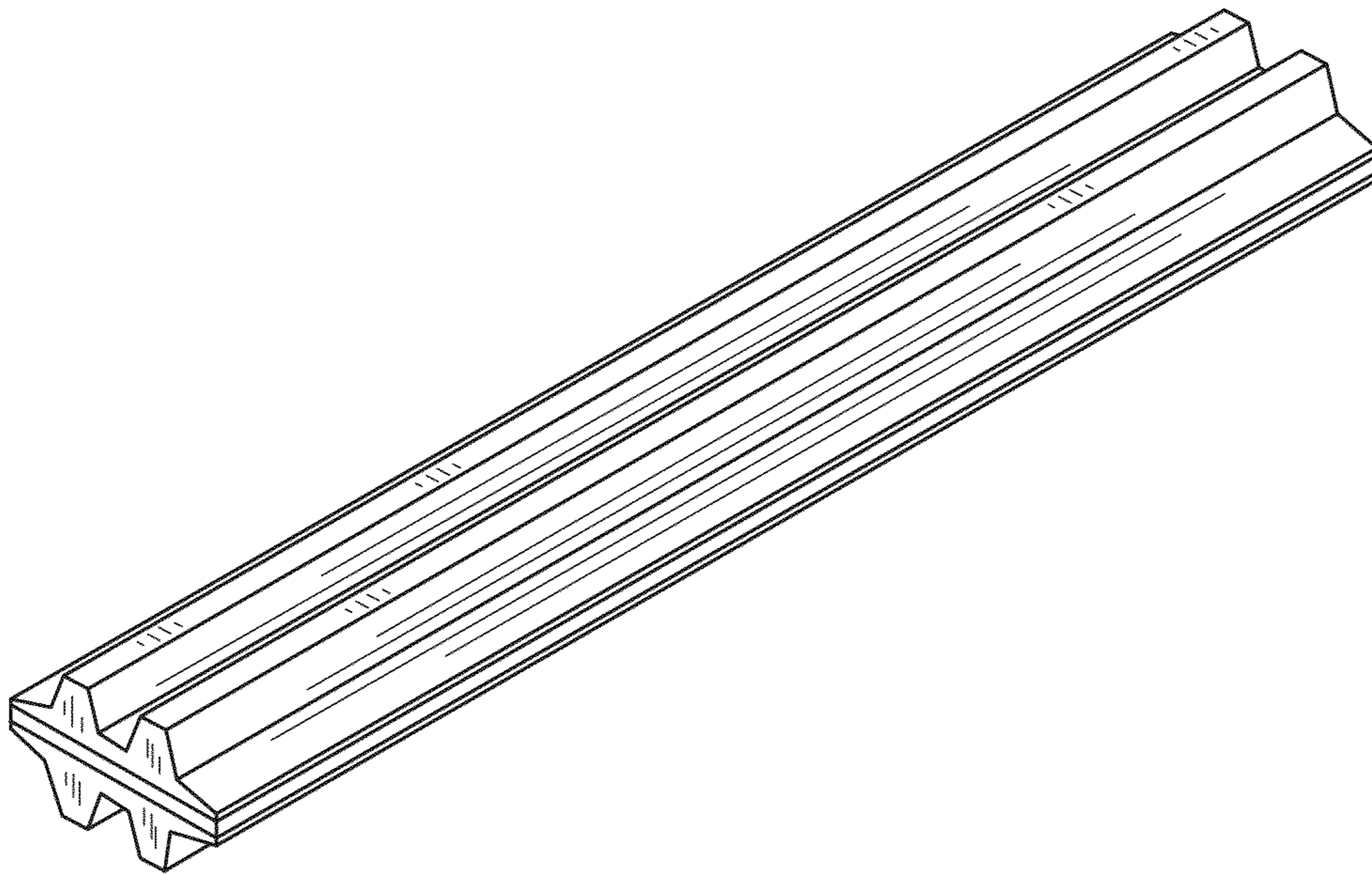


FIG.1

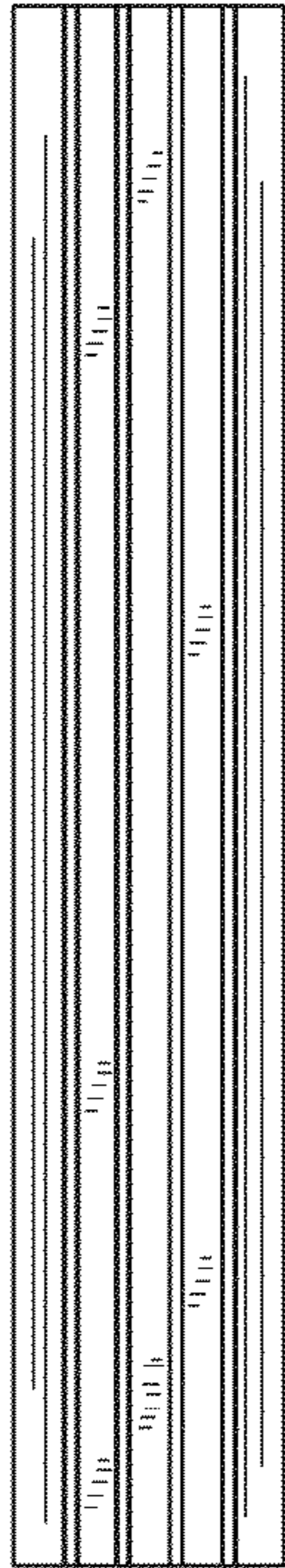


FIG. 2

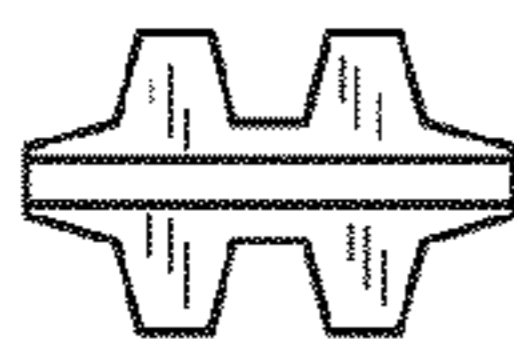


FIG. 3



FIG. 4