



US00D704916S

(12) **United States Design Patent**
Toschi

(10) **Patent No.:** **US D704,916 S**

(45) **Date of Patent:** **** May 20, 2014**

(54) **ICE CREAM ON A STICK**

(71) Applicant: **Toschi Vignola S.R.L.**, Savignano Sul
Panaro (IT)

(72) Inventor: **Massimo Toschi**, Campiglio di Vignola
(IT)

(73) Assignee: **Toschi Vignola S.R.L.**, Savignano Sul
Panaro (Modena) (IT)

(**) Term: **14 Years**

(21) Appl. No.: **29/439,077**

(22) Filed: **Dec. 6, 2012**

(30) **Foreign Application Priority Data**

Aug. 7, 2012 (EM) 002078365-0002

(51) **LOC (10) Cl.** **01-01**

(52) **U.S. Cl.**
USPC **D1/102**

(58) **Field of Classification Search**
USPC D1/100-130, 199; 426/94, 138, 143,
426/275, 277, 279, 281-284, 292, 295, 391,
426/496, 514, 566, 572, 660, 134; 249/92
See application file for complete search history.

(56) **References Cited**

U.S. PATENT DOCUMENTS

1,593,858 A * 7/1926 Venable 294/5.5
2,469,589 A * 5/1949 Barricini 426/104
2,521,995 A * 9/1950 Priddy 426/481
D246,207 S * 11/1977 Dee D1/104

4,139,644 A * 2/1979 Stephenson 426/134
D284,324 S * 6/1986 Reynolds D1/102
D359,153 S * 6/1995 Viggiano D1/102
5,489,444 A * 2/1996 Farris 426/421
D368,151 S * 3/1996 Kellogg et al. D1/102
D387,491 S * 12/1997 Hester D28/68
D390,335 S * 2/1998 Carrick et al. D1/102
D418,964 S * 1/2000 Biton D1/120
D447,835 S * 9/2001 Whitaker et al. D28/8.1
D483,547 S * 12/2003 Norton D1/127
D490,963 S * 6/2004 Benson et al. D1/102
D490,964 S * 6/2004 Benson et al. D1/102
D491,337 S * 6/2004 Benson et al. D1/102
D544,177 S * 6/2007 Beecham D1/127
D650,557 S * 12/2011 Gonzalez D1/130
2007/0254071 A1 * 11/2007 Rosskam et al. 426/95

* cited by examiner

Primary Examiner — Deanna L Pratt

Assistant Examiner — Katie Mroczka

(74) *Attorney, Agent, or Firm* — Volpe and Koenig, P.C.

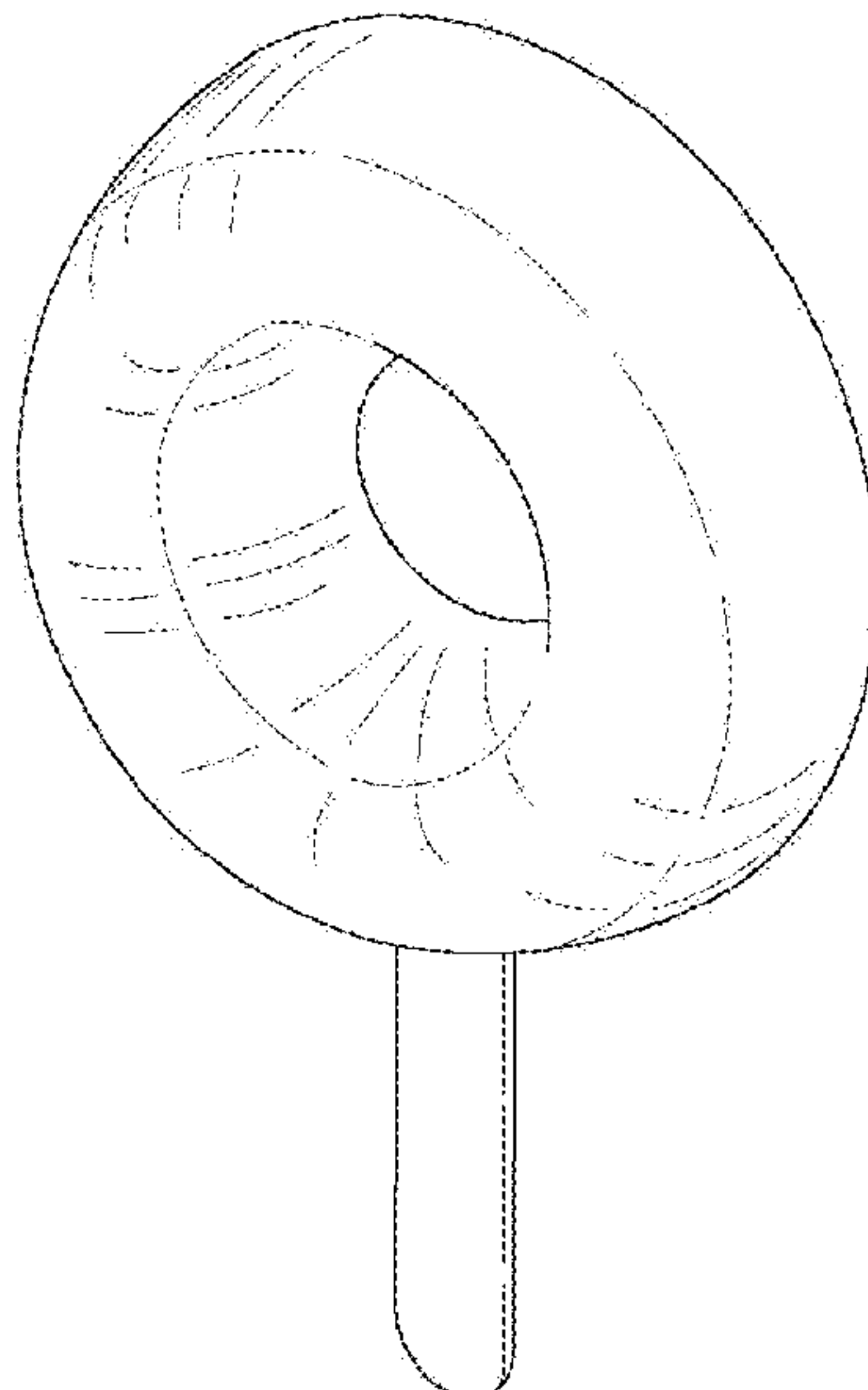
(57) **CLAIM**

The ornamental design for ice cream on a stick, as shown and described.

DESCRIPTION

FIG. 1 is a front perspective view from above and one side of an ice cream on a stick of the present design;
FIG. 2 is a front view thereof;
FIG. 3 is a rear view thereof;
FIG. 4 is a side view thereof;
FIG. 5 is a side view opposite that of FIG. 4;
FIG. 6 is a top plan view thereof; and,
FIG. 7 is a bottom plan view thereof.

1 Claim, 7 Drawing Sheets



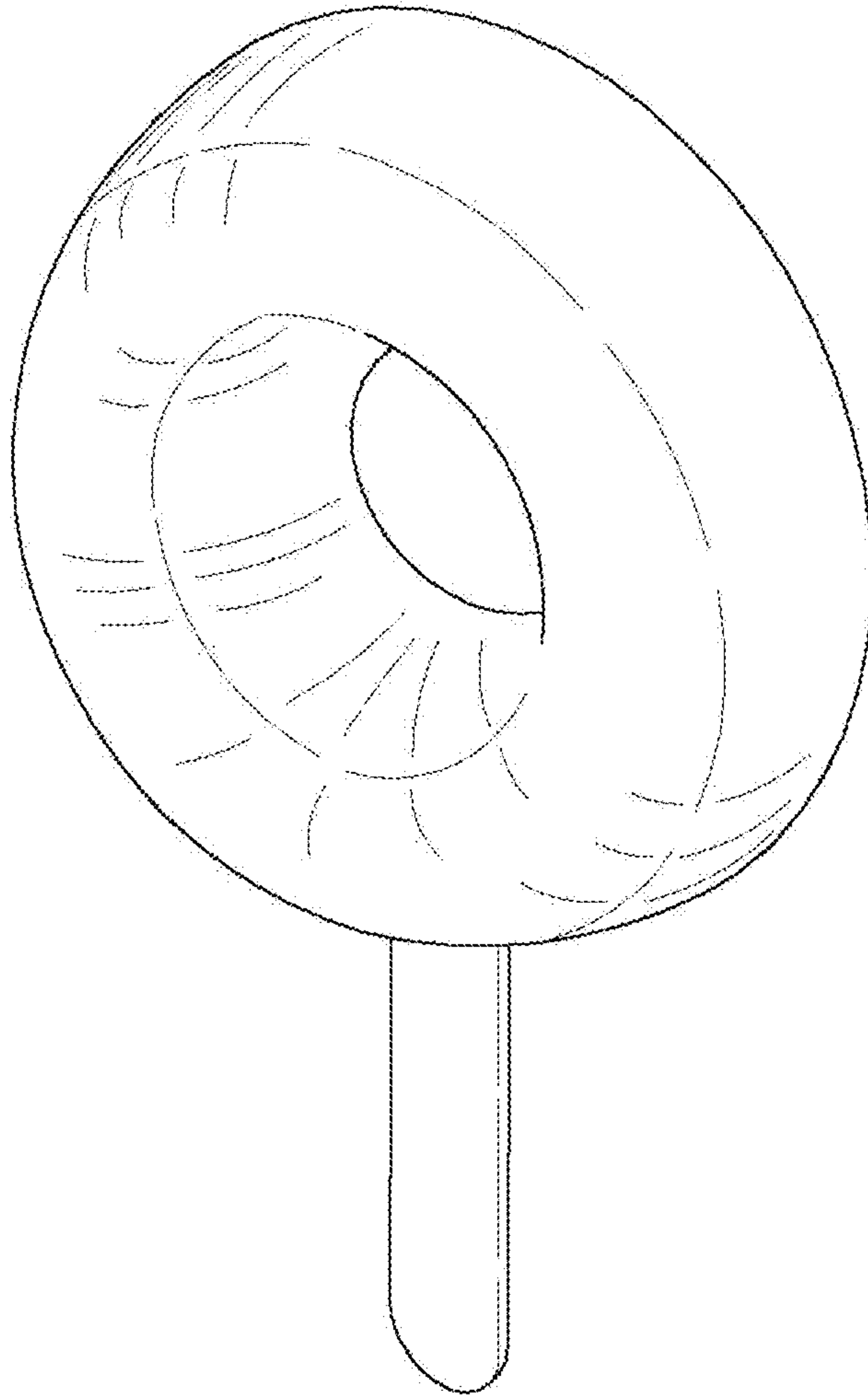


FIG. 1

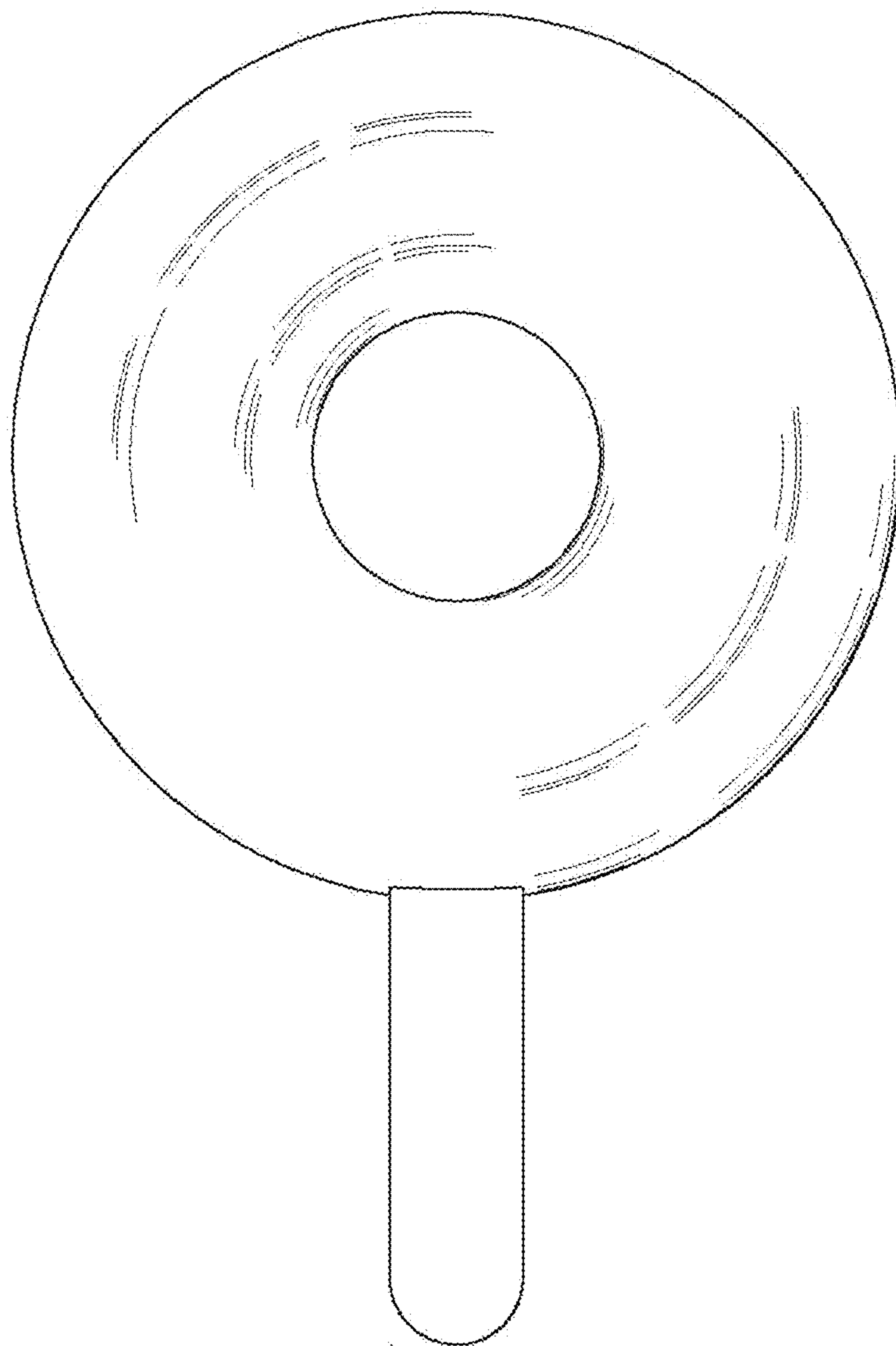


Fig. 2

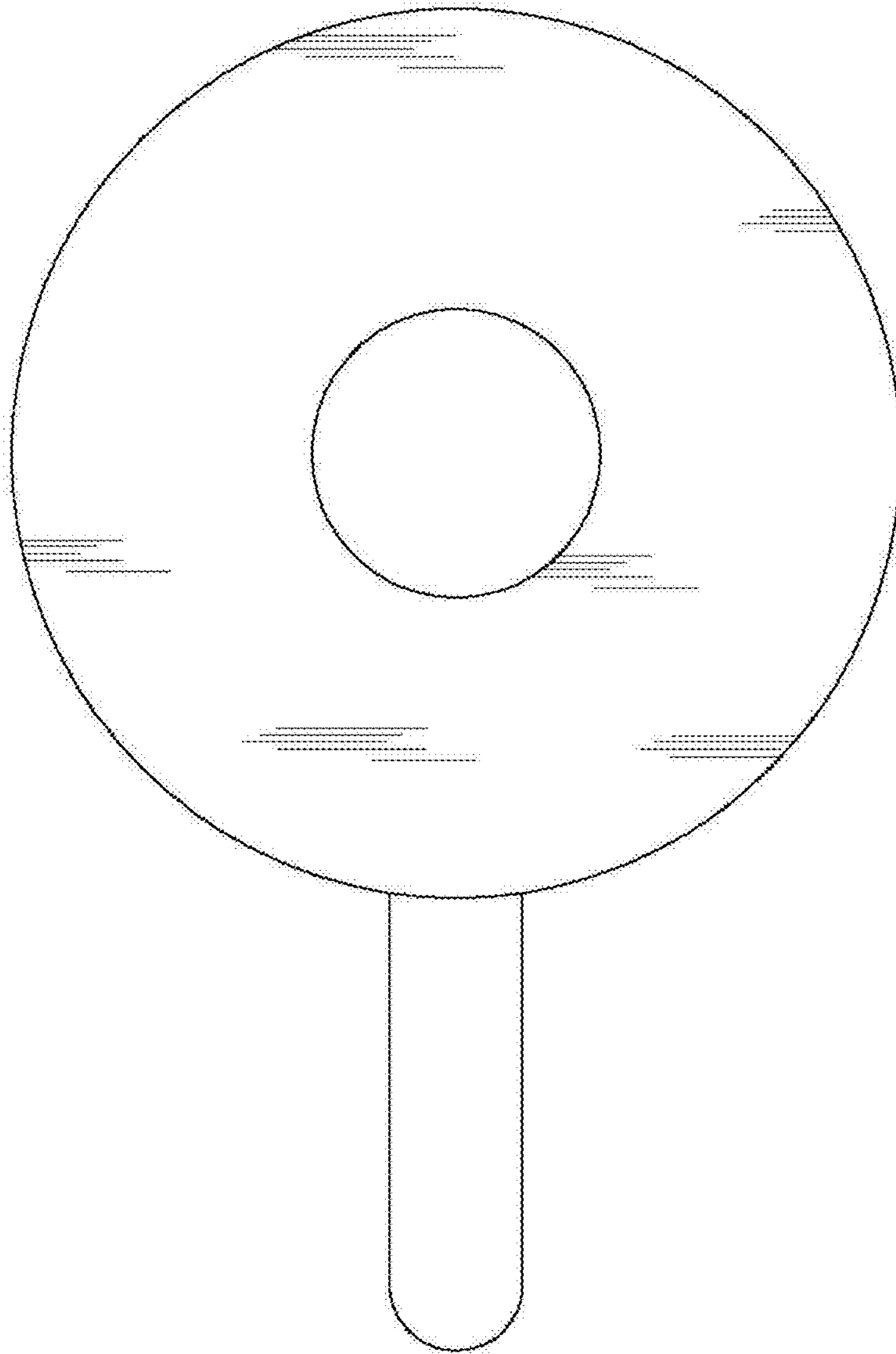


Fig. 3

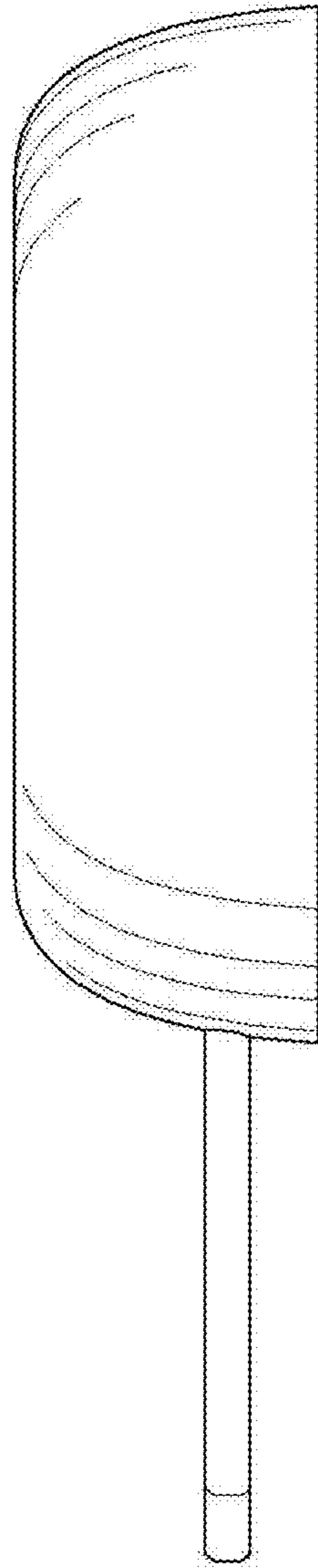


Fig. 4

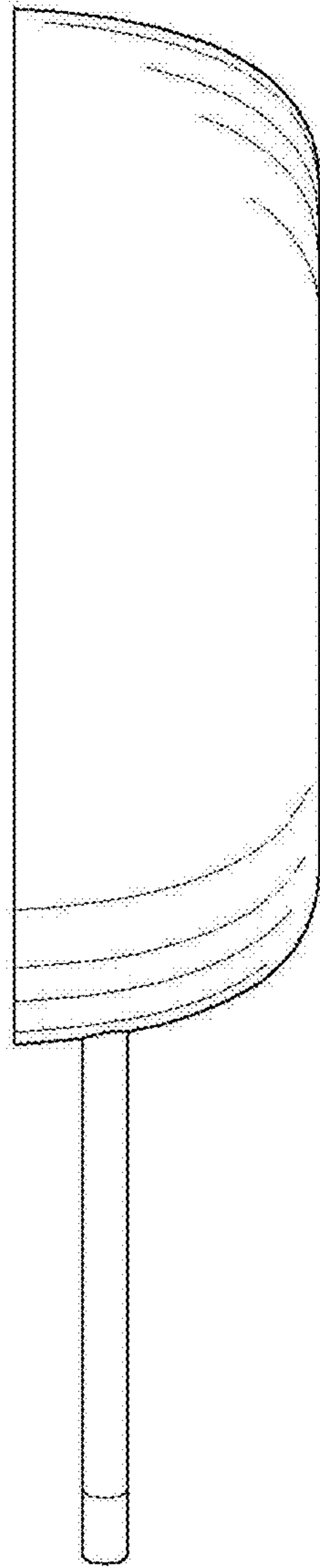


Fig. 5

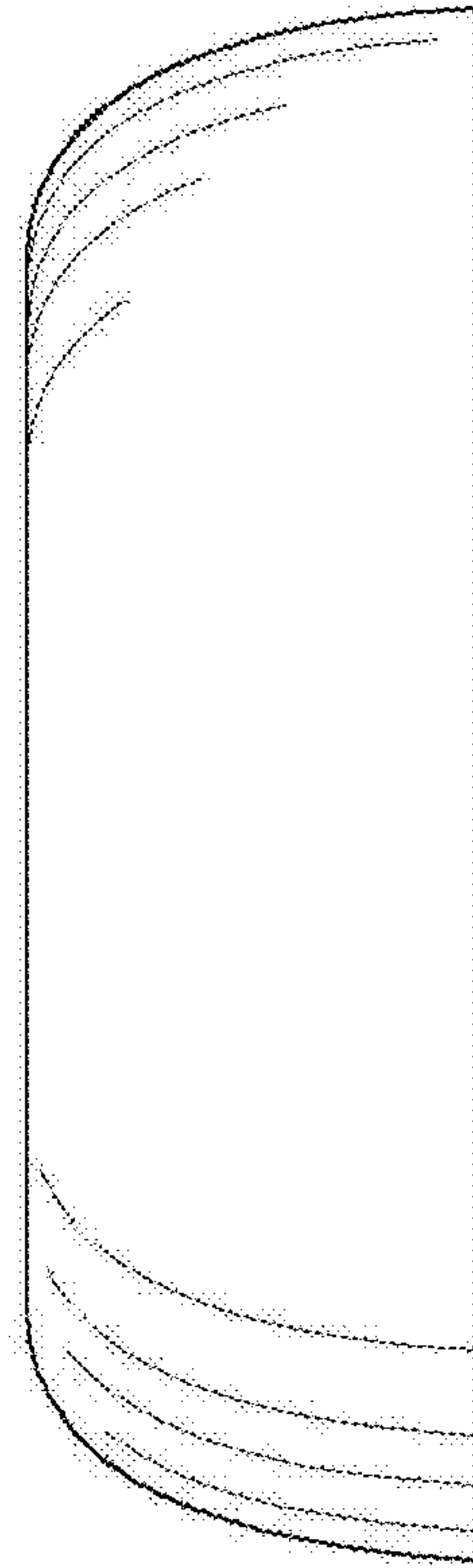


Fig. 6

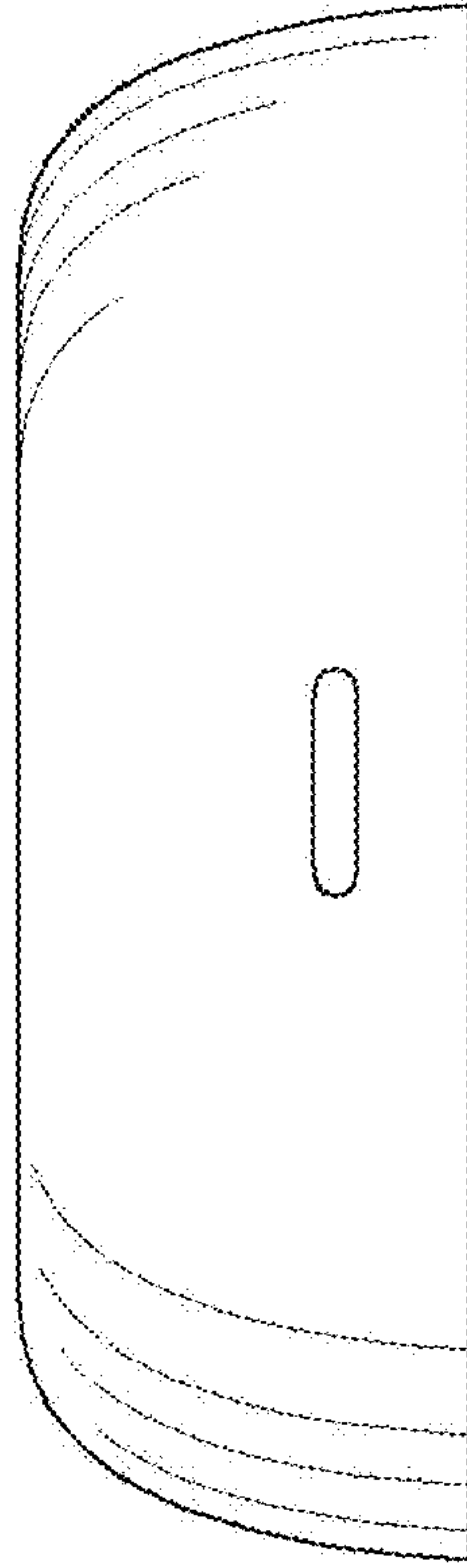


Fig. 7