



US00D704914S

(12) **United States Design Patent**
Campbell et al.

(10) **Patent No.:** **US D704,914 S**
(45) **Date of Patent:** **** May 13, 2014**

(54) **MAST LIFT BASE**
(71) Applicant: **JLG Industries, Inc.**, McConnellsburg,
PA (US)
(72) Inventors: **Geoffrey George Campbell**, Kensington
(AU); **Hugh Lithgow Stark**, Kareela
(AU); **Alexander (Sandy) McKechnan**
Hardie McNeil, Kensington (AU);
Frank Fornasari, Kensington (AU)

2,370,834 A 3/1945 Ball
2,752,263 A 6/1956 Pierce
2,907,477 A 10/1959 Coleman
2,938,595 A 5/1960 Miller
2,959,791 A 11/1960 Ramsey
2,989,140 A 6/1961 Hill et al.
3,115,211 A * 12/1963 Ostrander, Jr. 182/103
3,294,182 A 12/1966 Filander et al.
3,313,376 A 4/1967 Holland, Sr.
3,737,007 A * 6/1973 Herrell 182/210
3,752,263 A * 8/1973 Thevenot 182/148

(Continued)

(73) Assignee: **JLG Industries, Inc.**, McConnellsburg,
PA (US)

FOREIGN PATENT DOCUMENTS

(**) Term: **14 Years**

AU 725451 10/2000
DE 2 029 352 12/1971

(21) Appl. No.: **29/452,154**

(Continued)

(22) Filed: **Apr. 12, 2013**

Primary Examiner — Cynthia Ramirez

(74) *Attorney, Agent, or Firm* — Nixon & Vanderhye P.C.

Related U.S. Application Data

(63) Continuation-in-part of application No. 12/293,759,
filed as application No. PCT/US2007/007060 on Mar.
22, 2007, now Pat. No. 8,505,688.

(51) **LOC (10) Cl.** **12-05**

(52) **U.S. Cl.**
USPC **D34/28**

(58) **Field of Classification Search**
USPC D34/28, 35; 280/43.23; 182/1, 2.1, 2.9,
182/2.11, 69.6, 16, 63.1, 141, 142, 148,
182/149, 150, 183.1

See application file for complete search history.

(56) **References Cited**

U.S. PATENT DOCUMENTS

460,647 A * 10/1891 Mills 182/103
788,992 A * 5/1905 Bauer 182/103
1,128,569 A 2/1915 Arnold
1,744,976 A 1/1930 Levedahl
1,887,965 A 11/1932 Stoner

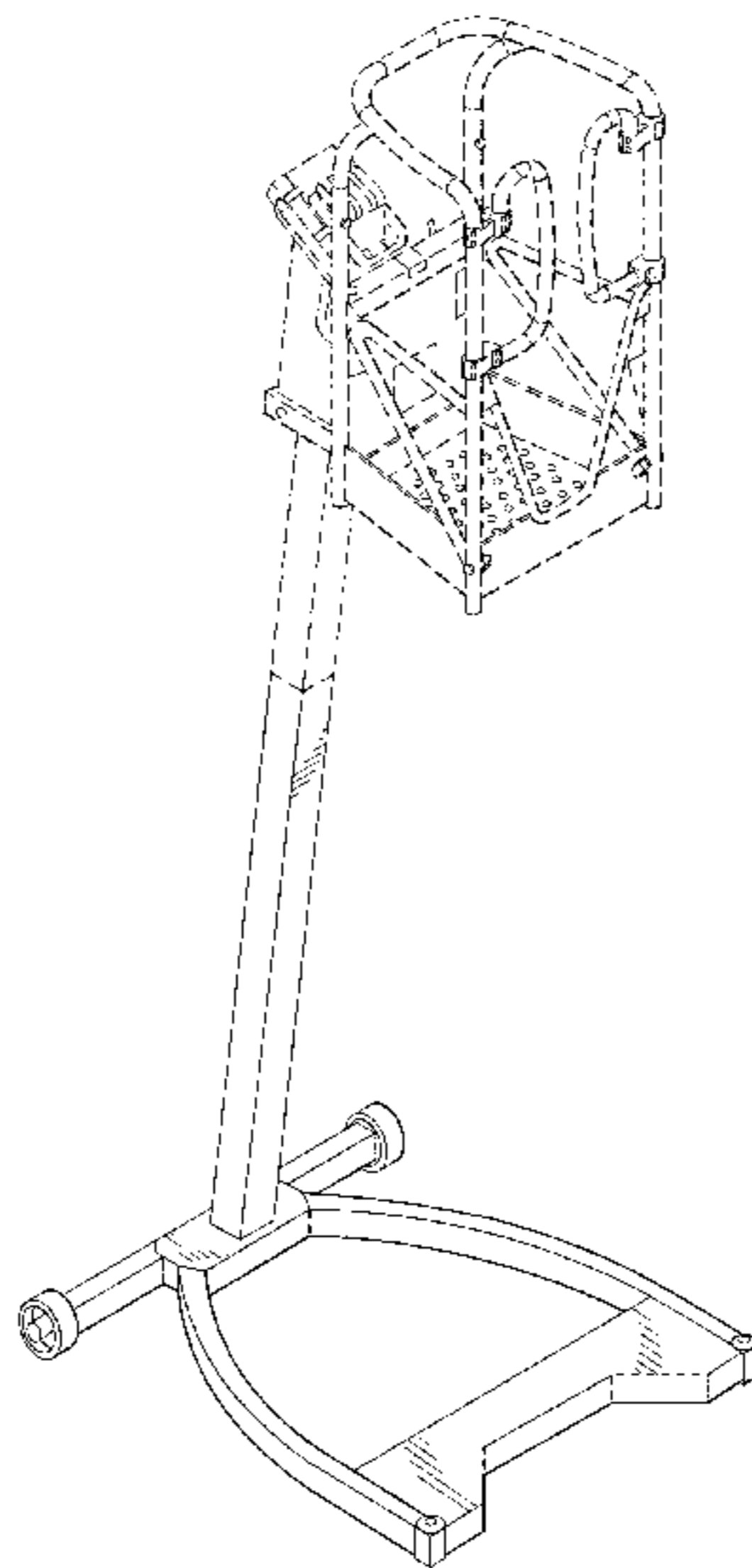
(57) **CLAIM**

The ornamental design for a mast lift base, as shown and
described.

DESCRIPTION

FIG. 1 is a front perspective view of the mast lift base accord-
ing to the present invention with the platform in a raised
position;
FIG. 2 is a rear perspective view thereof with the platform in
a lowered position;
FIG. 3 is a side view thereof;
FIG. 4 is a front view thereof;
FIG. 5 is a rear view thereof;
FIG. 6 is a top view thereof; and,
FIG. 7 is a bottom view thereof.
The portions of the figures shown in dashed lines are for
illustrative purposes only and form no part of the claimed
design.

1 Claim, 6 Drawing Sheets



(56)

References Cited

U.S. PATENT DOCUMENTS

3,877,543 A 4/1975 Iwata
 3,934,681 A 1/1976 Herrell
 4,015,686 A 4/1977 Bushnell, Jr.
 4,049,081 A * 9/1977 McDonald et al. 182/148
 4,183,423 A * 1/1980 Lewis 182/103
 4,194,591 A * 3/1980 Fisher 182/17
 4,222,140 A 9/1980 Olewinski et al.
 4,269,285 A 5/1981 Ohkoshi et al.
 4,421,209 A 12/1983 Vermette et al.
 4,427,093 A 1/1984 Wehmeyer et al.
 4,427,094 A * 1/1984 Winkelblech 187/233
 4,484,663 A 11/1984 Wyse
 4,488,689 A 12/1984 Councilman
 4,512,440 A * 4/1985 Bixby 182/146
 4,592,447 A * 6/1986 Ream et al. 182/127
 4,645,181 A 2/1987 Schapansky
 4,653,653 A 3/1987 Scott
 4,655,103 A 4/1987 Schreiber et al.
 4,809,572 A 3/1989 Sasaki
 5,044,473 A * 9/1991 Gripe 187/244
 5,111,907 A 5/1992 Kishi
 5,113,969 A * 5/1992 Drolet et al. 182/2.11
 5,143,181 A 9/1992 Bixby
 5,180,042 A 1/1993 Ogiso
 5,203,425 A 4/1993 Wehmeyer
 5,273,132 A 12/1993 Sasaki et al.
 5,313,765 A 5/1994 Martin
 5,425,433 A 6/1995 Huber
 5,522,583 A 6/1996 Martin
 5,588,496 A 12/1996 Elger

5,595,265 A 1/1997 Lebrocquy
 5,755,306 A * 5/1998 Kraemer et al. 182/148
 5,762,556 A 6/1998 Kurian
 5,803,204 A 9/1998 White et al.
 5,850,892 A * 12/1998 Citron et al. 182/148
 D407,999 S 4/1999 Greaves et al.
 5,890,559 A * 4/1999 Busuttill et al. 182/69.6
 5,909,783 A 6/1999 Berish
 5,927,440 A 7/1999 Freeman
 6,095,284 A * 8/2000 Smith 182/103
 6,174,124 B1 1/2001 Haverfield et al.
 6,238,159 B1 5/2001 Pappas
 6,471,004 B2 * 10/2002 Stringer et al. 182/148
 D465,635 S 11/2002 Hong
 6,779,635 B1 8/2004 Anibas
 6,948,392 B2 9/2005 Eckard et al.
 D570,071 S * 5/2008 Campbell et al. D34/28
 7,721,850 B2 * 5/2010 Coble 187/200
 D653,833 S * 2/2012 Thompson et al. D34/28
 2007/0104539 A1 5/2007 Hamilton
 2007/0125599 A1 * 6/2007 Campbell et al. 182/148
 2011/0180349 A1 * 7/2011 Beji 182/148

FOREIGN PATENT DOCUMENTS

EP	0 192 170	8/1986
EP	0 931 757	7/1999
FR	2 081 769	12/1971
GB	905928	9/1962
GB	2 211 237	6/1989
JP	63-258315	10/1988
JP	2002-167140	6/2002

* cited by examiner

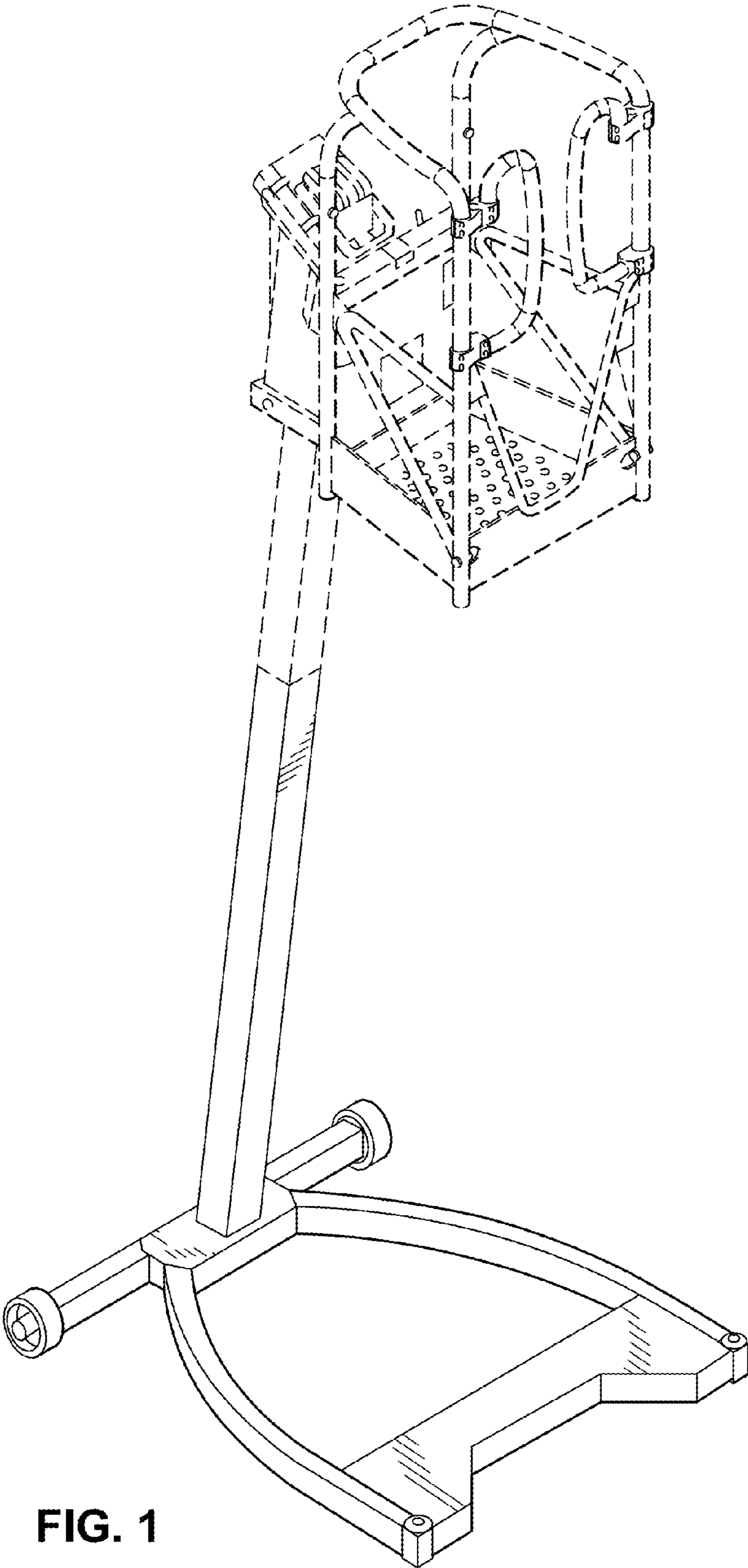


FIG. 1

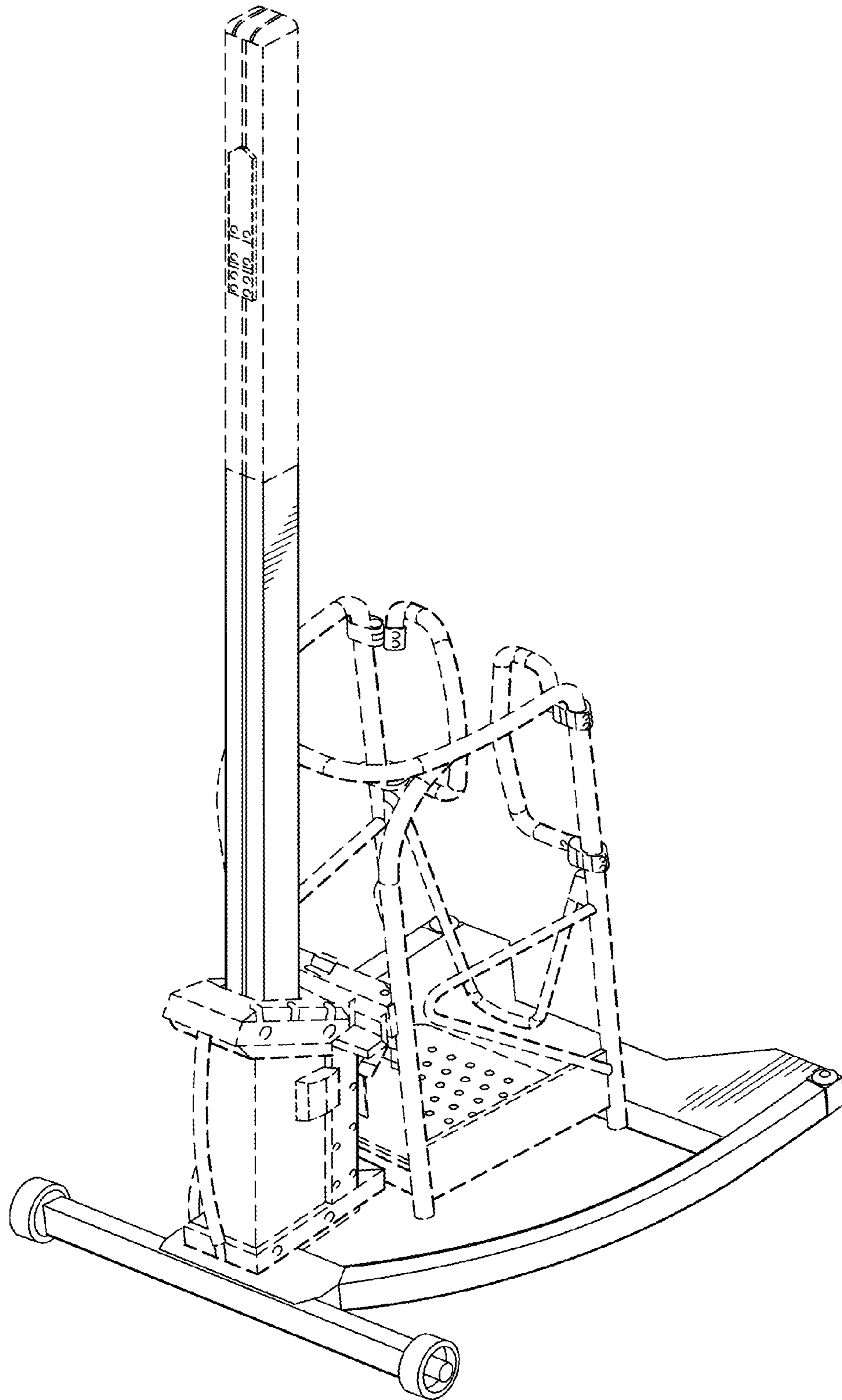


FIG. 2

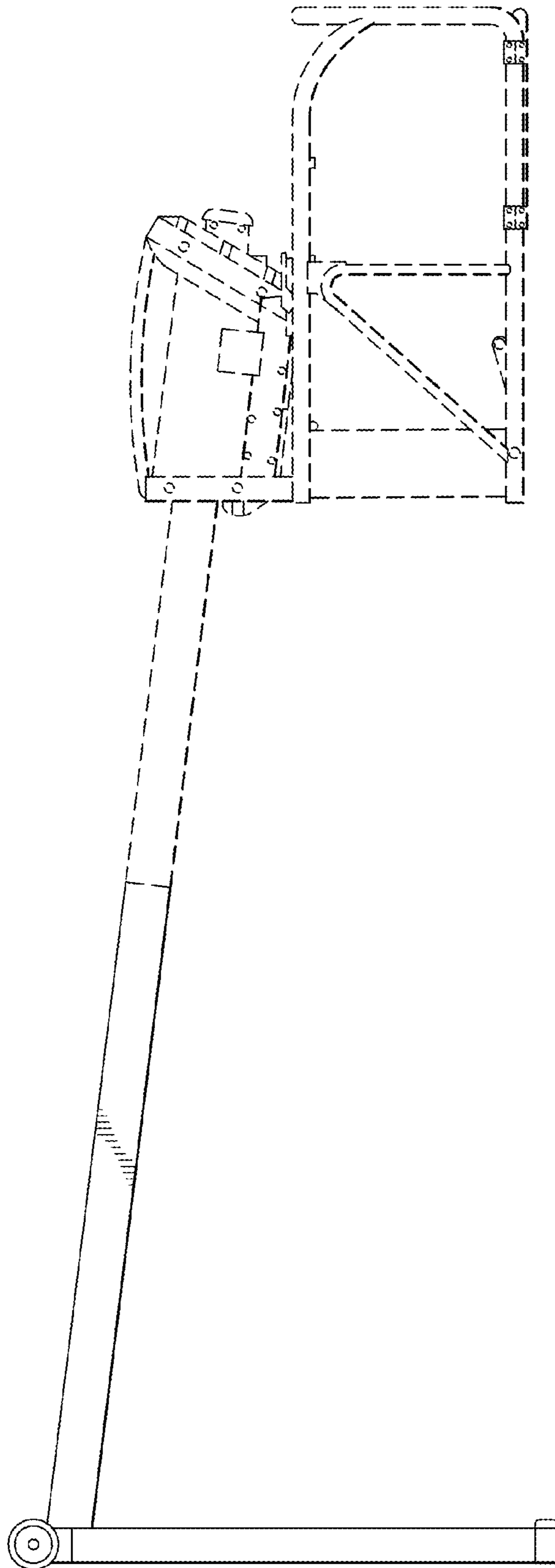


FIG. 3

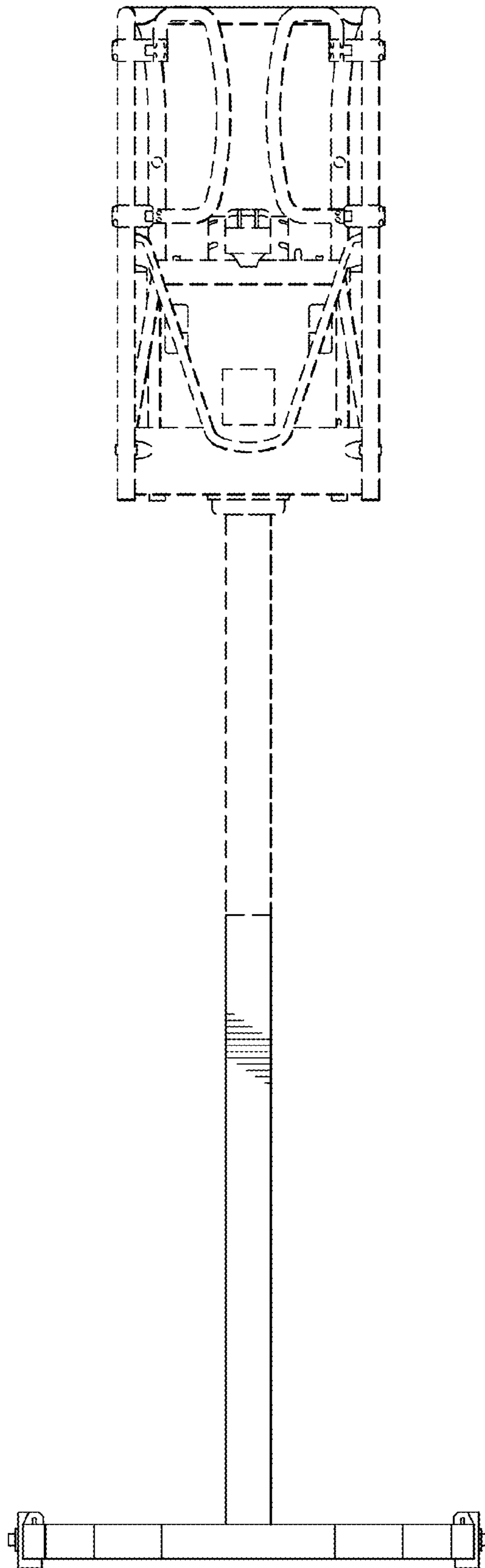


FIG. 4

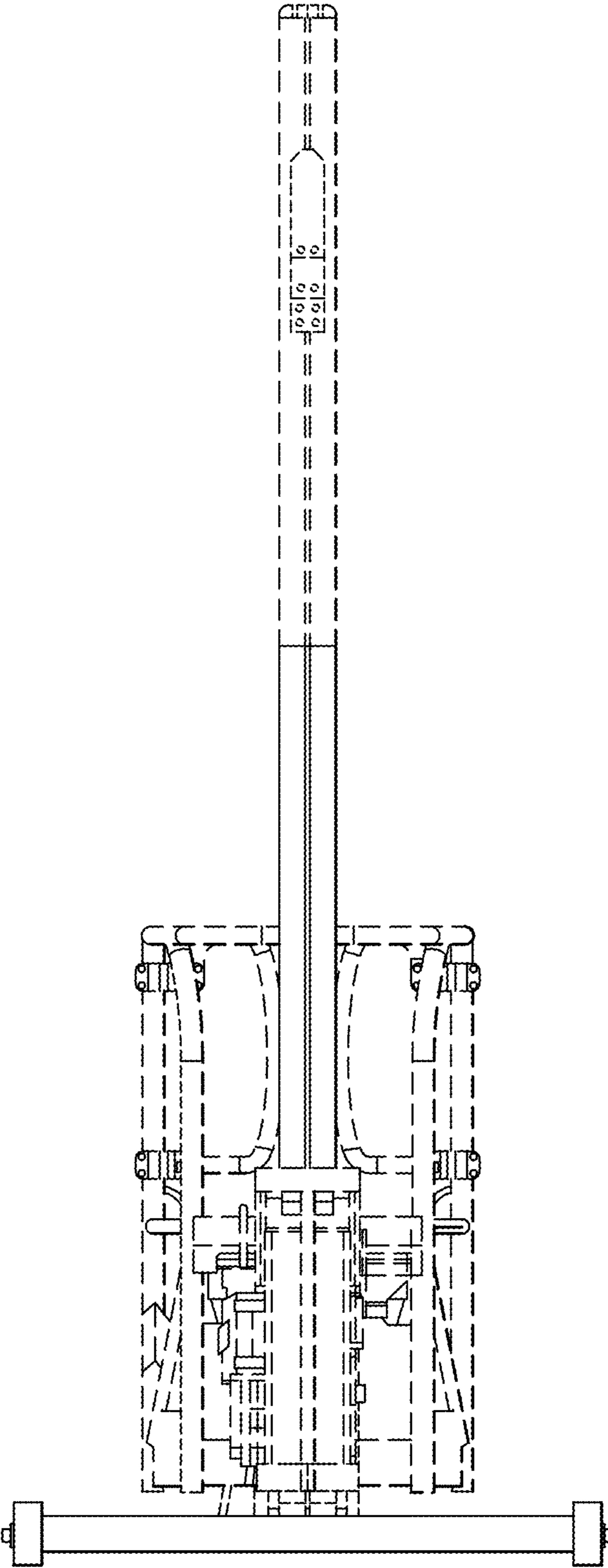


FIG. 5

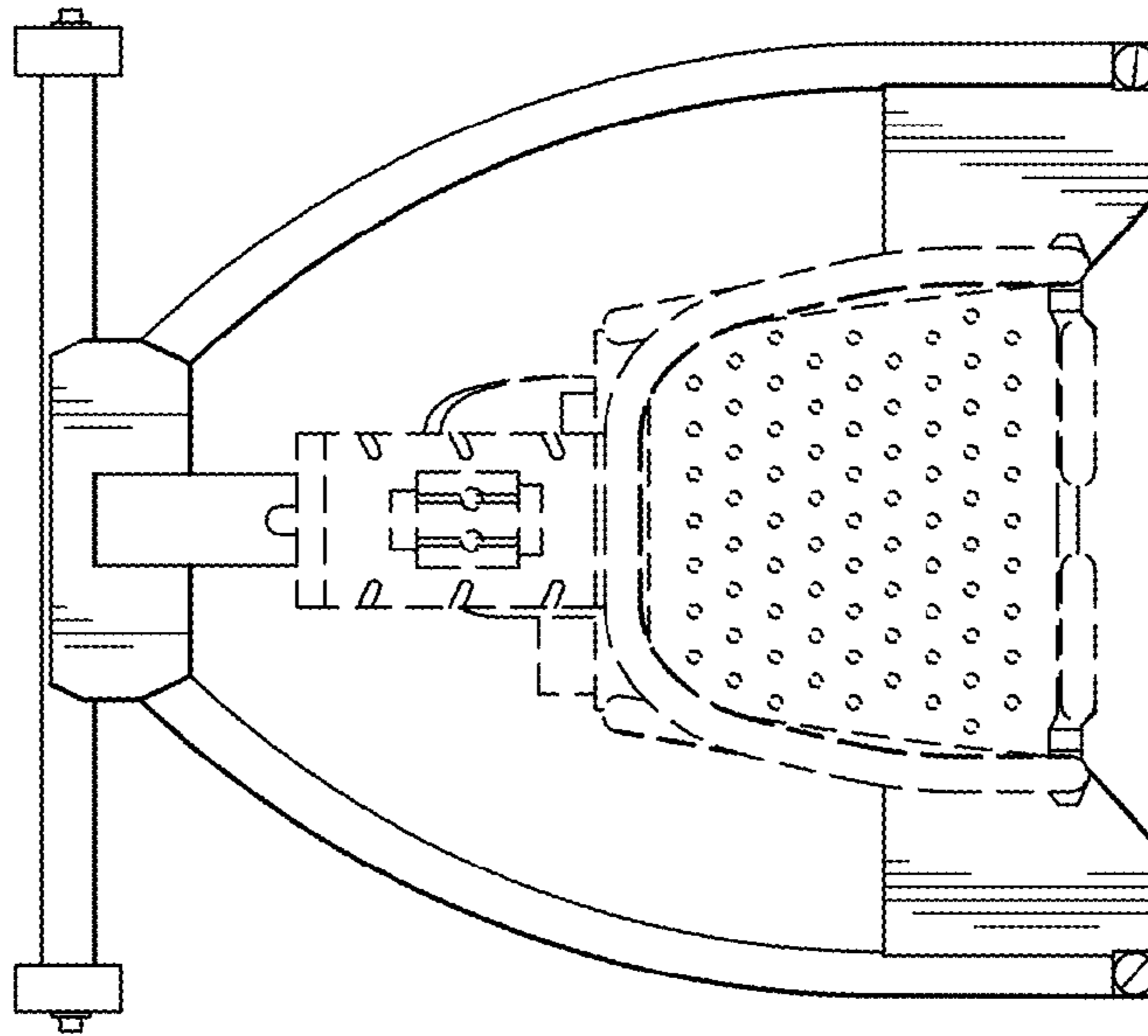


FIG. 6

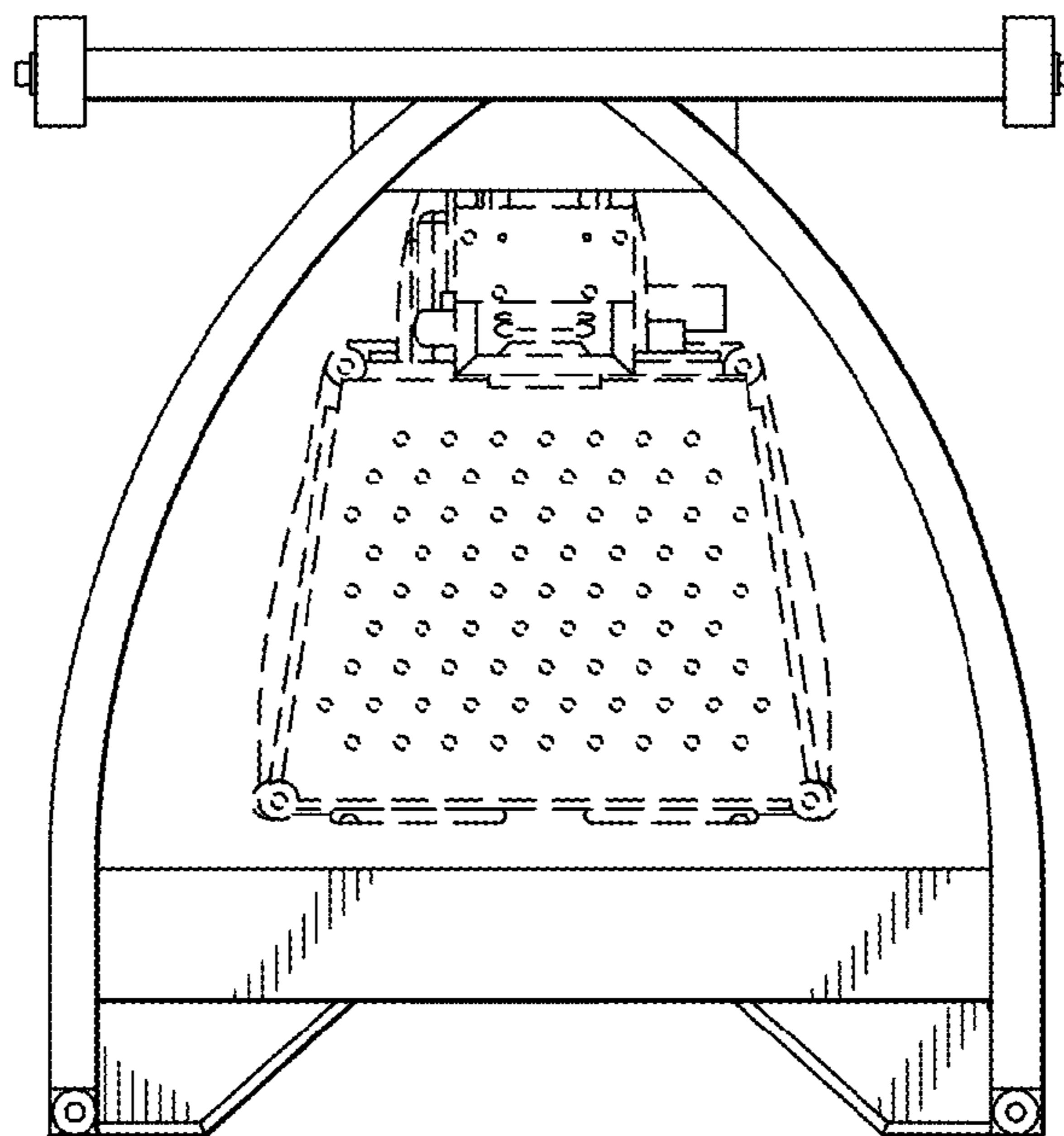


FIG. 7